

FALL ARREST

Safety Harness's	161 - 163
Personal & Tool Lanyards	164 - 165
Life Lines & Lanyards	166 - 167
Roofers Kit	168
Carabiners, O-Ring & Fall Arrest Hooks ..	169 - 171



HARNES - BACK D, 3 ADJUSTMENTS

- 1 attachment on the back
- 3 adjustment points on the chest strap & leg straps
- 2 lanyard parking attachment, breaking under 120 lbs
- Regular mating buckles on the chest strap & leg straps for adjustment
- Two fall indicators on the back torso straps
- Compliant / Certified to ANSI Z359.11-2014 & CSA Z259.10-2018
- Size: Universal
- Capacity: 352 lbs (160 kgs)



Type	Adjustments	Colour	Price	Part Number
Back D, Buckle Leg	3	Yellow / Black Legs	44.40	28-U1301

HARNES - BACK D, 3 ADJUSTMENTS

- 1 attachment on the back
- 3 adjustment points on the chest strap & leg straps
- 2 lanyard parking attachment, breaking under 120 lbs
- Regular mating buckles on the chest strap
- Grommet adjustment on the leg straps
- Two fall indicators on the back torso straps
- Compliant / Certified to ANSI Z359.11-2014 & CSA Z259.10-2018
- Size: Universal
- Capacity: 352 lbs (160 kgs)



Type	Adjustments	Colour	Price	Part Number
Back D, Grommet Leg	3	Yellow / Black Legs	50.43	28-U1301G

HARNESS - BACK D, 5 ADJUSTMENTS



- 1 attachment on the back
- 5 adjustment points on the shoulder straps, chest strap & leg straps
- 2 lanyard parking attachment, breaking under 120 lbs
- Regular mating buckles on the chest strap shoulder straps & leg straps for adjustment
- Two fall indicators on the back torso straps
- Compliant / Certified to ANSI Z359.11-2014 & CSA Z259.10-2018
- Size: Universal
- Capacity: 352 lbs (160 kgs)

Type	Adjustments	Colour	Price	Part Number
Back D, Buckle Leg	5	Yellow / Blue Legs	37.74	28-U1501

HARNESS - BACK D, 5 ADJUSTMENTS

- 1 attachment on the back
- 5 adjustment points on the shoulder straps, chest strap & leg straps
- 2 lanyard parking attachment, breaking under 120 lbs
- Regular mating buckles on the chest strap & shoulder straps for adjustment
- Grommet adjustment on the leg straps
- Two fall indicators on the back torso straps
- Compliant / Certified to ANSI Z359.11-2014 & CSA Z259.10-2018
- Size: Universal
- Capacity: 352 lbs (160 kgs)



Type	Adjustments	Colour	Price	Part Number
Back D, Grommet Leg	5	Yellow / Blue Legs	56.49	28-U1501G

HARNESS - BACK & SIDE D, 5 ADJUSTMENTS

- 3 attachments on the back & waist sides
- 5 adjustment points on shoulder straps, chest strap & leg straps
- 2 lanyard parking attachment, breaking under 120 lbs
- Regular mating buckles on the chest strap, shoulder strap & leg straps for adjustment
- Two fall indicators on the back torso straps
- Compliant / Certified to ANSI Z359.11-2014 & CSA Z259.10-2018
- Size: Universal
- Capacity: 352 lbs (160 kgs)



Type	Adjustments	Colour	Price	Part Number
Back & Side D, Buckle Leg	5	Yellow / Blue Legs	67.02	28-U3501G

LANYARD - SINGLE

- Single Leg internal shock absorbing lanyard
- With two snap hooks
- Classification: 6ft
- Capacity Range: 150 lbs - 310 lbs
- Compliant / Certified to ANSI Z359.13-2013 & CSA Z259.11-2017



Type	Length (ft)	Attachments	Price	Part Number
Single	6	Snap / Snap Hook	54.57	28-EAL0202

LANYARD - SINGLE

- Single Leg internal shock absorbing lanyard
- With one snap hook & one rebar hook
- Classification: 6ft
- Capacity Range: 150 lbs - 310 lbs
- Compliant / Certified to ANSI Z359.13-2013 & CSA Z259.11-2017



Type	Length (ft)	Attachments	Price	Part Number
Single	6	Snap / Rebar Hook	59.67	28-EAL1102

LANYARD - DOUBLE

- Twin Legged external shock absorbing lanyard
- With one snap hook & two rebar hooks
- Classification: 6ft
- Capacity Range: 150 lbs - 310 lbs
- Compliant / Certified to ANSI Z359.13-2013 & CSA Z259.11-2017



Type	Length (ft)	Attachments	Price	Part Number
Double	6	Snap / 2 Rebar Hooks	104.10	28-EAL2101

TOOL LANYARD

- Tool tether with bungee & tubular webbing
- With a screw locking steel carabiner at the end
- Non-stretched length: 38" (97cm)
- Full extended length: 51" (130cm)
- Max. Capacity: 15.0 lbs
- Conforms to ANSI/ISEA 121-2018



Capacity (lb)	Attachment	Price	Part Number
15	Steel Caribiner	6.24	28-TL01-15-03

TOOL LANYARD

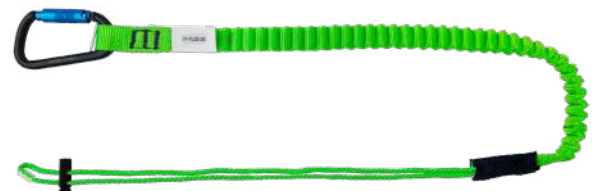


- Tool tether with bungee & tubular webbing
- With a twist locking aluminum carabiner at the end (Yoke N-2301-CP)
- Non-stretched length: 38" (97cm)
- Full extended length: 51" (130cm)
- Max. Capacity: 15.0 lbs
- Conforms to ANSI/ISEA 121-2018

Capacity (lb)	Attachment	Price	Part Number
15	Aluminum Caribiner	16.65	28-TL01-15-01

TOOL LANYARD

- Tool tether with bungee & tubular webbing
- With a twist locking aluminum carabiner with pin (Yoke N-2301-CP)
- Non-stretched length: 38" (97cm)
- Full extended length: 51" (130cm)
- Max. Capacity: 30.0 lbs
- Conforms to ANSI/ISEA 121-2018



Capacity (lb)	Attachment	Price	Part Number
30	Aluminum Caribiner	18.03	28-TL02-30

LIFELINE - VERTICAL ROPE, SNAP HOOK

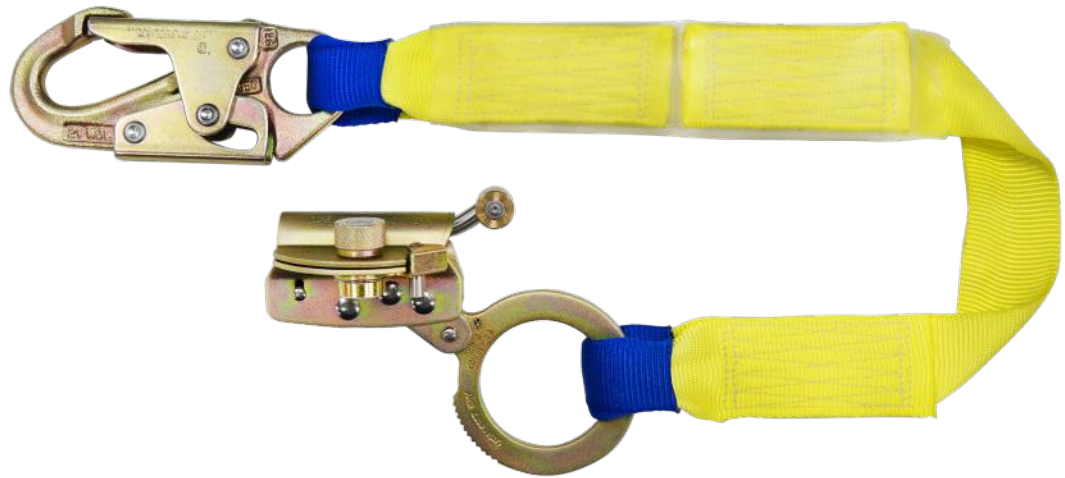
- 5/8" (16 mm) diameter polyester/polypropylene blend
- Built-in self locking snap hook at one end
- Protective PVC shrink tubing protects splice area
- Elongation under 8kn (1800lbs) load: 8%
- Meets and exceeds CSA Z259.2.5 & ANSI Z359.15
- Minimum Breaking Strength: 27 kN (6 000 lb)



Type	Length (ft)	Attachments	Price	Part Number
Single	100	Snap Hook	108.45	28-VLL0100
Single	50	Snap Hook	68.61	28-VLL0050

LANYARD - ENERGY ABSORBING, ROPE GRAB

- Rope Grab with built-in energy absorber
- Follows the user during their ascent or descent
- Panic Lock feature ensuring that the rope grab will lock
- Orientation lock-out feature that will not allow the rope grab to be used upside down
- Compliant / Certified to CSA Z259.2.5 & ANSI Z329.1
- Capacity Range: 100 lb to 310 lb



Type	Length (in)	Attachments	Price	Part Number
Single	30	Rope Grab / Snap Hook	119.52	28-ATFL02CSA

ROOFER'S KIT

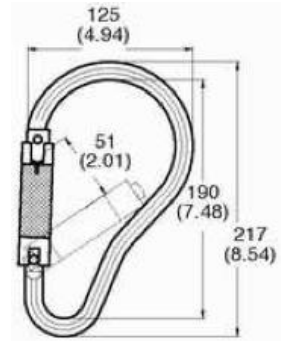
- 3-point adjustable harness
- Rope grab with 30" energy absorbing lanyard
- 50ft polyester vertical lifeline with snap hook
- Reusable 5000lbs roof anchor
- Reusable Pail
- Compliant / Certified to CSA Z259.2.5 & CSA Z259.10
- Capacity Range: 100 lb to 310 lb



Length (ft)	Attachments	Price	Part Number
50	D Rings, Snap Hook, Rope Grab, Roof Anchor	268.44	28-ROOFKIT

LINK - CARABINER, SELF-LOCKING, WITH CAPTIVE PIN, N-259G

- Material: Steel
- Standard: CSA Z259.12, EN 362, AMSI Z359
- Finish: Yellow Zinc
- Identification: Trademark, Batch Code, Size/WLL

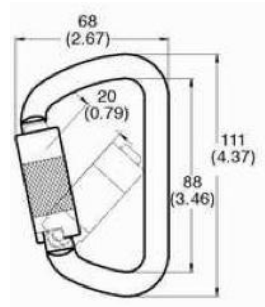


Captive Pin

Size	Min. Break Load	Proof Load	Gate Opening	Net Weight	Price	Part Number
125 mm x 217 mm	5000 lb	3600 lb	51 mm	774 g	64.53	28-N-259GCP

LINK - CARABINER, SELF-LOCKING, WITH CAPTIVE PIN, N-252G

- Material: Steel
- Standard: CSA Z259.12, EN 362, AMSI Z359
- Finish: Yellow Zinc
- Identification: Trademark, Batch Code, Size/WLL

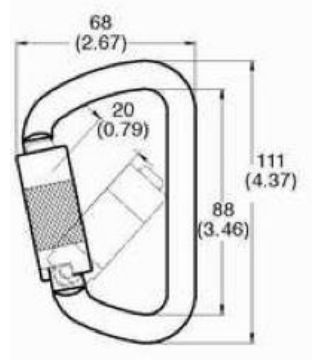


Captive Pin

Size	Min. Break Load	Proof Load	Gate Opening	Net Weight	Price/ea.	Part Number
68 mm x 111 mm	5000 lb	3600 lb	20 mm	250 g	25.61	28-N-252GCP

LINK - CARABINER, SELF-LOCKING, WITH CAPTIVE PIN, N-256G

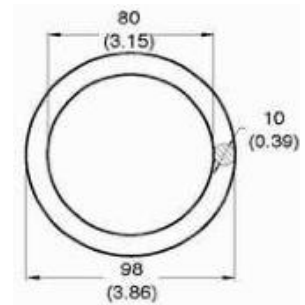
- Material: Steel
- Standard: CSA Z259.12, EN 362, AMSI Z359
- Finish: Yellow Zinc
- Identification: Trademark, Batch Code, Size/WLL



Size	Min. Break Load	Proof Load	Gate Opening	Net Weight	Price / ea.	Part Number
79 mm x 124 mm	5000 lb	3600 lb	24 mm	279 g	31.43	28-N-256GCP

LINK - O-RING, N-489

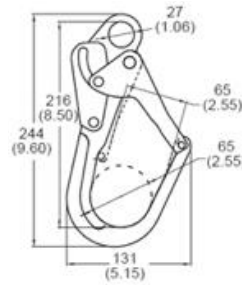
- Material: Forged Steel, Heat Treated
- Standard: CSA Z259.12, EN 362, AMSI Z359
- Finish: Yellow Zinc
- Identification: Trademark, Batch Code, Size/WLL



Size	Min. Break Load	Proof Load	Net Weight	Price / ea.	Part Number
10 mm x 80 mm	5000 lb	3600 lb	198 g	13.46	28-N-489

HOOK - REBAR, N-3630

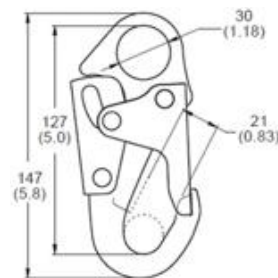
- Material: Forged Steel, Heat Treated
- Standard: CSA Z259.12, EN 362, AMSI Z359
- Finish: Yellow Zinc
- Identification: Trademark, Batch Code, Size/WLL



Size (in)	Min. Break Load	Proof Load	Net Weight	Price / ea.	Part Number
2 1/4	5000 lb	3600 lb	788 g	58.73	28-N-3630

HOOK - SNAP, N-3610

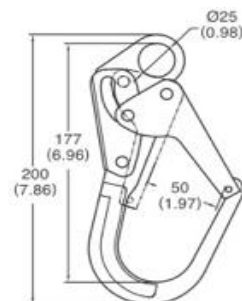
- Material: Forged Steel, Heat Treated
- Standard: CSA Z259.12, EN 362, AMSI Z359
- Finish: Yellow Zinc
- Identification: Trademark, Batch Code, Size/WLL



Lock Type	Min. Break Load	Proof Load	Net Weight	Price / ea.	Part Number
Double Lock	5000 lb	3600 lb	390 g	23.00	28-N-3610

HOOK - REBAR, N-3620

- Material: Forged Steel, Heat Treated
- Standard: CSA Z259.12, EN 362, AMSI Z359
- Finish: Zinc Plated
- Identification: Trademark, Batch Code, Size/WLL



For Rebar Size (in)	Min. Break Load	Proof Load	Net Weight	Price / ea.	Part Number
1 3/4	5000 lb	3600 lb	543 g	51.79	28-N-3620