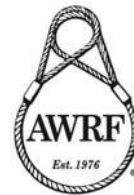




World Class Rigging Products



# Certifications & Memberships & Approval Programs:

## DNV GL 2.7-1 - Type Approval Certificate(s) (S-8676, TAS000010N):



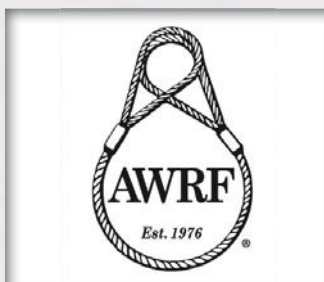
- A worldwide accredited registrar and classification society. This type approval certificate requires a site audit of our manufacturing process for 2.7-1 Offshore Container Wire Rope Lifting Sling Sets. As well as compliance with; DNV GL 2.7-1 Containers, EN 12079-2, and EN 13414-1. Providing Oceanside authority to act on behalf of DNV to manufacture 2.7-1 offshore lifting sets for use with offshore containers.



## HSE Achilles Green Band Approval Program - Offshore Oil & Gas Industry

- A joint qualification system for supplier register and pre-qualification used by companies in the oil and gas industry. Approval of this system requires an in-depth QHSE audit. Providing clients/customers documented evidence of our Quality and HSE management system.

## AWRF Member (Associated Wire Rope Fabricators (AWRF))



- An authoritative representative body for 400+ independent fabricators, manufacturers and distributors of lifting and load securement devices. Providing solutions for wire rope, chain, hardware fittings, synthetic ropes, hoists, and rigging hardware as well as peer support, best practice advice, training library and technical reference material (ASME).

# 2021

<b>Anchors</b> .....	<b>4</b>
<b>Rigging Blocks</b> .....	<b>11</b>
<b>Chain &amp; Chain Accessories</b> .....	<b>25</b>
<b>Lashing Equipment</b> .....	<b>40</b>
<b>Lifting Accessories</b> .....	<b>45</b>
<b>Marine</b> .....	<b>72</b>
<b>Rigging Accessories</b> .....	<b>100</b>
<b>Hooks</b> .....	<b>110</b>
<b>Yoke® Introduction</b> .....	<b>126</b>
<b>Yoke® Grade 100</b> .....	<b>129</b>
<b>Yoke® Grade 80</b> .....	<b>138</b>
<b>Yoke® Fall Arrest</b> .....	<b>156</b>
<b>Lifting Rings</b> .....	<b>161</b>
<b>Chain Slings</b> .....	<b>168</b>
<b>Synthetic &amp; Fiber Rope</b> .....	<b>169</b>
<b>Fids, Neddles, Sail Palms</b> .....	<b>182</b>
<b>Shackles</b> .....	<b>183</b>
<b>Load Monitoring Devices</b> .....	<b>198</b>
<b>Rigging Equipment</b> .....	<b>203</b>
<b>Sleeves (Ferrules)</b> .....	<b>209</b>
<b>Electrical</b> .....	<b>214</b>
<b>Slings</b> .....	<b>215</b>
<b>Wire Rope end Terminations</b> .....	<b>223</b>
<b>Swivels</b> .....	<b>233</b>
<b>Thimbles</b> .....	<b>240</b>
<b>Tools</b> .....	<b>242</b>
<b>Turnbuckles</b> .....	<b>243</b>
<b>Wire Rope</b> .....	<b>248</b>
<b>Winches</b> .....	<b>272</b>
<b>Marine Offshore Equipment</b> .....	<b>277</b>
<b>Index</b> .....	<b>283</b>



Safety is our first priority™

**Yoke® Introduction**  
**Yoke® Grade 100**  
**Yoke® Grade 80**  
**Yoke® Fall Arrest**



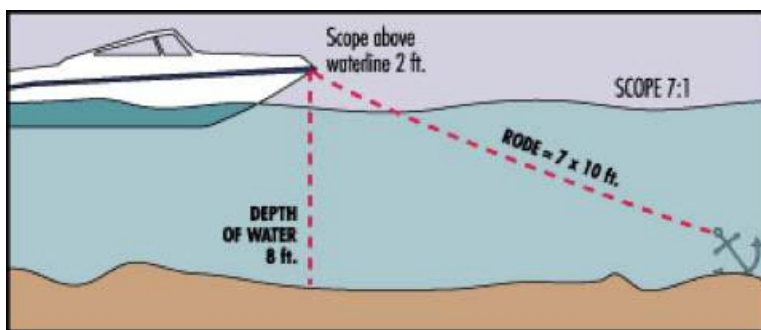
The anchor is the key to effective anchoring or mooring. It is essential to know what to expect from various anchors. Resistance of an anchor to being dragged through a soil has been considered as occurring in two stages: first, biting into the bottom due to the ploughing effects of the flukes, and secondly, maintaining a continuous resistance to drag after it is planted into the bottom.

Holding power type anchors are directly proportional to projected fluke area, and shear strength of the bottom material, and inversely proportional to penetration-area resistance. In many cases a smaller anchor with favorable fluke area to weight ratio is more dependable than a heavier anchor.

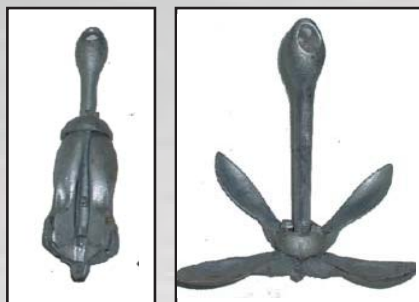
Holding power for the two most widely used anchors are as follows:

1. Stockless Type anchors in sand develop a holding power to weight ratio of seven to one. In mud it develops three to one. The angle of penetration in both cases is 45°.
2. Lightweight Type (Danforth style) anchors in sand develop a holding power to weight ratio of twenty to one, with the angle of penetration being 30°. In mud it develops nine to one with the angle of penetration being 50°.

The depth of penetration in all preceding cases is compiled from three to seven feet in sand, and from seventeen to twenty feet in mud. All calculations incorporate a 0° scope angle.



## Anchor - Folding



- Folding anchors stow neatly, no sharp points to cause injury or boat damage, weighted shank ensures a quick set, hot dip galvanized for maximum corrosion resistance.
- These anchors are an excellent choice for dinghies and other small boats.

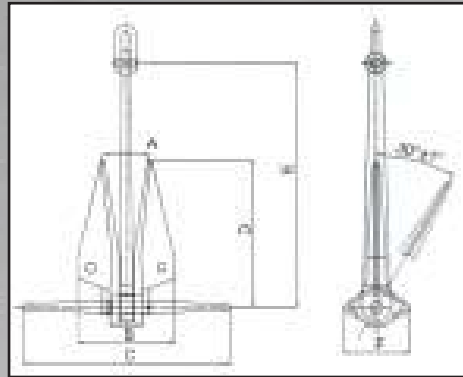
Weight (lb)	Boat Length (ft)	Price / ea.	Part Number
1.5	5 - 10	STOCKED	6-1.5GFANC
3.3	5 - 12	STOCKED	6-3.3GFANC
5.5	5 - 14	STOCKED	6-5.5GFANC
7.0	5 - 16	STOCKED	6-7GFANC
13.2	14 - 22	STOCKED	6-13.2GFANC
17.6	18 - 26	STOCKED	6-17.6GFANC
22.0	22 - 30	STOCKED	6-22GFANC
26.4	24 - 30	STOCKED	6-26.4GFANC

We are direct importers and factory distributors for larger size anchors. Additional styles of anchors are shown in the back of catalogue. [Please give us a call with your request.](#)



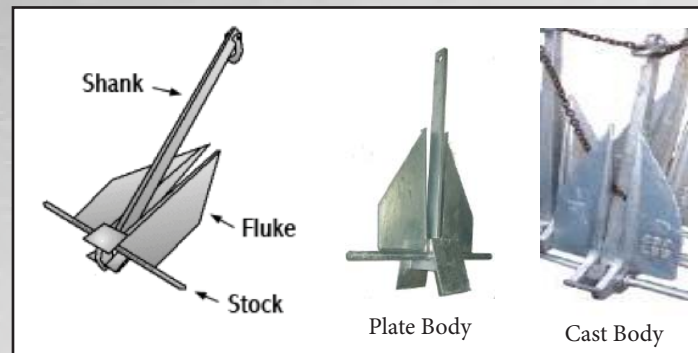


## Anchor - Danforth Style / Workboat



- With the "hook" head forcing the flukes to dig in quickly, and the large fluke design providing tremendous holding power; this anchor offers terrific holding power in both sand and mud bottoms.

Weight (lb)	Price / ea.	Part Number
4	<b>STOCKED</b>	<b>6-ANC4</b>
9	<b>STOCKED</b>	<b>6-ANC9</b>
13	<b>STOCKED</b>	<b>6-ANC13</b>
18	<b>STOCKED</b>	<b>6-ANC18</b>
22	<b>STOCKED</b>	<b>6-ANC22</b>
44	<b>STOCKED</b>	<b>6-ANC44</b>
70	<b>STOCKED</b>	<b>6-ANC70</b>
100	<b>STOCKED</b>	<b>6-ANC100</b>
125	<b>STOCKED</b>	<b>6-ANC125</b>
150	<b>STOCKED</b>	<b>6-ANC150</b>
200	<b>STOCKED</b>	<b>6-ANC200</b>
300	<b>STOCKED</b>	<b>6-ANC300</b>
400	<b>STOCKED</b>	<b>6-ANC400</b>



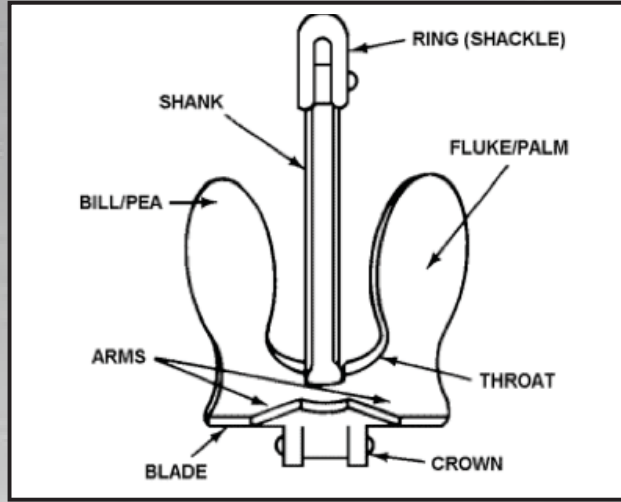
Weight (kg)	Dimensions (mm)					
	A	B	C	D	E	F
60	186	408	755	535	985	240
75	200	450	830	590	1080	260
100	216	490	930	640	1180	290
120	220	505	970	670	1230	300
125	234	520	1000	690	1270	310
150	242	550	1060	732	1348	330
200	266	600	1150	810	1490	360
250	294	650	1240	270	1600	390
276	296	660	1250	885	1620	400
300	312	690	1320	925	1700	420
400	342	750	1460	1010	1810	460
500	368	800	1570	1100	2020	490
750	414	910	1800	1260	2300	560
1000	450	980	1980	1380	2540	620
1250	484	1070	2100	1490	2740	670
1500	512	1120	2220	1580	2850	700

Weight (kg)	Dimensions (mm)					
	A	B	C	D	E	F
2000	560	1130	2440	1730	2910	770
2500	605	1217	2628	1864	3070	830
3000	640	1290	2790	1980	3330	880
4000	700	1420	3070	2170	3590	970
5000	735	1482	3200	2270	3840	1020
6000	800	1620	3500	2480	4100	1100
7000	840	1696	3850	2590	4180	1150
8500	910	1936	3940	2600	4490	1240
10 000	940	2000	4150	2900	4640	1280
13 600	1046	2120	4590	3250	5378	1440
16 000	1105	2240	4845	3435	5680	1520
18 000	1150	2270	5000	3570	5680	1580
20 000	1190	2350	5175	3695	5880	1635
25 000	1280	2530	5570	3982	6330	1760

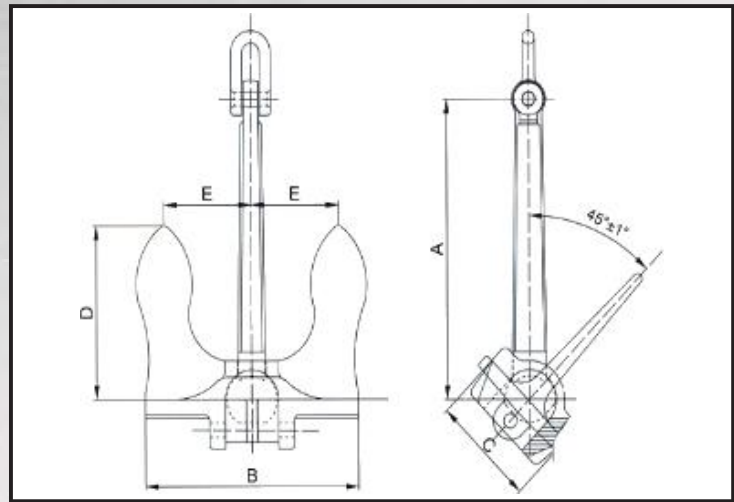


## Anchor - Stockless

Anchors

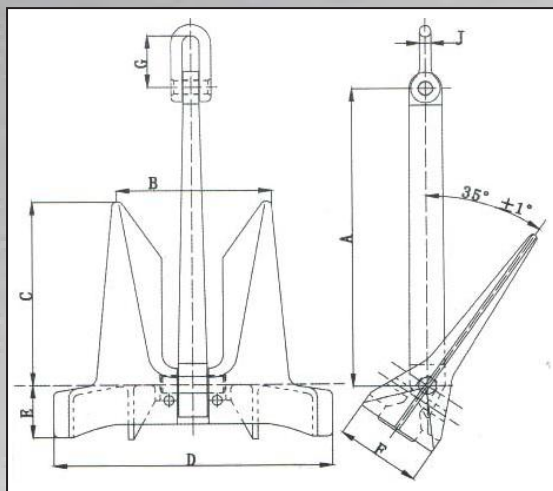


Weight (lb)	Price / ea.	Part Number
100	<b>STOCKED</b>	6-ANCSTK100
150	<b>STOCKED</b>	6-ANCSTK150
200	<b>STOCKED</b>	6-ANCSTK200
250	<b>STOCKED</b>	6-ANCSTK250
300	<b>STOCKED</b>	6-ANCSTK300
500	<b>STOCKED</b>	6-ANCSTK500



Weight (lb)	Dimensions (mm)				
	A	B	C	D	E
200	685	457	241	366	190.5
300	812	590	296	442	230
400	812	654	330	482	250
500	900	673	356	530	287.5
750	965	770	407	584	308
1000	1067	854	457	640	347.5
1250	1165	923	475	720	370
1500	1232	1005	515	748	392
2000	1370	1092	558	848	430
2100	1370	1092	558	848	436
2500	1473	1136	568	848	448
3000	1625	1194	648	912	483
3500	1625	1340	698	1003	500
4000	1734	1354	705	1054	518
4500	1794	1440	735	1066	563
5000	1930	1460	762	1130	588
6000	1930	1613	844	1194	641.5
6300	1930	1613	844	1194	641.5
7000	2082	1691	882	1263	668

## Anchor - AC-14



Weight (kg)	Dimensions (mm)							
	A	B	C	D	E	F	G	J
56	612	298	376	555	109	170	115	24
100	745	364	458	675	130	200	130	28
180	909	442	558	822	162	252	160	36
300	1075	524	660	975	194	298	192	45
428	1213	590	745	1098	216	336	215	48
675	1410	690	868	1278	250	390	255	60
750	1450	700	878	1315	256	396	255	60
910	1560	760	957	1410	273	430	255	60
970	1592	775	978	1445	284	440	280	62
1080	1650	805	1014	1495	294	455	280	62
1305	1760	858	1082	1595	313	485	310	68
1440	1818	885	118	1645	324	505	310	68
1710	1925	940	1184	1745	343	532	340	74
1845	1975	965	1215	1785	347	546	340	74
2100	2065	1005	1268	1865	354	570	380	82
2475	2175	1062	1340	1970	385	570	380	82
2835	2265	1105	1393	2055	399	625	410	90
3550	2455	1198	1508	2225	438	680	415	100
3940	2540	1240	1562	2300	453	705	450	100
4500	2655	1295	1632	2405	473	735	450	100
4840	2720	1330	1670	2465	490	755	480	110
5610	2858	1396	1758	2590	509	790	500	110
6000	2922	1426	1796	2646	515	810	500	110
6900	3062	1496	1884	2775	545	848	540	117
7800	3190	1558	1962	2890	569	884	600	130
8300	3256	1590	2002	2950	574	902	600	130
9300	3382	1652	2080	3064	603	936	630	135
9900	3452	1686	2124	3128	616	956	640	140
10575	3523	1720	2166	3192	628	976	660	145
11100	3589	1720	2166	3192	628	976	660	145
11700	3650	1782	2245	3308	648	1010	680	150
12300	3683	1794	2260	3330	655	1018	700	155
12900	3772	1842	2320	3418	670	1044	700	155
13500	3830	1870	2355	3470	682	1060	730	160
14100	3885	1896	2389	3520	689	1076	730	160
14700	3940	1924	2423	3570	700	1090	730	160
15400	4002	1954	2461	3626	710	1108	730	160
16100	4062	1982	2498	3680	721	1125	770	170
16900	4128	2016	2538	3740	721	1144	770	170
17800	4200	2050	2583	3806	725	1162	800	180
18800	4277	2088	2630	3875	729	1185	800	180
20000	4350	2101	2694	3945	729	1185	820	199
25000	5046	2437	3125	4577	846	1375	848	230



**WARNING**

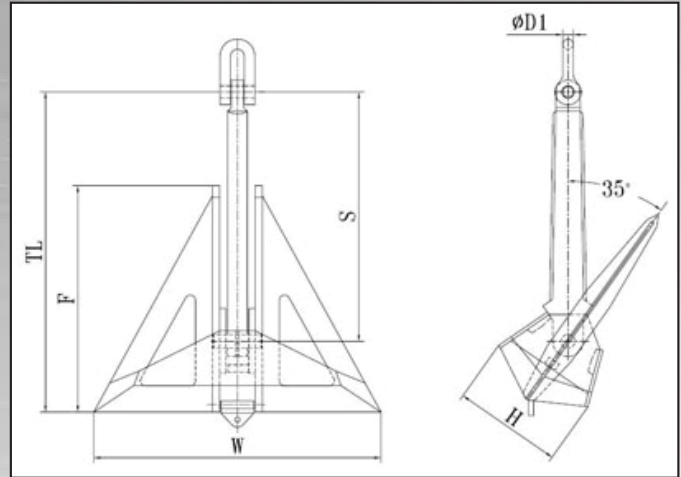
NEVER EXCEED PUBLISHED WORKING LOAD LIMIT





## Anchor - Delta HHP

Anchors

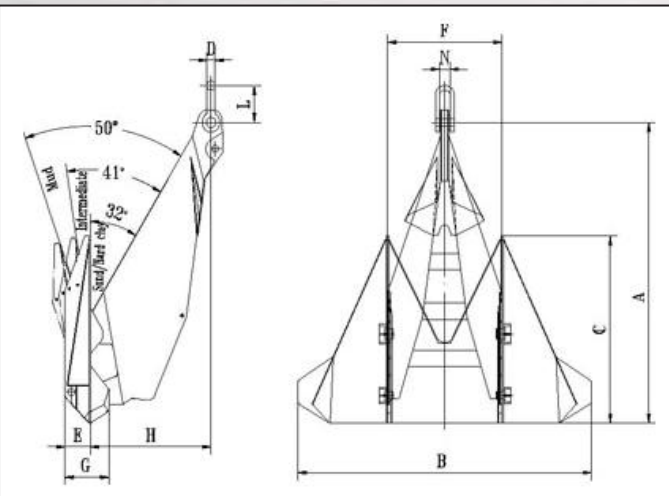
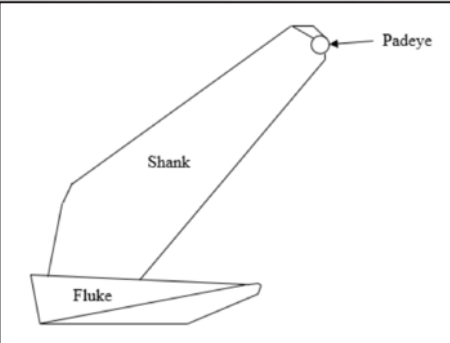


Nominal Weight (kg)	Dimensions (mm)						P.L. (kN)
	TL	W	F	H	S	D1	
300	1380	1200	960	465	1080	45	98
500	1725	1500	1200	570	1350	48	143
750	1950	1700	1360	650	1530	50	198
1000	2150	1870	1500	710	1680	62	250
1500	2460	2140	1710	815	1920	70	350
2000	2715	2360	1890	900	2125	75	435
2500	2925	2540	2035	970	2290	80	510
3000	3105	2700	2160	1030	2430	90	576
3500	3240	2845	2280	1087	2565	90	635
4000	3375	2953	2315	1140	2650	100	686
5000	3658	3200	2560	1225	2900	110	776
6000	3935	3405	2720	1310	3125	110	875
7000	4120	3580	2860	1360	3220	117	968
7500	4215	3666	2925	1390	3295	124	1005
8000	4315	3750	3000	1425	3380	130	1048
9000	4490	3874	3120	1480	3512	135	1108
10000	4725	4100	3280	1560	3690	140	1172
11000	4868	4140	3310	1600	3750	145	1238
12000	4960	4275	3420	1640	3860	150	1300
13500	5120	4450	3560	1700	4000	155	1408
15000	5345	4600	3685	1735	4160	160	1520
18000	5678	4890	3919	1840	4418	170	1710
20000	5880	5065	4050	1900	4570	175	1840





**Anchor - ST Offshore**



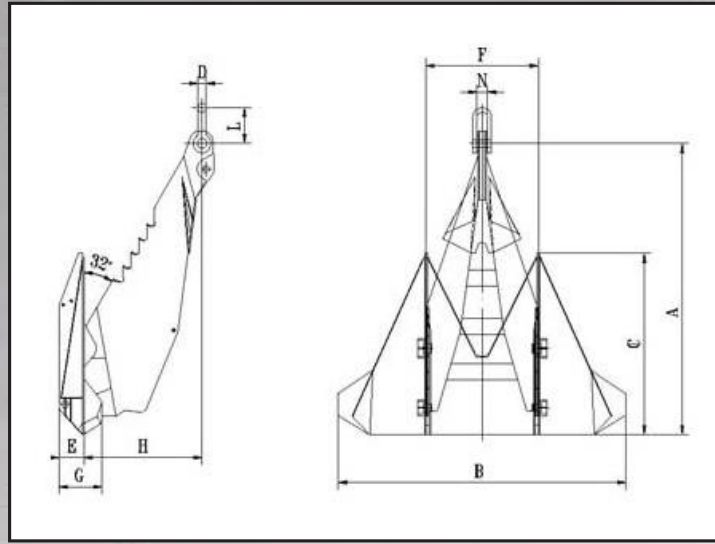
Nominal Weight (kg)	Dimensions (mm)									
	A	B	C	D	E	F	G	H	L	N
500	2050	2191	1242	48	187	859	323	1002	215	64
1000	2580	2755	1563	59	236	1081	407	1261	271	78
1500	2957	3160	1792	68	270	1240	467	1446	310	94
2000	3253	3477	1970	74	297	1364	513	1591	340	106
3000	3722	3979	2256	90	340	1561	586	1820	385	120
4000	4096	4378	2483	100	374	1717	645	2003	415	124
5000	4415	4718	2678	110	403	1853	696	2161	480	136
6000	4691	5013	2845	110	428	1968	739	2296	500	144
7000	4939	5277	2994	115	451	2071	778	2416	540	156
7500	5053	5399	3063	124	461	2119	796	2472	580	156
8000	5166	5519	3134	130	471	2169	816	2530	600	156
9000	5372	5739	3239	135	490	2255	848	2631	620	170
10000	5563	5943	3375	140	508	2335	878	2725	640	170
11000	5742	6134	3483	145	524	2410	906	2812	660	184
12000	5914	6318	3588	150	539	2483	935	2897	680	184
13500	6150	6570	3731	155	561	2582	972	3012	700	188
15000	6369	6804	3864	160	581	2674	1006	3119	730	198
18000	6767	7229	4105	175	618	2841	1065	3313	790	212
20000	7011	7490	4255	180	640	2946	1107	3435	800	216
22000	7237	7731	4391	190	660	3040	1142	3545	850	226
25000	7551	8066	4581	195	689	3171	1191	3699	860	230
30000	8023	8570	4866	210	733	3282	1264	3929	940	244

**Anchors**



## Anchor - STS Offshore

Anchors

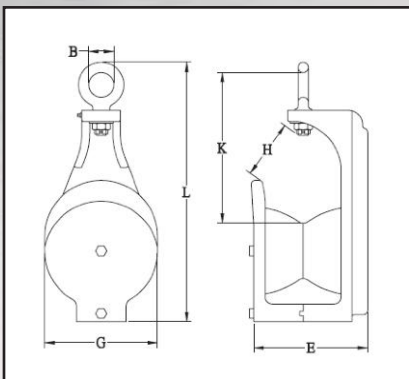


Nominal Weight (kg)	Dimensions (mm)									
	A	B	C	D	E	F	G	H	L	N
500	2034	2175	1232	48	187	849	317	992	215	64
1000	2564	2742	1553	59	236	1071	401	1251	271	78
1500	2933	3136	1776	68	270	1224	457	1430	310	94
2000	3229	3453	1955	74	297	1348	503	1575	340	106
3000	3698	3955	2240	90	340	1545	576	1804	385	120
4000	4072	4354	2467	100	374	1701	635	1987	415	124
5000	4385	4688	2654	110	403	1829	684	2137	480	136
6000	4661	4983	2821	110	428	1944	727	2272	500	144
7000	4909	5247	2970	115	451	2047	766	2392	540	156
7500	5023	5369	3039	124	461	2095	784	2448	580	156
8000	5130	5483	3104	130	471	2139	800	2500	600	156
9000	5336	5703	3209	135	490	2225	832	2601	620	170
10000	5527	5907	3345	140	508	2305	862	2695	640	170
11000	5706	6098	3453	145	524	2380	890	2782	660	184
12000	5870	6274	3552	150	539	2447	913	2861	680	184
13500	6106	6526	3695	155	561	2546	950	2976	700	188
15000	6325	6760	3828	160	581	2638	984	3083	730	198
18000	6723	7185	4069	175	618	2805	1043	3277	790	212
20000	6961	7440	4211	180	640	2902	1077	3391	800	216
22000	7187	7681	4347	190	660	2996	1112	3501	850	226
25000	7501	8016	4537	195	689	3127	1161	3655	860	230
30000	7973	8520	4822	210	733	3238	1234	3885	940	244



Rigging Blocks

**Block - Lobster, Yoke<sup>®</sup>**



Cast Aluminium Frame & Sheave

- Manufactured with the highest quality steel available
- Corrosive resistant for increased block life in a salt water environment
- Blocks are supplied with a pressure lube fitting on swivel eye for a longer block life
- Sealed bearings in roller sheave for increased block life and performance
- PIC code on block matched to certificate and each block individually tested for maximum safety

WLL (lb)	2000
Roller Size (in)	5
Dimension (in)	B 1.24
	K 8.75
	E 6.30
	H 3.27
	G 6.22
	L 15.25
Weight (lb)	13.2
Price / ea.	<b>STOCKED</b>
Part Number	<b>28-531-01</b>

- Material: Aluminium Frame & Sheave
- Finish: Galvanized
- Design Factor: 4:1
- Identification: Trademark, Size/ Load, Batch Code



**WARNING**

A potential hazard exists when lifting or dragging heavy loads with tackle block assemblies. Failure to design and use tackle block systems properly may cause a load to slip or fall, the result could be serious injury or death. A tackle block system should be rigged by a qualified person as defined by ANSI/ASME B30.



**WARNING**

NEVER EXCEED PUBLISHED WORKING LOAD LIMIT





## Block - Try Net



- Roller Bearing and Grease Nipple
- Finish: Galvanized
- Design Factor: 4:1
- Identification: Trademark, Size/WLL
- Rated in Metric Ton(s)

WLL (t)	Size (in)	Wt. (lb)	Price / ea.	Part Number
5	6	24	STOCKED	6-6"TNB
10	8	56	STOCKED	6-8"TNB

## Block - Yarding



- Roller Bearing and Grease Nipple
- Material: Steel
- Finish: Painted, Red
- Design Factor: 4:1
- Identification: Size/WLL
- Rated in Metric Ton(s)

Wire size (in)	WLL (t)	Size (in)	Qty. / box	Wt. (lb)	Price / ea.	Part Number
1/4 - 5/16	1.5	3	10	3	STOCKED	6-3"YB
3/8	3	4	10	6	STOCKED	6-4"YB
1/2	4.5	5	5	9	STOCKED	6-5"YB
9/16	6	6	2	14	STOCKED	6-6"YB
5/8	8	8	2	32	STOCKED	6-8"YB



### WARNING

A potential hazard exists when lifting or dragging heavy loads with tackle block assemblies. Failure to design and use tackle block systems properly may cause a load to slip or fall, the result could be serious injury or death. A tackle block system should be rigged by a qualified person as defined by ANSI/ASME B30.



### WARNING

NEVER EXCEED PUBLISHED WORKING LOAD LIMIT



## Block - Chain



- Roller Bearing and Grease Nipple
- Roller for 3/8" chain
- Material: Steel
- Standard: EN 13157
- Finish: Painted
- Design Factor: 4:1
- Identification: Trademark, Size/WLL
- Rated in Metric Ton(s)

WLL (t)	Wt. (lb)	Price / ea.	Part Number
5	9	<b>STOCKED</b>	<b>6-CBE14</b>

## Block - Gin



- Ball bearing, with hook and latch.
- For Manila Rope.
- Material: Steel
- Standard: BS 1692
- Finish: Painted
- Design Factor: 3:1
- Identification: Trademark, Size/WLL

Sheave Size (in)	WLL (lb)	Rope Dia. (in)	Rim Width (in)	Wt. (lb)	Price / ea.	Part Number
12	1000	1	1 3/8	12.7	<b>STOCKED</b>	<b>6-12"GB</b>

## Block - Sheave Bronze Brushed



- Material: Steel
- Standard: EN 13157
- Finish: Painted
- Design Factor: 4:1

Sheave Dia. (in)	Bore dia. (mm)	Wire Dia. (in)	Qty. / box	Price / ea.	Part Number
5	24	1/2	13	<b>STOCKED</b>	<b>6-5"SBB</b>
6	32.5	5/8	5	<b>STOCKED</b>	<b>6-6"SBB</b>
8	35	7/8	5	<b>STOCKED</b>	<b>6-8"SBB</b>

### **WARNING**

A potential hazard exists when lifting or dragging heavy loads with tackle block assemblies. Failure to design and use tackle block systems properly may cause a load to slip or fall, the result could be serious injury or death. A tackle block system should be rigged by a qualified person as defined by ANSI/ASME B30.



## Block - Single or Double Sheave, Wooden, with Hook



- For use with fibre rope.
- Standard: EN 13157
- Finish: Galvanized
- Design Factor: 4:1
- Identification: Trademark, Size/WLL

Shell Size (in)	Rope Dia. (in)	Sheave Size (in)			Wt. (lb)	SINGLE BLOCKS			DOUBLE BLOCKS		
		O.D.	Rim	Pin		WLL (lb)	Price / ea.	Part Number	WLL (lb)	Price / ea.	Part Number
3	3/8	1 3/4	1/2	3/8	1	500	STOCKED	6-3"SWBH	800	STOCKED	6-3"DWBH
4	1/2	2 1/4	5/8	3/8	2	1000	STOCKED	6-4"SWBH	1400	STOCKED	6-4"DWBH
5	5/8	3	3/4	3/8	2.5	1200	STOCKED	6-5"SWBH	1800	STOCKED	6-5"DWBH
6	3/4	3 1/2	1	1/2	4	1800	STOCKED	6-6"SWBH	2500	STOCKED	6-6"DWBH
8	1	4 3/4	1 1/8	5/8	9.5	2800	STOCKED	6-8"SWBH	3800	STOCKED	6-8"DWBH

## Block - Snatch, Single Sheave, Wooden, with Hook



- For use with fibre rope, opens for easy access.
- Standard: EN 13157
- Finish: Galvanized
- Design Factor: 4:1
- Identification: Trademark, Size/WLL

Rope Dia. (in)	WLL (lb)	Shell Size (in)	Wt. (lb)	Price / ea.	Part Number
7/8	2400	6	8	STOCKED	6-7/8X6SB
1 1/8	4800	8	12	STOCKED	6-11/8X8SB

## Block - Pulley



- For use with fibre rope.
- Material: Stainless Steel
- Finish: Stainless Steel
- Design Factor: 4:1
- Identification: Trademark, Size/WLL

Rope Dia. (in)	Break Load (lb)	Diameter (in)	Price / ea.	Part Number
3/8	1900	1 1/4	STOCKED	6-PBSS3/8
5/8	3200	2	STOCKED	6-PBSS5/8



### WARNING

A potential hazard exists when lifting or dragging heavy loads with tackle block assemblies. Failure to design and use tackle block systems properly may cause a load to slip or fall, the result could be serious injury or death. A tackle block system should be rigged by a qualified person as defined by ANSI/ASME B30.

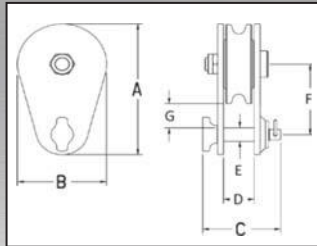


### WARNING

NEVER EXCEED PUBLISHED WORKING LOAD LIMIT



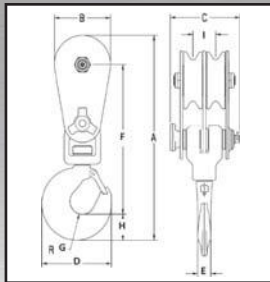
## Block - Snatch, Single Sheave, Light Duty, Tail Board, Ocean Brand®



- Material: Manufactured from the highest quality tensile steel, forged swivel tees, yokes and end fittings.
- Finish: Light blue body for quick recognition
- Identification: Manufacturer, Rated Load, Rope Size(s)
- Furnished with Bronze Bushings and Grease Nipples
- Blocks open for easy wire installation.
- Design Factor: 4:1
- Standard: EN 13157
- Rated in Metric Load(s)

Wire Dia. (in)	Sheave Dia. (in)	WLL (t)	Dimensions (in)							N.W. (lb)	Price / ea.	Part Number
			A	B	C	D	E	F	G			
5/16 - 3/8	3	2	4.87	3.00	2.64	1.04	0.50	2.62	0.87	3	STOCKED	6-3"406SB
3/8 - 1/2	4 1/2	4	7.75	4.25	3.13	1.56	0.75	4.25	1.63	8	STOCKED	6-4-1/2"406SB
5/8 - 3/4	6	8	9.87	6.00	4.19	1.80	1.00	5.12	1.62	15	STOCKED	6-6"406SB
3/4 - 7/8	6	12	9.87	6.00	4.19	1.80	1.00	5.12	1.62	24	STOCKED	6-6"406SBL
1-1/8	8	15	13.56	8.12	6.00	2.55	1.25	6.75	2.37	35	STOCKED	6-8"406SB

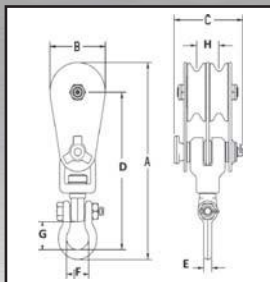
## Block - Snatch, Double Sheave, Light Duty, with Hook, Ocean Brand®



- Material: Manufactured from the highest quality tensile steel, forged swivel tees, yokes and end fittings.
- Finish: Yellow end fittings, light blue body for quick recognition
- Identification: Manufacturer, Rated Load, Rope Size(s)
- Furnished with Bronze Bushings and Grease Nipples
- Blocks open for easy wire installation.
- Design Factor: 4:1
- Standard: EN 13157
- Rated in Metric Load(s)

Wire Dia. (in)	Sheave Dia. (in)	WLL (t)	Dimensions (in)									N.W. (lb)	Qty / box	Price / ea.	Part Number
			A	B	C	D	E	F	G	H	I				
3/8 - 1/2	4 1/2	4	14.77	4.24	5.25	5.24	1.00	10.78	0.94	1.87	1.72	20	-	STOCKED	6-4-1/2"408SB
5/8 - 3/4	6	12	21.12	6.00	6.13	7.86	1.56	15.50	1.44	2.62	2.62	49	-	STOCKED	6-6"408SB
5/8 - 3/4	8	12	23.18	8.12	6.13	7.86	1.56	16.50	1.44	2.62	2.03	59	-	STOCKED	6-8"408SB

## Block - Snatch, Double Sheave, Light Duty, with Shackle, Ocean Brand®

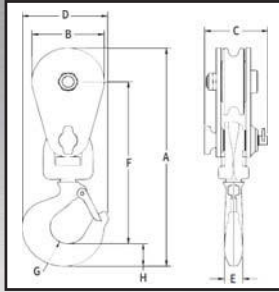


- Material: Manufactured from the highest quality tensile steel, forged swivel tees, yokes and end fittings.
- Finish: Light blue body for quick recognition
- Identification: Manufacturer, Rated Load, Rope Size(s)
- Furnished with Bronze Bushings and Grease Nipples
- Blocks open for easy wire installation.
- Design Factor: 4:1
- Standard: EN 13157
- Rated in Metric Load(s)

Wire Dia. (in)	Sheave Dia. (in)	WLL (t)	Dimensions (in)								N.W. (lb)	Qty / box	Price / ea.	Part Number
			A	B	C	D	E	F	G	H				
3/8 - 1/2	4 1/2	4	14.03	4.24	5.25	11.22	0.62	1.70	2.01	1.72	20	-	STOCKED	6-4-1/2"409SB
5/8 - 3/4	6	12	21.12	6.00	6.13	16.36	1.50	3.12	3.12	2.03	49	-	STOCKED	6-6"409SB
5/8 - 3/4	8	12	23.17	8.12	6.13	17.36	1.50	3.12	3.12	2.03	59	-	STOCKED	6-8"409SB



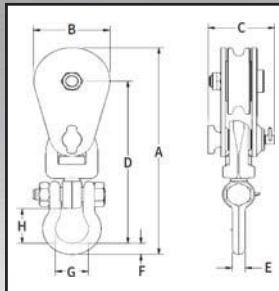
## Block - Snatch, Single Sheave, Alloy, with Hook, Ocean Brand®



- Material: Manufactured from the highest quality alloy steel, forged swivel tees, yokes and end fittings.
- Finish: Yellow for quick recognition
- Identification: Manufacturer, Rated Load, Rope Size(s)
- Furnished with Bronze Bushings and Grease Nipples
- Blocks open for easy wire installation.
- Design Factor: 4:1
- Standard: EN 13157
- Rated in Metric Load(s)

Wire Dia.		Sheave Dia.	WLL	Dimensions (in)								N.W.	Price / ea.	Part Number
(mm)	(in)	(in)	(t)	A	B	C	D	E	F	G	H	(lb)		
19-22	3/4 - 7/8	10	12	24.02	10.12	4.19	7.88	1.56	16.34	1.44	2.62	61	STOCKED	6-10"416SB

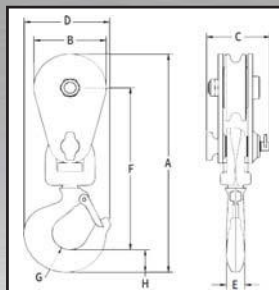
## Block - Snatch, Single Sheave, Alloy, with Shackle, Ocean Brand®



- Material: Manufactured from the highest quality alloy steel, forged swivel tees, yokes and end fittings.
- Finish: Yellow for quick recognition
- Identification: Manufacturer, Rated Load, Rope Size(s)
- Furnished with Bronze Bushings and Grease Nipples
- Blocks open for easy wire installation.
- Design Factor: 4:1
- Standard: EN 13157
- Rated in Metric Load(s)

Wire Dia.		Sheave Dia.	WLL	Dimensions (in)								N.W.	Price / ea.	Part Number
(mm)	(in)	(in)	(t)	A	B	C	D	E	F	G	H	(lb)		
19-22	3/4 - 7/8	10	12	23.06	10.12	4.19	16.75	1.25	1.25	3.00	3.47	57	STOCKED	6-10"417SB

## Block - Snatch, Single Sheave, Light Duty, with Hook, Ocean Brand®

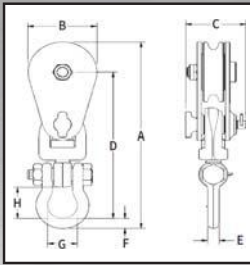


- Material: Manufactured from the highest quality tensile steel, forged swivel tees, yokes and end fittings.
- Finish: Yellow end fittings, light blue body for quick recognition
- Identification: Manufacturer, Rated Load, Rope Size(s)
- Furnished with Bronze Bushings and Grease Nipples
- Blocks open for easy wire installation.
- Design Factor: 4:1
- Standard: EN 13157
- Rated in Metric Load(s)

Wire Dia.	Sheave Dia.	WLL	Dimensions (in)								N.W.	Price / ea.	Part Number
(in)	(in)	(t)	A	B	C	D	E	F	G	H	(lb)		
5/16 - 3/8	3	2	9.30	3.00	2.64	3.65	0.60	6.05	1.09	0.96	5	STOCKED	6-3"418SB
3/8 - 1/2	4 1/2	4	14.50	4.24	3.13	4.88	1.30	9.00	1.60	1.55	12	STOCKED	6-4-1/2"418SB
5/8 - 3/4	6	8	18.50	6.00	4.19	6.40	1.52	10.60	2.15	2.00	27	STOCKED	6-6"418SB
5/8 - 3/4	8	8	20.25	8.12	4.19	6.40	1.52	11.00	2.15	2.00	37	STOCKED	6-8"418SB



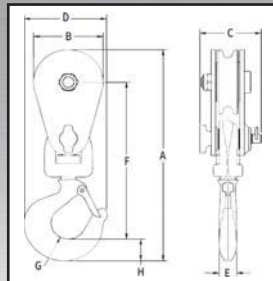
## Block - Snatch, Single Sheave, Light Duty, with Shackle, Ocean Brand®



- Material: Manufactured from the highest quality tensile steel, forged swivel tees, yokes and end fittings.
- Finish: Yellow end fittings, light blue body for quick recognition
- Identification: Manufacturer, Rated Load, Rope Size(s)
- Furnished with Bronze Bushings and Grease Nipples
- Blocks open for easy wire installation.
- Design Factor: 4:1
- Standard: EN 13157
- Rated in Metric Load(s)

Wire Dia. (in)	Sheave Dia. (in)	WLL (t)	Dimensions (in)								N.W. (lb)	Price / ea.	Part Number
			A	B	C	D	E	F	G	H			
5/16 - 3/8	3	2	9.27	3.00	2.64	7.27	0.50	0.50	1.32	1.56	5	STOCKED	6-3"419SB
3/8 - 1/2	4 1/2	4	13.38	4.24	3.13	10.57	0.62	0.69	1.70	2.00	12	STOCKED	6-4-1/2"419SB
5/8 - 3/4	6	8	18.93	6.00	4.19	14.68	1.25	1.25	3.00	3.47	27	STOCKED	6-6"419SB
5/8 - 3/4	8	8	20.99	8.12	4.19	15.68	1.25	1.25	3.00	3.47	34	STOCKED	6-8"419SB

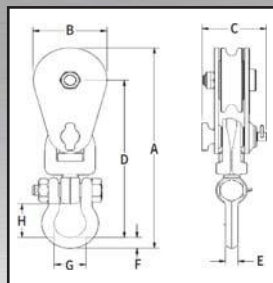
## Block - Snatch, Single Sheave, with Hook, Ocean Brand®



- Material: Manufactured from the highest quality tensile steel, forged swivel tees, yokes and end fittings.
- Finish: Yellow end fittings, light blue body for quick recognition
- Identification: Manufacturer, Rated Load, Rope Size(s)
- Furnished with Bronze Bushings and Grease Nipples
- Blocks open for easy wire installation.
- Design Factor: 4:1
- Standard: EN 13157
- Rated in Metric Load(s)

Wire Dia.		Sheave Dia. (in)	WLL (t)	Dimensions (in)								N.W. (lb)	Price / ea.	Part Number
(mm)	(in)			A	B	C	D	E	F	G	H			
19-22	3/4 - 7/8	8	15	23.50	8.12	5.09	8.34	1.76	16.51	1.50	2.93	51	STOCKED	6-8"420SBS
26-28	1 - 1 1/8	8	15	23.50	8.12	5.90	8.34	1.76	16.51	1.50	2.93	58	STOCKED	6-8"420SB

## Block - Snatch, Single Sheave, with Shackle, Ocean Brand®



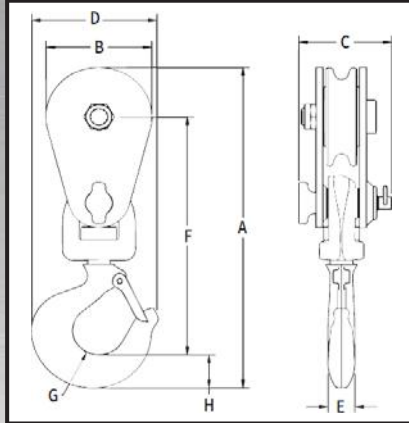
- Material: Manufactured from the highest quality tensile steel, forged swivel tees, yokes and end fittings.
- Finish: Yellow end fittings, light blue body for quick recognition
- Identification: Manufacturer, Rated Load, Rope Size(s)
- Furnished with Bronze Bushings and Grease Nipples
- Blocks open for easy wire installation.
- Design Factor: 4:1
- Standard: EN 13157
- Rated in Metric Load(s)

Wire Dia.		Sheave Dia. (in)	WLL (t)	Dimensions (in)								N.W. (lb)	Price / ea.	Part Number
(mm)	(in)			A	B	C	D	E	F	G	H			
19-22	3/4 - 7/8	8	15	23.50	8.12	5.09	17.19	1.50	1.75	3.12	3.12	63	STOCKED	6-8"421SB
29	1 1/8	8	15	23.50	8.12	5.25	17.19	1.50	1.75	3.12	3.12	59	STOCKED	6-8"421SBL



## Block - Snatch, Single Sheave, Large, Super Duty, with Hook, Ocean Brand®

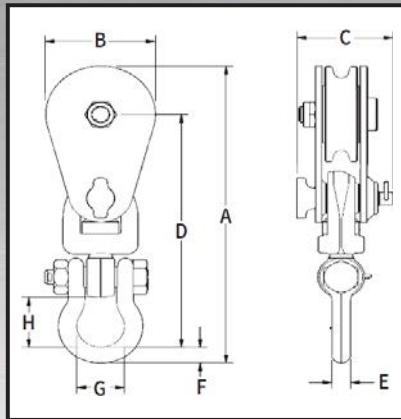
Rigging Blocks



- Material: Manufactured from the highest quality tensile steel, forged swivel tees, yokes and end fittings.
- Finish: Yellow end fittings, light blue body for quick recognition
- Identification: Manufacturer, Rated Load, Rope Size(s)
- Furnished with Bronze Bushings and Grease Nipples
- Blocks open for easy wire installation.
- Design Factor: 4:1
- Standard: EN 13157
- Rated in Metric Load(s)

Wire Dia.		Sheave Dia.	WLL	Dimensions (in)								N.W.	Price / ea.	Part Number
(mm)	(in)	(in)	(t)	A	B	C	D	E	F	G	H	(lb)		
25-29	1 - 1-1/8	8	20	25.84	8.12	6.00	9.39	2.00	18.43	1.50	3.38	102	STOCKED	6-8"430SB

## Block - Snatch, Single Sheave, Large, Super Duty, with Shackle, Ocean Brand®

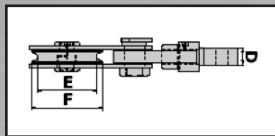
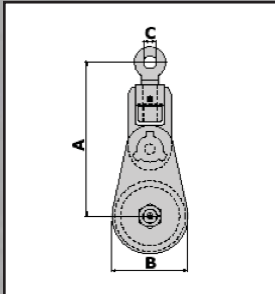


- Material: Manufactured from the highest quality tensile steel, forged swivel tees, yokes and end fittings.
- Finish: Yellow end fittings, light blue body for quick recognition
- Identification: Manufacturer, Rated Load, Rope Size(s)
- Furnished with Bronze Bushings and Grease Nipples
- Blocks open for easy wire installation.
- Design Factor: 4:1
- Standard: EN 13157
- Rated in Metric Load(s)

Wire Dia.		Sheave Dia.	WLL	Dimensions (in)								N.W.	Price / ea.	Part Number
(mm)	(in)	(in)	(t)	A	B	C	D	E	F	G	H	(lb)		
25-29	1 - 1 1/8	8	20	26.57	8.12	6.00	19.76	2.00	2.75	3.72	4.00	110	STOCKED	6-8"431SB
25	1	18	25	41.36	18.25	7.13	29.12	2.00	3.12	3.50	4.81	322	STOCKED	6-18"431SB
29	1 1/8	20	30	52.40	20.25	8.31	38.34	2.50	3.94	5.62	7.06	418	STOCKED	6-20"431SB



**Block - Snatch, Single Sheave, Heavy Duty, with Eye, GN®**



- Made in Holland
- Sheave with Bronze Bearing
- Shackles, available from stock, must be ordered separately
- Material: Constructed of HD mild steel
- Standard: EN 13157
- Design Factor: 4:1
- Finish: Painted
- Rated in in Metric Ton(s)

Wire Dia.		WLL Eye Pull	A	B	C	D	E	F	Wt. (kg)	Price / ea.	Part Number
(in)	(mm)	(t)	(mm)								
1	22-25	17	490	160	44	57	110	150	49	Pricing on Request	116-6"SB
1 1/8	25-28	25	602	220	53	70	150	200	80		116-8"SB
1 1/4	28-32	25	632	270	53	70	190	250	93	STOCKED	116-10"SB
1 1/4	28-32	25	662	320	53	70	240	300	109	Pricing on Request	116-12"SB
1 1/4	28-32	25	692	370	53	70	290	350	116		116-14"SB
1 1/2	32-38	35	835	470	60	80	380	450	211	STOCKED	116-18"SB
1 1/2	32-38	35	865	520	60	80	430	500	238	Pricing on Request	116-20"SB
1 1/2	32-38	35	925	625	60	80	535	605	284		116-24"SB
1 5/8	38-42	55	1040	625	73	100	520	605	460	STOCKED	116-24"55TSB
1 7/8	44-48	85	1212	780	85	120	630	750	890	Pricing on Request	116-30"SB
2	50-55	120	1327	880	100	140	740	860	1200		116-34"SB
2 1/2	60-70	150	1427	930	113	160	760	910	1530		116-36"SB
3	75-85	200	1630	1080	135	170	870	1060	2285		116-42"SB
3 1/2	88-93	250	1785	1190	145	190	970	1170	3015		116-46"SB

\*Tolerance:  
Forged parts +/- 5%  
Machined parts +/- 1mm

**WARNING**

A potential hazard exists when lifting or dragging heavy loads with tackle block assemblies. Failure to design and use tackle block systems properly may cause a load to slip or fall, the result could be serious injury or death. A tackle block system should be rigged by a qualified person as defined by ANSI/ASME B30.





*Safety is our first priority*



QMS 0726

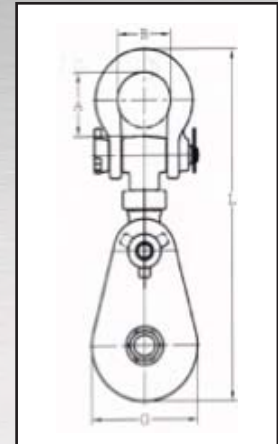
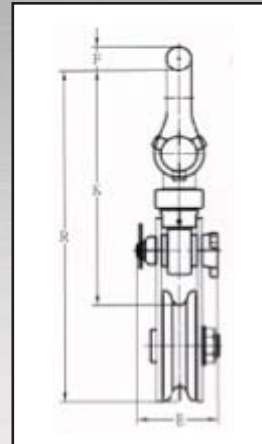


API Spec Q1  
Registered

Q1-0467

Rigging Blocks

**Block - Snatch, Single Sheave, Light Duty, with Shackle, Yoke®**



- YOKE light snatch blocks are manufactured from the highest quality tensile steel.
- YOKE light snatch blocks are designed with a safety factor of 4:1.
- YOKE light snatch blocks are available for wire rope sizes 5/16" to 3/4"
- YOKE light snatch blocks are supplied with model number, wire diameter and working load limit
- YOKE light snatch blocks are manufactured with bronze bushings and grease fitting for ease of use.
- Standard: EN 13157
- Rated in Metric Tons(s)

Wire Dia.		Sheave Dia. (in)	WLL (t)	Dimensions (in)								N.W. (lb)	Price / ea.	Part Number
(mm)	(in)			A	B	E	F	G	K	L	R			
8-10	5/16 - 3/8	3	2	1.38	1.18	2.52	0.43	2.95	5.91	8.96	8.53	5	STOCKED	28-501-02
10-13	3/8 - 1/2	4.5	4	2.52	1.97	3.11	0.75	4.21	9.57	14.02	13.27	13	STOCKED	28-501-04
16-19	5/8 - 3/4	6	8	3.43	2.99	4.09	1.26	5.98	12.60	19.06	17.80	29	STOCKED	28-501-08
16-19	5/8 - 3/4	8	8	3.43	2.99	4.09	1.26	8.66	13.10	21.90	20.64	43	STOCKED	28-501-0808

**Block - Gauge, Groove Gauges**



Size (in)	Price / ea.	Part Number
1-1/4 - 2-1/2	STOCKED	141-GR2

**Limited quantities**

- Sizes include; 1-1/4", 1-3/8", 1-1/2", 1-5/8", 1-3/4", 1-7/8", 2", 2-1/8", 2-1/4", 2-3/8", 2-1/2"



**WARNING**

A potential hazard exists when lifting or dragging heavy loads with tackle block assemblies. Failure to design and use tackle block systems properly may cause a load to slip or fall, the result could be serious injury or death. A tackle block system should be rigged by a qualified person as defined by ANSI/ASME B30.



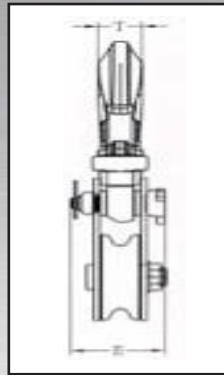
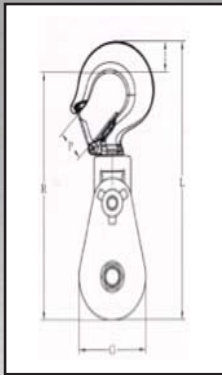
**WARNING**

NEVER EXCEED PUBLISHED WORKING LOAD LIMIT





**Block - Snatch, Single Sheave, Light Duty, with Hook, Yoke®**

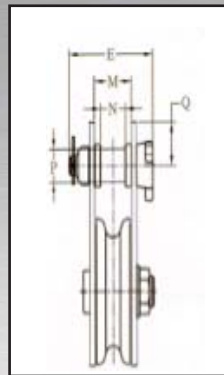
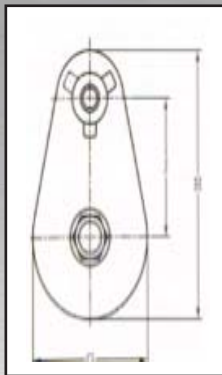


- YOKE light snatch blocks are manufactured from the highest quality tensile steel.
- YOKE light snatch blocks are designed with a safety factor of 4:1.
- YOKE light snatch blocks are available for wire rope sizes 5/16" to 3/4"
- YOKE light snatch blocks are supplied with model number, wire diameter and working load limit
- YOKE light snatch blocks are manufactured with bronze bushings and grease fitting for ease of use.
- Standard: EN 13157
- Rated in Metric Ton(s)

Wire Dia.		Sheave Dia. (in)	WLL (t)	Dimensions (in)								N.W. (lb)	Price / ea.	Part Number
(mm)	(in)			E	G	I	L	P	R	T				
8-10	5/16 - 3/8	3	2	2.52	2.95	1.00	9.90	1.15	8.80	0.69	6	STOCKED	28-502-02	
10-13	3/8 - 1/2	4.5	4	3.11	4.24	1.36	14.00	1.60	12.62	1.31	13	STOCKED	28-502-04	
16-19	5/8 - 3/4	6	8	4.09	5.98	2.13	19.20	2.03	16.80	1.50	29	STOCKED	28-502-08	
16-19	5/8 - 3/4	8	8	4.09	8.70	2.40	22.20	2.03	19.80	1.50	42	STOCKED	28-502-0808	

**Rigging Blocks**

**Block - Snatch, Single Sheave, Light Duty, Tail Board, Yoke®**



- YOKE light snatch blocks are manufactured from the highest quality tensile steel.
- YOKE light snatch blocks are designed with a safety factor of 4:1.
- YOKE light snatch blocks are available for wire rope sizes 5/16" to 3/4"
- YOKE light snatch blocks are supplied with model number, wire diameter and working load limit
- YOKE light snatch blocks are manufactured with bronze bushings and grease fitting for ease of use.
- Standard: EN 13157
- Rated in Metric Load(s)

Wire Dia.		Sheave Dia. (in)	WLL (t)	Dimensions (in)								N.W. (lb)	Price / ea.	Part Number
(mm)	(in)			E	G	H	J	M	N	P	Q			
8-10	5/16 - 3/8	3	2	2.52	2.95	4.88	2.64	0.98	0.67	0.75	0.75	3	STOCKED	28-503-02
10-13	3/8 - 1/2	4.5	4	3.11	4.21	7.72	4.21	1.50	1.06	1.14	1.38	8	STOCKED	28-503-04
16-19	5/8 - 3/4	6	8	4.09	5.98	9.84	5.12	1.81	1.22	1.30	1.73	15	STOCKED	28-503-08
16-19	5/8 - 3/4	8	8	4.09	8.66	12.80	6.73	1.81	1.22	1.40	1.73	29	STOCKED	28-503-0808



**WARNING**

A potential hazard exists when lifting or dragging heavy loads with tackle block assemblies. Failure to design and use tackle block systems properly may cause a load to slip or fall, the result could be serious injury or death. A tackle block system should be rigged by a qualified person as defined by ANSI/ASME B30.

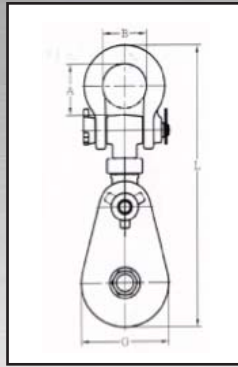
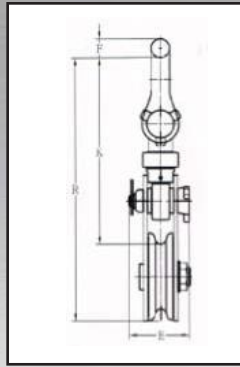


**WARNING**

NEVER EXCEED PUBLISHED WORKING LOAD LIMIT



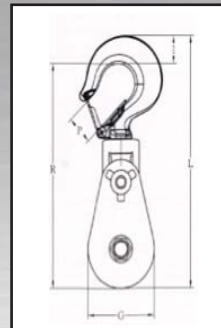
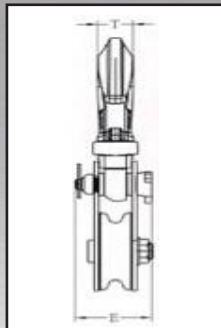
**Block - Snatch, Single Sheave, Forged, with Shackle, Yoke®**



- YOKE forged snatch blocks are manufactured from the highest quality alloy steel.
- YOKE forged snatch blocks are available in sizes from 12 tonnes to 15 tonnes
- YOKE forged snatch blocks designed with a safety factor 4:1
- YOKE forged snatch blocks are available for wire rope sizes 3/4" to 7/8".
- YOKE forged snatch blocks are supplied with model number, wire diameter and working load limit
- YOKE forged snatch blocks are manufactured with bronze bushings and grease fitting for ease of use and extended sheave life.
- Fatigue rated.
- Standard: EN 13157
- Rated in Metric Ton(s)

Wire Dia.		Sheave Dia.	WLL	Dimensions (in)								N.W.	Price / ea.	Part Number
(mm)	(in)	(in)	(t)	A	B	E	F	G	K	L	R	(lb)		
19-22	3/4 - 7/8	8	15	3.07	3.15	5.28	1.73	8.66	13.99	23.19	21.46	61	<b>STOCKED</b>	<b>28-541-15</b>

**Block - Snatch, Single Sheave, Forged, with Hook, Yoke®**



- YOKE forged snatch blocks are manufactured from the highest quality alloy steel.
- YOKE forged snatch blocks are available in sizes from 12 tonnes to 15 tonnes
- YOKE forged snatch blocks designed with a safety factor 4:1
- YOKE forged snatch blocks are available for wire rope sizes 3/4" to 7/8".
- YOKE forged snatch blocks are supplied with model number, wire diameter and working load limit
- YOKE forged snatch blocks are manufactured with bronze bushings and grease fitting for ease of use and extended sheave life.
- Fatigue rated.
- Standard: EN 13157
- Rated in Metric Ton(s)

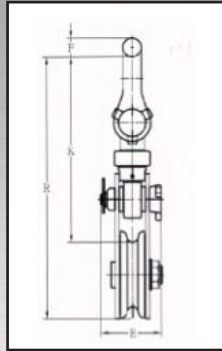
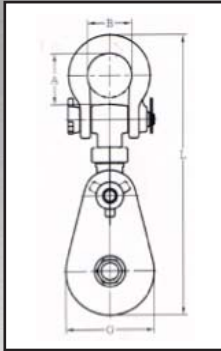
Wire Dia.		Sheave Dia.	WLL	Dimensions (in)							N.W.	Price / ea.	Part Number
(mm)	(in)	(in)	(t)	E	G	I	L	P	R	T	(lb)		
19-22	3/4-7/8	8	15	5.28	8.67	2.63	24.20	2.60	21.50	2.25	62	<b>STOCKED</b>	<b>28-542-15</b>

**WARNING** A potential hazard exists when lifting or dragging heavy loads with tackle block assemblies. Failure to design and use tackle block systems properly may cause a load to slip or fall, the result could be serious injury or death. A tackle block system should be rigged by a qualified person as defined by ANSI/ASME B30.





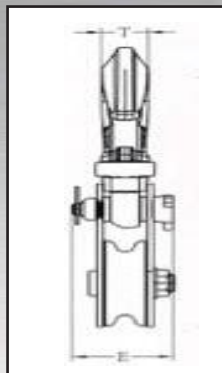
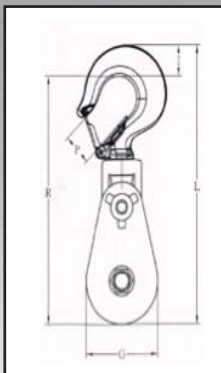
**Block - Snatch, Single Sheave, Alloy, with Shackle, Yoke®**



- YOKE alloy snatch blocks are manufactured from the highest quality alloy steel.
- YOKE alloy snatch blocks are available in sizes of 12 tonnes.
- YOKE alloy snatch blocks are designed with a safety factor of 4:1.
- YOKE alloy snatch blocks are available for wire rope sizes 3/4" to 7/8".
- YOKE alloy snatch blocks are supplied with model number, wire diameter and working load limit
- YOKE alloy snatch blocks are manufactured with bronze bushings and grease fitting for ease of use and extended sheave life.
- Fatigue rated.
- Standard: EN 13157
- Rated in Metric Ton(s)

Wire Dia.		Sheave Dia. (in)	WLL (t)	Dimensions (in)								N.W. (lb)	Price / ea.	Part Number
(mm)	(in)			A	B	E	F	G	K	L	R			
19-22	3/4 - 7/8	8	12	3.43	2.99	4.09	1.26	8.66	13.10	21.90	20.64	36	STOCKED	28-561-1208
19-22	3/4 - 7/8	10	12	3.43	2.99	4.09	1.26	11.00	12.87	23.86	22.00	45	STOCKED	28-561-1210

**Block - Snatch, Single Sheave, Alloy, with Hook, Yoke®**



- YOKE alloy snatch blocks are manufactured from the highest quality alloy steel.
- YOKE alloy snatch blocks are available in sizes of 12 tonnes.
- YOKE alloy snatch blocks are designed with a safety factor of 4:1.
- YOKE alloy snatch blocks are available for wire rope sizes 3/4" to 7/8".
- YOKE alloy snatch blocks are supplied with model number, wire diameter and working load limit
- YOKE alloy snatch blocks are manufactured with bronze bushings and grease fitting for ease of use and extended sheave life.
- Fatigue rated.
- Standard: EN 13157
- Rated in Metric Ton(s)

Wire Dia.		Sheave Dia. (in)	WLL (t)	Dimensions (in)							N.W. (lb)	Price / ea.	Part Number
(mm)	(in)			E	G	I	L	P	R	T			
19-22	3/4 - 7/8	10	12	4.09	11.0	1.89	23.43	2.00	21.54	1.65	46	STOCKED	28-562-1210



**WARNING**

A potential hazard exists when lifting or dragging heavy loads with tackle block assemblies. Failure to design and use tackle block systems properly may cause a load to slip or fall, the result could be serious injury or death. A tackle block system should be rigged by a qualified person as defined by ANSI/ASME B30.



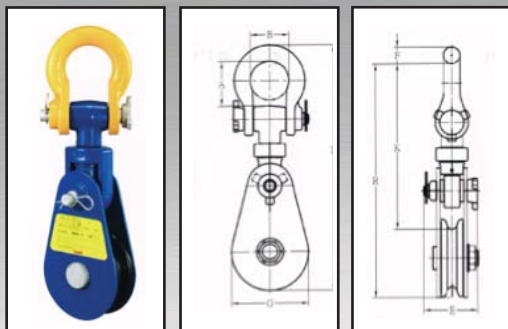
**WARNING**

NEVER EXCEED PUBLISHED WORKING LOAD LIMIT





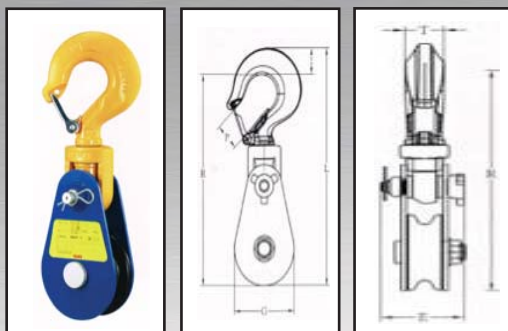
## Block - Snatch, Single Sheave, Super Duty, with Shackle, Yoke®



- YOKE super snatch blocks are manufactured from the highest quality tensile steel.
- YOKE super snatch blocks are available in sizes of 20 tonnes.
- YOKE super snatch blocks are designed with a safety factor of 4:1.
- YOKE super snatch blocks are available for wire rope sizes 1" to 1 1/8"
- YOKE super snatch blocks are supplied with model number, wire diameter and working load limit
- YOKE super snatch blocks are manufactured with bronze bushings and grease fitting for ease of use and extended sheave life.
- Fatigue rated.
- Standard: EN 13157
- Rated in Metric Ton(s)

Wire Dia.		Sheave Dia.	WLL	Dimensions (in)								N.W.	Price / ea.	Part Number
(mm)	(in)	(in)	(t)	A	B	E	F	G	K	L	R	(lb)		
25-29	1 - 1 1/8	8	20	4.29	3.66	5.91	2.17	8.50	17.40	26.42	24.88	91	STOCKED	28-551-20

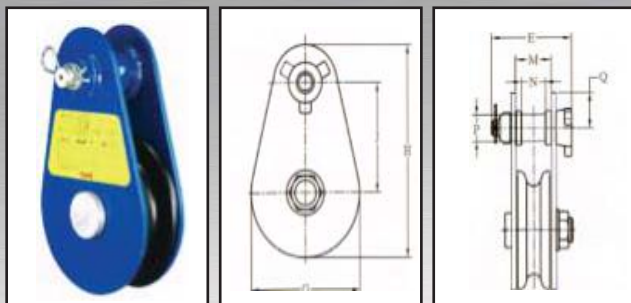
## Block - Snatch, Single Sheave, Super Duty, with Hook, Yoke®



- YOKE super snatch blocks are manufactured from the highest quality tensile steel.
- YOKE super snatch blocks are available in sizes of 20 tonnes.
- YOKE super snatch blocks are designed with a safety factor of 4:1.
- YOKE super snatch blocks are available for wire rope sizes 1" to 1 1/8"
- YOKE super snatch blocks are supplied with model number, wire diameter and working load limit
- YOKE super snatch blocks are manufactured with bronze bushings and grease fitting for ease of use and extended sheave life.
- Fatigue rated.
- Standard: EN 13157
- Rated in Metric Ton(s)

Wire Dia.		Sheave Dia.	WLL	Dimensions (in)							N.W.	Price / ea.	Part Number
(mm)	(in)	(in)	(t)	E	G	I	L	P	R	T	(lb)		
25-29	1 - 1 1/8	8	20	6.17	8.51	3.00	28.00	3.38	25.30	2.38	91	STOCKED	28-552-20

## Block - Snatch, Single Sheave, Super Duty, Tail Board, Yoke®



- YOKE super snatch blocks are manufactured from the highest quality tensile steel.
- YOKE super snatch blocks are available in sizes of 20 tonnes.
- YOKE super snatch blocks are designed with a safety factor of 4:1.
- YOKE super snatch blocks are available for wire rope sizes 1" to 1 1/8"
- YOKE super snatch blocks are supplied with model number, wire diameter and working load limit
- YOKE super snatch blocks are manufactured with bronze bushings and grease fitting for ease of use and extended sheave life.
- Fatigue rated.
- Rated in Metric Ton(s)

Wire Dia.		Sheave Dia.	WLL	Dimensions (in)								N.W.	Price / ea.	Part Number
(mm)	(in)	(in)	(t)	E	G	H	J	M	N	P	Q	(lb)		
25-29	1 - 1 1/8	8	20	6.20	8.50	13.50	6.89	2.52	1.93	2.09	2.36	50	STOCKED	28-553-20



### WARNING

A potential hazard exists when lifting or dragging heavy loads with tackle block assemblies. Failure to design and use tackle block systems properly may cause a load to slip or fall, the result could be serious injury or death. A tackle block system should be rigged by a qualified person as defined by ANSI/ASME B30.

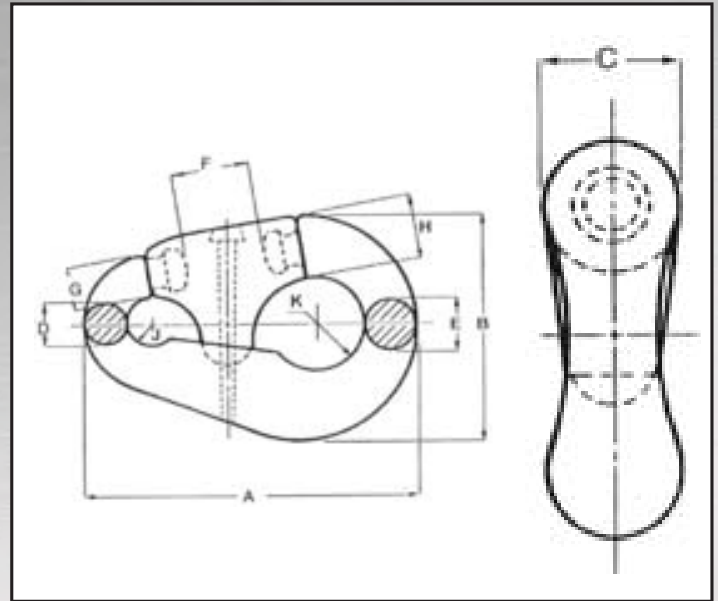


### WARNING

NEVER EXCEED PUBLISHED WORKING LOAD LIMIT

## Link - Connecting, Pear, Anchor Joining

- Pricing on availability
- See Page 31 for in-stock Pear Links



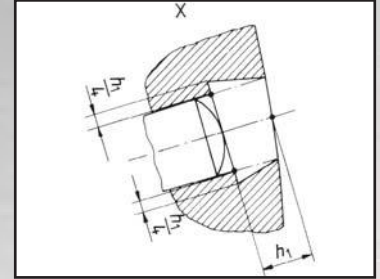
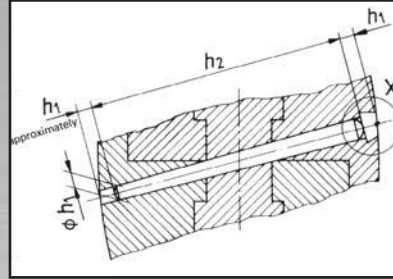
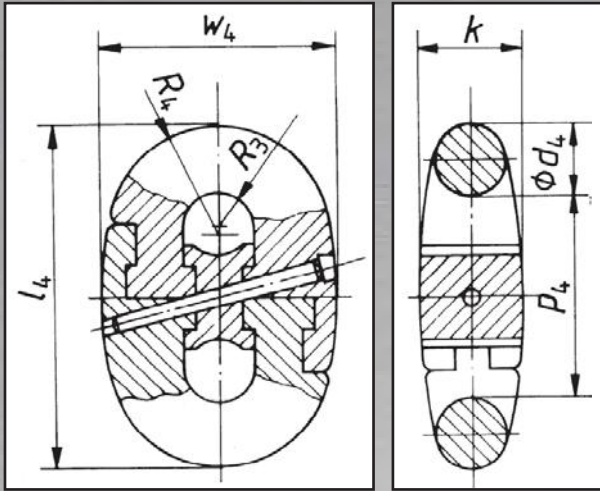
No	Size (mm)	Dimensions (mm)										Wt. (kg)	Proof (lb)	Break (lb)
		A	B	C	D	E	F	G	J	H	K			
2	19-24	194	132	38	24	32	57	24	35	17	30	3.6	74 936	106 894
3	25-30	238	167	46	30	38	66	33	45	19	35	6.5	116 812	166 843
4	32-40	299	206	59	40	48	83	40 x4 5	56	26	43	14.5	201 446	288 724
5	42-51	378	260	76	51	64	100	51 x 60	74	32	52	27	320 462	457 771
6	52-60	454	313	92	60	76	121	62 x 73	88	37	64	49	439 918	628 581
7	62-79	562	376	121	79	95	149	86 x 79	111	48	76	92	731 948	1 045 798
8	81-92	654	419	133	92	124	149	111 x 102	130x133	54	79	149	958 299	1 369 125
9	94-95	692	435	146	98	130	159	124 x 137	141	57	83	236	1 018 909	1 454 860
10	97-102	889	572	191	121	165	191	130 x 148	181	73	108	386	1 150 708	1 644 184
11	103-108	940	610	203	127	175	203	156	200	76	111	418	1 271 708	1 818 300
12	110-114	991	648	216	133	184	216	165 x 167	210 x 200	105	114	459	1 404 609	2 007 624

**WARNING** A potential hazard exists when lifting or dragging heavy loads with tackle block assemblies. Failure to design and use tackle block systems properly may cause a load to slip or fall, the result could be serious injury or death. A tackle block system should be rigged by a qualified person as defined by ANSI/ASME B30.



## Shackle - Kenter Shackle, Joining Link

- Pricing on availability
- Sizes available up to 162 mm
- See page 30 for in-stock Kenter Shackles
- Measurements are in millimeter(s).



Chain & Chain Accessories

Nominal Size (d common link = d4)	l4	p4	w4	h1	h2	k	R3	R4
12.5	75	50	53	4	45	19	8.5	23
14	84	56	59	6	45	21	9.5	26
16	96	64	67		55	24	10.5	29
17.5	105	70	74		60	27	12	32
19	114	76	80	6	65	29	13	35
20.5	123	82	86		70	31	14	38
22	132	88	92		75	33	15	40
24	144	96	101	10	80	36	16	44
26	156	104	109		85	40	17.5	48
28	168	112	118		95	43	19	51
30	180	120	126	10	100	46	20	55
32	192	128	134		110	49	21.5	59
34	204	136	143		115	52	23	62
36	216	144	151	12	120	55	24	66
38	228	152	160		130	58	25	70
40	240	160	168		140	61	27	73
42	252	168	176	16	140	64	28	77
44	264	176	185		150	67	29	81
46	276	184	193		160	70	31	84

Reference Material

Nominal Size (d common link = d4)	l4	p4	w4	h1	h2	k	R3	R4
48	288	192	202	16	160	73	32	88
50	300	200	210		170	76	34	92
52	312	208	218		180	79	35	95
54	324	216	227	20	180	82	36	99
56	336	224	235		190	85	38	102
58	348	232	244		200	88	39	106
60	360	240	252	20	200	91	40	110
62	372	248	260		220	94	42	113
64	384	256	269		220	97	43	117
66	396	264	277	25	220	100	44	121
68	408	272	286		220	103	46	124
70	420	280	294		240	106	47	128
73	438	292	307	25	260	111	49	134
76	456	304	319		260	115	51	139
78	468	312	328		260	119	52	143
81	486	324	340	30	280	123	54	148
84	504	336	353		280	128	57	154
87	522	348	365		300	132	58	159
90	540	360	378	30	300	137	60	165
92	552	368	386		320	140	62	168
95	570	380	399		320	144	64	174
97	582	388	407	35	340	147	65	178
100	600	400	420		340	152	67	183
102	612	408	428		360	155	68	187
105	630	420	441	35	360	160	70	192
107	642	428	449		360	163	72	196
111	666	444	466		380	169	74	203
114	684	456	479	40	380	173	76	207



**WARNING**

A potential hazard exists when lifting or dragging heavy loads with tackle block assemblies. Failure to design and use tackle block systems properly may cause a load to slip or fall, the result could be serious injury or death. A tackle block system should be rigged by a qualified person as defined by ANSI/ASME B30.



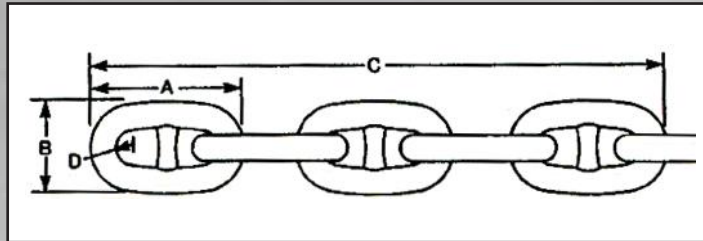
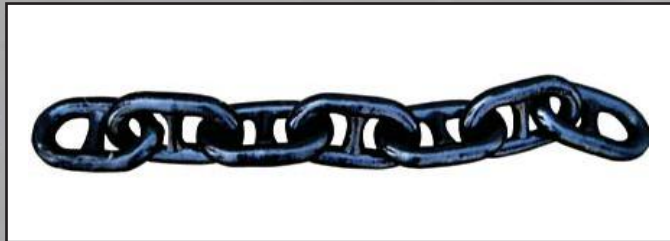
**WARNING**

NEVER EXCEED PUBLISHED WORKING LOAD LIMIT



## Chain - Stud Link Anchor

- Reference Chart estimate formulated values
- See page 30 for in-stock Stud Link Anchor Chain



Chain size		Link Length		5 Links	Grip Radius	Weight / 15 fathom shot (aprox.) (lb)	No. of links / 15 fathom shot (lb)	Grade 2		Grade 3		Grade 4	
(in)	(mm)	A (in)	B (in)	C (in)	D (in)			Proof Test (lb)	Break Test (lb)	Proof Test (lb)	Break Test (lb)	Proof Test (lb)	Break Test (lb)
5/8	16	3-3/4	2-1/4	13-3/4	3/8	365	432	23,745	33,220	33,220	47,465	53105	67365
3/4	19	4-1/2	2-5/8	16-1/2	1/2	480	357	34,000	47,600	47,600	68,000	74466	94462
13/16	20	4-7/8	2-7/8	17-7/8	17/32	570	329	39,800	55,700	55,700	79,500	82356	104470
7/8	22	5-1/4	3-1/8	19-1/4	37/64	660	305	46,000	64,400	64,400	91,800	99274	125931
15/16	24	5-5/8	3-5/16	20-5/8	5/8	760	285	52,600	73,700	73,700	105,000	117697	149301
1	25	6	3-9/16	22	21/32	860	267	59,700	83,600	83,600	119,500	127467	161694
1-1/16	27	6-3/8	3-3/4	23-3/8	11/16	970	251	67,200	94,100	94,100	135,000	148111	187881
1-1/8	28	6-3/4	4	24-3/4	25/32	1080	237	75,000	105,000	105,000	150,000	158980	201670
1-3/16	30	7-1/8	4-1/4	26-1/8	25/32	1220	225	83,400	116,500	116,500	167,000	181804	230622
1-1/4	32	7-1/2	4-1/2	27-1/2	25/32	1350	213	92,200	129,000	129,000	184,000	206057	261387
1-5/16	33	7-7/8	4-3/4	28-7/8	7/8	1490	203	101,500	142,000	142,000	203,000	218714	277442
1-3/8	34	8-1/4	4-15/16	30-1/4	7/8	1630	195	111,000	155,000	155,000	222,000	231721	293942
1-7/16	36	8-5/8	5-3/16	31-5/8	15/16	1780	187	120,500	169,000	169,000	241,000	258777	328263
1-1/2	38	9	5-3/8	33	63/64	1940	179	131,000	183,500	183,500	262,000	287207	364327
1-9/16	40	9-3/8	5-5/8	34-3/8	1-1/32	2090	171	142,000	198,500	198,500	284,000	316991	402109
1-5/8	42	9-3/4	5-7/8	35-3/4	1-1/16	2240	165	153,000	214,000	214,000	306,000	348112	441587
1-11/16	43	10-1/8	6-1/16	37-1/8	1-3/32	2410	159	166,500	229,000	229,000	327,000	364168	461954
1-3/4	44	10-1/2	6-5/16	38-1/2	1-5/32	2590	153	176,000	247,000	247,000	352,000	380551	482736
1-13/16	46	10-7/8	6-1/2	39-7/8	1-3/16	2790	147	188,500	264,000	264,000	377,000	414289	525533
1-7/8	48	11-1/4	6-3/4	41-1/4	1-1/4	2980	143	201,000	281,000	281,000	402,000	449307	569955
1-15/16	50	11-5/8	7	42-5/8	1-9/32	3180	139	214000	299000	299000	427000	485587	615976
2	51	12	7-3/16	44	1-5/16	3360	133	227000	318000	318000	454000	504195	639580
2-1/16	52	12-3/8	7-7/16	45-3/8	1-3/8	3570	129	241000	337000	337000	482000	523110	663575
2-1/8	54	12-3/4	7-5/8	46-3/4	1-27/64	3790	125	255000	357000	357000	510000	561858	712727
2-3/16	56	13-1/8	7-7/8	48-1/8	1-15/32	4020	123	269000	377000	377000	538000	601811	763409
2-1/4	58	13-1/2	8-1/8	49-1/2	1-1/2	4250	119	284000	396000	396000	570000	642952	815596
2-5/16	59	13-7/8	8-5/16	50-7/8	1-17/32	4490	117	299000	418000	418000	598000	663961	842247
2-3/8	60	14-1/4	8-9/16	52-1/4	1-9/16	4730	113	314000	440000	440000	628000	685261	869266
2-7/16	62	14-5/8	8-3/4	53-5/8	1-5/8	4960	111	330000	462000	462000	660000	728720	924394
2-1/2	64	15	9	55	1-5/8	5270	107	346000	484000	484000	692000	773310	980958
2-9/16	66	15-3/8	9-1/4	56-3/8	1-11/16	5540	105	363000	507000	507000	726000	819012	1038932
2-5/8	67	15-3/4	9-7/16	57-3/4	1-11/16	5820	103	379000	530000	530000	758000	842275	1068442
2-11/16	68	16-1/8	9-11/16	59-1/8	1-3/4	6110	99	396000	554000	554000	792000	865809	1098295
2-3/4	70	16-1/2	9-7/8	60-1/2	1-13/16	6410	97	413000	578000	578000	826000	913681	1159021
2-13/16	71	16-7/8	10-1/8	61-7/8	1-27/32	6710	95	431000	603000	603000	861000	938014	1189889
2-7/8	73	17-1/4	10-3/8	63-1/4	1-7/8	7020	93	449000	628000	628000	897000	987464	1252617
2-15/16	75	17-5/8	10-9/16	64-5/8	1-7/8	7330	91	467000	654000	654000	934000	1037943	1316650



### WARNING

A potential hazard exists when lifting or dragging heavy loads with tackle block assemblies. Failure to design and use tackle block systems properly may cause a load to slip or fall, the result could be serious injury or death. A tackle block system should be rigged by a qualified person as defined by ANSI/ASME B30.



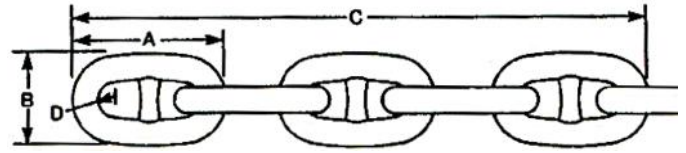
### WARNING

NEVER EXCEED PUBLISHED WORKING LOAD LIMIT



## Chain - Stud Link Anchor (continued)

- Reference Chart estimate formulated values
- Sizes available up to 210 mm
- See page 30 for in-stock Stud Link Anchor Chain



Chain size		Link Length		5 Links	Grip Radius	Weight / 15 fathom shot (approx.) (lb)	No. of links / 15 fathom shot (lb)	Grade 2		Grade 3		Grade 4	
(in)	(mm)	A (in)	B (in)	C (in)	D (in)			Proof Test (lb)	Break Test (lb)	Proof Test (lb)	Break Test (lb)	Proof Test (lb)	Break Test (lb)
3	76	18	10-13/16	66	2	7650	89	485000	679000	679000	970000	1063562	1349148
3-1/16	78	18-3/8	11	67-3/8	2	7980	87	504000	705000	705000	1008000	1115549	1415094
3-1/8	79	18-3/4	11-1/4	68-3/4	2-1/16	8320	85	523000	732000	732000	1046000	1141911	1448536
3-3/16	81	19-1/8	11-1/2	70-1/8	2-1/16	8660	85	542000	759000	759000	1084000	1195364	1516341
3-1/4	83	19-1/2	11-11/16	71-1/2	2-1/8	9010	83	562000	787000	787000	1124000	1249771	1585357
3-5/16	84	19-7/8	11-15/16	72-7/8	2-1/8	9360	81	582000	814000	814000	1163000	1277326	1620312
3-3/8	86	20-1/4	12-1/8	74-1/4	2-3/16	9730	79	602000	843000	843000	1204000	1333129	1691099
3-7/16	87	20-5/8	12-3/8	75-5/8	2-3/16	10100	77	622000	871000	871000	1244000	1361372	1726925
3-1/2	90	21	12-5/8	77	2-5/16	10500	77	643000	900000	900000	1285000	1447439	1836103
3-5/8	92	21-3/4	12-15/16	79-3/4	2-5/16	11300	73	685000	958000	958000	1369000	1505908	1910272
3-3/4	95	22-1/2	13-3/8	82-1/2	2-15/32	12000	71	728000	1019000	1019000	1455000	1595203	2023544
3-7/8	98	23-1/4	14	85-1/4	2-15/32	12900	69	772000	1080000	1080000	1543000	1686351	2139167
4	102	24	14-3/8	88	2-5/8	13700	67	816000	1143000	1143000	1673200	1810655	2296849
4-1/8	105	24-3/4	14-11/16	90-3/4	2-11/16	14560	65	861800	1206600	1206600	1723700	1905881	2417646
4-1/4	109	25-1/2	15-3/16	93-1/2	2-3/4	15350	63	908300	1271800	1271800	1816800	2035396	2581937
4-3/8	111	26-1/4	15-9/16	96-1/4	2-7/8	16200	61	955700	1338000	1338000	1911300	2101202	2665413
4-1/2	114	27	16	99	2-15/16	17100	59	1003700	1405300	1405300	2007500	2201169	2792224
4-5/8	117	27-3/4	16-7/16	101.75	3	18000	57	1052600	1473600	1473600	2105200	2302592	2920880
4-3/4	120	28-1/2	16-7/8	104.5	3-1/16	18900	57	1102100	1542900	1542900	2204200	2405405	3051301
4-13/16	122	28-11/16	17	105.87	3-1/8	19400	57	1127300	1578200	1578200	2254600	2474689	3139189
4-7/8	124	29-1/4	17-3/8	107.25	3-3/16	19900	55	1152500	1613400	1613400	2304900	2544546	3227803
5	127	30	17-13/16	110	3-1/4	20900	53	1203300	1684600	1684600	2406600	2650361	3362032
5-1/8	130	30-3/4	18-1/4	112.75	3-5/16	22000	52	1254700	1756600	1756600	2509400	2757359	3497761
5-3/16	132	31-1/8	18-7/16	114.12	3-3/8	22500	51	1280600	1792900	1792900	2561300	2829316	3589040
5-7/16	139	32-5/8	19-3/8	119.62	3-1/2	24500	49	1385700	1940000	1940000	2771400	3084812	3913141
5-5/8	144	33-3/4	20	123.75	3-11/16	26100	47	1465800	2052100	2052100	2931500	3270456	4148634
5-13/16	148	34-15/16	20-3/4	127.87	3-3/4	27600	46	1546800	2165500	2165500	3093600	3420635	4339139
6	152	36	21-3/8	130	3-7/8	29100	45	1628700	2280200	2280200	3257400	3572132	4531316

## New Chain



### WARNING

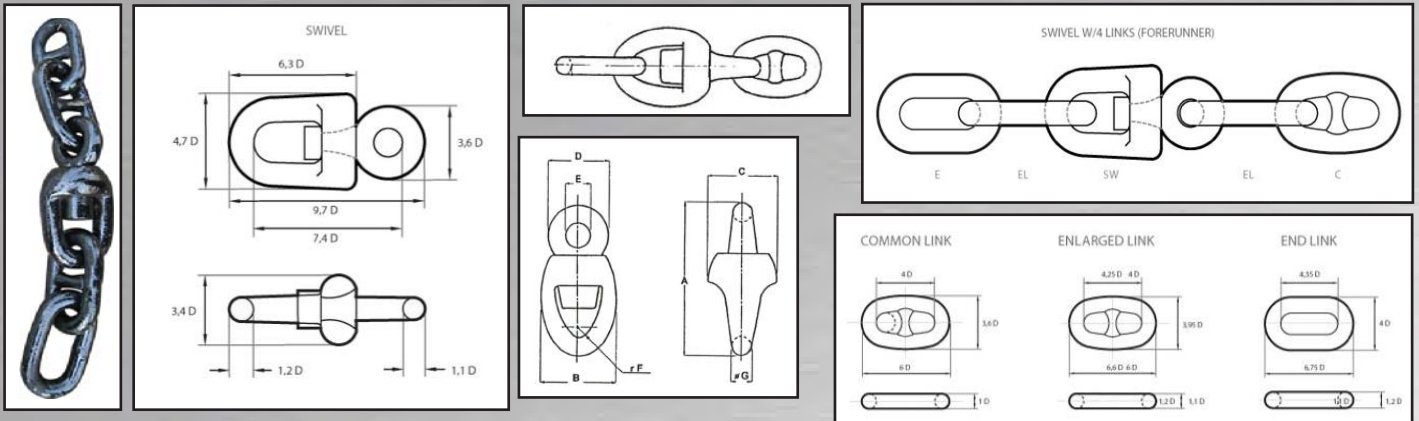
A potential hazard exists when lifting or dragging heavy loads with tackle block assemblies. Failure to design and use tackle block systems properly may cause a load to slip or fall, the result could be serious injury or death. A tackle block system should be rigged by a qualified person as defined by ANSI/ASME B30.



### WARNING

NEVER EXCEED PUBLISHED WORKING LOAD LIMIT

## Swivel - Forerunner, Assembly, with Links



- Material: Grade 3
- Standard: ISO 1704
- Finish: Black Bitumen
- Identification: Size/WLL, Batch Code
- Certification: Lloyd's Certificate (on request)

Chain Dia. mm	Dimensions (mm)							Weight lb	Proof Load lb	Break Load lb	Price / ea.	Part Number
	A	B	C	D	E	F	G					
17-19	173	76	76	66	27	19	19	5.0	47 210	67 443	STOCKED	20-19MMSFR
21-22	198	90	90	30	30	22	22	7.1	63 171	90 148	STOCKED	20-22MMSFR
24-29	258	102	102	44	44	25	25	14.3	101 164	144 327	STOCKED	20-28MMSFR
30-35	290	160	124	116	116	25	36	46.3	147 250	210 421	STOCKED	20-34MMSFR
36-42	373	202	146	145	145	32	46	87.1	182 545	260 778	STOCKED	20-38MMSFR
43-48	430	230	165	183	183	36	60	145.5	263 251	376 105	STOCKED	20-46MMSFR
49-58	516	278	200	212	212	39	65	229.2	382 625	546 286	STOCKED	20-56MMSFR
59-67	575	307	230	235	235	46	68	313.1	491 657	702 078	STOCKED	20-64MMSFR

Chain size (mm)	Dimensions (mm)							Weight (kg)	Proof Load (lb)	Break Load (lb)
	A	B	C	D	E	F	G			
13-16	137	62	62	52	20	12	16	1.35	33,280	47,606
17-19	173	76	76	66	27	19	19	2.25	47,210	67,443
21-22	198	90	90	30	30	22	22	3.20	63,171	90,148
24-29	258	102	102	44	44	25	25	6.5	101,164	144,327
30-35	290	160	124	116	116	25	36	21	147,250	210,421
36-42	373	202	146	145	145	32	46	39.5	182,545	260,778
43-48	430	230	165	183	183	36	60	66	263,251	376,105
49-58	516	278	200	212	212	39	65	104	382,625	546,286
59-67	575	307	230	235	235	46	68	142	491,657	702,078
68-73	650	345	260	256	256	50	79	208	628,140	897,028
75-79	757	370	325	281	281	62	94	276	731,948	1,045,798
81-86	760	420	272	310	310	57	95	336	847,218	1,210,216
87-92	800	430	290	320	320	60	98	376	958,299	1,369,125
94-98	882	460	333	354	354	66	118	557	1,079,960	1,542,815
100-102	918	480	348	368	368	69	122	612	1,150,708	1,644,184
105-111	1000	530	378	400	400	74	133	797	1,337,828	1,911,309
114	1026	542	390	417	417	76	137	871	1,404,609	2,007,624

Reference Material





## Chain - Open Link



- Sold in 90 ft shots
- Material: Grade 2
- Standard: ISO 1704
- Finish: Black Bitumen
- Identification: Size/WLL, Batch Code

Diameter (in)	Weight / 90 ft shot (lb)	Inside Length (in)	Inside Width (in)	Break Load (lb)	Price / ea.	Part Number
3/4	445	3	1.11	42 000	STOCKED	6-3/4G2OL
1 1/8	990	4.33	1.70	91 100	STOCKED	6-1-1/8G2OL
1 1/4	1256	5	1.97	128 714	STOCKED	6-1-1/4G2OL

## Chain - Stud Link Anchor



- Sold in 90 ft shots
- Material: Grade 2, 3
- Standard: ISO 1704
- Finish: Black Bitumen
- Identification: Size/WLL, Batch Code
- Certification: Lloyd's Certificate (on request)

Dia. (in)	Dia. (mm)	Grade	Weight / 15 fathom (lb)	Break Load (lb)	Price / ea.	Part Number
7/8	22	2	660	64 400	STOCKED	6-7/8G2SL
1	25	2	860	83 600	STOCKED	6-1G2SL
1 1/8	28	2	1080	105 000	STOCKED	6-1-1/8G2SL
1 1/4	32	2	1350	129 000	STOCKED	6-1-1/4G2SL
1 1/2	38	2	1940	183 500	STOCKED	6-1-1/2G2SL
1 1/2	38	3	1940	262 000	STOCKED	6-1-1/2G2SL
1 5/8	42	3	2240	306 000	STOCKED	26-42MMU3SL
2	51	3	3360	454 000	STOCKED	6-2G3SL
2 1/2	64	3	5270	692 000	STOCKED	6-2-1/2G3SL

## Shackle - Kenter Shackle, Joining Link

Size (in)	Grade	Price / ea.	Part Number
7/8	2	STOCKED	6-7/8"KS2
1	2	STOCKED	6-1"KS2
1-1/8	2	STOCKED	6-1-1/8"KS2
1-1/4	2	STOCKED	6-1-1/4"KS2
1-1/2	2	STOCKED	6-1-1/2"KS2
1-1/2	3	STOCKED	6-1-1/2"KS3
1-5/8	3	STOCKED	26-42MMU3K5
2	3	STOCKED	6-2"KS3
2-1/4	3	STOCKED	6-2-1/4"KS3
2-1/2	3	STOCKED	6-2-1/2"KS3

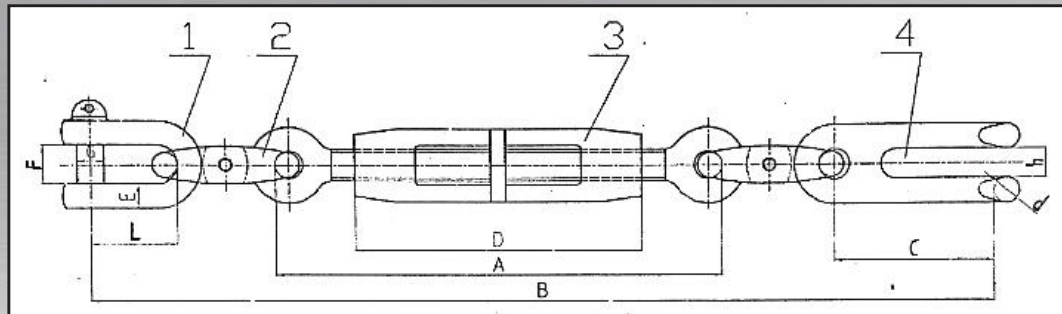
- Material: Grade 2, 3
- Standard: ISO 1704
- Certification: Lloyd's Certificate (on request)
- Identification: Size/WLL, Batch Code
- Finish: Black Bitumen



**WARNING** To prevent the possibility of serious bodily harm: DO NOT EXCEED the working load limit of chain or components. DO NOT USE FOR OVERHEAD LIFTING OR HOISTING. DO NOT USE if the chain or components are visibly distorted or worn.



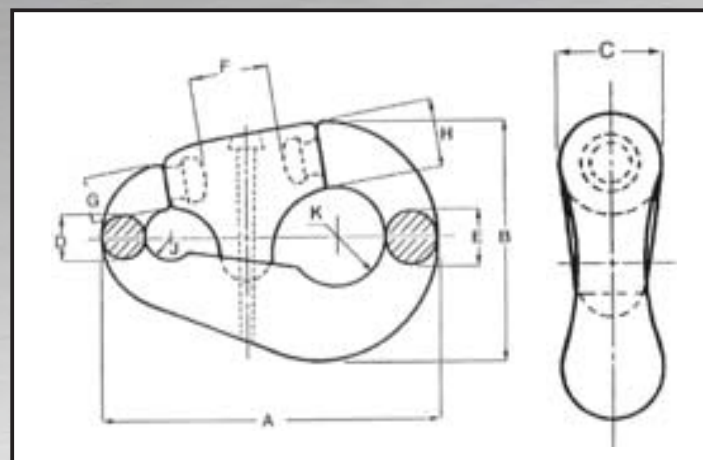
## Turnbuckle - Chain Stopper Assembly, Devil's Claw



- Material: Grade 3
- Standard: ISO 1704
- Finish: Black Bitumen
- Identification: Size/WLL
- Rated in Metric Ton(s)

Chain Size		MPF (t)	MBF (t)	Dimensions (mm)											Price / ea.	Part Number
(in)	(mm)			B Min.	B Max.	A	D	C	E	F	G	h	d	L		
3/4 - 7/8	19 - 22	29.3	41.7	876	1067	438	279	134.5	25	43	34	27	26	95.5	STOCKED	20-19-22MMDCCS
15/16 - 1 1/4	24 - 32	58.6	83.6	1186	1415	589	380	229	32	52	44	37	33	117.5	STOCKED	20-24-32MMDCCS
1 5/16 - 1 5/8	33 - 41	83.3	118.9	1346	1613	604	406	264	38	60	55	46	45	142.5	STOCKED	20-33-41MMDCCS
1 11/16 - 2 3/8	43 - 60	83.3	118.9	1454	1721	612	406	355	41	73	55	65	65	150	STOCKED	20-43-60MMDCCS

## Link - Connecting, Pear, Anchor Joining



- See page 25 for schematics
- Material: Grade 3
- Standard: ISO 1704
- Finish: Black Bitumen
- Identification: Size/WLL, Batch Code
- Certification: ABS Certificate (on request)

No.	Size (mm)	Weight (lb)	Proof Load (lb)	Break Load (lb)	Price / ea.	Part Number
2	19-24	7.9	74 861	107 009	STOCKED	20-#2PEARLINK
3	25-30	14.3	115 552	165 235	STOCKED	20-#3PEARLINK
4	32-40	32.0	201 654	288 879	STOCKED	20-#4PEARLINK
5	42-51	59.5	319 678	457 486	STOCKED	20-#5PEARLINK
6	52-60	108.0	436 579	621 822	STOCKED	20-#6PEARLINK

Chain & Chain Accessories

**WARNING** To prevent the possibility of serious bodily harm: DO NOT EXCEED the working load limit of chain or components. DO NOT USE FOR OVERHEAD LIFTING OR HOISTING. DO NOT USE if the chain or components are visibly distorted or worn.

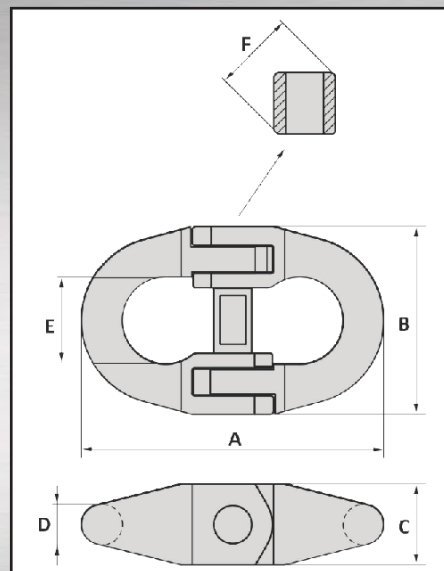
**WARNING**  
NEVER EXCEED PUBLISHED WORKING LOAD LIMIT



## Link - Connecting Link for Pennant Lines, GN®



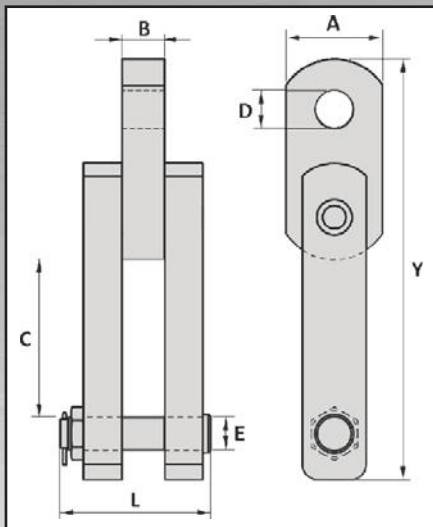
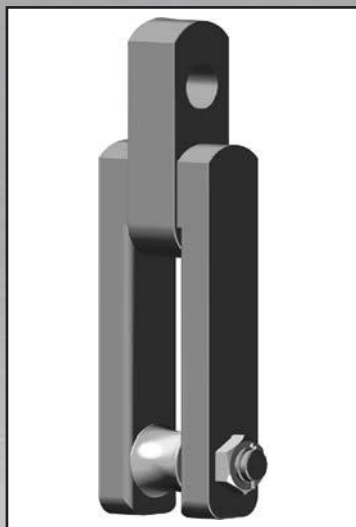
- Material: Alloy steel
- Finish: Painted
- Design Factor: 5:1
- Temperature Range: -20°C up to +200°C
- Certification: Certificate of Conformity 3.1 material certificate EN 10204
- Rated in Metric Ton(s)



WLL (t)	PL (t)	Dimensions (mm)						Wt./ea. (kg)	Price
		A	B	C	D	E	F		
110	220	560	360	108	76	156	150	76	<b>Pricing on Request</b>

Chain & Chain Accessories

## Tuning Fork - GN®



- Material: High tensile steel
- Finish: Painted
- Design Factor: 4:1
- Temperature Range: -20°C up to +200°C
- Certification: Certificate of Conformity (on request)
- Rated in Metric Ton(s)

Chain (in)	WLL (ton)	Dimensions (mm)							Weight (kg)	Price
		A	B	C	D	E	L	Y		
2 1/2	55	170	75	280	75	60	255	768	100	<b>Pricing on Request</b>
2 3/4	85	210	85	300	85	60	290	863	148	
3	110	240	100	330	98	70	384	927	221	
3 1/4	110	240	100	360	98	70	384	957	237	
3 1/2	120	250	110	390	98	85	391	1047	301	
3 3/4	120	250	110	410	98	85	391	1091	315	
4	150	280	120	440	115	90	421	1262	433	
4 1/4	180	320	130	470	130	95	496	1325	543	
4 1/2	200	330	140	490	130	100	510	1385	629	
4 3/4	225	350	150	520	145	105	540	1447	714	

Tolerance: Forged parts ± 5%, machined parts ± 1 mm



## Chain - Overhead Lifting, Grade 80



- Material: Grade 80, Alloy Steel
- Standard: EN 818-2
- Finish: Black
- Design Factor: 4:1
- Identification: OC8, Batch Code

Trade Size (in)	WLL (lb)	Dimensions (mm)			Weight / 100 ft (lb)	Qty. / Drum (ft)	Full Drum Price / ft	Cut Lengths Price / ft	Part Number
		Dia.	Inside Length	Inside Width					
9/32	3500	7	21	9 – 10.5	70	800	STOCKED	STOCKED	28-7MM80LB
5/16	4500	8	24	10 – 12	92	275	STOCKED	-	6-5/16"G80X275'
5/16	4500	8	24	10 – 12	92	550	STOCKED	STOCKED	28-8MM80LB
3/8	7100	10	30	12.5 – 15	142	400	STOCKED	STOCKED	6-3/8"G80
1/2	12 000	13	39	16.3 – 20	244	200	STOCKED	STOCKED	6-1/2"G80
5/8	18 100	16	48	20 – 24	356	150	STOCKED	STOCKED	6-5/8"G80
3/4	28 300	20	60	25 – 30	562	100	STOCKED	STOCKED	6-3/4"G80
7/8	34 200	22	66	28 – 33	720	164	STOCKED	STOCKED	6-7/8"G80
1	47 700	26	78	35 – 39	990	98	STOCKED	STOCKED	6-1"G80
1-1/4	72 300	32	96	40 – 42	1580	98	STOCKED	STOCKED	6-1-1/4"G80

• 6-5/16"G80X275' sold in full drum only.

## Chain - Overhead Lifting, Grade 100, Ocean Brand®



- Material: Grade 100, Alloy Steel
- Standard: EN 818-2, ASTM A973
- Finish: Blue Powder Coat
- Design Factor: 4:1
- Identification: OC10, Batch Code

Note: Limited Black finish available.

Trade Size (in)	WLL (lb)	Dimensions (mm)			Qty. / Drum (ft)	Weight / 100 ft (lb)	Full Drum Price / ft	Cut Lengths Price / ft	Part Number
		Dia.	Inside Length	Inside Width					
9/32	4300	7.4	22.1	10.4	500	74	STOCKED	STOCKED	44-9/32"G100
5/16	5700	8.4	25.7	12.7	500	104	STOCKED	STOCKED	44-5/16"G100
3/8	8800	10.2	31	14.5	500	148	STOCKED	STOCKED	44-3/8"G100
1/2	15 000	13.2	40.1	19.1	300	250	STOCKED	STOCKED	44-1/2"G100
5/8	22 600	16.3	49	22.1	200	379	STOCKED	STOCKED	44-5/8"G100
3/4	35 300	20.3	61.5	27.7	100	598	STOCKED	STOCKED	44-3/4"G100
7/8	42 700	22.4	68.6	32.5	100	775	STOCKED	STOCKED	44-7/8"G100



### WARNING

To prevent the possibility of serious bodily harm: DO NOT EXCEED the working load limit of chain or components. DO NOT USE FOR OVERHEAD LIFTING OR HOISTING. DO NOT USE if the chain or components are visibly distorted or worn.



### WARNING

NEVER EXCEED PUBLISHED WORKING LOAD LIMIT



- For use in load binding, towing and logging
- In accordance with Department of Transportation regulations
- Standard finish: Zinc electroplate & yellow chromate conv. coating
- Standard material: Heat treated carbon steel
- Identification markings on select links

## Chain - Transport, Grade 70, Ocean Brand®



- Material: Grade 70, Carbon Steel
- Standard: EN 12195-3, ASTM A413
- Finish: Yellow Chromate
- Design Factor: 4:1
- Identification: OC7

Size (in)	WLL (lb)	Dimensions (mm)		Wt. / 100 ft (lb)	Qty. / Drum (ft)	Full Drum	Cut Length	Part Number
		Inside Length	Inside Width			Price / ft	Price / ft	
1/4	3150	31.5	9.7	62	800	STOCKED	STOCKED	73-1/4"G7
5/16	4700	32.8	11.2	101	550	STOCKED	STOCKED	73-5/16"G7
3/8	6600	35.0	14.0	138	400	STOCKED	STOCKED	73-3/8"G7
1/2	11 300	45.5	18.3	235	200	STOCKED	STOCKED	73-1/2"G7

### Compliant with National Safety Code Standard (NSC) 10 Part 1, Division 3, Section 11 (4)

"On and after January 1, 2011 a person shall not use a tie down or a component of a tie down to secure cargo to a vehicle unless it is marked by the manufacturer with respect to its working load limit."

The Tag is for 3/8" grade 70 chain which is now required for all tie down chains to meet the national safety standard.

These chains are made in our shop to your requirements.



## Chain - Alloy Long-Link, Grade 80, Ocean Brand®



- Material: Grade 80, Alloy Steel
- Finish: Painted Yellow
- Design Factor: 4:1

Size (mm)	Break Load (lb)	Dimensions (mm)		Weight / 100 ft (lb)	Qty. / Drum (ft)	Full Drum	Cut Length	Part Number
		Inside Length	Inside Width			Price / ft	Price / ft	
9	22 930	57	16	94	919	STOCKED	STOCKED	44-9MMLLC
11	34 175	66	18	141	656	STOCKED	STOCKED	44-11MMLLC
13	47 620	81	22	181	492	STOCKED	STOCKED	44-13MMLLC
16	72 315	100	26	289	328	STOCKED	STOCKED	44-16MMLLC
28	221 345	150	39	941	164	STOCKED	STOCKED	44-28MMLLC

**WARNING** To prevent the possibility of serious bodily harm: DO NOT EXCEED the working load limit of chain or components. DO NOT USE FOR OVERHEAD LIFTING OR HOISTING. DO NOT USE if the chain or components are visibly distorted or worn.

## Chain - Proof Coil, Grade 30



- Material: Grade 30, Mild Carbon Steel
- Finish: Galvanized, ASTM A413
- Design Factor: 4:1

Trade Size (in)	WLL (lb)	Dimensions (inches)			Weight / 100 ft (lb)	Qty. / Drum (ft)	Full Drum	Cut Length	Part Number
		Dia.	Inside Length	Inside Width			Price / ft	Price / ft	
3/16	800	0.22	0.98	0.30	40	750	STOCKED	STOCKED	6-3/16"30G
1/4	1300	0.28	1.24	0.38	66	800	STOCKED	STOCKED	6-1/4"30G
5/16	2000	0.32	1.29	0.44	86	550	STOCKED	STOCKED	6-5/16"30G
3/8	2400	0.37	1.45	0.63	142	400	STOCKED	STOCKED	6-3/8"30G
1/2	4150	0.51	2.05	0.87	242	200	STOCKED	STOCKED	6-1/2"30G
5/8	6900	0.63	2.20	0.79	357	150	STOCKED	STOCKED	6-5/8"30G
3/4	10 600	0.79	2.76	0.98	560	100	STOCKED	STOCKED	6-3/4"30G
1	13 950	0.98	3.58	1.25	924	50	STOCKED	STOCKED	6-1"30G

## Chain - Proof Coil, Grade 30



- Material: Grade 30, Mild Carbon Steel
- Finish: Self Coloured, ASTM A413
- Design Factor: 4:1

Trade Size (in)	WLL (lb)	Dimensions (inches)			Wt. / 100 ft (lb)	Qty. / Drum (ft)	Full Drum	Cut Length	Part Number
		Dia.	Inside Length	Inside Width			Price / ft	Price / ft	
1/4	1300	0.28	1.24	0.38	66	800	STOCKED	STOCKED	6-1/4"30B
5/16	2000	0.30	1.29	0.44	86	250	STOCKED	-	6-5/16"30BX250
5/16	2000	0.30	1.29	0.44	86	550	STOCKED	STOCKED	6-5/16"30B
3/8	2400	0.39	1.45	0.63	142	400	STOCKED	STOCKED	6-3/8"30B
1/2	4150	0.49	2.05	0.87	242	200	STOCKED	STOCKED	6-1/2"30B
5/8	6900	0.61	2.20	0.79	357	150	STOCKED	STOCKED	6-5/8"30B

• 6-5/16"G80X275' Sold in full drum only

**WARNING** To prevent the possibility of serious bodily harm: DO NOT EXCEED the working load limit of chain or components. DO NOT USE FOR OVERHEAD LIFTING OR HOISTING. DO NOT USE if the chain or components are visibly distorted or worn.

**WARNING**  
NEVER EXCEED PUBLISHED WORKING LOAD LIMIT





## Chain - Self Coloured, High Test, Grade 43



- Material: Grade 43, Carbon Steel
- Finish: Galvanized, ASTM A413
- Design Factor: 4:1

Trade Size (in)	WLL (lb)	Dimensions (inches)			Weight / 100 ft (lb)	Qty. / Drum (ft)	Full Drum	Cut Length	Part Number
		Dia.	I.L.	I.W.			Price / ft	Price / ft	
3/8	5400	0.38	1.36	0.58	132	400	STOCKED	STOCKED	44-3/8"G43
1/2	9200	0.53	1.70	0.75	237	200	STOCKED	STOCKED	44-1/2"G43

## Chain - Mid-Link Fishing, Grade 80



- High Strength alloy steel with grade 80 strengths
- Material: Grade 80, Alloy Steel
- Finish: Self Colour
- Design Factor: 4:1

Size (in)	WLL (lb)	Dimensions (inches)		Wt. / 100 ft (lb)	Qty. / Drum (ft)	Full Drum	Cut Length	Part Number
		Inside Legth	Inside Width			Price / ft	Price / ft	
1/2	11 900	2.05	0.83	230	200	STOCKED	STOCKED	73-1/2"CML
5/8	18 100	2.52	0.94	340	150	STOCKED	STOCKED	73-5/8"CML
3/4	25 500	3.00	1.16	510	100	STOCKED	STOCKED	73-3/4"CML

## Chain - Sweep, Grade 80



- Thru Hardened for Wear Resistance
- Material: Grade 80, Alloy Steel
- Finish: Self Colour
- Design Factor: 4:1

Size (in)	WLL (lb)	Dimenisons (mm)		Wt. / 100 ft (lb)	Qty. / Drum (ft)	Price / ft	Part Number
		Inside Length	Inside Width				
5/8	15 800	49.3	23.6	409	150	STOCKED	73-5/8"SC

## Chain - Long-Link Lashing, Grade 80



- Material: Grade 80
- Finish: Galvanized
- Design Factor: 4:1

Trade Size (in)	Break Load (lb)	Dimensions (mm)			Wt. / 100 ft (lb)	Qty. / Drum (ft)	Price / ft	Part Number
		Dia.	Inside Length	Inside Width				
1/2	40 000	13.5	82	27	222	400	STOCKED	6-13.5MMGLC



### WARNING

To prevent the possibility of serious bodily harm: DO NOT EXCEED the working load limit of chain or components. DO NOT USE FOR OVERHEAD LIFTING OR HOISTING. DO NOT USE if the chain or components are visibly distorted or worn.



### WARNING

NEVER EXCEED PUBLISHED WORKING LOAD LIMIT

### TRYGG Chain

- Nøstet Kjetting is known for its wide variety of short-, mid- and long-link chains of Grade 80 quality. They are used in trawling, deep sea fishing and mooring of aquaculture facilities
- TRYGG short link chain is the heaviest and most flexible chain.
- TRYGG mid link chain, while as strong as a short link chain, is lighter because it has fewer links per meter.
- TRYGG long link chain has substantially reduced weight and easy attachment of various components.
- During production all our chains are continuously controlled at proof load and periodically controlled at breaking load.

#### Chain - Alloy Mid-Link, Grade 80, Trygg®



- Material: Grade 80, Alloy Steel
- Finish: Self Coloured
- Design Factor: 4:1

Size (in)	Break Load (lb)	Dimensions (mm)		Weight / 100 ft (lb)	Qty. / Drum (ft)	Full Drum	Cut Length	Part Number
		Inside Length	Inside Width			Price / ft	Price / ft	
1/2	47 660	50	18	202	492	STOCKED	STOCKED	155-1/2"CML
5/8	72 400	65	29	343	328	STOCKED	STOCKED	155-5/8"CML
3/4	101 850	75	32	477	246	STOCKED	STOCKED	155-3/4"CML
7/8	136 650	88	30	631	164	STOCKED	STOCKED	155-7/8"CML

#### Chain - Alloy Long-Link, Grade 80, Trygg®



- Material: Grade 80, Alloy Steel
- Finish: Painted Yellow
- Design Factor: 4:1

Size (mm)	Break Load (lb)	Dimensions (mm)		Weight / 100 ft (lb)	Qty. / Drum (ft)	Full Drum	Cut Length	Part Number
		Inside Length	Inside Width			Price / ft	Price / ft	
9	22 930	57	16	94	919	STOCKED	STOCKED	155-9MMLLC
11	34 175	66	18	141	656	STOCKED	STOCKED	155-11MMLLC
13	47 620	81	22	181	492	STOCKED	STOCKED	155-13MMLLC
28	221 345	150	39	941	164	STOCKED	STOCKED	155-28MMLLC



### WARNING

To prevent the possibility of serious bodily harm: DO NOT EXCEED the working load limit of chain or components. DO NOT USE FOR OVERHEAD LIFTING OR HOISTING. DO NOT USE if the chain or components are visibly distorted or worn.



### WARNING

NEVER EXCEED PUBLISHED WORKING LOAD LIMIT



**TRYGG CHAIN**



Chain & Chain Accessories

**Chain - Alloy Long-Link, Grade 80, Trygg®**



- Material: Grade 80, Alloy Steel
- Finish: Self Coloured
- Design Factor: 4:1

Size (mm)	Break Load (lb)	Dimensions (mm)		Weight / 100 ft (lb)	Qty. / Drum (ft)	Full Drum	Cut Length	Part Number
		Inside Length	Inside Width			Price / ft	Price / ft	
11	34 170	66	18	141	656	STOCKED	STOCKED	155-11MMLLSCC

**Chain - Alloy Short-Link, Grade 80, Trygg®**



- Material: Grade 80, Alloy Steel
- Finish: Self Coloured
- Design Factor: 4:1

Size (in)	Break Load (lb)	Dimensions (mm)		Weight / 100 ft (lb)	Qty. / Drum (ft)	Full Drum	Cut Length	Part Number
		Inside Length	Inside Width			Price / ft	Price / ft	
5/8	72 315	48	22	382	328	STOCKED	STOCKED	155-16MMSLC

**WARNING**

To prevent the possibility of serious bodily harm: DO NOT EXCEED the working load limit of chain or components. DO NOT USE FOR OVERHEAD LIFTING OR HOISTING. DO NOT USE if the chain or components are visibly distorted or worn.



**WARNING**

NEVER EXCEED PUBLISHED WORKING LOAD LIMIT





## Chain - Stainless, Grade 50



- **Rated for Overhead Lifting**
- Material: Grade 50, 316L Stainless Steel
- Finish: Stainless Steel
- Design Factor: 4:1

Trade Size (in)	WLL (lb)	Dimensions (mm)			Qty. / Drum (ft)	Price / ft	Part Number
		Dia.	Inside Length	Inside Width			
3/16	1308	5.4	24.7	7.6	800	STOCKED	6-3/16G50SS
9/32	2200	7.0	22	10.5	800	STOCKED	6-9/32G50SS
5/16	2700	8	24	10	550	STOCKED	6-5/16G50SS
3/8	4400	10	30	14.5	400	STOCKED	6-3/8G50SS
1/2	7300	13	39	19	200	STOCKED	6-1/2G50SS
5/8	11240	16	46	21	250	STOCKED	6-5/8G50SS

## Chain - Stainless Steel



- **Not Rated for Overhead Lifting**
- Material: 316 Stainless Steel
- Standard: NACM
- Finish: Stainless Steel
- Design Factor: 4:1

Trade Size (in)	WLL (lb)	Dimensions (mm)			Qty. / Drum (ft)	Price / ft	Part Number
		Dia.	Inside Length	Inside Width			
3/8	3500	10	35.3	14.5	400	STOCKED	6-3/8"CSS

## Chain - Tenso



- **For General Light Duty applications**
- **NOT for Overhead lifting or Critical Applications**
- Standard: NACM
- Finish: Zinc/Galvanized

WLL (lb)	Size	Dimensions (mm)		Links / foot	Weight / 100 ft (lb)	Qty. / Reel (ft)	Price / Reel	Part Number
		Dia.	Inside Length					
90	3	2	27.7	11	5.75	200	STOCKED	6-30MM#3TC



### WARNING

To prevent the possibility of serious bodily harm: DO NOT EXCEED the working load limit of chain or components. DO NOT USE FOR OVERHEAD LIFTING OR HOISTING. DO NOT USE if the chain or components are visibly distorted or worn.



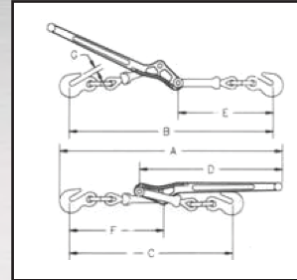
### WARNING

NEVER EXCEED PUBLISHED WORKING LOAD LIMIT



## Loadbinder - Lever

- Ball & Socket swivel joint at hook assembly permits a straight line pull
- Before use, oil ball & socket for longer life
- Material: Forged Steel, Quenched & Tempered
- Standard: EN 12195-3
- Finish: Painted Yellow
- Design Factor: 3.5:1
- Identification: Trademark, Size/WLL, Batch Code



Chain Size (in)	WLL (lb)	Ult. Tension (lb)	Weight (lb)	Inside Measures (in)							Qty./ Box	Price / ea.	Part Number
				A	B	C	D	E	F	G			
1/4 - 5/16	2600	9100	3.3	18.50	17.18	14.43	11.50	8.25	8.12	0.37	10	STOCKED	6-1/4-5/16LB
5/16 - 3/8	5400	19 250	7.02	24.13	22.13	17.88	16.00	10.38	10.38	0.50	5	STOCKED	6-5/16-3/8LB
3/8 - 1/2	9200	33 000	12.47	28.75	25.75	21.25	18.69	12.31	12.38	0.63	5	STOCKED	6-3/8-1/2LB

## Loadbinder - Lever, BX

- BX-600 / BX-800
- Load Binder Lever with Kickback Resistance
- Ball & Socket swivel jointing at hook assembly permits a straight line pull.
- Before use, oil ball & socket for longer life.



- Material: Forged Steel, Quenched & Tempered
- Standard: EN 12195-3
- Finish: Painted Yellow
- Design Factor: 3.5:1
- Identification: Trademark, Size/WLL, Batch Code

Binder Number	Chain Size (in)	WLL (lb)	Lever Length (in)	Take up (in)	Weight (lb)	Qty./ Box	Price / ea.	Part Number
BX-600	5/16	4700	12-1/2	4-1/2	8.6	5	STOCKED	6-BX600
BX-600	3/8	5400						
BX-800	3/8	6600	16	4-1/2	13.4	4	STOCKED	6-BX800
BX-800	1/2	9200						



### WARNING

Failure to use binders properly may result in serious injury or death. DO NOT operate load binder while standing on the load. Keep yourself out of the path of the moving handle and loose chain lying on the handle. You must be familiar with regulations regarding size and number of chain systems required for securing loads. Always consider the safety of nearby workers as well as yourself when using load binder. While under tension, load binder must not bear against an object, as this will cause side load. Do not use handle extender. Do not attempt to open or close the binder with more than one person.

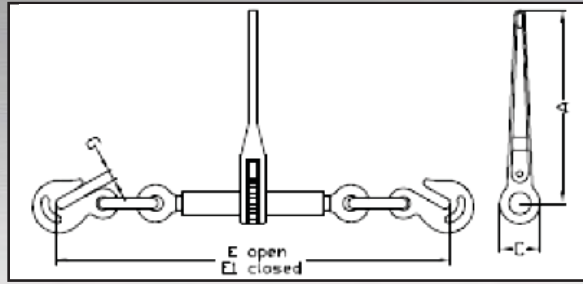


### WARNING

NEVER EXCEED PUBLISHED WORKING LOAD LIMIT

## Loadbinder - Ratchet, HS

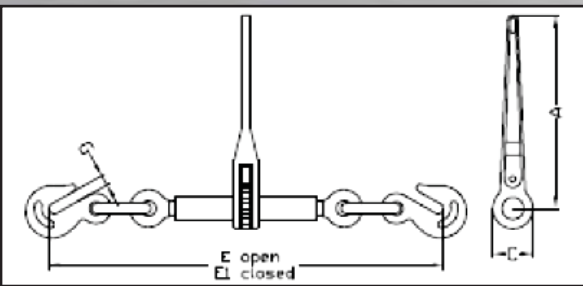
• Meets or exceeds DOT and CVSA Cargo Securement Tie-Down Guideline



- Matches the Working Load Limit of Grade 100 Chain for both sizes
- Material: Forged Steel, Quenched & Tempered
- Standard: EN 12195-3, WSTDA-T-6
- Finish: Powder Coated Yellow & Blue
- Design Factor: 3:1
- Identification: Trademark, Size/WLL, Batch Code

Chain Size (in)	WLL (lb)	Proof Load (lb)	Weight (lb)	Dimensions (in)					Qty. / box	Price / ea.	Part Number
				A	C	E1	E	G			
5/16 - 3/8	8800	17 600	10.95	13.98	2.56	23.54	29.88	0.50	4	STOCKED	6-5/16-3/8RBHS
3/8 - 1/2	15 000	30 000	11.69	13.98	2.56	24.75	30.95	0.65	5	STOCKED	6-3/8-1/2RBHS

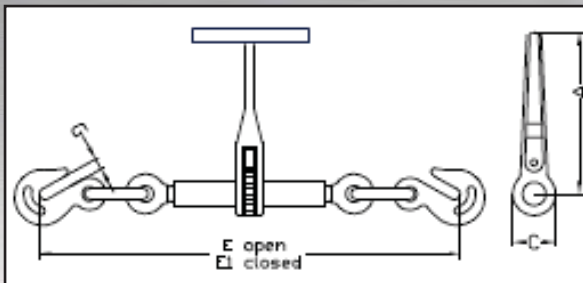
## Loadbinder - Ratchet



- Material: Forged Alloy Steel, Quenched & Tempered, Gr 100
- Standard: EN 12195-3, WSTDA-T-6
- Finish: Painted Yellow
- Design Factor: 3.5:1
- Identification: Trademark, Size/WLL, Batch Code

Chain Size (in)	WLL (lb)	Proof Load (lb)	Weight each (lb)	Dimensions (in)					Pcs / box	Price / ea.	Part Number
				A	C	E1	E	G			
5/16 - 3/8	6600	13 200	10.56	13.98	2.56	23.54	29.88	0.50	5	STOCKED	6-5/16-3/8RB
3/8 - 1/2	9200	18 400	11.24	13.98	2.56	23.74	30.24	0.65	5	STOCKED	6-3/8-1/2RB
1/2 - 5/8	13 000	26 000	15.83	13.98	2.56	27.17	33.86	0.73	4	STOCKED	6-1/2-5/8RB
5/8 - 3/4	20 000	40 000	28.60	13.98	2.56	29.29	31.61	0.93	2	STOCKED	6-5/8-3/4RB

## Loadbinder - Ratchet, T-Handle



- Material: Forged Steel, Quenched & Tempered
- Standard: EN 12195-3, WSTDA-T-6
- Finish: Painted Yellow & Blue
- Design Factor: 3:1
- Identification: Trademark, Size/WLL

Chain Size (in)	WLL (lb)	Proof Load (lb)	Weight each (lb)	Dimensions (in)					Pcs / box	Price / ea.	Part Number
				A	C	E1	E	G			
5/16 - 3/8	8800	17 600	12.30	8.86	2.56	22.64	28.94	0.50	4	STOCKED	6-5/16-3/8RBHST

**WARNING** Failure to use binders properly may result in serious injury or death. DO NOT operate load binder while standing on the load. Keep yourself out of the path of the moving handle and loose chain lying on the handle. You must be familiar with regulations regarding size and number of chain systems required for securing loads. Always consider the safety of nearby workers as well as yourself when using load binder. While under tension, load binder must not bear against an object, as this will cause side load. Do not use handle extender. Do not attempt to open or close the binder with more than one person.

**WARNING**  
NEVER EXCEED PUBLISHED WORKING LOAD LIMIT





## Tie Down Cargo Strap - Chain Assembly

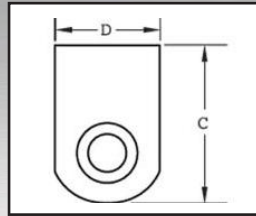
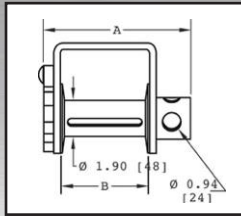


- Material: Grade 70, Carbon Steel, Polyester
- Standard: EN 12195-2,3,WST-DA-T-1
- Finish: UV Protection, Yellow Chromate
- Design Factor: 3:1
- Identification: Trademark, Size/WLL

Size		WLL (lb)	Price / ea.	Part Number
Width (in)	Length (ft)			
3	30	5400	<b>STOCKED</b>	<b>126-3"X30'WC</b>

Compliant with National Safety Code Standard (NSC) 10 Part 1. Division 3, Section 11 (4)  
 "On and after January 1, 2011 a person shall not use a tie down or a component of a tie down to secure cargo to a vehicle unless it is marked by the manufacturer with respect to its working load limit."

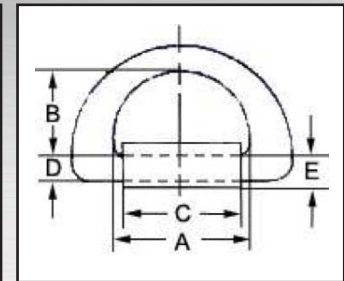
## Winch - Truck, #5820



- Designed for use with 3" strapping
- Material: Steel Plate
- Finish: Black Painted
- Design Factor: 3:1

Type	Dimensions (in)				Weight (lb)	Price / ea.	Part Number
	A	B	C	D			
#5820	7.75	4.88	7.58	4.00	10.7	<b>STOCKED</b>	<b>6-#5820TW</b>

## Ring - Weld-on D-Ring Tie Down



Size (mm)	MBS (t)	Dimensions (mm)					Weight (kg)	Price / ea.	Part Number
		A	B	C	D	E			
27	50	155	90	130	27	32	4.41	<b>STOCKED</b>	<b>6-DRING</b>

• Rated in Metric Ton(s)



## Tie Down Cargo Strap - Ratchet



- WLL marked along entire length of webbing.
- Material: Grade 70, Carbon Steel, Polyester
- Standard: EN 12195-2,3, WSTDA-T-1
- Finish: UV Protection, Yellow Chromate
- Design Factor: 3:1
- Identification: Trademark, Size/WLL

Size		MBS (lb)	WLL (lb)	Price / ea.	Part Number
Width (in)	Length (ft)				
2	10	10 000	3335	STOCKED	126-2"X10'RWH
2	15	10 000	3335	STOCKED	126-2"X15'RWH
2	20	10 000	3335	STOCKED	126-2"X20'RWH
2	25	10 000	3335	STOCKED	126-2"X25'RWH
2	30	10 000	3335	STOCKED	126-2"X30'RWH

## Tie Down Cargo Strap - Ratchet



- WLL marked along entire length of webbing.
- Material: Grade 70, Carbon Steel, Polyester
- Standard: EN 12195-2,3, WSTDA-T-1
- Finish: UV Protection, Yellow Chromate
- Design Factor: 3:1
- Identification: Trademark, Size/WLL

Size		MBS (lb)	WLL (lb)	Price / ea.	Part Number
Width (in)	Length (ft)				
3	20	16 200	5400	STOCKED	126-3"X20' RWH
3	30	16 200	5400	STOCKED	126-3"X30'RWH

## Buckle - Ratchet



- Material: 304 Stainless Steel
- Finish: Stainless Steel

For Webbing (in)	MBS (lb)	Price / ea.	Part Number
1	3300	STOCKED	6-1"SSRB
2	6600	STOCKED	6-2"SSRB

**WARNING** Failure to use binders properly may result in serious injury or death. DO NOT operate load binder while standing on the load. Keep yourself out of the path of the moving handle and loose chain lying on the handle. You must be familiar with regulations regarding size and number of chain systems required for securing loads. Always consider the safety of nearby workers as well as yourself when using load binder. While under tension, load binder must not bear against an object, as this will cause side load. Do not use handle extender. Do not attempt to open or close the binder with more than one person.



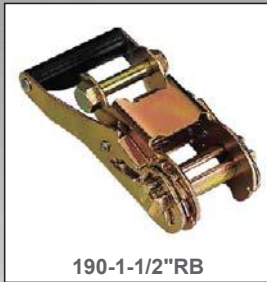


## Buckle - Ratchet

• Finish: Zinc plated



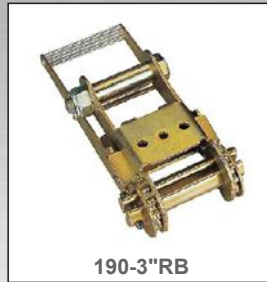
190-1-1/16"RB



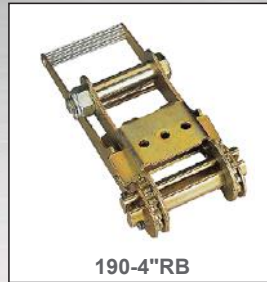
190-1-1/2"RB



190-2"RB

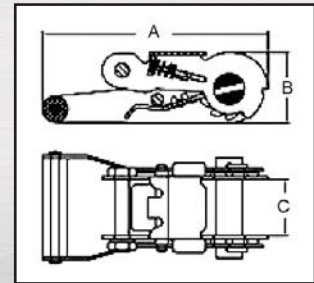


190-3"RB



190-4"RB

For Webbing (in)	MBS (lb)	Dimensions (mm)			Price / ea.	Part Number
		A	B	C		
1	3300	130	42	36	STOCKED	190-1-1/16"RB
1	6600	155	49	40	STOCKED	190-1-1/2"RB
2	12 000	230	57	52	STOCKED	190-2"RB
3	22 000	320	80	78	STOCKED	190-3"RB
4	22 000	320	80	102	STOCKED	190-4"RB



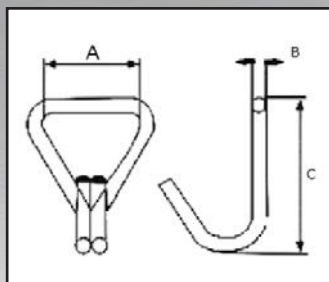
• Pictures are for illustration only, actual product may differ.

## Webbing - Tie Down Material, Polyester



Size (in)	MBS (lb)	Carton Packaging	Price / Reel	Part Number
		Qty (ft)		
1	3300	328.08	STOCKED	190-1"TDW6600
1	6600	328.08	STOCKED	190-1"TDW3300
2	12 000	328.08	STOCKED	190-2"TDW12000
3	18 000	328.08	STOCKED	190-3"TDW18000
4	24 000	328.08	STOCKED	190-4"TDW24000

## Hook - Wire, Double J



Size (in)	MBS (lb)	Dimensions (mm)			Price / ea.	Part Number
		A	B	C		
1 1/16	3300	27	7	56	STOCKED	190-1-1/16"WH
1 1/2	6600	36	9.3	60	STOCKED	190-1-1/2"WH
2	12 000	52	11.4	86	STOCKED	190-2"WH
3	22 000	76	16	130	STOCKED	190-3"WH
4	22 000	102	16	130	STOCKED	190-4"WH



## Drum Lifter

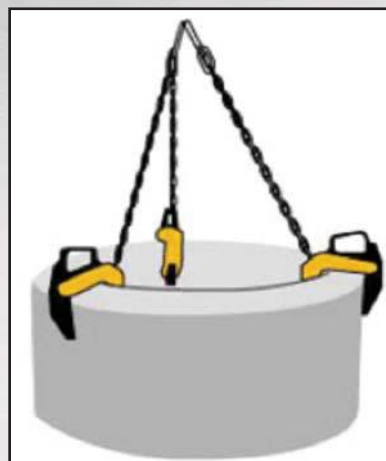
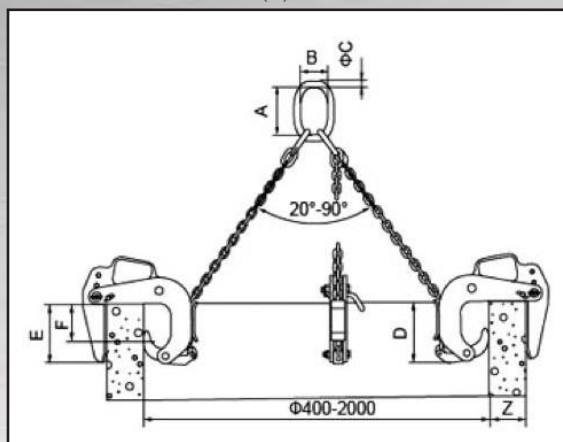


- For use on metal drums
- Rated in Metric Ton(s)

Capacity (t)	Chain size (mm)	Length of lift chain (mm)	Net Weight (kg)	Price / ea.	Part Number
1	6 x 18	500	3.6	STOCKED	6-DRUMLIFT

## Concrete Pipe Lifting Clamp - Assembly

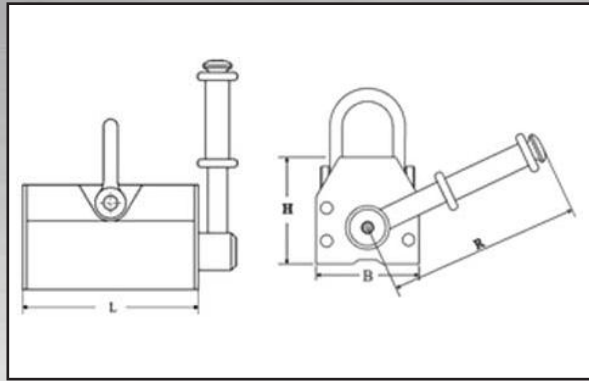
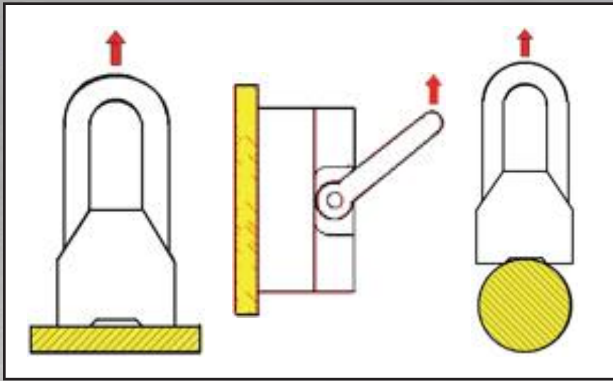
- Concrete Pipe Lifting Clamp - LTC Series
- LTC Clamp for concrete pipe sections. These clamps are designed to lift concrete pipe sections in a vertical position. They are supplied as a complete 3 leg chain arrangement.
- Three legged lifting system for safe non-marring transport of concrete pipes to a diameter of 2000 mm and loading of up to 3t.
- Attachment and removal of the clamps can be done easily due to handles that have been incorporated into the clamp.
- Batch tested at 4 to 1 against breakage.
- Made for Heavy duty use, but light weight in design.
- For concrete pipes lifting application standard according to DIN 4034
- Rated in Metric Ton(s)



WLL (t)	Jaw (mm)	Mouth Depth E (mm)	Lift Line F (mm)	Weight (kg)	A (mm)	B (mm)	C (mm)	D (mm)	Price / ea.	Part Number
1.5	40-120	165	100	34	135	75	18	180	STOCKED	6-LTC1.5/120
3	50-180	245	175	78	180	100	26	310	STOCKED	6-LTC3.0/180



## Permanent Magnet Lifter



- Standard: EN 13155
- Finish: Painted Yellow, Zinc
- Identification: Trademar, WLL, Serial No.
- Certification: Load Test

Horizontal Load Capacity (kg)	Horizontal [Max.] Break-away Force (kg)	Round Bar or Vertical Capacity (kg)	Dimensions (mm)					Wt. (kg)	Spare Handle Only		Magnet Lifter	
			L	B	H	R	Price / ea.		Part Number	Price / ea.	Part Number	
100	350	30	92	66	70	145	3	STOCKED	6-PML-01RH	STOCKED	6-PML-100	
300	1050	100	165	88	96	176	10	STOCKED	6-PML-03RH	STOCKED	6-PML-300	
600	2100	200	236	118	120	219	23	STOCKED	6-PML-06 RH	STOCKED	6-PML-600	
1000	3500	300	264	172	168	285	54	STOCKED	6-PML-10RH	STOCKED	6-PML-1000	
2000	7000	600	378	223	216	462	130	STOCKED	6-PML-20RH	STOCKED	6-PML-2000	

- Do not use this lifting device above the working load limit for the application, this information is attached to each magnet.
- Operating temperature maximum 80°C.
- Other sizes available on request.

**SEE WARNING AND APPLICATION INFORMATION - NEXT PAGE**



## PERMANENT MAGNET LIFTER - WARNINGS AND APPLICATION INSTRUCTIONS



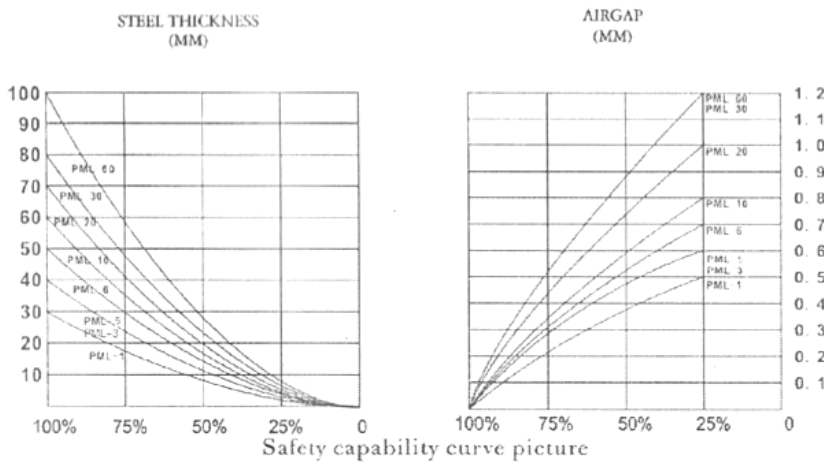
Prior to operation, clear away rust and any debris from the components surface. The centerline of lifter must overlap with centerline of component then place the magnetic lifting hoist on the face of component, turn the handle from "OFF" to "ON" and confirm unit is holding. Make sure the security key on the handle is automatically locked, and then start to hoist for trial lift.

**Air Gap** – These lifting magnets create high magnetic forces which permit the magnet to clamp materials through the air gap but these air gaps do however decrease the magnetic performance due to the fact that they provide a barrier between the contact surfaces. Air gaps can happen in a variety of ways, such as dust, paint, and mill scale. Inadequately machined surfaces will also make up an air gap. The lifting magnet will need to be down rated in capacity according to the adhesive force / air gap as shown in the diagram below.

**Material Thickness** – When lifting magnets are used to lift materials which are thinner than the recommended minimum thickness, the clamping force of the magnet will be considerably lower. See below diagram for detailed information.

Full lifting capacity is only achieved when the lifting magnet has complete contact with the item being lifted. Performance will be affected if the surface of the materials to be lifted contains holes or is uneven. A trial lift must be carried out in these situations to establish correct lifting prior to transporting the load. Some materials will have differing abilities to carry magnetism. Apart from mild steel, a reduction factor needs to be applied so that the clamping force can be effectively calculated.

Model	Flat Material			Round Material			Tear off Force (kg)
	Maximum Capacity SWL	Min. Thickness	Max. Length of Material	Maximum Capacity SWL	Diameter	Max. Length of Material	
	(kg)	(mm)	(mm)	(kg)	(mm)	(mm)	
PML-100	100	30	2000	30	200-300	2 000	350
PML-300	300	40	2500	100	200-300	2 500	1050
PML-600	600	50	3000	200	200-400	3 000	2100
PML-1000	1000	60	3500	300	200-400	3 500	3500
PML-2000	2000	70	3500	600	200-400	3 500	7000



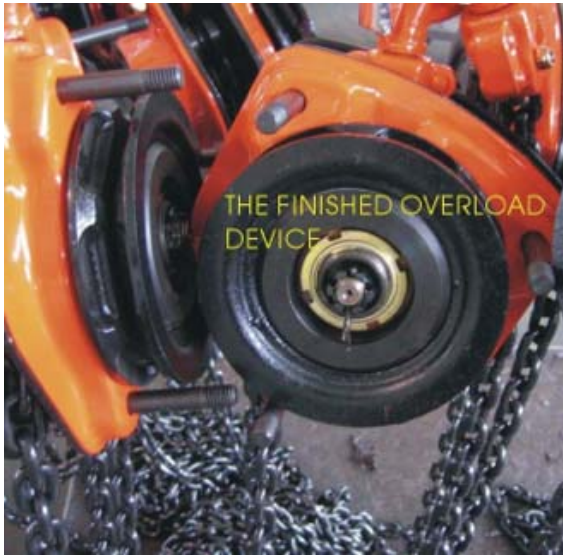
Reduction of capacity for material type	% of capacity
Temperature < 80°C	100%
Humidity < 80%	100%
Low Carbon Steel	100%
St 52	95%
Alloy Steel	80%
High Carbon Steel	70%
Cast Iron	45%
Nickel	45%
Austenitic Stainless Steel	0%
Brass	0%
Aluminium	0%

**\*\*\* Read and understand Operating Instructions (supplied with every unit) before using this product\*\*\***





## Principle of Overload Protection

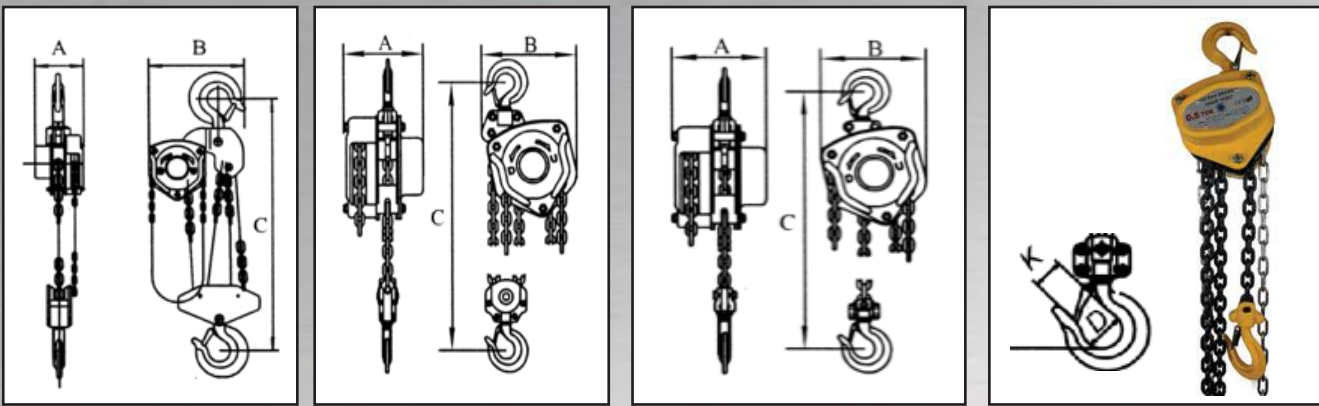


The principle of overload protection brake engagement is the same on both lever pullers and chain blocks. The unit has an adjustable friction disk when engaged

produces a friction force between the disk and the hand wheel or lever. This is adjusted at the factory. Each unit is tested twice. The first is a normal proof load test, and the second load is used to set the friction disk brake engagement. For example on a 1.5 ton lever block, the block is pulled to 1.5 times the WLL, 1.5 ton x 1.5 = 2.25 ton as a normal proof load test. The block is then taken to 1.3 times the WLL to set the friction brake. 1.5 ton x 1.3 = 1.95 ton. If the unit is taken above this load the friction disk will engage and the unit will not lift. Proof loading for this block would be 1.25 x 1.5 ton = 1.875 ton

- Standard lift from stock 3 & 6 meter - "custom chain length available on request"
- Standard: EN 13157, ASME B30.16
- Finish: Painted Yellow.
- Identification: Trademark, Size/WLL, Date, Serial No. • Rated in Metric Ton(s)

### Block - Chain Hoist, 619, Ocean Brand®



WLL (t)		0.5	1	1.5	2	3	5	10	20
Part Number		6-0.5TCB3	6-1TCB3	6-1.5TCB3	6-2TCB3	6-3TCB3	6-5TCB3	6-10TCB3	N/A
Price 3 m (10 ft) of Lift	ea.	STOCKED	STOCKED	STOCKED	STOCKED	STOCKED	STOCKED	STOCKED	-
Part Number		6-0.5TCB6	6-1TCB6	6-1.5TCB6	6-2TCB6	6-3TCB6	6-5TCB6	6-10TCB6	6-20TCB6
Price 6 m (20 ft) of Lift	ea.	STOCKED	STOCKED	STOCKED	STOCKED	STOCKED	STOCKED	STOCKED	STOCKED
Number of falls		1	1	1	1	2	2	4	8
Dimensions (mm)	A	131	140	161	161	161	186	207	209
	B	127	158	174	187	199	253	398	625
	C	270	317	399	414	465	636	798	890
	D	35	35.5	45	42.5	50	64	85	110
	K	30	28	36	33.5	40	50	64	81
Net Weight / 3 m of lift	kg	10	12	19	20	27	45.5	83	173
Running test load	Kn	7.5	15	22.5	30	45	75	150	235.2
Effort to lift rated load	N	231	309	320	360	340	414	414	435X2
Load chain diameter	mm	6	6	8	8	8	10	10	10
Chain weight kg/m	kg	1.7	1.7	2.3	2.3	3.7	5.6	9.7	19.4



**WARNING**

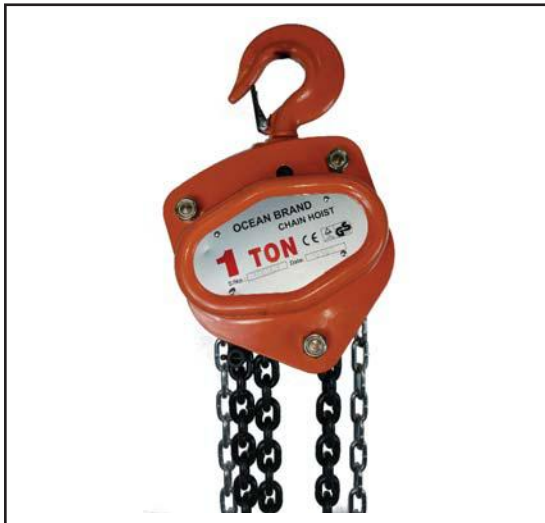
WARNING - READ AND UNDERSTAND ALL WARNINGS, MAINTENANCE, AND OPERATION INSTRUCTIONS (SUPPLIED WITH EVERY UNIT)



**WARNING**

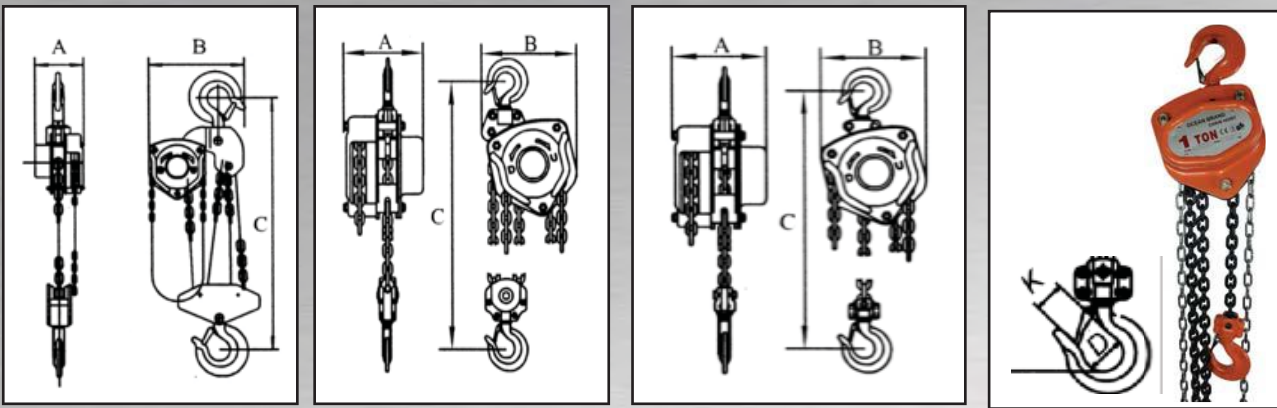
NEVER EXCEED PUBLISHED WORKING LOAD LIMIT

## Non-overload Protection



- Marking: Rated load, Direction of motion, Name of Manufacturer, Manufacturer's model or serial number. Product safety/warning information.
- Standard lift from stock 6 meter - "custom chain length available on request"
- Standard: EN 13157, ASME B30.16
- Finish: Painted Orange
- Identification: Trademark, Size/WLL, Date, Serial No.
- Rated in Metric Ton(s)

## Block - Chain Hoist, 619, Ocean Brand® (NOP)



WLL (t)		1	1.5	2	3
Part Number		6-1TCB6-NOP	6-1.5TCB6-NOP	6-2TCB6-NOP	6-3TCB6-NOP
Price 6 m (20 ft) of Lift	ea.	STOCKED	STOCKED	STOCKED	STOCKED
Number of falls		1	1	1	2
Dimensions (mm)	A	140	161	161	161
	B	158	174	187	199
	C	317	399	414	465
	D	35.5	45	42.5	50
	K	28	36	33.5	40
Net Weight / 6 m of lift	kg	17	26	27	41
Running test load	Kn	15	22.5	30	45
Effort to lift rated load	N	309	320	360	340
Load chain diameter	mm	6	8	8	8
Chain weight kg/m	kg	1.7	2.3	2.3	4.6



### WARNING

WARNING - READ AND UNDERSTAND ALL WARNINGS, MAINTENANCE, AND OPERATION INSTRUCTIONS (SUPPLIED WITH EVERY UNIT)



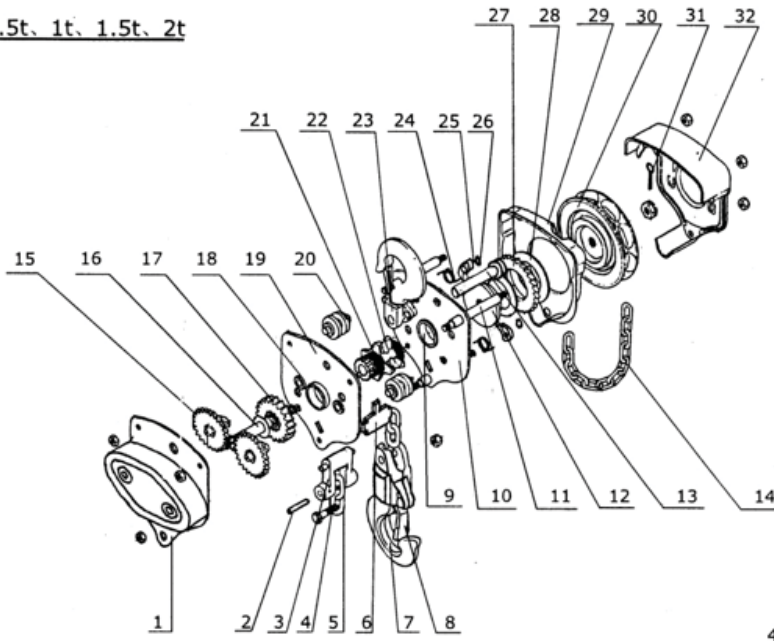
### WARNING

NEVER EXCEED PUBLISHED WORKING LOAD LIMIT



## CHAIN HOIST PARTS BREAKDOWN

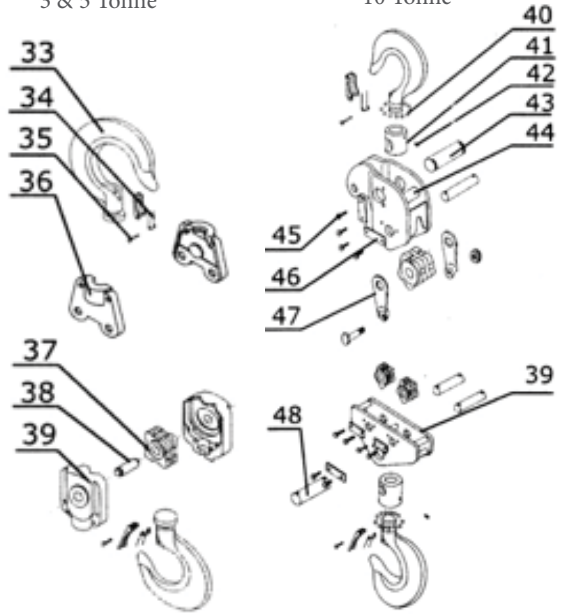
0.5t, 1t, 1.5t, 2t



Hook Assembly # 7 & # 23 parts

3 & 5 Tonne

10 Tonne



Top and Bottom hook assembly sold as complete kit only

#	Description	#	Description	#	Description	#	Description
1	Bent plate	13	Hook pin	25	Pawl	37	Move wheel
2	End anchor pin	14	Hand chain	26	Spring ring	38	Move wheel pin
3	End anchor	15	Disk gear	27	Ratchet disk	39	Bottom hook frame
4	Chain pin	16	Driving shaft	28	Friction plate	40	Row
5	Load chain (sold/ft)	17	Splined gear	29	Brake cover	41	Hook frame bar
6	Stripper	18	Steel bushing	30	Hand wheel	42	Lock screw
7	Bottom hook as.	19	Right side plate	31	Cotter pin	43	Top hook pin
8	Safe clip	20	Guide roller	32	Hand wheel cover	44	Bunton
9	Bearing race	21	Roller	33	Hook	45	Screw
10	Left side plate	22	Load sheave	34	Spring	46	Stripper
11	Stay	23	Top hook assembly	35	Rivet	47	Sling plate
12	Brake seat	24	Double spring	36	Top hook frame	48	Bottom hook pin

### Available Spare Parts for Chain Hoist Block 619

#	Description	1/2 t	1 t	1-1/2 t	2 t	3 t	5 t	10 t
2	End anchor pin	STOCKED 6-0.5TCBEAP	STOCKED 6-1TCBEAP	STOCKED 6-1.5TCBEAP	STOCKED 6-2TCBEAP	STOCKED 6-3TCBEAP	STOCKED 6-5TCBEAP	STOCKED 6-5TCBEAP
4	Chain pin	STOCKED 6-0.5TCBCP	STOCKED 6-1TCBCP	STOCKED 6-1.5TCBCP	STOCKED 6-2TCBCP	STOCKED 6-3TCBCP	STOCKED 6-5TCBCP	STOCKED 6-5TCBCP
5	Load chain (\$/ft)	STOCKED 6-0.5-1TCBCH		STOCKED 6-1.5-3TCBCH	STOCKED 6-5-10TCBCH			
7	Bottom hook as.	STOCKED 6-0.5TCBBHA	STOCKED 6-1TCBBHA	STOCKED 6-1.5TCBBHA	STOCKED 6-2TCBBHA	STOCKED 6-3TCBBHA	STOCKED 6-5TCBBHA	STOCKED 6-10TCBBHA
8	Safe clip	STOCKED 6-0.5TCBSC	STOCKED 6-1TCBSC	STOCKED 6-1.5TCBSC	STOCKED 6-2TCBSC	STOCKED 6-3TCBSC	STOCKED 6-5TCBSC	STOCKED 6-10TCBSC
13	Hook pin	STOCKED 6-0.5TCBHP	STOCKED 6-1TCBHP	STOCKED 6-1.5TCBHP	STOCKED 6-2TCBHP	STOCKED 6-3TCBHP	STOCKED 6-5TCBHP	STOCKED 6-5TCBHP
14	Hand chain	STOCKED 6-HAND CHAIN						
22	Load sheave	STOCKED 6-0.5&1TLS		STOCKED 6-1.5&2TLS	STOCKED 6-3&5TLS			
23	Top hook assem.	STOCKED 6-0.5TCBTHA	STOCKED 6-1TCBTHA	STOCKED 6-1.5TCBTHA	STOCKED 6-2TCBTHA	STOCKED 6-3TCBTHA	STOCKED 6-5TCBTHA	STOCKED 6-10TCBTHA
24	Double spring	STOCKED 6-0.5TCBDS	STOCKED 6-1TCBDS	STOCKED 6-1.5TCBDS	STOCKED 6-2TCBDS	STOCKED 6-3TCBDS	STOCKED 6-5TCBDS	STOCKED 6-5TCBDS
25	Pawl	STOCKED 6-0.5TCBP	STOCKED 6-1TCBP	STOCKED 6-1.5TCBP	STOCKED 6-2TCBP	STOCKED 6-3TCBP	STOCKED 6-5TCBP	STOCKED 6-5TCBP
26	Spring ring	STOCKED 6-0.5TCBSR	STOCKED 6-1TCBSR	STOCKED 6-1.5TCBSR	STOCKED 6-2TCBSR	STOCKED 6-3TCBSR	STOCKED 6-5TCBSR	STOCKED 6-5TCBSR
28	Friction plate	STOCKED 6-0.5TCBFP	STOCKED 6-1TCBFP	STOCKED 6-1.5TCBFP	STOCKED 6-2TCBFP	STOCKED 6-3TCBFP	STOCKED 6-5TCBFP	STOCKED 6-5TCBFP
31	Cotter pin	STOCKED 6-0.5TCBCP31	STOCKED 6-1TCBCP31	STOCKED 6-1.5TCBCP31	STOCKED 6-2TCBCP31	STOCKED 6-3TCBCP31	STOCKED 6-5TCBCP31	STOCKED 6-5TCBCP31

• Rated in Metric Ton(s)

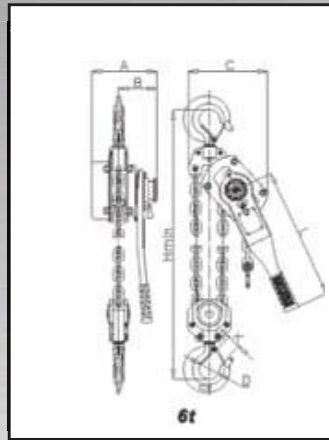
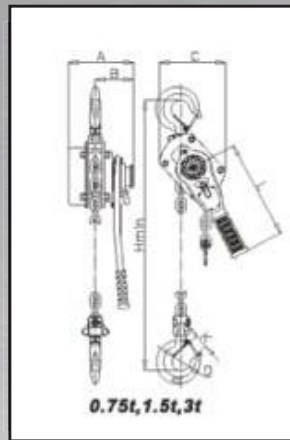




**The Subsea Lever Hoist is our premium line hoist with the following advantages:**

- The driving shaft is fixed by a simple support structure.
- The gear transmission is more stable and effective.
- The hand wheel is cast steel with higher strength and reliable operation.
- No preload required.
- The surface treatment of change over gear, brake seat, brake steel bushing and fused brake disc are Dacromet (better corrosion resistance)
- Fused brake disc is a whole part and includes friction disk and ratchet.
- This provides exceptional performance and long life.
- The performance of our maintenance free bearing is close to rolling bearing with better corrosion resistance.
- The hooks are alloy steel and passed heat treatment and includes cast safety latch.
- Compact and higher strength lever is suited for narrow space operation. The material of handle and sleeve is special elastomer, higher strength and higher temperature resistance.
- Grade 80 load chain is accorded with EN818-7 standard and comes with Dacromet finish.
- Brake seat and driving shaft are connected by involute splines, brake effect is higher and the parts are easily disassembled.

**Lever Hoist - Puller, 816, Ocean Brand®, Subsea**



- **Patented**
- Standard: EN 13157, ASME B30.21
- Finish: Painted Orange
- Identification: Trademark, Size/WLL, Date, Serial No.
- Rated in Metric Ton(s)

WLL (t)		1.5	3	6
Part Number		<b>6-1.5TSSLP</b>	<b>6-3TSSLP</b>	<b>6-6TSSLP</b>
Price	ea.	<b>STOCKED</b>	<b>STOCKED</b>	<b>STOCKED</b>
Standard lift	m	3	3	3
Strands of load chain		1	1	2
Dimensions (mm)	A	182	207.5	208
	B	109	122	122
	C	157	210	253
	D	45	55	68
	H min	380	490	580
	L	270	430	430
	K	29	39	43
Net Weight / 3 m of lift	kg	10.8	23.3	35.6
Running test load	kN	18.4	36.8	73.5
Force to lift rated load	N	295	304	314
Load chain diameter	mm	8	10	10
Chain weight kg/m	kg/m	1.4	2.2	4.3

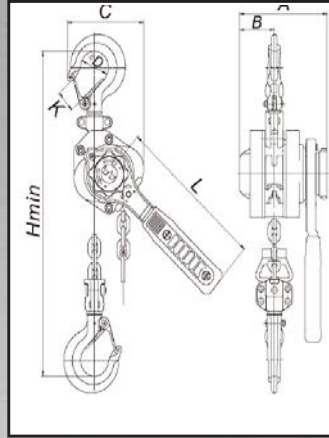


## Light Weight Aluminum

The Light Weight Aluminum Lever Hoist is one of our premium line hoist with the following advantages:

- Aluminum Material, Light weight. Load chain sprocket made of heat treated alloy steel with precision machining. Chain guides provide smooth chain operation. Rubber grips used to prevent hand sliding during operation. Double regulating wheel structure and double pawl guarantee safe and reliable brake operation. Suitable for high altitude and small space operation. The existing brake separation technology can be quickly adjusted to a suitable working position. The hooks are alloy steel, heat treated and includes cast safety latch. Grade 80 load chain is accorded with EN818-7 standard. No overload protection

### Lever Hoist - Puller, HSH-AL, Ocean Brand®, Light Weight Aluminum



- Patented
- Standard: EN 13157, ASME B30.21
- Finish: Aluminum
- Identification: Trademark, Size/ WLL, Date, Serial No.
- Rated in Metric Ton(s)

Lifting Accessories

WLL (t)		0.25	0.5	0.75	1.5
Part Number		6-0.25TLPAL	6-0.5TLPAL	6-0.75TLPAL	6-1.5TLPAL
Price	ea.	STOCKED	STOCKED	STOCKED	STOCKED
Standard lift	m	1	1	1.5	1.5
Strands of load chain		1	1	1	1
Dimensions (mm)	A	94.5	100	126	142
	B	35	39	50	63.5
	C	84	99	110	133
	D	34	34	40	45
	H min	230	265	315	340
	L	163	163	208	238
	K	24	24	26	31
Net Weight per standard lift	kg	1.9	2.7	4.8	7
Running test load	kN	3.1	6.1	9.2	18.4
Force to lift rated load	N (kg)	206 (21)	255 (26)	303 (31)	362 (37)
Load chain diameter	mm	4	5	5.6	7.1
Chain weight kg/m	kg/m	0.36	0.55	0.68	1.2
Load Chain Part Number.		6-4X12LCH	6-5X15LCH	6-5.6X15.6LCH	6-7.1X19.9LCH
Price	ft.	STOCKED	STOCKED	STOCKED	STOCKED
Top Hook Assembly Part Number		6-0.25TTHA	6-0.5TTHA	6-0.75TTHA	6-1.5TTHA
Price	ea.	STOCKED	STOCKED	STOCKED	STOCKED
Bottom Hook Assembly Part Number		6-0.25TBHA	6-0.5TBHA	6-0.75TBHA	6-1.5TBHA
Price	ea.	STOCKED	STOCKED	STOCKED	STOCKED
Latch Kits Part Number		6-0.25TLK	6-0.5TLK	6-0.75TLK	6-1.5TLK
Price	ea.	STOCKED	STOCKED	STOCKED	STOCKED
Friction Disk Part Number		6-0.25TFDAL	6-0.5TFDAL	6-0.75TFDAL	6-1.5TFDAL
Price	ea.	STOCKED	STOCKED	STOCKED	STOCKED



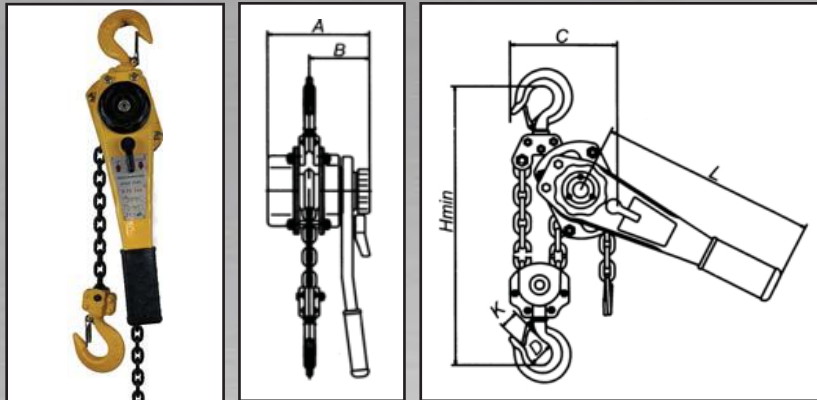
## Principle of Overload Protection



The principle of overload protection brake engagement is the same on both lever pullers and chain blocks. The unit has an adjustable friction disk when engaged produces a friction force between the disk and the hand wheel or lever. This is adjusted at the factory. Each unit is tested twice. The first is a normal proof load test, and the second load is used to set the friction disk brake engagement. For example on a 1.5 ton lever block, the block is pulled to 1.5 times the WLL,  $1.5 \text{ ton} \times 1.5 = 2.25 \text{ ton}$  as a normal proof load test. The block is then taken to 1.3 times the WLL to set the friction brake.  $1.5 \text{ ton} \times 1.3 = 1.95 \text{ ton}$ . If the unit is taken above this load the friction disk will engage and the unit will not lift. Proof loading for this block would be  $1.25 \times 1.5 \text{ ton} = 1.875 \text{ ton}$ .

- Standard lift from stock - 1.5 & 3 meter - "custom chain length available on request"

## Lever Hoist - Puller, 622, Ocean Brand®



- Patented
- Standard: EN 13157, ASME B30.21
- Finish: Painted Yellow
- Identification: Trademark, Size/WLL, Date, Serial No.
- Rated in Metric Ton(s)

WLL (t)		0.75	1.5	3	6	9
Part Number		6-0.75TLP	6-1.5TLP	6-3TLP	6-6TLP	6-9TLP
Price (1.5 m of Lift)	ea.	STOCKED	STOCKED	STOCKED	STOCKED	STOCKED
Part Number		6-0.75TLP3	6-1.5TLP3	6-3TLP3	-	-
Price (3 m of Lift)	ea.	STOCKED	STOCKED	STOCKED	-	-
Strands of load chain		1	1	1	2	3
Dimensions (mm)	A	148	172	200	200	200
	B	90	98	115	115	115
	C	136	160	180	235	320
	H	325	380	480	620	700
	L	280	410	410	410	410
	K	34	38	48	52	58
Net Weight / 3 m of lift	kg	7	11	21	31	46
Running test load	Kn	11.0	22.0	37.5	75.0	112.5
Force to lift rated load	N	140	220	320	340	360
Load chain diameter	mm	6	8	10	10	10
Chain weight kg/m	kg	0.8	1.4	2.2	4.4	6.6



**WARNING**

WARNING - READ AND UNDERSTAND ALL WARNINGS, MAINTENANCE, AND OPERATION INSTRUCTIONS (SUPPLIED WITH EVERY UNIT)



**WARNING**

NEVER EXCEED PUBLISHED WORKING LOAD LIMIT



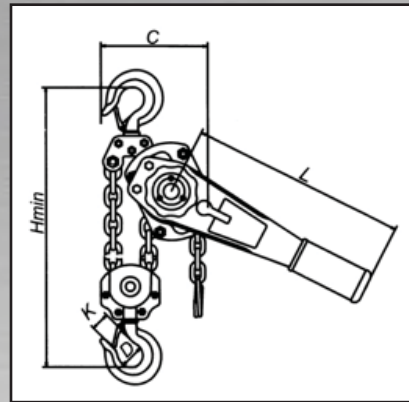
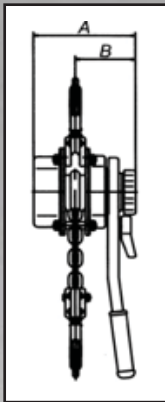


## Non-overload Protection



- Marking: Rated load, Direction of motion, Name of Manufacturer, Manufacturer's model or serial number. Product safety/warning information.
- Standard lift from stock - 3 meter - "custom chain length available on request"
- Lever Puller rated in Metric Ton = Tons of 1000kgs. (2200 pounds / 9.81kN)

## Lever Hoist - Puller, 622, Ocean Brand® (NOP)



- Patented
- Standard: EN 13157, ASME B30.21
- Finish: Painted Orange
- Identification: Trademark, Size/WLL, Date, Serial No.
- Rated in Metric Ton(s)

WLL (t)		0.75	1.5	3	6
Part Number		6-0.75TLP3-NOP	6-1.5TLP3-NOP	6-3TLP3-NOP	6-6TLPNOP
Price	ea.	STOCKED	STOCKED	STOCKED	STOCKED
Standard lift	m	3	3	3	1.5
Strands of load chain		1	1	1	2
Dimensions (mm)	A	148	172	200	200
	B	90	98	115	115
	C	136	160	180	235
	H	325	380	480	620
	L	280	410	410	410
	K	34	38	48	52
Net Weight / 3 m of lift	kg	7	11	21	31
Running test load	kN	11.0	22.0	37.5	75.0
Force to lift rated load	N	140	220	320	340
Load chain diameter	mm	6	8	10	10
Chain weight kg/m	kg	0.8	1.4	2.2	4.4
Load Chain price per foot	Ft	STOCKED	STOCKED	STOCKED	STOCKED



**WARNING**

WARNING - READ AND UNDERSTAND ALL WARNINGS, MAINTENANCE, AND OPERATION INSTRUCTIONS (SUPPLIED WITH EVERY UNIT)



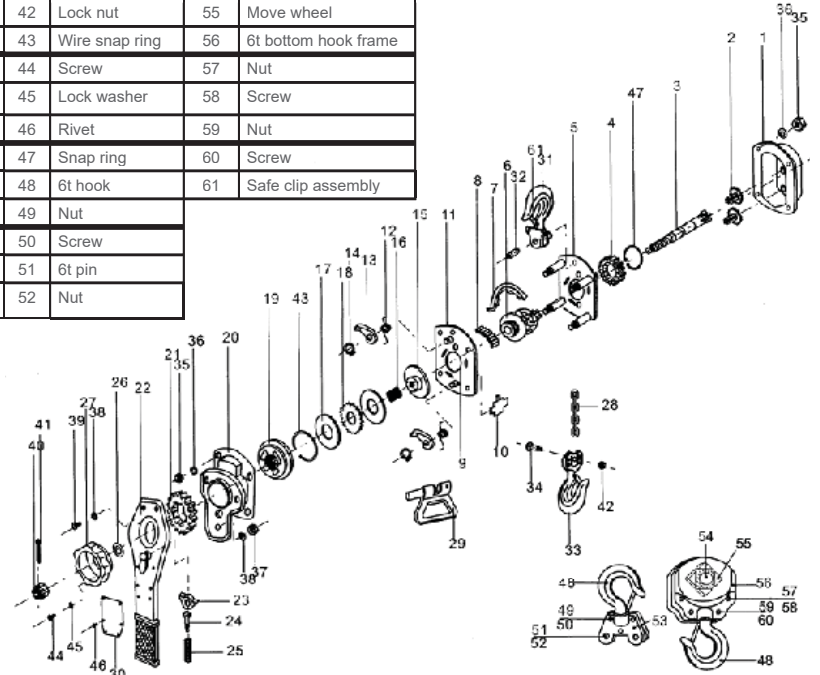
**WARNING**

NEVER EXCEED PUBLISHED WORKING LOAD LIMIT



## LEVER HOIST PARTS BREAKDOWN

#	Description	#	Description	#	Description	#	Description	#	Description
1	Gear assembly	14	Snap ring	27	Hand wheel	40	Castle nut	53	6t top hook frame
2	Disk gear assy.	15	Disk hub	28	Load chain	41	Split pin	54	Move wheel pin
3	Drive shaft	16	Free spring	29	Chain ring	42	Lock nut	55	Move wheel
4	Splined gear	17	Friction disk	30	Name plate	43	Wire snap ring	56	6t bottom hook frame
5	Gear side plate assy.	18	Ratchet disk	31	Top hook assy.	44	Screw	57	Nut
6	Load sheave	19	Female thread grip	32	Top hook shaft	45	Lock washer	58	Screw
7	Guide plate	20	Brake cover assy.	33	Bottom hook assy.	46	Rivet	59	Nut
8	Roller	21	Change over gear	34	Chain pin	47	Snap ring	60	Screw
9	Bearing race	22	Lever handle assy.	35	Hex nut	48	6t hook	61	Safe clip assembly
10	Stripper	23	Change over pawl	36	Lock washer	49	Nut		
11	Lever side plate assy.	24	Spring seat	37	Hex nut	50	Screw		
12	Pawl spring	25	Change over spring	38	Lock washer	51	6t pin		
13	Pawl	26	Bushing	39	Screw	52	Nut		



### Available Spare Parts for Lever Hoist

• Rated in Metric Ton(s)

#	Description		3/4 tonne		1-1/2 tonne		3 tonne		6 tonne
6	Load sheave	STOCKED	6-0.75TLBLS	STOCKED	6-1.5TLBLS	STOCKED	6-3-6TLBLS	STOCKED	6-3-6TLBLS
12	Pawl spring	STOCKED	6-0.75TLBPS	STOCKED	6-1.5TLBPS	STOCKED	6-3TLBPS	STOCKED	6-3TLBPS
13	Pawl	STOCKED	6-0.75TPAWL	STOCKED	6-1.5TPAWL	STOCKED	6-3TPAWL	STOCKED	6-6TPAWL
14	Snap ring	STOCKED	6-0.75TLBSR	STOCKED	6-1.5TLBSR	STOCKED	6-3TLBSR	STOCKED	6-3TLBSR
16	Free spring	STOCKED	6-0.75TLBFS	STOCKED	6-1.5TLBFS	STOCKED	6-3TLBFS	STOCKED	6-3TLBFS
17	Friction disk	STOCKED	6-0.75TFD	STOCKED	6-1.5TFD	STOCKED	6-3TFD	STOCKED	6-6TFD
19	Female thread grip	STOCKED	6-0.75TLBFTG	STOCKED	6-1.5TLBFTG	STOCKED	6-3TLBFTG	STOCKED	6-3TLBFTG
20	Brake cover assembly	STOCKED	6-0.75TLBBCA	STOCKED	6-1.5TLBBCA	STOCKED	6-3TLBBCA	STOCKED	6-3TLBBCA
23	Change over pawl	STOCKED	6-0.75TLBCOP	STOCKED	6-1.5TLBCOP	STOCKED	6-3TLBCOP	STOCKED	6-3TLBCOP
24	Spring seat	STOCKED	6-0.75TLBSS	STOCKED	6-1.5TLBSS	STOCKED	6-3TLBSS	STOCKED	6-3TLBSS
25	Change over spring	STOCKED	6-0.75TLBCOS	STOCKED	6-1.5TLBCOS	STOCKED	6-3TLBCOS	STOCKED	6-3TLBCOS
26	Bushing	STOCKED	6-0.75TLBB	STOCKED	6-1.5TLBB	STOCKED	6-3TLBB	STOCKED	6-3TLBB
28	Load chain	STOCKED	6-0.5-1TCBCH	STOCKED	6-1.5-3TCBCH	STOCKED	6-5T-10TCBCH	STOCKED	6-5T-10TCBCH
29	Chain ring	STOCKED	6-0.75TLBCR	STOCKED	6-1.5TLBCR	STOCKED	6-3TLBCR	STOCKED	6-3TLBCR
30	Name plate	STOCKED	6-0.75TLBNP	STOCKED	6-1.5TLBNP	STOCKED	6-3TLBNP	STOCKED	6-3TLBNP
31	Top hook assembly	STOCKED	6-0.75TLBTHA	STOCKED	6-1.5TLBTHA	STOCKED	6-3TLBTHA	STOCKED	6-6TLBTHA
32	Top hook shaft	STOCKED	6-0.75TLBTHS	STOCKED	6-1.5TLBTHS	STOCKED	6-3TLBTHS	STOCKED	6-3TLBTHS
33	Bottom hook assembly	STOCKED	6-0.75TLBBHA	STOCKED	6-1.5TLBBHA	STOCKED	6-3TLBBHA	STOCKED	6-6TLBBHA
34	Chain pin	STOCKED	6-0.75TLBCP	STOCKED	6-1.5TLBCP	STOCKED	6-3TLBCP	STOCKED	6-6TLBCP
35	Hex nut	STOCKED	6-0.75TLBHN	STOCKED	6-1.5TLBHN	STOCKED	6-3TLBHN	STOCKED	6-3TLBHN
36	Lock washer	STOCKED	6-0.75TLBLW	STOCKED	6-1.5TLBLW	STOCKED	6-3TLBLW	STOCKED	6-3TLBLW
37	Hex nut	STOCKED	6-0.75TLBHNN	STOCKED	6-1.5TLBHNN	STOCKED	6-3TLBHNN	STOCKED	6-3TLBHNN
38	Lock washer	STOCKED	6-0.75TLBLW38	STOCKED	6-1.5TLBLW38	STOCKED	6-3TLBLW38	STOCKED	6-3TLBLW38
39	Screw	STOCKED	6-0.75TLBS	STOCKED	6-1.5TLBS	STOCKED	6-3TLBS	STOCKED	6-3TLBS
40	Castle nut	STOCKED	6-0.75TLBCN	STOCKED	6-1.5TLBCN	STOCKED	6-3TLBCN	STOCKED	6-3TLBCN
41	Split pin	STOCKED	6-0.75TLBSP	STOCKED	6-1.5TLBSP	STOCKED	6-3TLBSP	STOCKED	6-3TLBSP
42	Lock nut	STOCKED	6-0.75TLBLN	STOCKED	6-1.5TLBLN	STOCKED	6-3TLBLN	STOCKED	6-3TLBLN
43	Wire snap ring	STOCKED	6-0.75TWSR	STOCKED	6-1.5TWSR	STOCKED	6-3TWSR	STOCKED	6-3TWSR
44	Screw	STOCKED	6-0.75TLBSS44	STOCKED	6-1.5TLBSS44	STOCKED	6-3TLBSS44	STOCKED	6-3TLBSS44
45	Lock washer	STOCKED	6-0.75TLBLW45	STOCKED	6-1.5TLBLW45	STOCKED	6-3TLBLW45	STOCKED	6-3TLBLW45
46	Rivet	STOCKED	6-0.75TLBR	STOCKED	6-1.5TLBR	STOCKED	6-3TLBR	STOCKED	6-3TLBR
47	Snap ring	STOCKED	6-0.75TLBSR47	STOCKED	6-1.5TLBSR47	STOCKED	6-3TLBSR47	STOCKED	6-3TLBSR47



## VULCAN HOIST CO.

### History

Vulcan Hoist Co. Ltd. is a manufacturer of lifting equipment established in 1947. This Montreal-based company is the only Canadian manufacturer of electric hoists and trolleys. Vulcan offers sturdy, reliable and custom-made products to meet customer needs. It also carries a full range of manual chain hoists, ratchet pullers, beam and plate clamps and other lifting related products since 1973. With a complete parts inventory and qualified technical staff, Vulcan also offers rental, repair and certification services.



### Vulcan – an Overview

Vulcan is best known for its ability to custom build products to meet the specific needs of each application. It has the expertise to address customers' lifting needs by providing solutions adapted to their particular situation. It is able to do this thanks to:

- It's qualified personnel, who specializes in the design, manufacture and maintenance of hoists, trolleys and winches;
- It's 70-year legacy of manufacturing and continually improving their lifting products in Canada;
- It's Montreal plant with access to a full product inventory, with all spare parts available on-site.

Vulcan offers products that comply with ANSI B30.16 or B30.21 standards and are CSA certified. But above all, they have a **solid reputation for their robustness, durability and reliability.**

- The **ONLY** Canadian manufacturer of electric chain hoists, trolleys and winches.
- Customized products
- Anti-Corrosion treatment on chain and/or Hook
- Wide selection of lifting speeds
- Combines hoist-trolleys with low headroom
- Water-resistand control and electric box
- Highly skilled personnel
- Radio control available for all electric products
- CSA Approved on one speed hoists

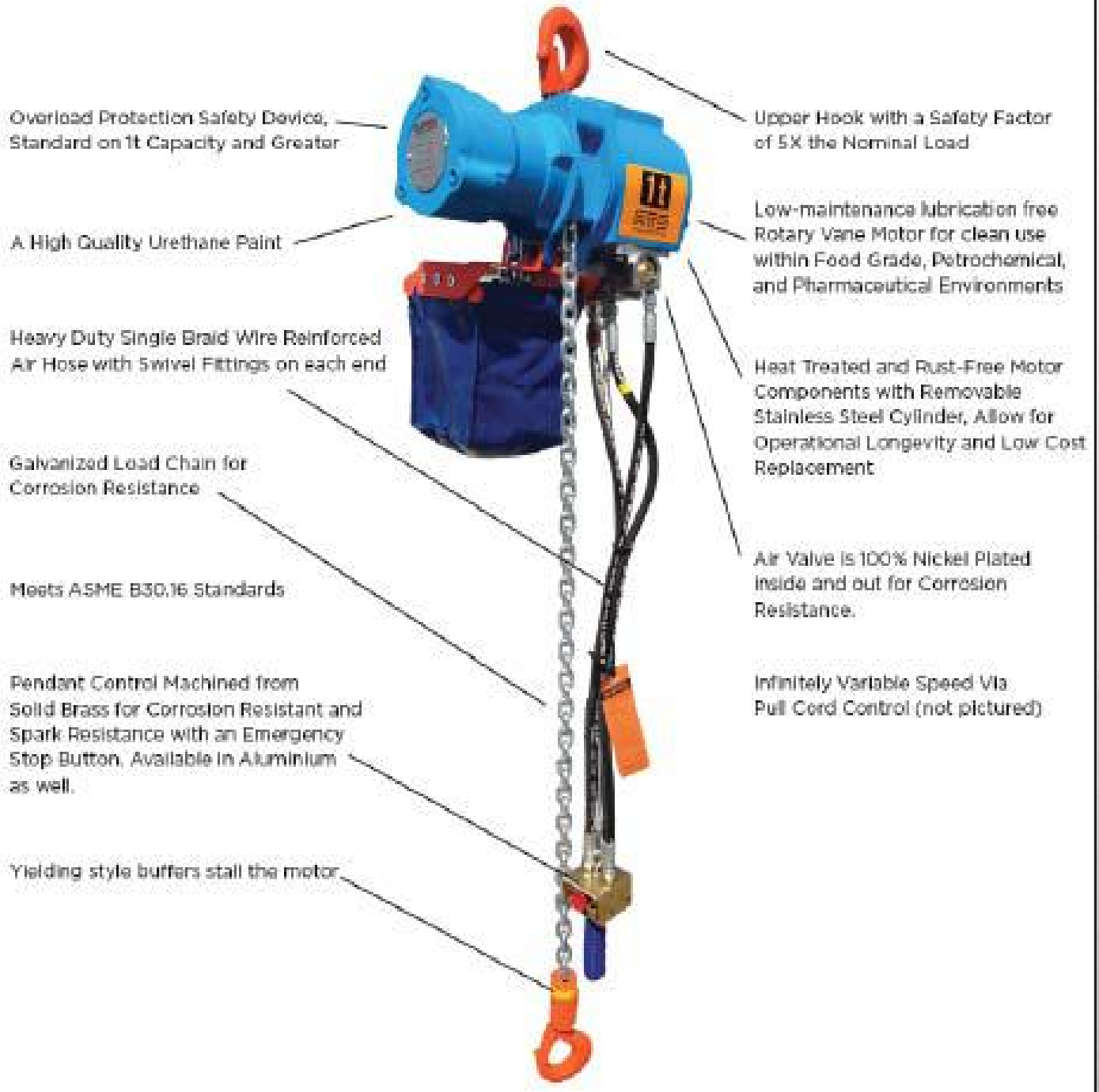




**ELEPHANT LIFTING PRODUCTS**

# ELEPHANT

**LIFTING PRODUCTS™**



Overload Protection Safety Device, Standard on 1t Capacity and Greater

A High Quality Urethane Paint

Heavy Duty Single Braid Wire Reinforced Air Hose with Swivel Fittings on each end

Galvanized Lead Chain for Corrosion Resistance

Meets ASME B30.16 Standards

Pendant Control Machined from Solid Brass for Corrosion Resistant and Spark Resistance with an Emergency Stop Button, Available in Aluminium as well.

Yielding style buffers stall the motor

Upper Hook with a Safety Factor of 5X the Nominal Load

Low-maintenance lubrication free Rotary Vane Motor for clean use within Food Grade, Petrochemical, and Pharmaceutical Environments

Heat Treated and Rust-Free Motor Components with Removable Stainless Steel Cylinder, Allow for Operational Longevity and Low Cost Replacement

Air Valve is 100% Nickel Plated inside and out for Corrosion Resistance.

Infinitely Variable Speed Via Pull Cord Control (not pictured)



**WARNING**

NEVER EXCEED PUBLISHED WORKING LOAD LIMIT



## Block - Chain Hoist, ATS Compact, Air, 0.25 t ~ 2 t, Elephant®

Lifting Accessories



SPECIFICATIONS - ATSC COMPACT SERIES AIR CHAIN HOIST - 0.25 t - 2 t					
Lifting Capacity (metric ton(s))	t	0.25	0.5	1	2
Number of Falls of Chain		1	1	1	2
Motor Power Output	kW	1.1	1.1	1.1	1.1
Weight with Standard Lift	lb	40	40	145	55
Chain Weight per Additional Foot of Lift	lb	0.75	0.75	0.75	1.5
Chain Dimension	mm	7 x 21	7 x 21	7 x 21	7 x 21
Air Pressure	bar	6	6	6	6
Air Consumption at Full Load	m³/min	1.75	1.75	1.75	1.75
Air Hose Connection	1/2" BSP				
Air Hose Dimension	min 13 mm (1/2")				
Lifting Speed at Full Load	ft/min	89	64	22	13
Lifting Speed without Load	ft/min	122	123	36	18
Lowering Speed with Full Load	ft/min	98	98	36	20
Standard Lift	ft	10	10	10	10
Length of Control for Standard Lift	ft	6.5	6.5	6.5	6.5
Noise Level	84 dBA @ 1 m				

Pricing on Request

## Block - Chain Hoist, ATS Industrial Series, Air, 0.25 t ~ 2 t, Elephant®



SPECIFICATIONS - ATS AIR CHAIN HOIST - 0.25 t - 2 t					
Lifting Capacity (metric ton(s))	t	0.25	0.5	1	2
Number of Falls of Chain		1	1	1	1
Motor Power Output	H.P.	1.9	1.9	1.9	2.4
	kW	1.4	1.4	1.4	1.4
Weight with Pull Cord	lb	55	55	64	72
Weight with Pilot Pendant	lb	62	62	71	79
Chain Weight Per Additional Foot of Lift	lb	0.75	0.75	0.75	1.5
Chain Dimension	mm	7 x 21	7 x 21	7 x 21	9 x 27
Air Pressure	PSI	87	87	87	87
	bar	6	6	6	6
Air Consumption at Full Load	cfm	60-75	60-75	60-75	95
	m³/min	1.75	1.75	1.75	1.75
Air Hose Connection	1" BSP				
Air Hose Dimension	3/4" (19 mm - 25 mm)				
Lifting Speed at Full Load	ft/min	89	62	19	29
Lifting Speed without Load	ft/min	98	98	26	43
Lower Speed with Full Load	ft/min	108	108	24	45
Standard Lift	ft	10	10	10	10
Noise Level	84 dBA @ 1 m				

Pricing on Request

## Block - Chain Hoist, ATS Industrial Series, 3 t ~ 10 t, Elephant®



SPECIFICATIONS - AIR CHAIN HOIST - 3 t - 10 t						
Lifting Capacity (metric ton(s))	t	3	4.2	5	6	10
Number of Falls of Chain		1	1	1	2	2
Motor Power Output	H.P.	2.4	3.3	3.3	2.4	3.3
	kW	1.8	2.5	2.5	1.8	2.5
Weight with Pull Cord	lb	130	160	162	171	267
Weight with Pilot Pendant	lb	137	167	169	178	274
Chain Weight Per Add'l Foot of Lift	lb	2.5	2.5	4	5.2	8
Chain Dimension	mm	13x36	13x36	16x45	13x36	16x45
Air Pressure	PSI	72-102	72-102	72-102	72-102	72-102
	bar	5-7	5-7	5-7	5-7	5-7
Air Consumption at Full Load	cfm	110	110	110	110	110
	m³/min	1.75	1.75	1.75	1.75	1.75
Air Hose Connection	3/4" BSP					
Air Hose Dimension	3/4" (19 mm - 25 mm)					
Lifting Speed at Full Load	ft/min	18.3	8.5	8.5	9.3	4.2
Lifting speed without Load	ft/min	23.75	9.8	18.3	13.1	9.1
Lower Speed with Full Load	ft/min	25.4	11.4	2.4	14.3	11.8
Standard Lift	ft	10	10	10	10	10
Length of Control for Standard Lift	ft	6.5	6.5	6.5	6.5	6.5
Noise Level	84 dBA @ 1 m					

Pricing on Request

Lifting Accessories

## Block - Chain Hoist, ATS Industrial Series, Air, 15 t ~ 25 t, Elephant®



SPECIFICATIONS - AIR CHAIN HOIST - 15 t - 25 t				
Lifting Capacity (metric ton(s))	t	15	20	25
Number of Falls of Chain		4	4	4
Motor Power Output	H.P.	3.4	3.4	6.7
	kW	2.5	2.5	5
Weight with Pull Cord	lb	518	683	794
Weight with Pilot Pendant	lb	525	690	801
Chain Weight Per Additional Foot of Lift	lb	3.75	6.25	7.5
Chain Dimension	mm	13 x 36	16 x 45	16 x 45
Air Pressure	PSI	87	87	87
	bar	6	6	6
Air Consumption at Full Load	cfm	110	110	110
	m³/min	1.75	1.75	1.75
Air Hose Connection	1" BSP			
Air Hose Dimension	3/4" (19 mm - 25 mm)			
Lifting Speed at Full Load	ft/min	2.9	2.1	1.7
Lifting Speed without Load	ft/min	6.1	4.6	4.5
Lower Speed with Full Load	ft/min	4.8	5.9	6
Standard Lift	ft	10	10	10
Length of Control for Standard Lift	ft	6.5	6.5	6.5
Noise Level	84 dBA @ 1 m			

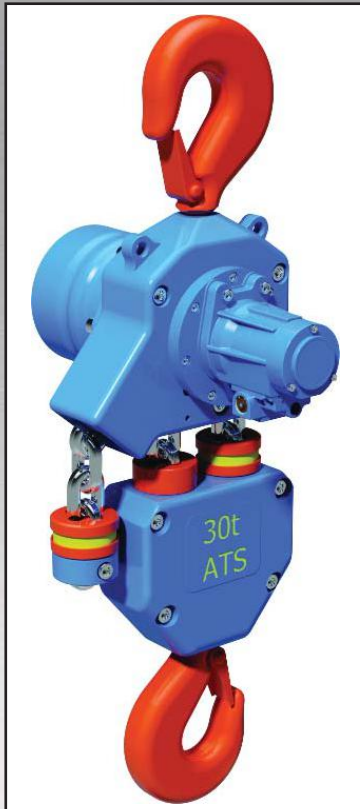
Pricing on Request





**Block - Chain Hoist, ATS Industrial Series, 30 t ~ 40 t, Elephant®**

Lifting Accessories



SPECIFICATIONS - AIR CHAIN HOIST - 30 t - 40 t			
Lifting Capacity (metric ton(s))	t	30	37-40
Number of Falls of Chain		2	3
Motor Power Output	H.P.	6.7	6.7
	kW	5	5
Weight with Pull Cord	lb	1124	1940
Weight with Pilot Pendant	lb	1134	1950
Chain Weight Per Additional Foot of Lift	lb	15	25
Chain Dimension	mm	23.5x66	23.5x66
Air Pressure	PSI	87	87
	bar	5-7	5-7
Air Consumption at Full Load	cfm	155	155
	m³/min	4.4	4.4
Air Hose Connection	1" BSP		
Air Hose Dimension	1" (25 mm)		
Lifting Speed at Full Load	ft/min	2.9	2.3
Lifting speed without Load	ft/min	3.9	3.2
Lower Speed with Full Load	ft/min	6.5	4.5
Standard Lift	ft	10	10
Length of Control for Standard Lift	ft	6.5	6.5
Noise Level	84 dBA @ 1 m		

Pricing on Request

**Block - Chain Hoist, ATS Industrial Series, Air, 50 t ~ 100 t, Elephant®**



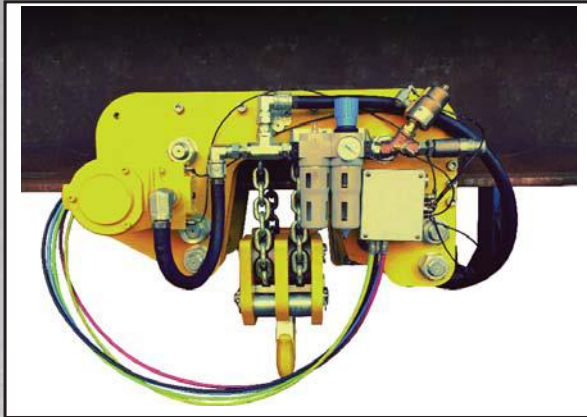
SPECIFICATIONS - ATS INDUSTRIAL SERIES - 50 t - 100 t			
Lifting Capacity (metric ton(s))	t	50-60	100
Number of Falls of Chain		4	4
Motor Power Output	H.P.	4.2	4.2
	kW	3.2	3.2
Weight with Pull Cord	lb	2028	5027
Weight with Pilot Pendant	lb	2036	5037
Chain Weight Per Additional Foot of Lift	lb	33	57
Chain Dimension	mm	23.5X66	32X90
Air Pressure	PSI	87	87
	bar	5 to 7	5 to 7
Air Consumption at Full Load	cfm	160	160
	m³/min	6.2	6.2
Air Hose Connection	1.5" BSP		
Air Hose Dimension	1.5" (38 mm)		
Lifting Speed at Full Load	ft/min	1.4	1
Lifting Speed without Load	ft/min	4.2	2.3
Lower Speed with Full Load	ft/min	3.2	2.6
Standard Lift	ft	10	10
Length of Control for Standard Lift	ft	6.5	6.5
Noise Level	84 dBA @ 1 m		

Pricing on Request

## Block - Chain Hoist, BOP Handling Matrix, 20 t ~ 240 t, Elephant®

**Application:** Designed for handling Blow Out Preventers on land and offshore drilling rigs. ATS Pneumatic's BOP systems have been engineered to meet or exceed current regulations set forth for the oilwell drilling industry.

- Standard Hoists are Atex approved, EX II 2 GD IIC T4 (X) / EX II 2 GD IIB T4 (X) / EX II 2 GD IIC T4 (X)
- Copper platings and stainless steel components can be offered for increased spark resistance
- Can be used in pairs, or even sets of four
- Can be controlled via a synchronized control console that allows for operation of any one hoist, or combination of multiple units simultaneously.
- Can be offered with integral wireless load cells
- ABS and DNV load test witness can be arranged
- Bottom blocks have water drain ports, allowing corrosive sea water to drain from the block
- The sheave for the load chain has an exterior access point for lubrication
- Filter lubricator station mounted on unit
- Corrosion resistant marine packages are available with special platings and paint finishes
- Galvanized steel and stainless steel chain containers are available.



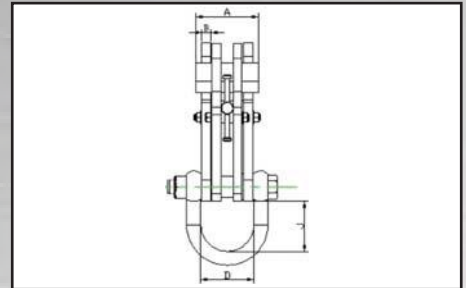
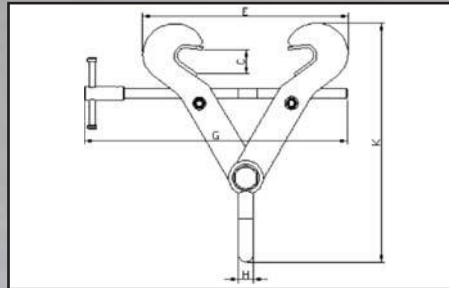
**WARNING**

NEVER EXCEED PUBLISHED WORKING LOAD LIMIT





## Clamp - Jumbo Beam, Elephant®



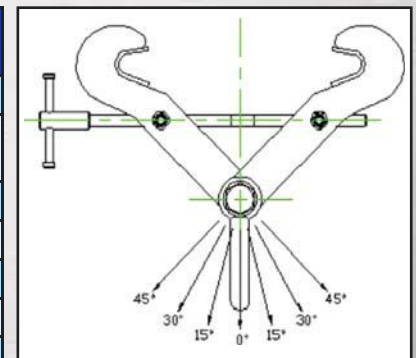
The Jumbo Beam Clamp is a great option for rigging applications. This clamp line features a wide jaw opening for wide flange beams used throughout industry. The JBC's clamp screw assembly is also zinc plated. This clamp series features metric capacities that range from 3, 5, 6, 10 and 16 tons.

### SPECIFICATIONS & DIMENSIONS - JUMBO BEAM CLAMP

Type	S.W.L. (lb)	S.W.L. US Ton	Beam Width (in)	Dimensions (in)									Jaw Type	Weight (lb)
				A	B	C	D	E max	G	H	J	K min		
JBC-3A	6600	3.3	3.00-7.48	5.12	0.55	1.06	4.21	10.71	10.87	0.79	3.35	10.00	Fixed	18
JBC-5A	11000	5.5	6.00-12.00	5.50	0.55	1.81	4.80	17.72	16.10	0.98	3.90	12.56	Fixed	33
JBC-5B	11000	5.5	3.00-7.48	5.50	0.55	1.81	4.80	13.39	13.35	0.98	3.90	12.99	Fixed	22
JBC-6	13200	6.6	8.00-18.00	5.51	0.79	2.17	4.69	23.62	22.01	0.98	3.90	16.46	Fixed	42
JBC-10	22000	11	8.00-18.00	5.51	0.79	2.17	4.69	23.62	22.01	1.26	3.90	16.46	Fixed	62
JBC-16A	35000	17.6	16.00-24.00	6.89	0.79	3.00	5.12	24.02	31.89	1.77	7.87	25.75	Fixed	135
JBC-16B	35000	17.6	8.00-18.00	6.89	0.79	3.00	5.12	17.99	25.98	1.77	7.87	22.60	Fixed	119

### SIDE LOAD ACROSS BEAM ONLY - CLAMP MUST BE FLUSH ON BEAM WITH SHACKLE AT A ZERO DEGREE DOWNWARD FACING ANGLE

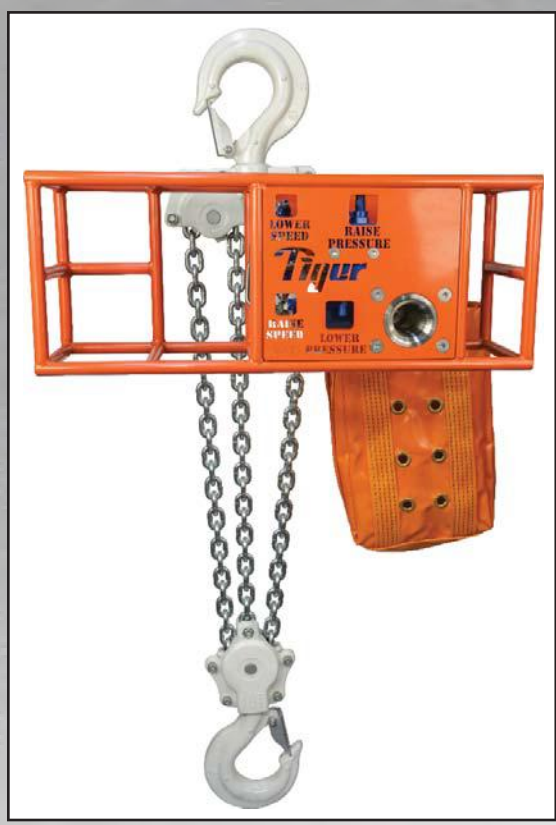
Chart only applies to overhead beam attachment. If clamps are being used to lift beams, this information is not applicable. Table applies to the listed models only. Stress calculations should be performed by the end user's engineering dep.	Reduction in working load limit when side loads are applied				
	Angle from vertical (degree)	0	0 to 15	15 to 30	30 to 45
Reduction Factor	NIL	17.00%	34.00%	50.00%	
Model	WLL	WLL	WLL	WLL	
JBC-3A	3 ton	2.5 ton	2 ton	1.5 ton	
JBC-5A	5 ton	4.1 ton	3.3 ton	2.5 ton	
JBC-6	6 ton	5 ton	4 ton	3 ton	
JBC-10	10 ton	8.3 ton	6.6 ton	5 ton	
JBC-16B JBC-16A	16 ton	13.2 ton	10.5 ton	8 ton	







**Block - Chain Hoist, ROV Compatible, Tiger®**



The Tiger ROV compatible chain block is available in various different interface options all in accordance with BS ISO 13628-8:2002 ROV Interfaces on Subsea production systems. Tested and finished in accordance with Annexes B & K of BS ISO 13628-1:2005:

1. Hydraulic Hot Stab connection type A and B
2. Rotary Torque Receptacle Classes 1,2 & 3
3. D Handle, T-bar or Fishtail Direct Drive manual connection
4. QD Direct Drive Couplings

Available as a 3.0t, 10t, 15t and 20t (single head six fall) capacity chain blocks, chained up to project specific heights of lift (HOL) that can be pre-set to meet the exact starting point required within the rigging drawings.

- 3.0t, 10.0t, 15.0t and 20.0t capacity units available
- Fully corrosion protected
- Stainless steel 316 framework and handle
- Proven Subsea brake design
- Patented Quad Cam pawl system
- One-piece brake chamber cover
- Heavy duty flexible chain bag c/w stainless steel mounting frame
- 4 Point manipulator connection points
- Compact and light weight
- Balanced design for easy handling and installation
- Subsea suitable bearings for top and bottom hook load sheaves
- Marine specific friction discs
- New hand wheel feature for on-deck height of lift adjustments
- Bespoke chain lengths to meet exact customer requirements
- Full individual spares back up
- Each unit is fully tested and certified before delivery

Product Code	Capacity (tons, T)	Effort (kg, lb)	Dimensions (mm)							Load Chain		Standard HOL (m, ft)	Mass @ std HOL (kg, lb)	Mass for extra metre HOL (kg, lb)
			A	B	C	D	E	F1	F2	Dia. (mm)	No. of falls			
SCB-0300	3.0, 3.3	38, 84	109	84	550	98	157	36	56	10	1	3, 10	30.5, 67.2	3.2, 7.0
SCB-1000	10.0, 11.0	40, 88	109	84	660	153	263	54	87	10	3	3, 10	64.0, 141.0	7.5, 16.5
SCB-1500	15.0, 16.5	41, 90	109	84	840	225	378	59	81	10	5	3, 10	128.5, 283.3	11.8, 26.0
SCB-2000	20.0, 22.0	43, 95	161	90	1050	148	360	81	110	10	6	3, 10	178.5, 393.5	14.2, 31.3



**Lever Hoist - Puller, SS11, Subsea, Tiger®**

Lifting Accessories



The original & proven subsea lever hoist – constantly developed and improved.

The SS11 has been designed and developed over a number of years for use primarily in the Subsea environment. The unique design features - including the one piece construction pinion gears and Quad Cam Pawl System - and the anti-corrosion properties incorporated in this range, give it significant safety advantages over standard lever hoists, making the hoist the ideal tool for all marine and extreme applications.

- Suitable for use in multi-immersion applications
- DNV GL Verification tested according to NORSOK R-002
- Available with slipping clutch overload protection
- Range from 800kg –20000kg (1764 - 44092lb)
- Available with forged clevis adaptor components
- Patented Quad Cam Pawl System
- Certified and proven track record
- Equipped with our unique Torsion Brake System
- One piece construction pinion gear
- Marine specific friction discs
- Light load protection at 2% of the rated capacity
- Lifts, holds and lowers the load at 2% of rated capacity
- No requirement for preload tension to activate the ratchet mechanism
- Adaptable to use both inverted and horizontally
- Brake chamber protection from outside contamination
- High performance premium grease
- Stainless steel fixings and fasteners
- Operating temp. range -40°C to +50°C (-40°F to +122°F)

- Adjustable chain end anchorage specifically designed to the contours of the hoist
- Available with load bearing swivel hooks to meet relevant standards i.e. AS 1418.2
- Also available with stainless steel load chain
- Spark resistant option available
- The SS11 meets and exceeds the requirements of IMCA DO28 Rev. 1 “Guidance on the use of chain lever hoists in the offshore subsea environment”, as well as other industry client specifications whilst conforming to standards such as BS EN 13157: 2004+A1:2009, ANSI/ASME B30.21-2005, AS1418.2 and SANS 1636.

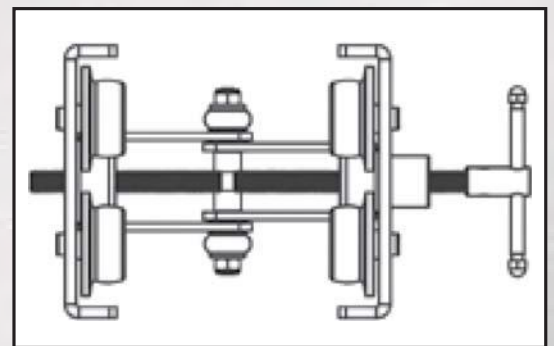
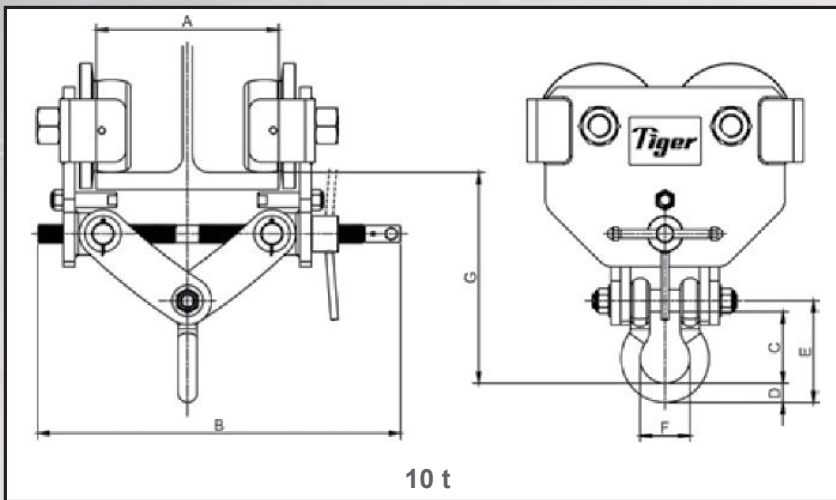
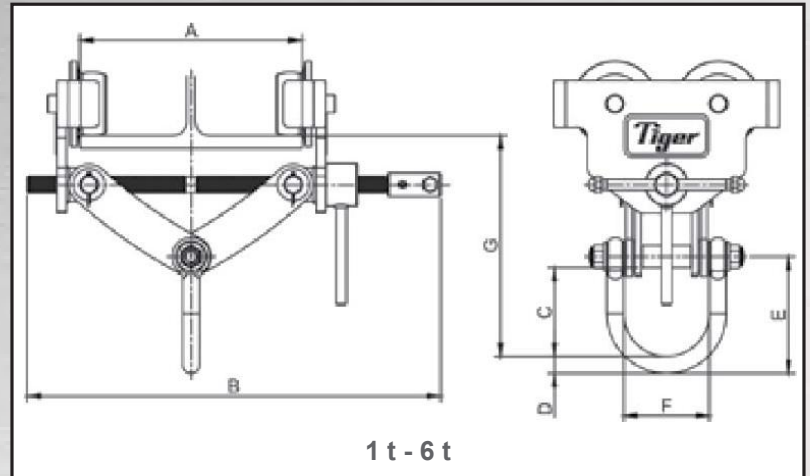
Product Code	Capacity (tons, T)	Effort (kg, lb)	Dimensions (mm)							Load Chain		Standard HOL (m, ft)	Mass @ std HOL (kg, lb)	Mass for extra metre HOL (kg, lb)
			A	B	C	D	E	F1	F2	Dia. (mm)	No. of falls			
SS-0080	0.8, 0.88	23, 50	128	243	295	158	99	28	45	6.3	1	3, 9.8	9.0, 19.8	0.9, 2.0
SS-0150	1.5, 1.65	26, 57	154	370	320	172	104	34	51	7.1	1	3, 9.8	12.5, 27.6	1.1, 2.4
SS-0300	3.0, 3.31	38.84	182	370	400	195	108	36	56	10.1	1	3, 9.8	22.0, 48.5	2.2, 4.9
SS-0600	6.0, 6.61	40, 88	242	370	570	195	108	49	70	10.0	2	3, 9.8	34.5, 76.1	4.3, 9.5
SS-1500	15.0, 11.0	47, 104	379	370	630	195	108	54	87	10.0	3	3, 9.8	55.0, 121.2	6.5, 14.3
SS-1500	15.0, 16.53	44, 97	566	370	840	195	108	59	81	10.0	5	3, 9.8	128.0, 282.2	10.8, 23.8
SS-2000	20.0, 22.04	49, 108	470	370	1050	250	160	81	110	10.0	6	3, 9.8	174.0, 383.6	13.1, 28.9



## Trolley - Adjustable, Tiger®

### Plain APT

- Fitted with a screw spindle which allows easy adjustment and high clamping force to the various flange sizes within its capacity
- Designed to provide smooth and easy traversing
- The anti-drop plates design ensures extra safety, and also prevents damage to wheels when contacting end rail stop-pers
- Wheels run on sealed ball bearings for smoother rolling with less effort and maintenance
- Plain Trolley Range from 1.0t to 10.0t. Geared trolley available as 6t or 10t unit
- Operating temperature of -30°C to +50°C (-22°F to +122°F) (temperature range of -50°C to +50°C (-58°F to +122°F) available as an option)
- The 5:1 factor of safety allows for use with manual or powered hoists.



Product Code	Type	Capacity (tons, T)	Track width range (mm)	Dimensions (mm)						Min. curve ratio (m, ft)	Net Weight (kg, lb)
				A	B	C	D	E	F		
APT-0100	Plain	1.0, 1.1	75-210	391	83	16	110	81	255-208	1.0, 3.3	9.5, 20.9
APT-0200	Plain	2.0, 2.2	75-210	391	94	18	123	89	276-227	1.3, 4.3	13.5, 29.8
APT-0300	Plain	3.0, 3.3	75-210	403	105	22	141	112	288-241	1.5, 4.9	23.0, 50.7
APT-0600	Plain	6.0, 6.6	105-305	521	111	27	151	125	358-290	1.5, 4.9	35.5, 78.3
APX-1000	Plain	10.0, 11.0	160-305	606	119	32	170	83	400-340	2.7, 8.9	118.0, 260.1





## Trolley - Spark Resistant, Tiger®



Ex II 2 GD c IIC T4 IIIC T135°

In many areas of industry, plants are operated with potentially explosive atmospheres. Due to the very high risk to personal and other assets, extremely strict guidelines and technical requirements are in place in explosive zones.

Tiger Spark Resistant products are manufactured in accordance with ATEX Directive 94/9/EC and the Machinery Directive 2006/42/EC.

Our products are lightweight and durable with a proven track record.

Plain and geared trolleys available.

- Solid bronze trolley wheels
- Rubber buffers for trolleys
- Copper plated hand wheel and stainless steel hand chain (geared trolley)
- Copper plated hanging plate
- Special corrosion protected body
- Combination block and trolley units available
- Optional Beam locking device

It is the responsibility of the user to identify which explosion proof classification is required, not the hoist manufacturer or supplier.

### Certification:

Under the ATEX Directive 94/9/EC, equipment for areas with an explosion hazard is assigned to groups, categories and temperature classes. Our products are assigned as follows:

Ex II 2 GD c IIC T4 IIIC T135°C

Suitable for gas and dust hazardous areas: Zone 1 & 2 (gas) and Zone 21 & 22



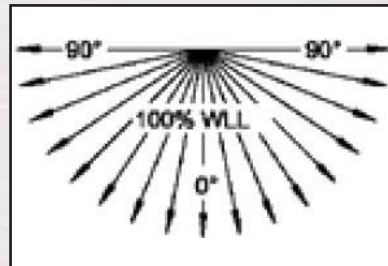
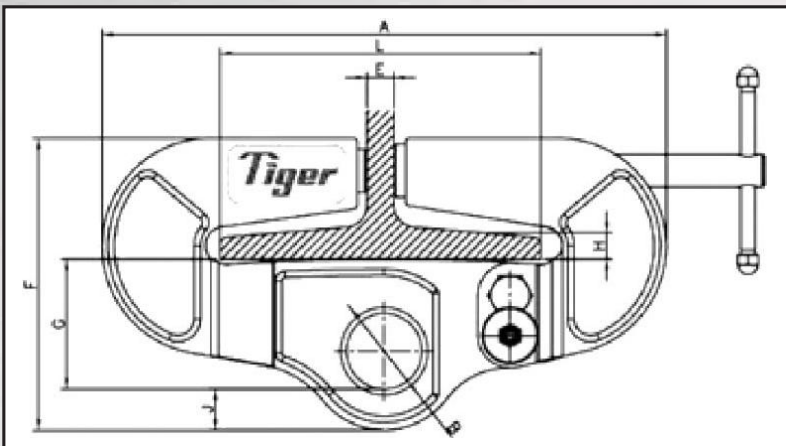
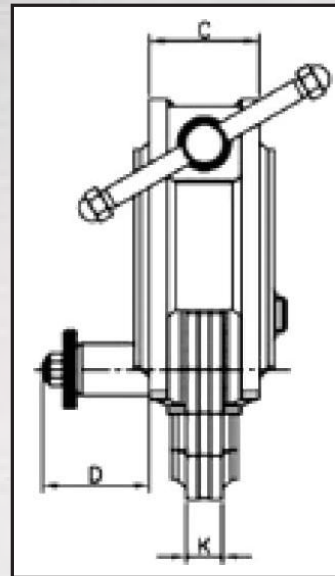


## Clamp - Beam, Universal, BCU, Tiger®

The Tiger Universal Beam Clamp Model No BCU has been designed not only for vertical use, but also for side load applications, where conventional clamps are not suitable. This clamp is highly flexible in application and can be used for lifting, pulling or as a semi-permanent anchor point.

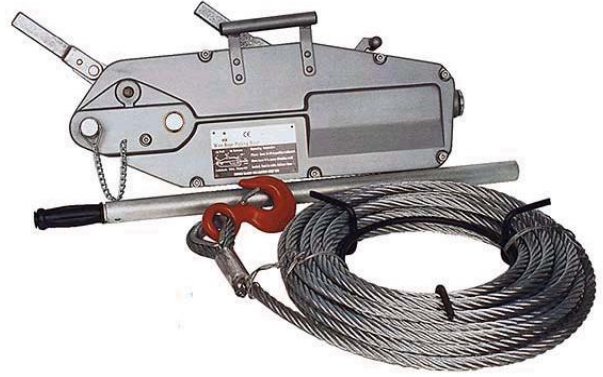
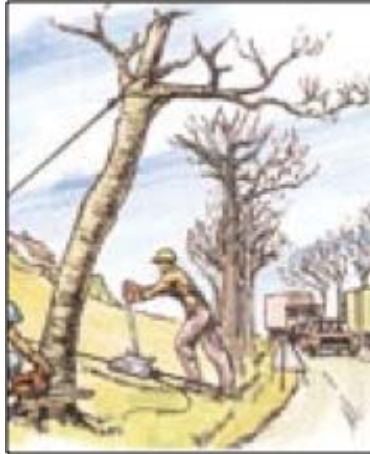
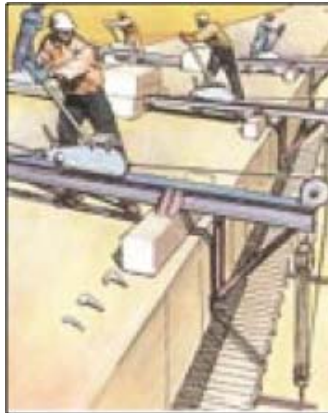
It can be loaded at any angle and eliminates the use of spreader beams in various lifting operations.

- Suitable for pulling and lifting at angles across the beam
- Designed for both vertical and side loading applications can be loaded at any angle
- Full rated capacity at any lifting angle
- 3.0t and 5.0t capacities available, 10t available soon
- Quick and versatile rigging point for hoisting equipment
- Low headroom design
- Highly flexible – for lifting, pulling or as a semi-permanent anchor point
- Designed to accommodate a wide range of beam widths
- Multidirectional adjusting screw spindle ensures a high clamping force to the beam web
- Operating temperature of -50°C to +50°C (-58°F to +122°F)
- 4:1 factor of safety
- Complies with ASME B30.20 and EN13155:2003+A2 :2009



Product Code	Capacity (tons, T)	Dimensions (mm)											Net Weight (kg, lb)
		B	C	D	E	F	G	H	I	J	K	L	
BCU-0300	3.0, 3.3	387	60	70	63	32	235	100	25.4	28	20	125-204	15.5, 34.2
BCU-0500	5.0, 5.5	524	70	74	72	32	270	120	25.4	38	24	125-305	27.0, 59.5
BCU-1000	10.0, 11.0	524	70	75	82	32	278	120	25.4	38	25	125-305	TBA





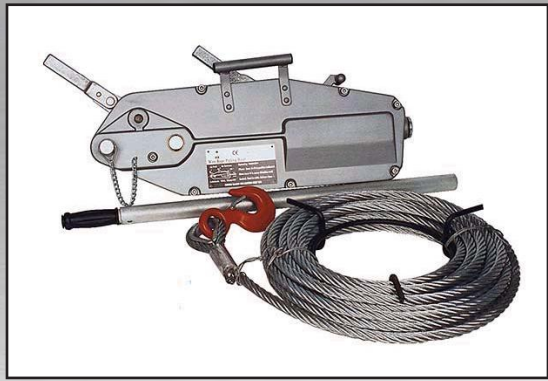
Lifting Accessories

### Winch - Wire Rope, Spare Pin



For Size (t)	Spare Replacement Shear Pins	
	Price / ea.	Part Number
0.8	STOCKED	6-0.8T#16SAFETYBOLT
1.6	STOCKED	6-1.6T#16SAFETYBOLT
3.2	STOCKED	6-3.2T#16SAFETYBOLT

### Winch - Wire Rope



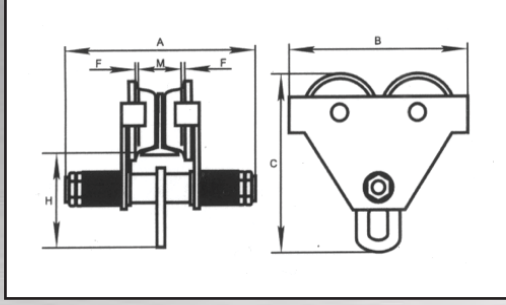
- Complete with: wire, hook and handle.
- Safe, reliable, and efficient, these units are suitable for many applications.
- One man operated, using a telescopic handle, they work in any position and over any height of lift.
- Can replace conventional winches and other hoists for many applications.
- Proof load to the WLL, and use only properly sized dry galvanized wire rope provided with units.
- Standard: EN 13157
- Identification: Trademark, Size/WLL, Date
- Rated in Metric Ton(s)

Capacity lifting (t)	Capacity pulling (t)	Rope dia. (mm)	Weight / each (kg)	Size (mm)	Drive Step	c/w std wire length (m)	Spare Replacement Handles		Price / ea.	Part Number
							Price / ea.	Part Number		
0.8	1.3	8	6	428 x 64 x 235	1	20 m	STOCKED	6-0.8TWRWHANDLE	STOCKED	6-0.8TWRW
1.6	2.6	11	12	545 x 97 x 286	1	20 m	STOCKED	6-1.6TWRWHANDLE	STOCKED	6-1.6TWRW
3.2	5.2	16	23	660 x 116 x 350	2	10 m	STOCKED	6-3.2TWRWHANDLE	STOCKED	6-3.2TWRW

**WARNING** WARNING - READ AND UNDERSTAND ALL WARNINGS, MAINTENANCE, AND OPERATION INSTRUCTIONS (SUPPLIED WITH EVERY UNIT)



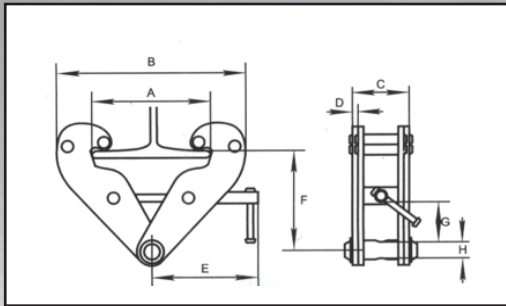
## Trolleys - Beam, Push Travel



- For use on 'I' Beams
- Standard: EN 13157
- Identification: Trademark, Size/WLL, Date, Serial No.
- Rated in Metric Ton(s)

WLL (t)	1-Beam Width (mm)	Min. Radius Curve (m)	N.W. (kg)	A (mm)	B (mm)	C (mm)	H (mm)	Price / ea.	Part Number
0.5	64-140	0.6	7	230	212	198.5	113	STOCKED	6-0.5TT
1	64-140	0.8	12	254	255	231.5	128	STOCKED	6-1TT
1.5	76-165	1.1	18	276	277	265	145	STOCKED	6-1.5TT
2	76-165	1.1	22	294	302	278	152	STOCKED	6-2TT
3	76-203	1.4	30	344	344	338	186	STOCKED	6-3TT
5	88-203	1	55	360	378	393	219	STOCKED	6-5TT
10	125-203	1.3	93	403	455	490	275.5	STOCKED	6-10TT

## Clamp - Beam



- For use on 'I' Beams
- Standard: EN 13157
- Identification: Trademark, Size/WLL, Date, Serial No.
- Rated in Metric Ton(s)

WLL (t)	Adj. Beam Width (mm)	N.W. / (kg)	Dimensions (mm)										Price / ea.	Part Number
			A Max.	B Min.	B Max.	C	D	E	F Min.	F Max.	G	H		
1	75-220	4	260	180	360	64	5	215	102	155	25	22	STOCKED	6-1TBC
2	75-220	5	260	180	360	74	6	215	102	155	25	22	STOCKED	6-2TBC
3	80-320	9	354	235	490	103	8	260	140	225	45	24	STOCKED	6-3TBC
5	80-320	11	354	235	490	110	10	260	140	225	45	28	STOCKED	6-5TBC
10	90-320	15	365	320	505	120	12	280	170	235	50	40	STOCKED	6-10TBC



### WARNING

**OVERLOADING AND IMPROPER USE CAN RESULT IN INJURY!**

To avoid injury:

- DO NOT exceed working load limit, load rating or capacity
- DO NOT use to lift people, or loads over people
- Use only alloy chain and attachments for overhead lifting



**WARNING**

NEVER EXCEED PUBLISHED WORKING LOAD LIMIT



## Clamp - Plate, Vertical Lifting Clamp



- Universal eye for lifting in any direction
- Lock open, lock closed
- Able with latch handle for pretension on material and then release on material
- Standard: EN 13155
- Finish: Painted Blue
- Identification: Trademark, Size/WLL, Serial No., Date
- Rated in Metric Ton(s)

WLL (t)	Weight (kg)	Opening (mm)	Price / ea.	Part Number
0.8	2	0-15	STOCKED	6-0.8TPC
1.6	7.6	0-20	STOCKED	6-1.6TPC
3.2	16.2	0-25	STOCKED	6-3.2TPC
8	34	0-45	STOCKED	6-8.0TPC
12	47	0-54	STOCKED	6-12TPC

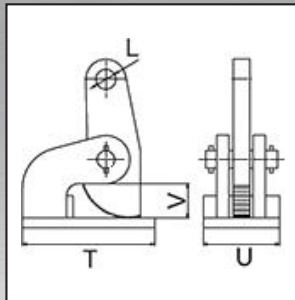
### Spare Parts

Size (t)	Spare Pivot & Bolt		Spare Jaw		Spare Jaw Pin		Lock Handle & Spring	
	Price / ea.	Part #	Price / ea.	Part #	Price / ea.	Part #	Price / ea.	Part #
0.8	STOCKED	6-VL08PB	STOCKED	6-VL08J	STOCKED	6-VL08JP	STOCKED	6-VL08HS
1.6	STOCKED	6-VL16PB	STOCKED	6-VL16J	STOCKED	6-VL16JP	STOCKED	6-VL16HS
3.2	STOCKED	6-VL32PB	STOCKED	6-VL32J	STOCKED	6-VL32JP	STOCKED	6-VL32HS
8	STOCKED	6-VL80PB	STOCKED	6-VL80J	STOCKED	6-VL80JP	STOCKED	6-VL80HS
12	STOCKED	6-VL120PB	STOCKED	6-VL120J	STOCKED	6-VL120JP	STOCKED	6-VL120HS



Size (t)	Spare Repair Kit	
	Price / ea.	Part #
0.8	STOCKED	6-0.8TPCRKIT
1.6	STOCKED	6-1.6TPCRKIT

## Clamp - Plate, Horizontal Lifting Clamp



- Intended to be used in pairs, sets of pairs, or in a tripod arrangement for transporting steel plate horizontally.
- For handling inherently stacked nundles of sheets and steel plates.
- Fastened to suitable slings and attached at three or more points on the load being handled.
- Larger jaw opening.
- With long load, we recommend using a spreader beam.
- Able with latch handle for pretension on material and then release on material
- Standard: EN 13155
- Rated in Metric Ton(s)
- Finish: Painted Blue
- Identification: Trademark, Size/WLL, Serial No., Date

WLL (t)	Weight (kg)	Opening (mm)	T (mm)	U (mm)	V (mm)	L (mm)	Price / ea.	Part Number
2	7.5	0 - 60	180	80	68	25	STOCKED	6-2THPC
3	10	0 - 60	220	90	80	30	STOCKED	6-3THPC
5	20	0 - 100	220	110	123	45	STOCKED	6-5THPC
10	28	0 - 100	220	125	120	45	STOCKED	6-10THPC

## Cable Sock - T-Type



- Double weave construction for medium to heavy pulling applications in underground installations.

Type	Line Capacity (mm)	WLL (kg)	Length of braid (mm)	Grip to end of loop (mm)	Price / ea.	Part Number
MG-10	7-12	300	330	85	STOCKED	6-MG10T
MG-15	13-18	400	330	85	STOCKED	6-MG15T

## Cable Sock - K-Type



- Double weave construction for medium to heavy pulling applications in underground installations.
- Comes with swivel head which is ideal for connecting to shackles.

Type	Line Capacity (mm)	WLL (kg)	Length of braid to grip (mm)	Grip to end of swivel (mm)	Price / ea.	Part Number
LS-6	19-35	1100	630	180	STOCKED	6-LSK
MS-6	25-50	2000	760	200	STOCKED	6-MSK
MXS-7	38-60	2000	950	210	STOCKED	6-MXSK
XS-8	50-75	2500	1020	240	STOCKED	6-XSK

## Rope Grab - Puller



- Recommended for fibre rope.

Size (in)	Max rope size (in)	Min rope size (in)	MBL (lb)	Weight / each (lb)	Price / ea.	Part Number
1/2 - 3/4	3/4	1/2	8000	4	STOCKED	6-1/2"-3/4"RP



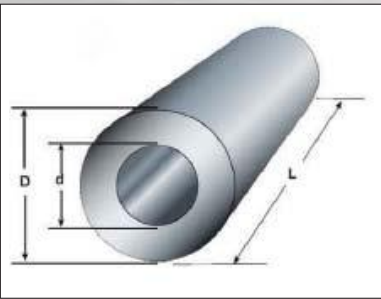
**WARNING**

NEVER EXCEED PUBLISHED WORKING LOAD LIMIT





## Fender - Cylindrical Fenders

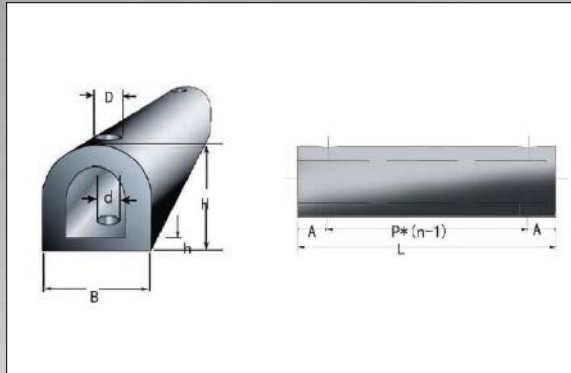


Specification	Dimensions (mm)		
	L	D	d
Y150	500-5500	150	75
Y200	500-5500	200	100
Y250	500-5500	250	125
Y300	500-5500	300	150
Y400	500-5500	400	200
Y500	500-5500	500	250
Y600	500-5500	600	300
Y700	500-5500	700	350
Y800	500-5500	800	400
Y900	500-5500	900	450
Y1000	500-5500	1000	500
Y1100	500-5500	1100	550
Y1200	500-5500	1200	600
Y1400	500-5500	1400	700
Y1600	500-5500	1600	800

- Applicable for ships of different sizes, easy installation.
- Low reaction forces.
- Little surface pressure.

Marine

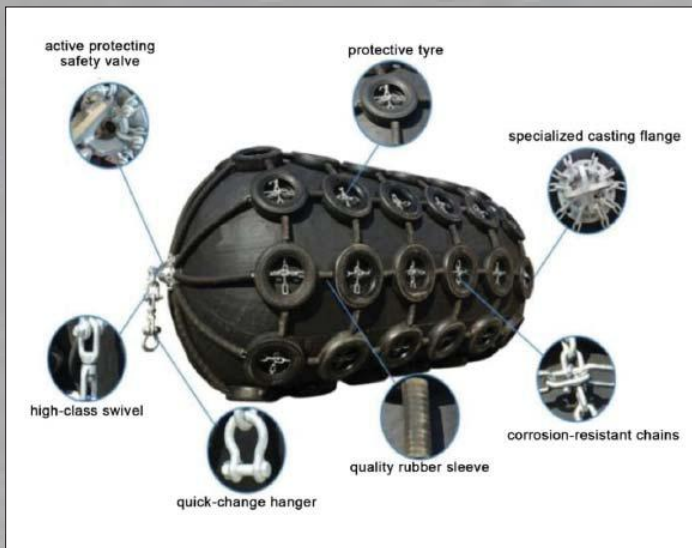
## Fender - Semi-Circular Fenders



Model	Dimensions (mm)								
	L	A	D	d	B	H	h	P	n (Fastening Points)
D200H	1000	200	55	28	200	200	30	600	3
D200H	1500	150	55	28	200	200	30	600	3
D200H	2000	250	55	28	200	200	30	500	4
D300H	900	150	65	32	300	300	40	600	2
D300H	1000	200	65	32	300	300	40	600	2
D300H	1500	150	65	32	300	300	40	600	3
D300H	2000	250	65	32	300	300	40	500	5
D300H	1000	200	65	32	360	300	40	600	2
D300H	1500	150	65	32	360	300	40	600	3
D400H	1500	150	65	32	400	400	55	400	4
D400H	2000	200	65	32	400	400	55	400	5
D500H	1000	150	55	28	500	500	60	350	3X2
D500H	1500	150	55	28	500	500	60	400	4X2
D500H	2000	200	55	28	500	500	60	400	5X2

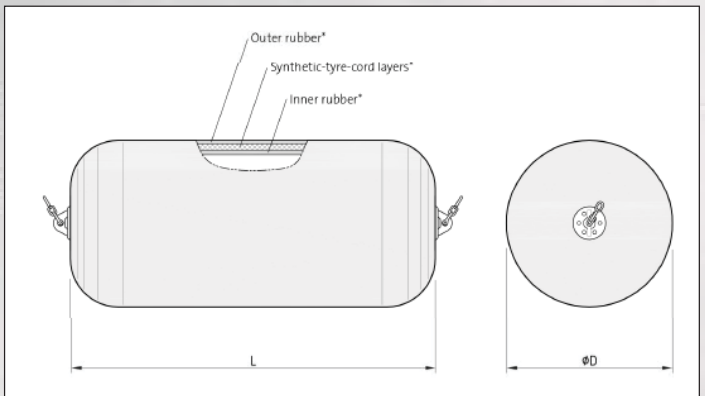
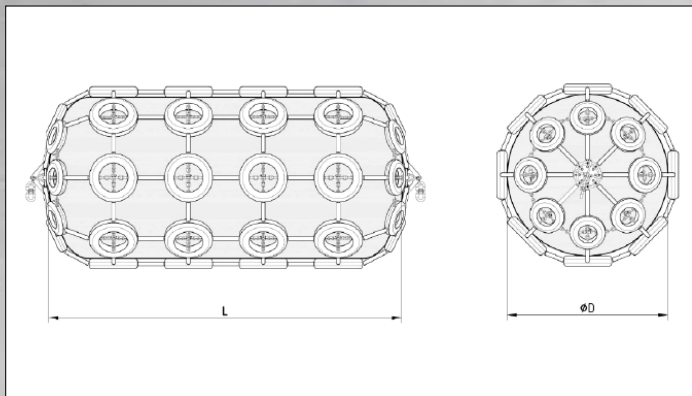
- Suitable reaction force and energy absorption, low weight and easy for installation and maintenance. Applicable for frame dock due to smaller bottom width.

## Fender - Pneumatic Fender



TEST REPORT WILL BE PROVIDED BEFORE DELIVERY FOR EACH ORDER

No.	Name	Specification	Model
1	Chain	EN1677	EN1677
2	Flange	Range 2202mm - 4000mm	
3	Hoop	EN10274 - EN10275	EN10274
4	U-bolts	EN10274	EN10274
5	Washer	EN10274	EN10274

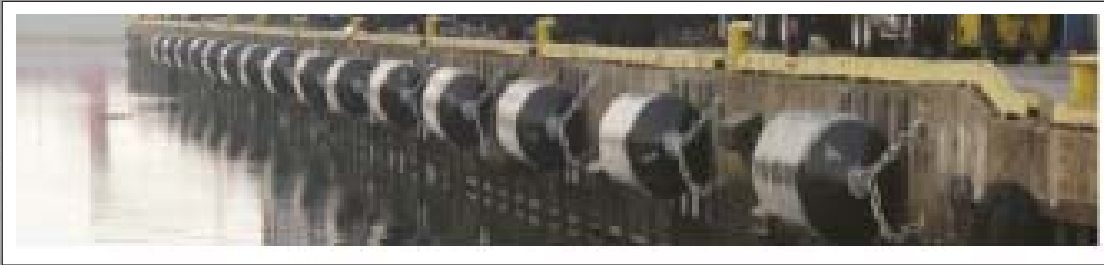


Fender Size D x L	Initial Pressure 0.5 kg/cm <sup>2</sup>			Initial Pressure 0.8 kg/cm <sup>2</sup>			Weight		
	Guaranteed energy absorption (GEA)	Reaction force at GEA deflection	Hull pressure at GEA deflection	Guaranteed energy absorption (GEA)	Reaction force at GEA deflection	Hull pressure at GEA deflection	Fender Body	Chain Net	Total
[mm]	[kJNm]	[kN]	[kN/m <sup>2</sup> ]	[kJNm]	[kN]	[kN/m <sup>2</sup> ]	[kg]	[kg]	[kg]
500 x 1,000	6	64	132	8	85	174	25	55	80
600 x 1,000	8	74	126	11	98	166	30	65	95
700 x 1,500	17	137	135	24	180	177	45	100	145
1,000 x 1,500	32	182	122	45	239	160	60	110	170
1,000 x 2,000	45	257	132	63	338	174	75	150	225
1,200 x 2,000	63	297	126	88	390	166	110	180	290
1,350 x 2,500	102	427	130	142	561	170	170	210	380
1,500 x 3,000	153	579	132	214	761	174	220	400	620
1,700 x 3,000	191	639	128	267	840	168	250	520	770
2,000 x 3,500	308	875	128	430	1,150	168	360	670	1,030
2,500 x 4,000	663	1,381	137	925	1,815	180	650	830	1,480
2,500 x 5,500	943	2,019	148	1,317	2,653	195	860	1,050	1,910
3,300 x 4,500	1,175	1,884	130	1,640	2,476	171	1,100	1,600	2,700
3,300 x 6,500	1,814	3,015	146	2,532	3,961	191	1,660	2,300	3,960
3,300 x 10,600	3,067	5,257	158	4,281	6,907	208	3,000	4,700	7,700
4,500 x 9,000	4,752	5,747	146	6,633	7,551	192	3,800	3,680	7,480
4,500 x 12,000	6,473	7,984	154	9,037	10,490	202	7,000	8,570	15,570

Marine



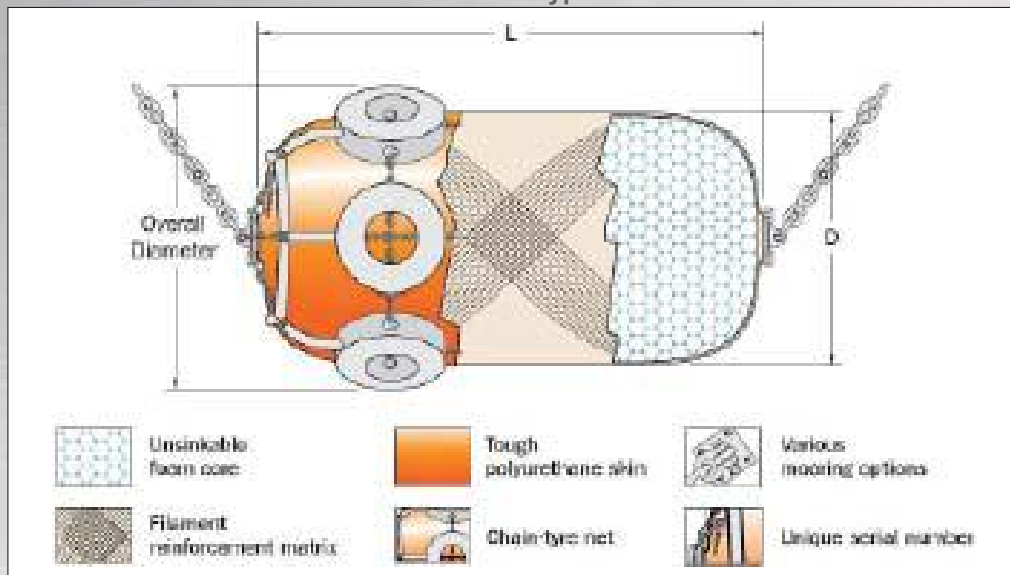
**Fender - Foam Filled Fender Type & Structure**



- Dock Protection Colorful Fender, also called EVA solid fender, is a new type fender using light weight high elasticity foam as cushion medium, widely applied to harbor, off-shore, STS and STD operation.
- Hanger Foam Filled Solid Fender is made of environmental protection material and high elasticity polyurethane material. long service life and high economic value of this product is achieved by the high quality material with performance of high strength, high elasticity, high

Marine

**Foam Filled Fender Type & Structure**

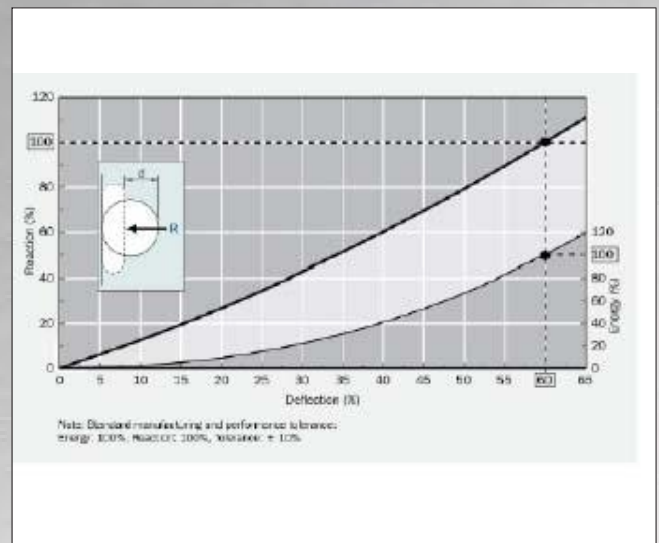
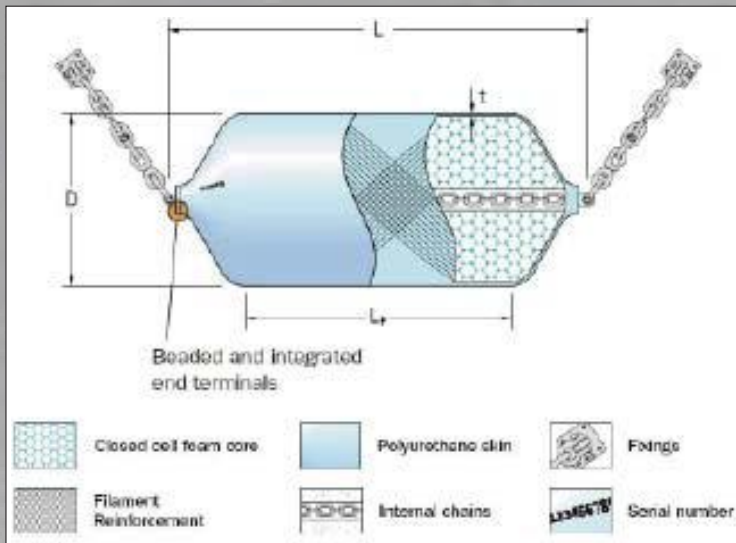


**Type I fender with tire-chain protective sleeve**





## Fender - Foam Filled Fender Type & Structure (continued)



Foam Fender Performance		
Size (mm) Diameter x Length	At 60% Deflection	
	Energy Absorption K•Nm	Force Reaction KN
500 x 1000	8	71
600 x 1000	12	86
700 x 1500	27	161
1000 x 1500	49	205
1000 x 2000	64	274
1200 x 2000	93	337
1200 x 2400	110	390
1350 x 2500	145	463
1500 x 3000	216	624
1700 x 3000	273	696
2000 x 3500	456	990
2000 x 4000	505	1110
2200 x 4500	697	1396
2500 x 4000	781	1386
2500 x 5000	985	1750
3000 x 5000	1410	2050
3000 x 6000	1695	2460
3300 x 6500	2245	2950
4500 x 9000	7660	19650



- Inside of Foam Filled Solid Fender is filled with environmental protection material-EVA with coating protective layer of polyurea material on outer surface. Polyurea is a new material of adjustable high-elasticity modulus. There are galvanized flange and swivel on the fender two ends. Like pneumatic rubber fender, tire-chain net protective jacket is also optional spare part to Dock Protection Colorful Fender for better anti-collision performance.



**FENDER AND BUOYANCY**

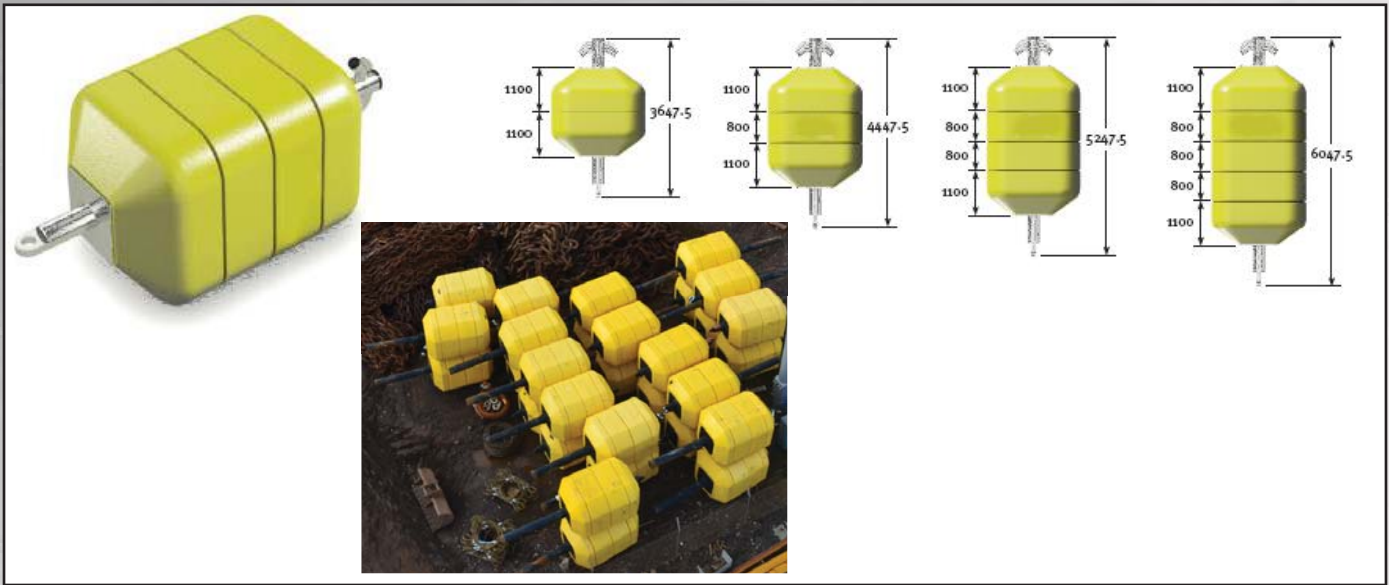


Anchor Pendant Buoyancy (APB)



Ancillary Buoyancy

Marine



Surface/Sub-Surface Modular Buoyancy



Dock Fenders





**FENDER FOAM IONOMER, GILMAN CORPORATION**



Gilman Ionomer fenders are made from continuous extruded sheets with thick walled closed cell material. This material has the unique ability to link ionically between neighboring molecular chains with the same bond as the polymer itself. The surface is tough yet smooth and flexible: solid ionomer plastic is the primary material used for the covers of golf balls and bowling pins. These fenders offer superior strength, energy absorption and compression resistance and unsurpassed functional integrity in an almost infinite variety of shapes and sizes from buoys to ski barriers.



**Benefits of Intergral Ionomer Foam Fendering**

1. More Energy Absorption in smaller sizes
2. Low-Hysteresis Reaction forces
3. Low weight/high Buoyancy
4. High – Density Skin
5. Unsurpassed Functional Integrity
6. Proven Effectiveness
7. Impervious to Fuels and chemicals / oil spills
8. Non – toxic / Fire Safety
9. Highly water repellent
10. Unaffected by Cold
11. No Dissimilar materials
12. Easy to repair
13. High Visibility
14. Non Marking / Nonabrasive
15. Damage Control
16. Fully Repairable
17. Design Flexibility



**Marine**





## FENDER FOAM IONOMER, BERTHING ENERGY AND REACTION FORCES



Marine



FENDER SIZE Diameter (ft) x Length (ft)	BERTHING ENERGY (ft-kips)	REACTION FORCE (kips)
2 x 3	15	35
2 x 4	20	45
2 x 6	30	70
2 x 8	40	90
3 x 6	70	105
3 x 8	90	140
3 x 10	115	175
3 x 12	140	210
3 x 14	160	245
4 x 8	165	185
4 x 10	205	235
4 x 12	250	280
4 x 14	290	325
4 x 16	330	375
4 x 20	415	465
5 x 10	325	290
5 x 12	390	350
5 x 14	450	410
5 x 16	515	465
5 x 18	580	545
5 x 20	645	585
6 x 12	560	420
6 x 14	650	490
6 x 16	745	560
6 x 18	835	630
6 x 20	930	700

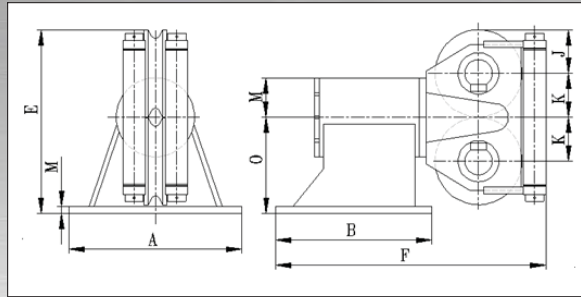
**Assumptions:**

- Fender size is expressed as diameter (in feet) by length overall (in feet)
- Rated berthing energy and reaction force are based on fender performance at 60% compression ratio
- Berthing energy and reaction force values for the 2 x 6 fender are based on testing performed in 1993. The berthing energy and reaction forces for the other fenders in this table were scaled from the nominal tested fender results using equations (11) and (12) from ASTM F2192-02





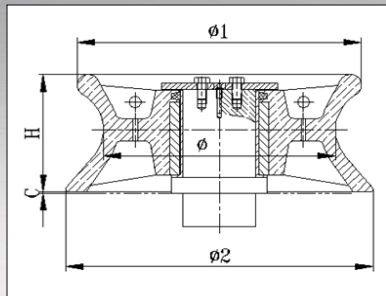
**Fairlead Roller - Anchor**



Wire Rope Dia. (mm)	Sheave Dia. (mm)	Dimensions (mm)									
		A	B	E	F	J	K	M	N	O	
25	254	356	356	530	680	127	129	20	114	275	
32	305	660	505	665	890	152	154	32	124	360	
38	406	760	760	867	1280	203	205	38	178	460	
44	508	1016	915	1070	1485	254	256	45	220	560	
52	610	1220	1068	1265	1792	305	307	48	265	650	
64	762	1420	1370	1565	2080	381	383	60	325	800	

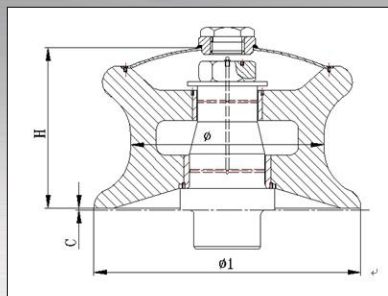
**Marine**

**Fairlead Roller - Type A**



Nominal Dia. (mm)	Dimensions (mm)				
	Φ	Φ1	Φ2	H	C
150	150	216	240	137	5
200	200	280	310	157	5
250	250	350	380	177	6
300	300	400	440	197	7
350	350	460	500	217	7
400	400	520	560	237	7
450	450	590	630	257	7
500	500	660	700	277	7

**Fairlead Roller - JIS F2014**



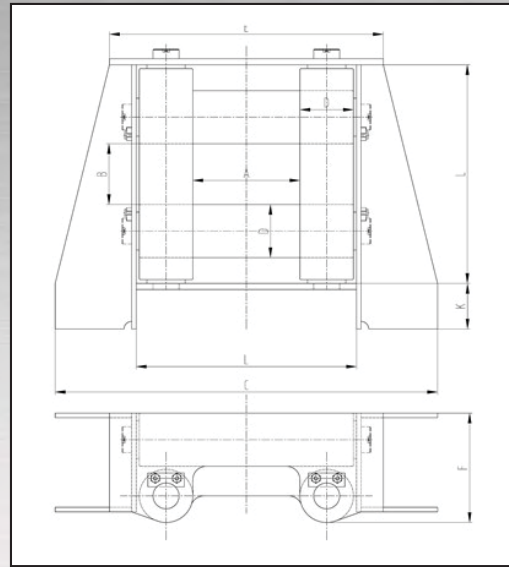
Nominal Dia. (mm)	Weight (kg)	Dimensions (mm)			
		Φ	Φ1	H	C
100	18	100	170	140	3
150	32.1	150	240	195	3
200	64.6	200	310	235	3
250	108	250	380	282	4
300	159	300	440	305	4
350	235	350	500	330	4
400	336	400	560	355	5





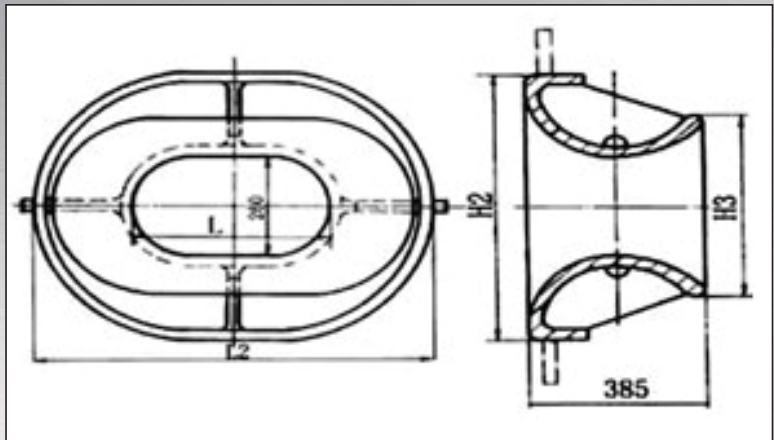
## Fairlead Roller - *Universal*

Marine



Type	Rope Dia. (mm)	Dimensions (mm)								Mass (kg)
		A	B	C	D	E	F	K	L	
FA4-12	12	180	100	650	80	446	170	80	356	75
FA4-16	16	230	130	800	100	546	210	100	446	130
FA4-20	20	250	130	900	120	626	250	120	506	220
FA4-24	24	280	160	1000	140	716	288	120	576	330
FA4-32	32	300	160	1200	180	836	366	140	676	580
FA4-40	40	320	180	1350	245	1030	500	180	830	1100
FA4-48	48	400	250	1700	300	1236	608	200	1016	2210

## Chock - *Bulwark Mounting, JIS F2017-BC*

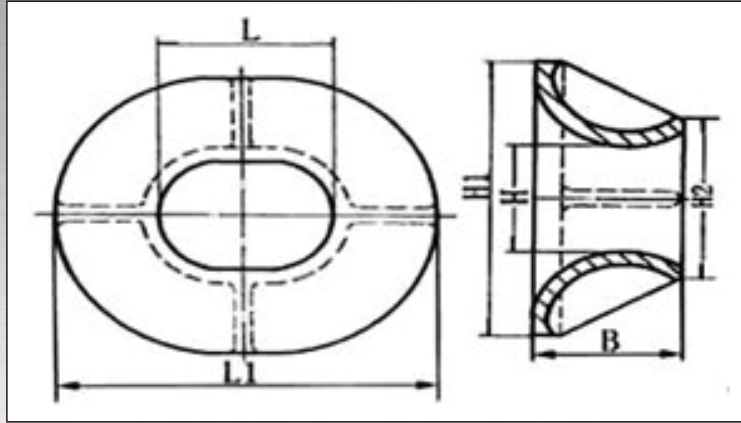


Nominal No.	Weight (kg)	Dimensions (mm)			
		L	L2	H2	H3
310	276	310	734	684	462
360	305	360	788	688	464
400	344	400	832	692	470
450	385	450	886	696	474
500	422	500	940	700	478





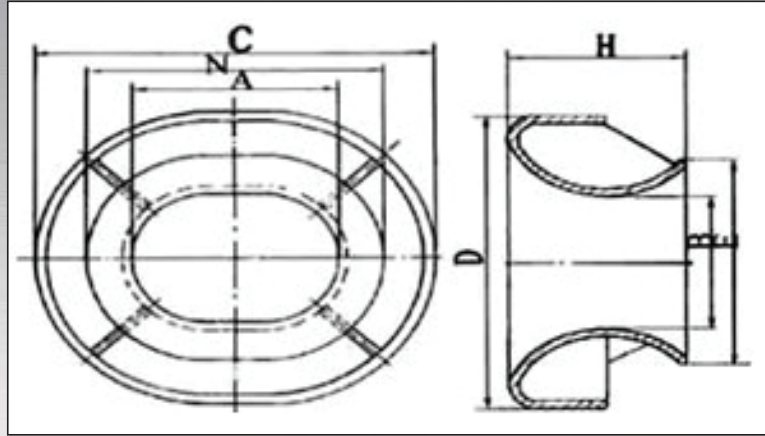
**Chock - Bulwark Mounting, JIS F2030-A**



Nominal No.	Dimensions (mm)					Weight (kg)
	L	L1	H	H1	B	
400	400	780	300	680	350	210
500	500	940	400	840	400	340
600	600	1100	450	950	450	490
700	700	1260	500	1060	500	600
800	800	1420	600	1220	550	880

Marine

**Chock - Bulwark Mounting, Bow, Type EU**



Nominal No.	Dimensions (mm)							Weight (kg)
	A	B	C	D	E	H	N	
315 x 250	315	250	695	630	432	342	497	198
425 x 280	425	280	925	780	516	450	661	358
600 x 315	600	315	1160	875	571	504	866	547
600 x 450	600	450	1160	1010	706	504	866	629
800 x 600	800	600	1360	1160	1060	504	1260	813

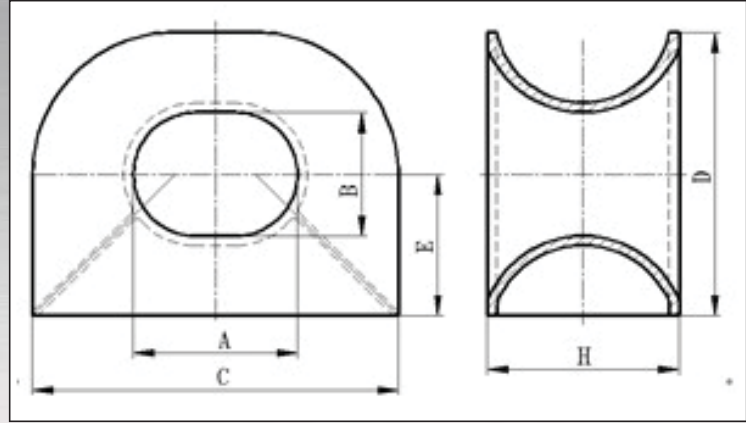


**WARNING**

NEVER EXCEED PUBLISHED WORKING LOAD LIMIT



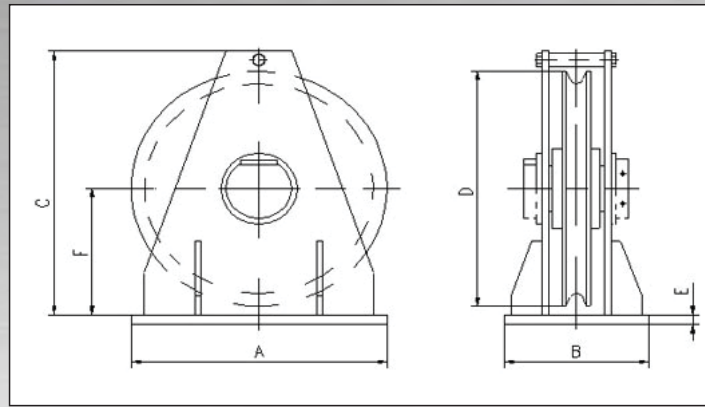
## Chock - Mounting, Type EU



Marine

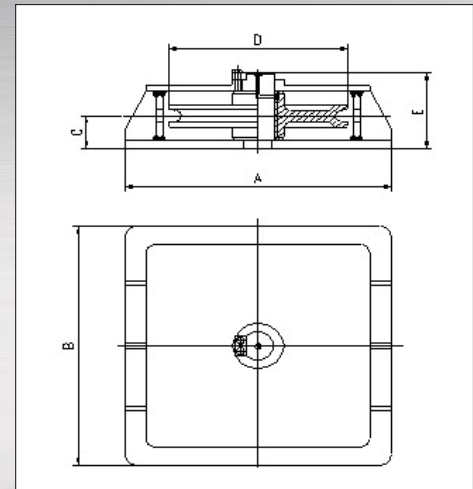
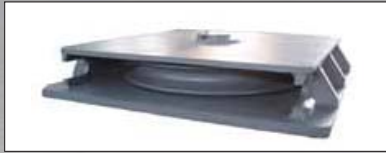
Nominal No.	Dimensions (mm)						Weight (kg)
	A	B	C	D	E	H	
315 x 250	315	250	815	620	365	380	230
425 x 280	425	280	1075	785	450	500	378
600 x 315	600	315	1360	865	507	560	598
600 x 450	600	450	1360	1000	575	560	655
600 x 450	600	450	1560	1200	675	760	780

## Sheave - Vertical Lead



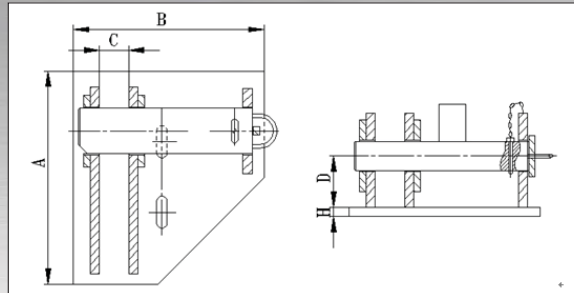
Wire Size		Sheave Dia. (mm)	Dimensions (mm)				
mm	in		D	A	B	C	E
25	1	406	485	276	520	20	220
32	1-1/4	508	603	345	610	25	275
38	1-1/2	600	711	407	700	30	330
44	1-3/4	660	782	448	770	30	390
52	2	762	903	517	900	40	410
58	2-1/4	830	870	580	980	40	440
64	2-1/2	914	1083	620	1070	40	490
76	3	1260	1320	700	1450	50	670
83	3-1/4	1330	1410	760	1560	50	720

## Sheave - Horizontal Lead



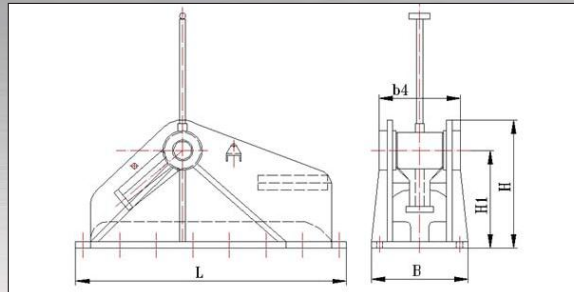
Wire Size		Sheave Dia. (mm)	Dimensions (mm)			
mm	in	D	A	B	C	E
25	1	406	635	635	90	190
32	1-1/4	508	787	787	102	210
38	1-1/2	610	914	914	110	230
44	1-3/4	660	1016	1016	120	250
52	2	762	1143	1143	130	270
58	2-1/4	850	1250	1250	140	280
64	2-1/2	914	1372	1372	150	310
76	3	1260	1580	1580	170	350
83	3-1/4	1330	1680	1680	190	390

## Bracket - Smit Bracket



Nominal No.	Weight (kg)	Dimensions (mm)				
		A	B	C	D	H
54-56	160	500	450	75	160	25
62-64	198	625	600	100	180	35
76-78	311	800	720	110	228	35

## Stopper - Chain Cable Stopper



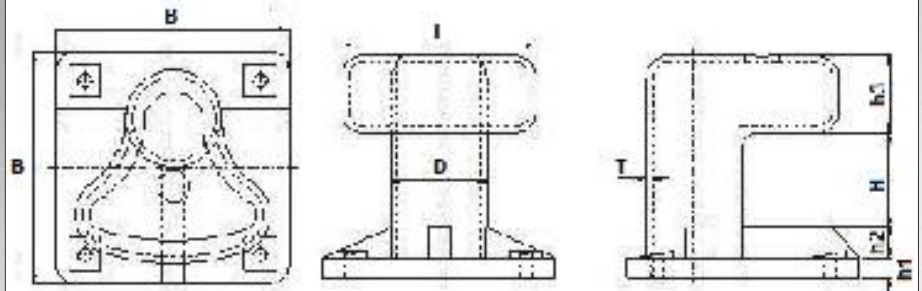
Nominal No.	Weight (kg)	Dimensions (mm)				
		L	B	H	H1	b4
54-56	488	1336	474	631	481	400
76-78	1421	1800	640	850	648	540

Marine



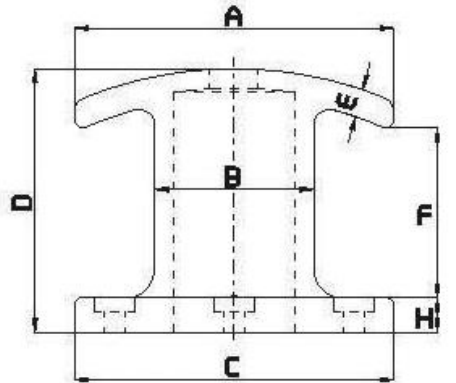


## Bollard - Curved Type A



Model No.	Bolts Qty.	Dimensions (mm)							
		D	H	T	L	B	h1	h2	h3
6T	4	150	170	20	300	360	30	60	120
10T	4	200	210	20	400	460	40	70	150
15T	4	250	250	20	500	600	50	80	200
25T	4	300	200	21	600	720	65	95	240
35T	4	300	280	25	600	810	65	95	240
50T	4	350	330	29	700	945	70	100	280
75T	4	400	370	33	800	1180	90	120	320
100T	4	450	410	39	900	1365	95	125	360

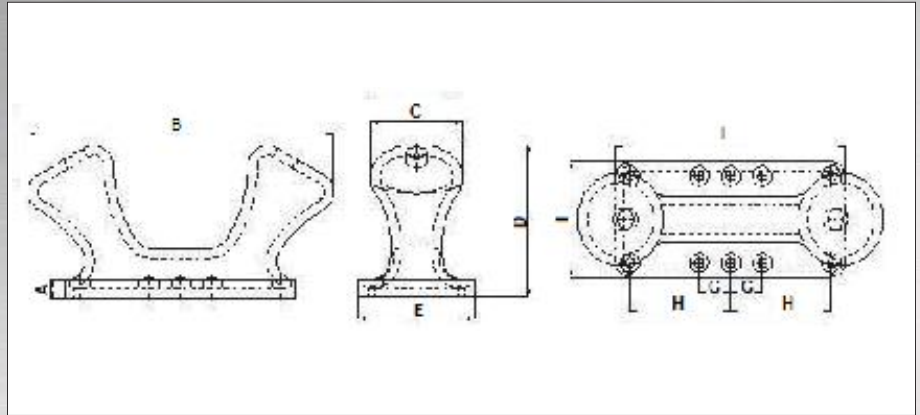
## Bollard - Dock Type J



Model No.	Bolts Qty.	SWA (t)	Dimensions (mm)							
			A	B	C	D	E	F	G	H
J-01	4	10	180	120	240	190	25	140	180	25
J-02	4	16	216	150	290	220	25	160	220	35
J-03	4	20	280	200	380	260	25	200	280	35
J-04	4	16	290	150	290	220	25	160	220	35
J-05	6	50	400	230	480	380	40	244	340	60

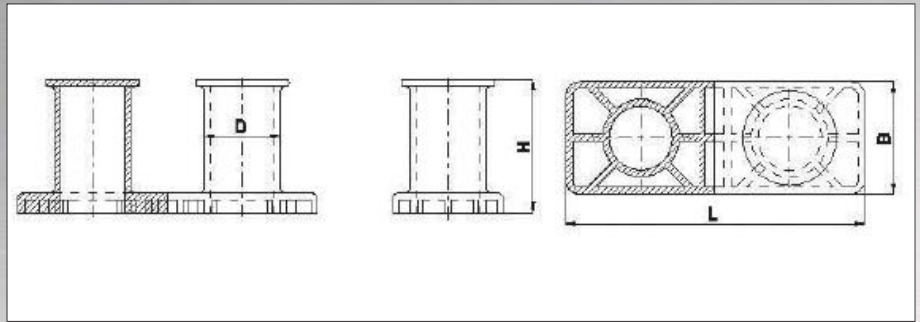
Marine

## Bollard - Double Bitt LXY-B09



Model No.	Dimensions (mm)									Bolt Size	Bolt Length	Qty.
	A	B	C	D	E	F	G	H	I			
20T	38	678	204	204	267	533	70	222	191	M20	300	8
30T	46	781	235	389	302	604	81	258	221	M22	300	8
50T	56	942	285	469	356	711	98	311	267	M30	450	8
75T	62	1144	346	670	432	884	189	378	324	M36	450	10
100T	75	1346	407	670	508	1016	222	444	381	M42	600	10
125T	80	1548	468	771	508	1168	256	512	438	M42	600	10
150T	91	1683	509	838	635	1270	278	556	476	M48	750	10
200T	96	1886	570	936	702	1422	311	622	533	M56	915	10

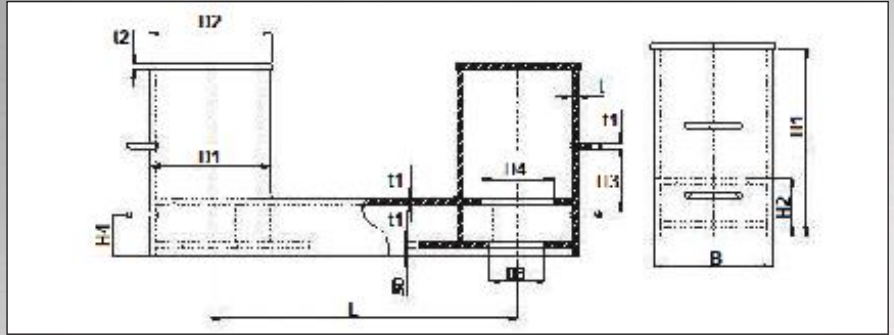
## Bollard - Double Bitt LXY-B10



Model No.	Weight (kg)	Dimensions (mm)			
		D	L	B	H
100	19	114	445	165	196
125	29	140	540	195	246
160	45	168	670	225	316
200	80	219	860	290	378
250	141	273	1065	360	470
315	264	325	1300	430	597
355	369	351	1476	480	663
400	499	402	1630	550	749
450	680	450	1840	620	841
500	911	508	1040	690	926
560	1208	560	2240	750	1026
630	1601	610	2510	820	1152
710	2252	712	2840	960	1294
800	3071	813	3240	1100	1480



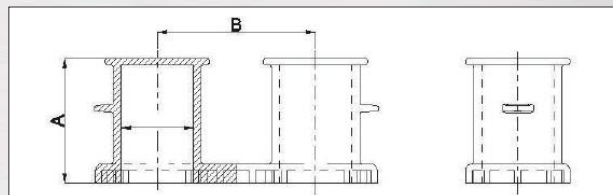
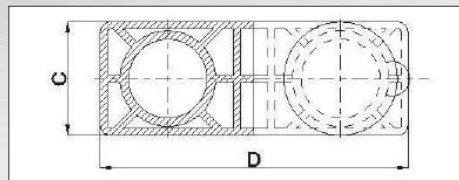
## Bollard - Double Bit Deck Mount LXY-B011



Model No.	Dimensions (mm)									SWL (t)	Weight (kg)
	D1	D2	D3	D4	H1	H2	B	L	E		
150	166.2	185	-	80	330	90	155	400	-	5T	29
200	226.3	240	-	130	395	115	205	600	-	6.7T	46
250A	257.4	290	-	160	505	135	250	630	-	14T	107
250B	257.4	290	-	160	505	135	250	630	-	11T	91
300A	328.5	340	150	185	600	150	290	600	300	31T	281
300B	328.5	340	150	185	600	150	290	600	300	16T	166
350A	355.8	380	170	200	685	175	340	890	350	43T	431
350B	355.8	380	170	200	685	175	340	890	350	22T	241
400A	406.4	430	190	230	730	185	380	1000	380	53T	570
400B	406.4	430	190	230	730	185	380	1000	380	27T	322
450A	457.2	480	210	265	770	195	425	1100	410	62T	712
450B	457.2	480	210	265	770	195	425	1100	410	30T	379
500A	508	530	235	295	830	230	480	1250	460	77T	880
500B	508	530	235	320	830	230	480	1250	460	33T	485
550A	558.8	680	255	330	900	270	520	1380	540	83T	1123
550B	558.8	680	255	350	900	270	520	1380	540	55T	787
600	609.4	830	280	365	950	300	560	1660	600	87T	1391

## Bollard - Deck Mount LXY-B012

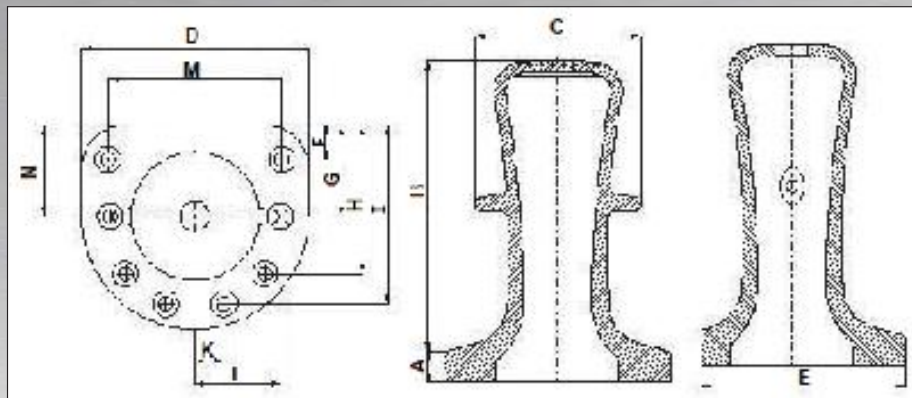
Model No.	Dimensions (mm)				Weight (kg)
	A	B	C	D	
19.8	196	250	165	445	100
29.4	248	315	195	640	125
44.7	316	400	225	670	160
79.5	378	500	290	860	200
139	470	630	360	1065	250
261	597	800	430	1300	315
362	663	890	480	1476	355
602	740	1000	550	1630	400
685	841	1130	620	1840	450
911	928	1250	690	2040	500
1208	1025	1380	750	2240	560
1601	1152	1670	820	2510	630
2252	1294	1750	900	2840	710
3071	1480	2000	1100	3240	800







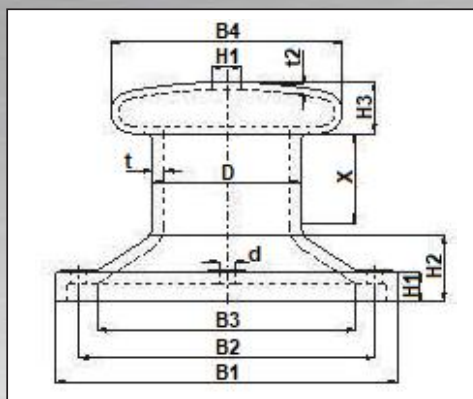
## Bollard - Single Bitt



Model No.	Dimensions (mm)														Bolt Size	Bolt Length	Qty.
	A	B	C	D	E	F	G	H	I	J	K	L	M	N			
10T	44	390	224	325	284	46	-	-	205	83	-	-	234	122	M24	450	4
15T	44	429	246	358	313	50	-	-	225	91	-	-	257	184	M24	450	4
20T	54	454	263	358	322	54	-	201	281	0	124	-	275	149	M24	450	5
30T	60	540	307	419	377	63	-	236	328	0	140	-	321	189	M30	450	5
50T	70	696	391	533	480	80	-	256	394	96	200	-	409	213	M36	600	6
75T	82	829	475	648	583	97	-	311	476	117	249	-	497	259	M42	600	6
100T	89	925	559	762	688	114	330	522	607	0	195	291	584	305	M46	760	7
125T	92	1067	604	823	741	123	357	564	645	0	211	314	631	329	M48	760	7
150T	96	1153	659	899	809	135	390	616	704	0	231	343	689	360	M68	915	7
200T	111	1270	726	991	892	149	396	814	755	124	311	380	769	396	M68	915	8

Marine

## Bollard - Single-Bite Type JIS



Model No.	Size (mm)												Kgs
	D	X	t	B4	H3	t2	H1	H2	B3	B1	B2	d	
15T	250	290	20	400	87	25	45	100	430	600	500	43	130
25T	300	290	20	460	106	15	50	130	510	725	600	55	220
35T	300	290	25	480	106	16	60	130	510	725	600	55	230
50T	350	330	27	550	122	16	70	160	600	810	700	66	350
70T	400	380	30	610	140	23	80	190	680	900	800	74	530
100T	450	410	35	720	157	25	90	270	680	1180	1000	74	893
150T	630	510	40	880	192	29	100	340	1010	1440	1220	91	1450
200T	750	550	43	1030	227	39	110	410	1240	1700	1440	101	2230

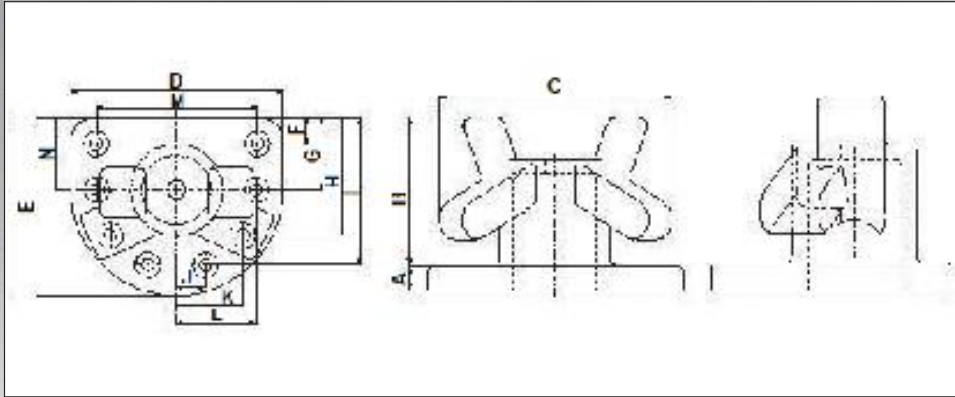


**WARNING**

NEVER EXCEED PUBLISHED WORKING LOAD LIMIT



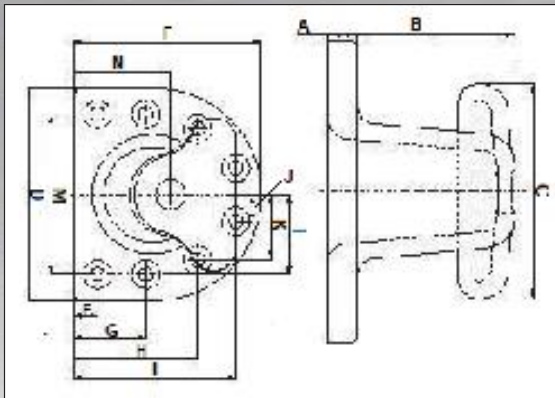
## Bollard - Type Stag Horn



Model No.	Dimensions (mm)														Bolt Size	Bolt Length	Qty.
	A	B	C	D	E	F	G	H	I	J	K	L	M	N			
10T	41	291	348	381	330	44	-	-	243	103	-	-	291	140	M24	450	4
15T	45	320	394	419	363	49	-	-	287	114	-	-	320	154	M24	450	4
20T	49	349	430	442	391	49	-	234	335	0	159	-	349	160	M24	450	6
30T	66	392	483	497	429	51	-	263	377	0	179	-	393	180	M30	450	5
50T	69	419	616	530	457	55	-	281	402	0	191	-	419	192	M36	600	5
75T	71	469	627	645	556	67	-	287	459	120	250	-	509	233	M42	600	6
100T	81	559	717	737	636	76	292	484	559	0	195	291	532	267	M42	600	7
125T	90	616	788	810	690	84	321	532	615	0	215	320	640	293	M48	750	7
150T	99	671	880	884	762	91	351	541	671	0	235	349	698	320	M48	750	7
200T	102	699	896	921	794	95	333	543	679	119	299	365	727	333	M56	915	8

Marine

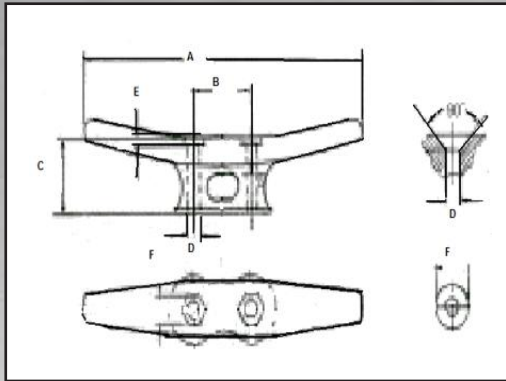
## Bollard - T-Head



Model No.	Dimensions (mm)														Bolt Size	Bolt Length	Qty.
	A	B	C	D	E	F	G	H	I	J	K	L	M	N			
MT10	47	199	305	381	330	44	-	-	243	103	-	-	292	169	M24	460	4
MT15	52	219	335	419	363	49	-	-	307	114	-	-	321	208	M24	460	4
MT20	54	240	351	435	380	51	-	232	329	0	152	-	336	217	M24	460	5
MT30	57	250	366	457	396	53	-	242	343	0	159	-	351	225	M30	460	5
MT60	70	308	451	564	489	65	-	266	423	0	196	-	432	279	M36	600	5
MT75	80	354	518	648	561	76	-	298	463	105	241	-	497	321	M42	600	6
MT100	80	419	610	762	660	89	305	406	572	0	195	291	584	377	M42	600	7
MT125	87	458	671	838	726	98	335	546	629	0	215	320	643	415	M48	750	7
MT150	87	492	719	899	779	105	360	566	674	0	231	343	689	445	M48	750	7
MT200	97	521	762	952	826	111	349	559	684	119	299	365	730	472	M56	915	8



**Cleat - Dock, Heavy Duty**



- Material: Steel
- Standard: ASTM F1074
- Finish: Galvanized, Painted
- Identification: Size

Size (in)	Dimensions (in)						Weight (lb)	Bolt	Price / ea.	Part Number
	A	B	C	D	E	F				
5	5.00	1.08	1.05	0.26	0.09	0.43	0.33	#12	STOCKED	6-5CLHH
6	5.88	1.25	1.09	0.31	0.19	0.45	0.38	1/4	STOCKED	6-6CLHH
8	8.00	1.63	1.56	0.38	0.25	0.52	1.00	5/16	STOCKED	6-8CLHH
10	10.25	2.38	1.93	0.44	0.28	0.58	2.00	3/8	STOCKED	6-10CLHH
12	12.25	3.83	2.38	0.44	0.28	0.58	3.60	3/8	STOCKED	6-12CLHH
14	14.31	4.25	2.63	0.57	0.36	0.77	5.88	1/2	STOCKED	6-14CLHH
18	18.00	5.38	3.50	0.69	0.47	0.97	11.00	5/8	STOCKED	6-18CLHH
20	18.50	7.00	3.50	1.00	0.75	2.25	29.00	3/4	STOCKED	6-20CLHH
24 (primer only) B1 Style`	24.00	6.00	6.87	1.12	2.5	4	91.00	7/8	STOCKED	6-24"CLHHB1
24 (primer only) B2 Style`	24.00	5.50	8.00	1.12	2.5	4	95.00	7/8	STOCKED	6-24"CLHHB2

**Marine**



18" Galvanized Cleat



20" Galvanized Cleat



24" B1 Style



24" B2 Style





## Cleat



- Material/Finish: 316 Stainless Steel
- Standard: ASTM F1074

Size (in)	Price / ea.	Part Number
5	STOCKED	6-5"CLSS
6	STOCKED	6-6"CLSS
8	STOCKED	6-8"CLSS
12	STOCKED	6-12"CLSS

## Cleat - Low Silhouette



- Material/Finish: 316 Stainless Steel
- Standard: ASTM F1074

Size (in)	Price / ea.	Part Number
6	STOCKED	6-6"CLLSSS

## Cleat - Bow



- Material/Finish: 316 Stainless Steel
- Standard: ASTM F1074

Type	Size (in)	Price / 2 pcs.	Part Number
Port & Starboard	4 1/2	STOCKED	6-4-1/2"CBSS
Port & Starboard	6	STOCKED	6-6"CBSS

## Plate - Diamond

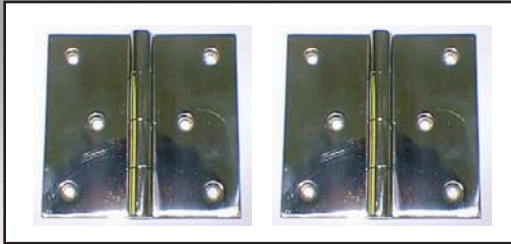


- Material/Finish: 316 Stainless Steel
- Standard: ASTM F1074

Size (in)	Price / ea.	Part Number
3 1/4	STOCKED	6-3-1/4"SSDP
4	STOCKED	6-4"SSDP



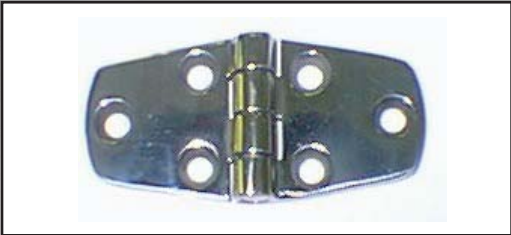
## Hinge - Butt, Heavy Duty



• Material/Finish: 316 Stainless Steel

Size (in)		Price / ea.	Part Number
Length	Width		
1 1/2	1 1/2	STOCKED	6-1-1/2" BHSS
2	2	STOCKED	6-2" BHSS
3	3	STOCKED	6-3" BHSS
4	4	STOCKED	6-4" BHSS

## Hinge - Door, Heavy Duty



• Material/Finish: 316 Stainless Steel

Size (in)		Price / ea.	Part Number
Length	Width		
1 1/2	3	STOCKED	6-3" DH316
1 1/2	4	STOCKED	6-4" DH316

## Hinge - Strap



• Material/Finish: 304 Stainless Steel

Size (in)		Price / ea.	Part Number
Length	Width		
3 1/2	1 1/2	STOCKED	6-3-1/2" SH304
5	1 1/2	STOCKED	6-5" SH304
8	2	STOCKED	6-8" SH304

## Clip - Inglefield, Flag Clips



Price / ea.	Part Number
STOCKED	98-FLAGCLIP

## Oar Lock



Finish	Description	Price / ea.	Part Number
Galvanized	# 2 oar lock	STOCKED	6-HDGOL
Galv. Socket	Gunwale	STOCKED	6-HDGGS
Galv. Socket	Side Mount	STOCKED	6-HDGSMS

Marine



## Thimble - Wire Tube

- Material: Steel
- Finish: Hot Dip Galvanized

Size (mm)	Wire Size Max. (mm)	Type	Weight (kg)	Dimensions (mm)					Price / ea.	Part Number
				A	B	C	D	E		
19	16	G219	0.60	19	125	32	5	12	STOCKED	6-TT19
35	32	G235	2.40	35	210	60	7	22	STOCKED	6-TT35



Marine

## Thimble - Wire Tube with Gusset

- Material: Steel
- Finish: Blue Painted

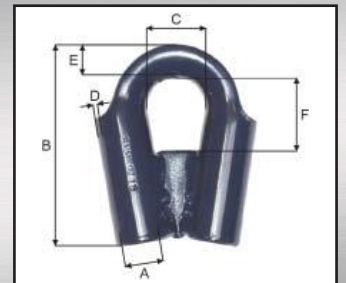
Size (mm)	Wire Size Max. (mm)	Type	Weight (kg)	Dimensions (mm)						Price / ea.	Part Number
				A	B	C	D	E	F		
28	24	G228	1.62	28	176	45	7	16	61	STOCKED	6-TT28G
35	32	G235	2.73	35	210	60	7	22	93	STOCKED	6-TT35G



## Thimble - Wire Tube with Gusset

- Material: Steel
- Finish: Blue Painted

Size (mm)	Wire Size Max. (mm)	Type	Weight (kg)	Dimensions (mm)						Price / ea.	Part Number
				A	B	C	D	E	F		
30	25	G730	2.02	30	170	47	7	18	68	STOCKED	6-TT30G



## Thimble - Wire Tube with Gusset

- Material: 304 SS
- Finish: Stainless Steel

Size (mm)	Wire Size Max. (mm)	Type	Weight (kg)	Dimensions (mm)						Price / ea.	Part Number
				A	B	C	D	E	F		
31	28	G831K	1.92	31	163	48	7	19	66	STOCKED	6-TTSS31G







**Knife - Bait**



Blade Length (in)	Handle Length (in)	Overall Length (in)	Price / ea.	Part Number
11.00	6.00	17.00	STOCKED	6-BAITKNIFE

**Knife - Scallop**



Blade Length (in)	Handle Length (in)	Overall Length (in)	Price / ea.	Part Number
4.50	3.50	8.00	STOCKED	6-SCKNIFE

**Bag - Bait**



- Offset Velcro Closure easy opening, stainless steel grommet, and tag on side to hang bag sideways.
- Made of high quality fine orange mesh to keep out sand flies and still allow the scent of the bait out.

Size (in)		Qty. / Box (pcs)	Price / ea.	Part Number
Length	Width			
10	8	400	STOCKED	6-BAITBAG

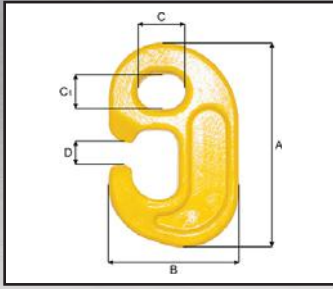
**Jar - Bait**



Jar Size (in)		Qty. / Box (pcs)	Price / ea.	Part Number
Height	Width			
4.25	4.25	200	STOCKED	6-BAITJAR



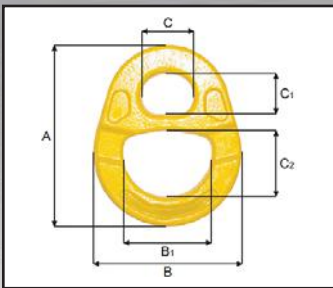
## Hook - G, High Tensile Steel, Grade 80



- Material: Grade 80, Alloy Steel
- Standard: EN 13001-3-5
- Finish: Painted Yellow
- Design Factor: 5:1
- Identification: Size/WLL
- Rated in Metric Ton(s)

Size Thickness (mm)	WLL (t)	Weight (kg)	Dimensions (mm)					Price / ea.	Part Number
			A	B	C	C1	D		
45	15.0	6.05	215	136	50	40	18	STOCKED	6-45GHF

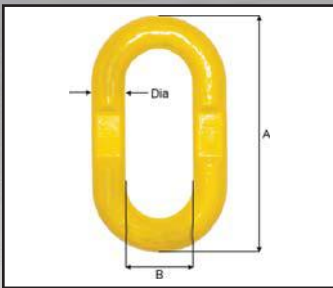
## Link - Kelly's Eye, High Tensile Steel, Grade 80



- Material: Grade 80, Alloy Steel
- Standard: EN 1677-4
- Finish: Painted Yellow
- Design Factor: 5:1
- Identification: Size/WLL
- Rated in Metric Ton(s)

Size Thickness (mm)	WLL (t)	Weight (kg)	Dimensions (mm)						Price / ea.	Part Number
			A	B	B1	C	C1	C2		
41	20.0	5.1	225	185	125	80	45	106	STOCKED	6-41KEHTS

## Link - Recessed Master Link, Grade 80



- Material: Grade 80, Alloy Steel
- Standard: EN 1677-4
- Finish: Painted Yellow
- Design Factor: 5:1
- Identification: Size/WLL
- Rated in Metric Ton(s)

Size Thickness (mm)	WLL (t)	Weight (kg)	Dimensions (mm)			Price / ea.	Part Number
			A	B	Dia.		
30	15.0	2.8	170	75	30	STOCKED	6-30DRL



## Hook - G, Alloy, Grade 80

- Material: Grade 80, Alloy Steel
- Standard: EN 13001-3-5, EN 1677-4
- Finish: Painted Yellow
- Design Factor: 5:1
- Identification: Size/WLL
- Rated in Metric Ton(s)



## Link - Recessed, Alloy, Grade 80

Size (in)	WLL (t)	Price / ea.	Part Number
Hook "G" Alloy Forged			
3/4	2	STOCKED	6-3/4"GHF
1	6	STOCKED	6-1"GHF
Double recessed links Alloy Forged			
3/4	2	STOCKED	6-3/4"DRL
1	6	STOCKED	6-1"DRL

Marine

## Toggle Chain



- 10mm Yellow Chains with 14mm X 90mm Ring
- Rock Hopper Gear.

Chain Dimensions (mm)		Overall Length		Price / ea.	Part Number
i.l.	i.w.	Chain (mm)	Chain & Ring (mm)		
56	17.5	876	965	STOCKED	6-10MM14RING

## Chain Stopper - Assembly



Assembly: (Includes: stopper & all pins)

Price / ea.	Part Number
STOCKED	6-CHAINSTOPPER

Spare Parts:

Price / ea.	Part Number
STOCKED	6-LOADPIN
STOCKED	6-ROLLPIN



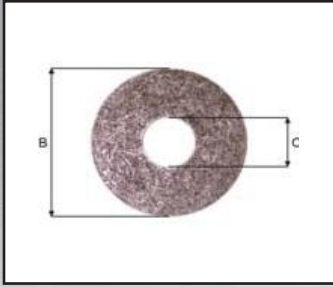
**WARNING**

NEVER EXCEED PUBLISHED WORKING LOAD LIMIT





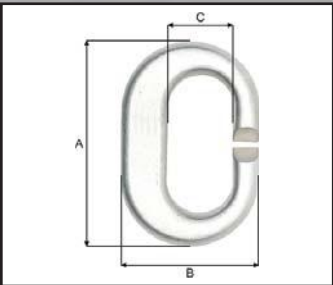
## Washer - Round Hole



Size Thickness (mm)	For Chain (mm)	Weight / 100 pcs (kg)	Dimensions (mm)		Price / ea.	Part Number
			B	C		
12	19	135.0	150	75.0	STOCKED	6-12RHW
20	19	398.0	200	75.0	STOCKED	6-20RHW

Marine

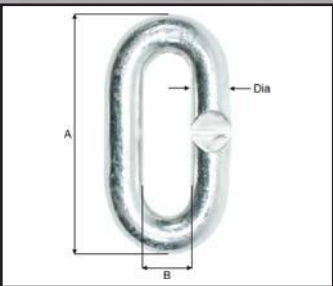
## Link - Split



- Material: 304 Stainless Steel
- Finish: Stainless Steel
- Design Factor: 5:1
- Identification: Size/WLL
- Rated in Metric Ton(s)

Size (mm)	WLL (t)	Weight (kg)	Dimensions (mm)			Price / ea.	Part Number
			A	B	C		
19	0.4	0.27	79	50	24	STOCKED	6-19SLSS

## Link - Split



- Material: 304 Stainless Steel
- Finish: Stainless Steel
- Design Factor: 5:1
- Rated in Metric Ton(s)

Size (in)	WLL (t)	Weight (kg)	Dimensions (mm)			Price / ea.	Part Number
			Dia.	A	B		
3/4	0.5	0.50	19	80	24	STOCKED	6-3/4SLSS



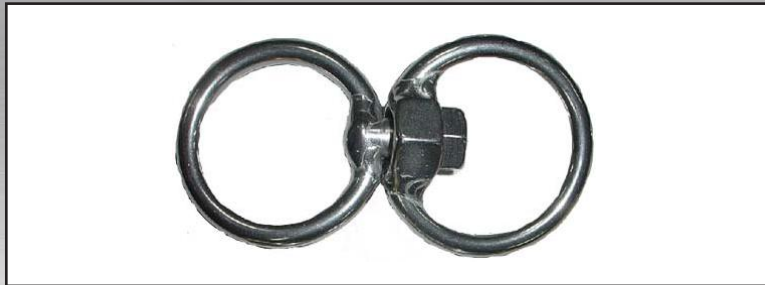
**Link - Split, Alloy, Lobster Link**



- Material: Alloy Mild Steel
- Finish: Galvanized

Size (in)	Qty. / Bag	Price / ea.	Part Number
3/8	300	STOCKED	6-10MMSL
1/2	200	STOCKED	6-13MMSL
5/8	60	STOCKED	6-16MMSL

**Swivel - Lobster**



- Material: 316 Stainless Steel
- Finish: Stainless Steel

Size	Price / ea.	Part Number
Small	STOCKED	6-SMSWIVEL
Large	STOCKED	6-LGSWIVEL

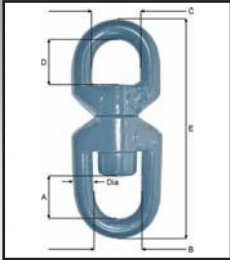
**Washer - Scallop, Black**



lb / Bag	Price / lb	Part Number
50	STOCKED	6-SWB



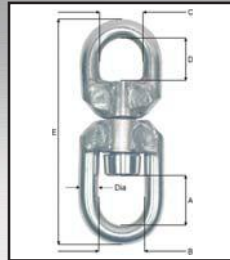
## Swivel - Eye & Eye



- Material: Steel
- Standard: RR-C-271-F
- Finish: Painted Blue
- Design Factor: 5:1
- Rated in Metric Ton(s)

Size (mm)	WLL (t)	Weight (kg)	Dimensions (mm)					Price / ea.	Part Number
			A	B	C	D	E		
32	12.5	7.2	60	57	55	50	305	STOCKED	6-32SWLEE

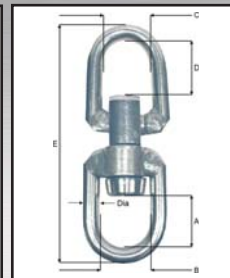
## Swivel - Eye & Eye



- Material: 304 SS
- Standard: RR-C-271-F
- Finish: Stainless Steel
- Design Factor: 5:1
- Identification: Size/WLL
- Rated in Metric Ton(s)

Size (mm)	WLL (t)	Weight (kg)	Dimensions (mm)					Price / ea.	Part Number
			A	B	C	D	E		
32	12.0	8.15	60	50	50	98	350	STOCKED	6-32SWEESS

## Swivel - Flex, Eye & Eye



- Material: 304 SS
- Standard: RR-C-271-F
- Finish: Stainless Steel
- Design Factor: 5:1
- Identification: Size/WLL
- Rated in Metric Ton(s)

Size (mm)	WLL (t)	Weight (kg)	Dimensions (mm)					Price / ea.	Part Number
			A	B	C	D	E		
32	12.0	9.2	66	55	54	93	360	STOCKED	6-32SWLFF
45	28.0	24.0	75	70	70	105	515	STOCKED	6-45SWLFF

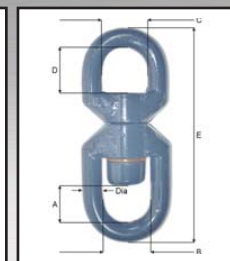
## Swivel - Flex, Eye & Eye



- "Non Load Rated"
- Material: Stainless Steel, 316
- Finish: Stainless Steel

Size (in)	Price / ea.	Part Number
1	STOCKED	6-1"SWLFF

## Swivel - Eye & Eye, Hardened Wearing Ring



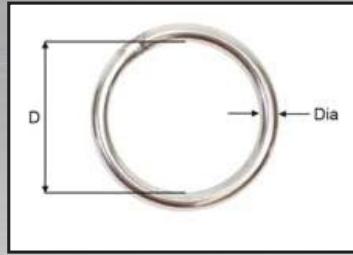
- Material: Steel
- Standard: RR-C-271-F
- Finish: Painted Blue
- Design Factor: 5:1
- Rated in Metric Ton(s)

Size (mm)	WLL (t)	Weight (kg)	Dimensions (mm)					Price / ea.	Part Number
			A	B	C	D	E		
32	12.5	7.6	60	57	55	50	305	STOCKED	6-32SWLEEHR

Marine



## Ring - Round, Metric & Imperial



- Finish: Stainless Steel
- Material: 304 Stainless Steel

### Metric:

Size (mm)	Dia. (mm)	i.d. [D] (mm)	Price / ea.	Part Number
6 x 30	6	30	STOCKED	6-6X30SSRR
12 x 90	12	90	STOCKED	6-12X90SSRR

### Imperial:

Size (in)	Dia. (in)	i.d. [D] (in)	Price / ea.	Part Number
1/4 x 2	1/4	2	STOCKED	6-1/4X2SSRR
5/16 x 2	5/16	2	STOCKED	6-5/16X2SSRR
3/8 x 2 1/2	3/8	2-1/2	STOCKED	6-3/8X21/2SSRR
1/2 x 3	1/2	3	STOCKED	6-1/2X3SSRR

## Stenhouse Slip



- Material: Steel
- Finish: Hot Dip Galvanized

Size Dia. (in)	I.D. of Ring (in)	Inside Length Arm (in)	Price / ea.	Part Number
1/2	3 1/2	4 1/2	STOCKED	6-12MMGSS
5/8	3 1/2	4	STOCKED	6-16MMGSS
3/4	4 1/4	5 1/2	STOCKED	6-20MMGSS

## Mallet - Ice, UHMW

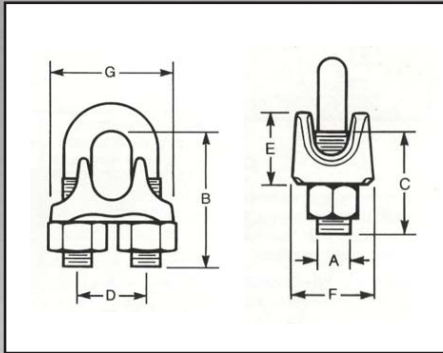


Material: UHMW (Ultra-high-molecular-weight polyethylene)

Length (in)	Head Size (in)	Price / ea.	Part Number
36	4 x 8	STOCKED	12-RJS4X8



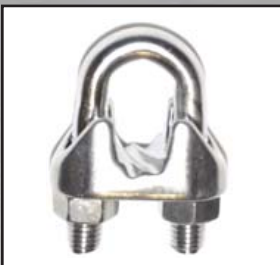
## Clip - Wire Rope, Malleable



- To be used for light Duty, **NON CRITICAL** applications only.
- Typical uses include: guard line and fencing.
- Material: Malleable Steel
- Standard: FF-C-450, Type 1 Class 2.
- Finish: Electro-Galvanized
- Identification: Size

Rope Size (in)	Weight / 100 pcs. (lb)	Dimensions (in)							Price / ea.	Part Number
		A	B	C	D	E	F	G		
1/8	4	0.18	0.81	0.50	0.50	0.50	0.56	0.94	STOCKED	6-1/8"MC
3/16	6.3	0.25	0.94	0.56	0.56	0.56	0.63	1.06	STOCKED	6-3/16"MC
1/4	13	0.31	1.19	0.75	0.75	0.69	0.75	1.31	STOCKED	6-1/4"MC
5/16	15	0.31	1.31	0.84	0.75	0.75	0.75	1.44	STOCKED	6-5/16"MC
3/8	21	0.38	1.63	1.00	0.88	0.84	0.88	1.63	STOCKED	6-3/8"MC
1/2	37	0.44	2.00	1.19	1.06	1.00	1.06	1.88	STOCKED	6-1/2"MC
5/8	59	0.50	2.31	1.38	1.25	1.25	1.28	2.09	STOCKED	6-5/8"MC
3/4	84	0.56	2.56	1.56	1.31	1.44	1.56	2.38	STOCKED	6-3/4"MC
7/8	125	0.63	3.06	1.81	1.63	1.75	1.81	2.88	STOCKED	6-7/8"MC
1	166	0.63	3.44	2.00	1.88	2.06	2.00	3.00	STOCKED	6-1"MC

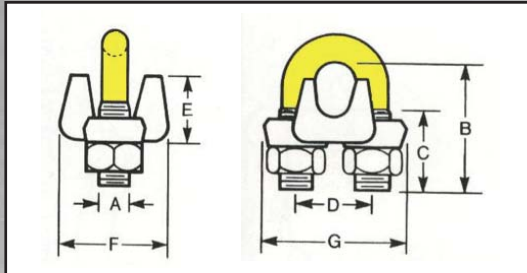
## Clip - Wire Rope, Stainless



- Material: 304 Stainless Steel
- Standard: FF-C-450
- Finish: Stainless Steel
- Identification: Size

Size (in)	Price / ea.	Part Number
1/8	STOCKED	6-1/8"304SS
3/16	STOCKED	6-3/16"304SS
1/4	STOCKED	6-1/4"304SS
5/16	STOCKED	6-5/16"304SS
3/8	STOCKED	6-3/8"304SS
1/2	STOCKED	6-1/2"304SS
5/8	STOCKED	6-5/8"304SS

## Clip - Wire Rope, Forged



• ® Trademark - Yellow U-Bolt Wire Rope Clip - Registration - ® TMA 796,698

- Only genuine 'OCEAN' clips have yellow U-Bolt for instant recognition.
- Material: Forged Steel
- Standard: EN 13411-5, FF-C-450: Type 1 Class 1, ASME B30.26
- Finish: Clip: Galvanized, U-Bolt: Powder Coated Yellow.
- Identification: Trademark, Size/WLL, Batch Code
- \*Note: "Min #" - Minimum number of clips needed for a turnback eye.

Rope Size (in)	Weight / 100 pcs. (lb)	Dimensions (in)						Use			Qty. / Box	Price / ea.	Part Number
		A	B	D	E	F	G	*Min #	Torque (lbf * ft)	Min. rope turn back (in)			
1/8	6	0.22	0.72	0.47	0.41	0.81	0.94	2	4.5	3 1/4	1000	STOCKED	6-1/8"FC
3/16	10	0.25	0.97	0.59	0.50	0.94	1.16	2	4.5	3 3/4	500	STOCKED	6-3/16"FC
1/4	20	0.31	1.03	0.75	0.66	1.19	1.44	2	15	4 3/4	250	STOCKED	6-1/4"FC
5/16	30	0.38	1.38	0.88	0.72	1.31	1.69	2	30	5 1/4	200	STOCKED	6-5/16"FC
3/8	47	0.44	1.50	1.00	0.91	1.63	1.94	2	45	6 1/2	100	STOCKED	6-3/8"FC
1/2	80	0.50	1.88	1.19	1.13	1.91	2.28	3	65	11 1/2	75	STOCKED	6-1/2"FC
9/16	104	0.56	2.25	1.31	1.22	2.06	2.50	3	95	12	50	STOCKED	6-9/16"FC
5/8	106	0.56	2.38	1.31	1.34	2.06	2.50	3	95	12	50	STOCKED	6-5/8"FC
3/4	150	0.62	2.75	1.50	1.41	2.25	2.84	4	130	18	35	STOCKED	6-3/4"FC
7/8	212	0.75	3.12	1.75	1.59	2.44	3.16	4	225	19	25	STOCKED	6-7/8"FC
1	260	0.75	3.50	1.88	1.78	2.63	3.47	5	225	26	20	STOCKED	6-1"FC
1 1/8	290	0.75	3.88	2.00	1.91	2.81	3.59	6	225	34	15	STOCKED	6-1-1/8"FC
1 1/4	430	0.88	4.25	2.31	2.19	3.13	4.13	7	360	44	12	STOCKED	6-1-1/4"FC
1 1/2	540	0.88	4.94	2.59	2.44	3.41	4.44	8	360	54	9	STOCKED	6-1-1/2"FC
1 3/4	925	1.13	5.75	3.06	2.94	3.81	5.28	8	590	61	6	STOCKED	6-1-3/4"FC
2	1300	1.25	6.44	3.38	3.28	4.44	5.88	8	750	71	4	STOCKED	6-2"FC
2 1/4	1540	1.25	7.13	3.86	3.19	4.49	6.38	8	750	73	3	Pricing on Request	116-2-1/4"FC
2 1/2	1980	1.25	7.68	4.13	3.70	4.06	6.67	9	750	84	Bulk		116-2-1/2"FC
2 3/4	2200	1.25	8.31	4.37	4.88	5.00	6.89	10	750	100	Bulk		116-2-3/4"FC
3	3080	1.50	9.77	4.76	4.69	5.87	7.64	10	1200	106	Bulk		116-3"FC
3 1/2	3960	1.50	10.75	5.51	5.98	6.18	8.39	12	1200	149	Bulk		116-3-1/2"FC

**WARNING** SEE WARNING AND APPLICATION INFORMATION FOR WIRE ROPE CLIPS - NEXT PAGE

**WARNING**  
NEVER EXCEED PUBLISHED WORKING LOAD LIMIT





**CLIPS WIRE ROPE 'OCEAN' - WARNINGS AND APPLICATION INSTRUCTIONS**



Efficiency ratings for wire rope end terminations are based on the catalog strength of standard EIPS wire rope. The efficiency rating of a properly prepared loop or thimble eye termination for clip sizes 1/8" through 7/8" is 80%, and for 1" through 3-1/2" is 90%.

Based on RRL or RLL wire rope class 6x19 or 6x37, FC or IWRC, EEIPS. If Seale construction or similar large outer wire type construction in the 6x19 class is to be used add one extra clip. If a pulley or sheave is to be used, add one extra clip.

For elevator, personal hoist, and scaffold applications refer to ANSI A17.1 and ANSI A10.4. These standards do not recommend U-Bolt wire rope terminations.

Turn back specified amount of rope from thimble or loop. Apply first clip one base width from dead end of rope, live end rests in saddle. Use torque wrench to tighten evenly alternating from one nut to the other until achieving recommended torque.



Apply the second clip as near the loop or thimble as possible, if more than two clips are required, tighten firmly but do not torque, go to the next step. If only two clips are required tighten evenly while alternating nuts until reaching the recommended torque.



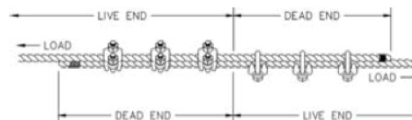
Space additional clips evenly between the first two clips, take up the rope slack, and tighten evenly on each U-Bolt including the clip closest to the eye, alternating nuts until reaching recommended torque.



The recommended method of joining two wire ropes together with U-Bolt clips is to use inter locking turn back eyes with thimbles while using the recommended number of clips on each eye.



An alternate method is to use twice the number of clips as used by a turn back termination. The rope ends are placed parallel to each other overlapping by twice the turn back amount recommended, while using the minimum amount of clips on each dead end. Tighten evenly on each U-Bolt alternating nuts until reaching recommended torque.



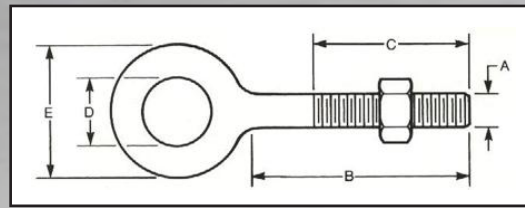
\*\* Remember apply the first load to test the assembly as mentioned in the warnings \*\*  
If a greater number of clips is used than shown in the chart, the amount of turn back should be increased proportionately.

**WARNING**

- Failure to read, understand and follow these instructions may cause death or serious injury
- Read and understand these instructions before using clips
- Match the same size clip to the same size wire rope
- Prepare wire rope and termination only as instructed
- Do not use with plastic coated wire rope
- Apply first load to test the assembly. This load should be of equal or greater weight than loads expected in use. Next, check and retighten nuts to recommended torque

Rigging Accessories

## Eye Bolt - Regular with Nut



- Material: Forged carbon steel quenched & tempered
- Standard: EN 4278, ASME B30.26
- Finish: Hot dip galvanized
- Design Factor: 5:1
- Identification: Size/Ocean

Dia. & Length (in)	WLL (lb)	Weight / 100 pcs. (lb)	Dimensions (in)					Price / ea.	Part Number
			A	C	B	D	E		
3/8 x 2 1/2	1550	23.30	0.38	1.50	2.50	0.75	1.50	STOCKED	6-3/8X21/2EBG
3/8 x 4 1/2	1550	29.50	0.38	2.50	4.50	0.75	1.50	STOCKED	6-3/8X41/2EBG
3/8 x 6	1550	35.20	0.38	2.50	6.00	0.75	1.50	STOCKED	6-3/8X6EBG
1/2 x 3 1/4	2600	50.30	0.50	1.50	3.25	1.00	2.00	STOCKED	6-1/2X31/4EBG
1/2 x 6	2600	66.10	0.50	3.00	6.00	1.00	2.00	STOCKED	6-1/2X6EBG
1/2 x 8	2600	82.00	0.50	3.00	8.00	1.00	2.00	STOCKED	6-1/2X8EBG
1/2 x 10	2600	88.00	0.50	3.00	10.00	1.00	2.00	STOCKED	6-1/2X10EBG
5/8 x 4	5200	103.10	0.62	2.00	4.00	1.25	2.50	STOCKED	6-5/8X4EBG
5/8 x 6	5200	118.20	0.62	3.00	6.00	1.25	2.50	STOCKED	6-5/8X6EBG
5/8 x 8	5200	135.10	0.62	3.00	8.00	1.25	2.50	STOCKED	6-5/8X8EBG
5/8 x 10	5200	153.60	0.62	3.00	10.00	1.25	2.50	STOCKED	6-5/8X10EBG
5/8 x 12	5200	167.10	0.62	4.00	12.00	1.25	2.50	STOCKED	6-5/8X12EBG
3/4 x 4 1/2	7200	168.60	0.75	2.00	4.25	1.50	3.00	STOCKED	6-3/4X41/2EBG
3/4 x 6	7200	184.50	0.75	3.00	6.00	1.50	3.00	STOCKED	6-3/4X6EBG
3/4 x 8	7200	207.90	0.75	3.00	8.00	1.50	3.00	STOCKED	6-3/4X8EBG
3/4 x 10	7200	235.00	0.75	3.00	10.00	1.50	3.00	STOCKED	6-3/4X10EBG
3/4 x 12	7200	257.50	0.75	4.00	12.00	1.50	3.00	STOCKED	6-3/4X12EBG
1 x 12	13 300	540.00	1.00	4.00	12.00	2.00	4.00	STOCKED	6-1X12EBG

## Eye Bolt - Screw



- Non Load Rated
- For use in wood
- Material: Forged
- Standard: EN 4278, ASME B30.26
- Finish: Hot dip galvanized
- Identification: Size

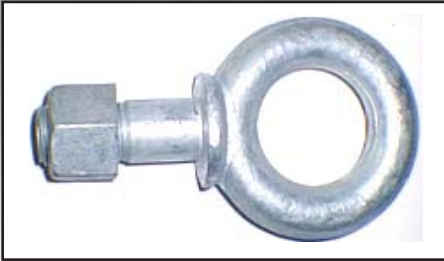
Size (in)	Thread Length (in)	Eye I.D (in)	Price / ea.	Part Number
1/4 x 2	1.50	0.47	STOCKED	6-1/4X2SC
5/16 x 2 1/4	1.70	0.60	STOCKED	6-5/16X21/4SC
3/8 x 2 1/2	1.90	0.72	STOCKED	6-3/8X21/2SC
1/2 x 3 1/4	2.45	0.98	STOCKED	6-1/2X31/4SC
5/8 x 4	3.00	1.17	STOCKED	6-5/8X4SC

**WARNING** SEE WARNING AND APPLICATION INFORMATION FOR EYE BOLTS.

**WARNING**  
NEVER EXCEED PUBLISHED WORKING LOAD LIMIT



## Eye Bolt - Shoulder with Nut, UNC

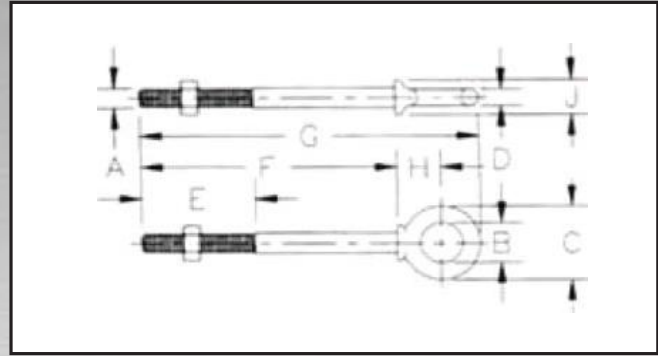


- Material: Forged carbon steel quenched & tempered
- Standard: EN 4278, ASME B30.26
- Finish: Hot dip galvanized
- Identification: Size

Size (in)	Shank Length (in)	Thread Length (in)	Price / ea.	Part Number
1 1/2	3 1/2	2	STOCKED	6-11/2x31/2GS

## Eye Bolt - Shoulder with Nut

- Material: Forged carbon steel quenched & tempered
- Standard: EN 4278, ASME B30.26
- Finish: Hot dip galvanized
- Design Factor: 5:1
- Identification: Size/Ocean



Size (in)	WLL (lb)	Weight / 100 pcs. (lb)	Dimensions (in)									Price / ea.	Part Number
			A	B	C	D	E	F	G	H	J		
1/4 x 2	650	6.6	0.25	0.50	0.88	0.19	1.50	2.00	2.94	0.50	0.47	STOCKED	6-1/4X2GS
1/4 x 4	650	9.1	0.25	0.50	0.88	0.19	2.50	4.00	4.94	0.50	0.47	STOCKED	6-1/4X4GS
5/16 x 2 1/4	1200	12.5	0.31	0.62	1.12	0.25	1.50	2.25	3.50	0.69	0.56	STOCKED	6-5/16X21/4GS
5/16 x 4 1/4	1200	18.8	0.31	0.62	1.12	0.25	2.50	4.25	5.50	0.69	0.56	STOCKED	6-5/16X41/4GS
3/8 x 2 1/2	1550	21.4	0.38	0.75	1.38	0.31	1.50	2.50	3.97	0.78	0.66	STOCKED	6-3/8X21/2GS
3/8 x 4 1/2	1550	25.3	0.38	0.75	1.38	0.31	2.50	4.50	5.97	0.78	0.66	STOCKED	6-3/8X41/2GS
1/2 x 3 1/4	2600	42.6	0.50	1.00	1.75	0.38	1.50	3.25	5.12	1.00	0.91	STOCKED	6-1/2X31/4GS
1/2 x 6	2600	56.8	0.50	1.00	1.75	0.38	3.00	6.00	7.88	1.00	0.91	STOCKED	6-1/2X6GS
5/8 x 4	5200	68.6	0.62	1.25	2.25	0.50	2.00	4.00	6.44	1.31	1.12	STOCKED	6-5/8X4GS
5/8 x 6	5200	102.4	0.62	1.25	2.25	0.50	3.00	6.00	8.44	1.31	1.12	STOCKED	6-5/8X6GS
3/4 x 4 1/2	7200	144.5	0.75	1.50	2.75	0.62	2.00	4.50	7.44	1.56	1.38	STOCKED	6-3/4X41/2GS
3/4 x 6	7200	167.5	0.75	1.50	2.75	0.62	3.00	6.00	8.94	1.56	1.38	STOCKED	6-3/4X6GS
7/8 x 5	10 600	225.0	0.88	1.75	3.25	0.75	2.50	5.00	8.46	1.84	1.56	STOCKED	6-7/8X5GS
1 x 6	13 300	366.3	1.00	2.00	3.75	0.88	3.00	6.00	9.97	2.09	1.81	STOCKED	6-1X6GS
1 x 9	13 300	422.5	1.00	2.00	3.75	0.88	4.00	9.00	12.97	2.09	1.81	STOCKED	6-1X9GS
1 1/4 x 8	21 000	650	1.25	2.50	4.50	1.00	4.00	8.00	12.72	2.47	2.28	STOCKED	6-11/4X8GS
1 1/4 x 12	21 000	795	1.25	2.50	4.50	1.00	4.00	12.00	16.72	2.47	2.28	STOCKED	6-11/4X12GS
1 1/2 x 15	24 000	1425	1.50	3.00	5.50	1.25	6.00	15.00	20.75	3.00	2.75	STOCKED	6-11/2X15GS

**WARNING** SEE WARNING AND APPLICATION INFORMATION FOR EYE BOLTS.



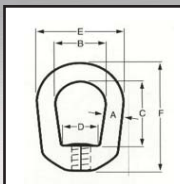
## Eye Bolt - Shoulder with Nut



- Material: Forged 304 Stainless Steel
- Standard: EN 4278, ASME B30.26
- Finish: Stainless Steel
- Design Factor: 5:1
- Identification: Size

WLL (lb)	Size (in)	Price / ea.	Part Number
500	1/4 x 2	STOCKED	6-1/4x2EBSS
500	1/4 x 4	STOCKED	6-1/4X4EBSS
798	5/16 x 2 1/4	STOCKED	6-516X214EBSS
798	5/16 x 4 1/4	STOCKED	6-516x414EBSS
1196	3/8 x 2 1/2	STOCKED	6-3/8X212EBSS
1196	3/8 x 4 1/4	STOCKED	6-3/8X414EBSS
2195	1/2 x 3 1/4	STOCKED	6-1/2X314EBSS
2195	1/2 x 6	STOCKED	6-1/2X6EBSS
3493	5/8 x 4	STOCKED	6-5/8X4EBSS
3493	5/8 x 6	STOCKED	6-5/8X6EBSS
5189	3/4 x 4 1/2	STOCKED	6-3/4X412EBSS
5189	3/4 x 6	STOCKED	6-3/4X6EBSS
7185	7/8 x 5	STOCKED	6-7/8X5EBSS
8675	1 x 6	STOCKED	6-1X6EBSS
8675	1 x 9	STOCKED	6-1X9EBSS

## Eye Nut



- Material/Finish: 304 Stainless Steel
- Standard: DIN 582, ASME B30.26
- Design Factor: 5:1
- Identification: Size/WLL

Tap Size (in)	WLL (lb)	Dimensions (in)						Price / ea.	Part Number
		A	B	C	D	E	F		
3/8	1160	0.375	1.25	1.50	1.04	1.97	2.48	STOCKED	6-3/8SSEN
1/2	2150	0.500	1.25	1.50	1.04	1.98	2.50	STOCKED	6-1/2SSEN

## Eye Bolt - Ring with Shoulder & Nut

- Material/Finish: 304 Stainless Steel & Hot Dip Galvanized



Size (in)	Ring Stock (in)	ID of Ring (in)	Max. Load (lb)	Stainless Steel (304 grade)		Galvanized	
				Price / ea.	Part Number	Price / ea.	Part Number
3/8 x 4 1/2	3/8	2	600	STOCKED	6-3/8X412BRSS	STOCKED	6-3/8X41/2BGR
3/8 x 6	3/8	2	600	STOCKED	6-3/8X6BRSS	STOCKED	6-3/8X6BGR
1/2 x 6	1/2	2 1/2	1100	STOCKED	6-1/2X6BRSS	STOCKED	6-1/2X6BGR
1/2 x 8	1/2	2 1/2	1100	STOCKED	6-1/2X8BRSS	STOCKED	6-1/2X8BGR
3/4 x 10	3/4	3 3/4	2600	STOCKED	6-3/4X10BRSS	STOCKED	6-3/4X10BGR

**WARNING** SEE WARNING AND APPLICATION INFORMATION FOR EYE BOLTS.

**WARNING**  
NEVER EXCEED PUBLISHED WORKING LOAD LIMIT



## Eye Bolt - Shoulder Machine, Imperial



- Material: Forged Steel
- Standard: EN 4278, ASME B30.26
- Finish: Self-Coloured
- Design Factor: 5:1
- Identification: Size/Ocean

WLL (lb)	Shank (in)		Eye (in)		Weight / 100 pcs. (lb)	Price / ea.	Part Number
	Dia.	Length	I.D.	O.D.			
650	1/4	1	0.75	1.13	4.9	STOCKED	6-1/4X1EB
1200	5/16	1-1/8	0.88	1.38	8.5	STOCKED	6-5/16X11/8EB
1550	3/8	1-1/4	1.00	1.62	14.0	STOCKED	6-3/8X11/4EB
2600	1/2	1-1/2	1.19	1.95	29.5	STOCKED	6-1/2X11/2EB
5200	5/8	1-3/4	1.38	2.38	58.0	STOCKED	6-5/8X13/4EB
7200	3/4	2	1.50	2.76	88.5	STOCKED	6-3/4X2EB
10 600	7/8	2-1/4	1.75	3.25	129.0	STOCKED	6-7/8X21/4EB
13 300	1	2-1/2	2.00	3.76	198.5	STOCKED	6-1X21/2EB
21 000	1-1/4	3	2.50	4.50	396.0	STOCKED	6-11/4X3EB
24 000	1-1/2	3-1/2	3.00	5.50	654.0	STOCKED	6-11/2X31/2EB

## Eye Bolt - Shoulder Machine, Metric



- Material: Forged Steel
- Standard: EN 4278, ASME B30.26
- Finish: Self-Coloured
- Design Factor: 5:1
- Identification: Size/Ocean

WLL (kg)	Thread Size & Pitch	Shank (mm)		Eye I.D. (mm)	Weight / ea. (kg)	Price / ea.	Part Number
		Dia.	Length				
200	M6x1.0	6	25.5	18.43	0.03	STOCKED	6-6MEB
400	M8x1.25	8	31.75	15.51	0.05	STOCKED	6-8MEB
640	M10x1.5	10	31.75	24.76	0.07	STOCKED	6-10MEB
1000	M12x1.75	12	38	23.94	0.11	STOCKED	6-12MEB
1800	M16x2.0	16	44.5	29.5	0.25	STOCKED	6-16MEB
2500	M20x2.5	20	51	36.51	0.42	STOCKED	6-20MEB
4808	M22x2.5	22	57	43.69	0.58	STOCKED	6-22MEB
4000	M24x3.0	24	63.5	49.36	1.05	STOCKED	6-24MEB
9525	M32x3.0	32	76	61.58	1.80	STOCKED	6-32MEB

**WARNING** SEE WARNING AND APPLICATION INFORMATION FOR EYE BOLTS.

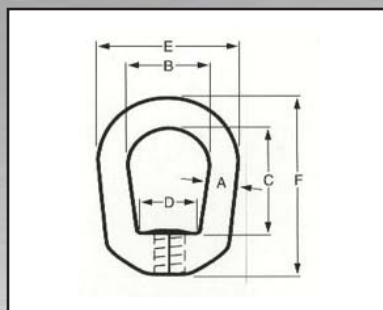
## Eye Pad



- Reference local welding specifications for proper welding procedures.
- Material: Steel • Finish: Self colored • Identification: Type

Size	I.D. Eye (in)	O.D. Eye (in)	Dia. of Shoulder (in)	Overall Height (in)	Wt./ 100 pcs (lb)	Price / ea.	Part Number
2	3/4	1 1/2	1 1/16	1 5/8	17.25	STOCKED	6-#2PESC
4	1	2 1/8	1 7/16	2 11/32	50.00	STOCKED	6-#4PESC
5	1 1/4	2 5/8	1 3/4	2 3/4	82.50	STOCKED	6-#5PESC

## Eye Nut



- Note: Order by tap size, marking on eye nut is body stock diameter
- Material: Forged
- Standard: EN 4278, ASME B30.26
- Finish: Galvanized
- Design Factor: 5:1
- Identification: Size ("A" Dia.)

Std Tap Size (in)	Dimensions (in)						Wt. / ea. (lb)	WLL (lb)	Price / ea.	Part Number
	A	B	C	D	E	F				
1/4	1/4	3/4	1 1/16	21/32	1 1/4	1 11/16	0.09	520	STOCKED	6-1/4EN
5/16	1/4	3/4	1 1/16	21/32	1 1/4	1 11/16	0.09	850	STOCKED	6-5/16EN
3/8	5/16	1	1 1/4	3/4	1 5/8	2 1/16	0.18	1250	STOCKED	6-3/8EN
1/2	3/8	1 1/4	1 1/2	1	2	2 1/2	0.28	2250	STOCKED	6-1/2EN
5/8	1/2	1 1/2	2	1 3/16	2 1/2	3 3/16	0.58	3600	STOCKED	6-5/8EN
3/4	5/8	1 3/4	2 3/8	1 3/8	3	3 7/8	1.00	5200	STOCKED	6-3/4EN
7/8	3/4	2	2 5/8	1 5/8	3 1/2	4 5/16	1.70	7200	STOCKED	6-7/8EN
1	7/8	2 1/4	3 1/16	1 7/8	4	5	2.75	10 000	STOCKED	6-1EN
1 1/4	1	2 1/2	3 1/2	1 15/16	4 1/2	5 3/4	3.85	15 500	STOCKED	6-1-1/4EN

## Hook - "S"



- Finish: Zinc

Size	Length (mm)	Opening (mm)	Inside (mm)	Price / ea.	Part Number
4	35	6.0	11	STOCKED	6-4MMEGH
5	46	6.5	13	STOCKED	6-5MMEGH
6	54	7.0	15.5	STOCKED	6-6MMEGH
7	65	10.5	18.5	STOCKED	6-7MMEGH
8	75	12.5	22.5	STOCKED	6-8MMEGH
10	90	15.0	28	STOCKED	6-10MMEGH

**WARNING** SEE WARNING AND APPLICATION INFORMATION FOR EYE BOLTS.

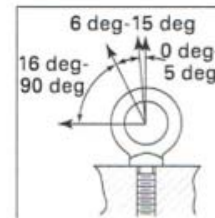
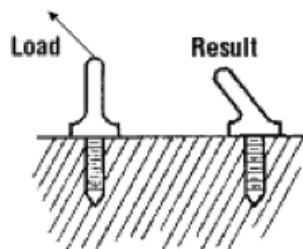
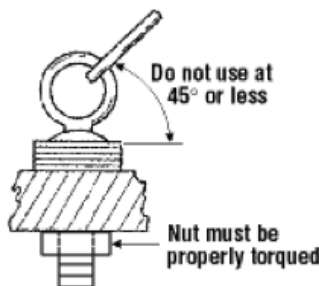
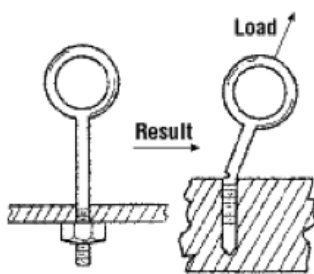




## EYE BOLTS FORGED - WARNINGS AND APPLICATION INSTRUCTIONS

### How should you select the right bolt?

- Eye Bolts are marked with their thread size NOT with their rated capacities. Make sure you select the correct eyebolt based on its type and capacity for the lift you are conducting.
- Use plain or regular eye bolts (non-shoulder) or ring bolts for vertical loading only.
- Angle loading on non-shoulder bolts will bend or break them.
- Use shoulder eye bolts for vertical or angle loading.



Vertical Angle, deg	% of Rated Load
0-5	100%
6-15	55%
16-90	25%

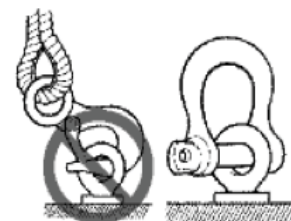
**Angular Loading**

### How should you use eye bolts safely?

- Orient the eye bolt in line with the slings. If the load is applied sideways, the eye bolt may bend.
- Pack washers between the shoulder and the load surface to ensure that the eye bolt firmly contacts the surface. Ensure that the nut is properly torqued.
- Engage at least 90% of threads in receiving a hole when using shims or washers.
- Attach only one sling leg to each eye bolt.
- Inspect and clean the eye bolt threads and the hole.
- Screw the eye bolt on all the way down and properly seat.
- Ensure the tapped hole for a screw eye bolt (body bolts) has a minimum depth of one-and-a-half times the bolt diameter.
- Install the shoulder at right angles to the axis of the hole. The shoulder should be in full contact with the surface of the object being lifted.
- Use a spreader bar with regular (non-shoulder) eye bolts to keep the lift angle at 90° to the horizontal.
  - Use eye bolts at a horizontal angle greater than 45°. Sling strength at 45° is 71% of vertical sling capacity. Eye bolt strength at 45° horizontal angle drops down to 25% of vertical lifting capacity.
  - Use a swivel hoist ring for angled lifts. The swivel hoist ring will adjust to any sling angle by rotating around the bolt and the hoisting eye pivots 180°.

### What should you avoid when using eye bolts?

- Do not run a sling through a pair of eye bolts: this will reduce the effective angle of lift and will put more strain on the rigging.
- Do not force the slings through eye bolts. This force may alter the load and the angle of loading.
- Do not use eye bolts that have been ground, machined or stamped.
- Do not use bars, grips or wrenches to tighten eye bolts.
- Do not paint an eye bolt. The paint could cover up flaws.
- Do not force hooks or other fittings into the eye; they must fit freely.
- Do not shock load eye bolts.
- Do not use a single eye bolt to lift a load that is free to rotate.
- Do not use eye bolts that have worn threads or other flaws.
- Do not insert the point of a hook in an eye bolt. Use a shackle.



### WARNING

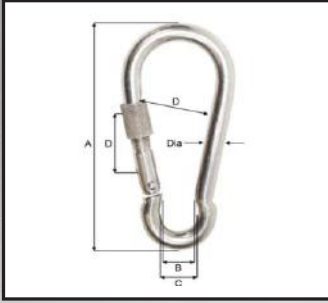
- Loads may slip or fall if proper eye bolt assembly and lifting procedures are not followed
- A falling load can seriously injure or kill
- Read and understand all instructions and follow warnings and safety instructions



### WARNING

NEVER EXCEED PUBLISHED WORKING LOAD LIMIT

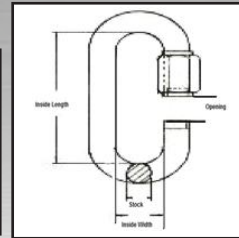
## Hook - Carabiner, Fishing, Screw Lock



- Finish: Stainless Steel
- Material: 316 Stainless Steel

Size dia. (mm)	WLL (lb)	Weight / 100 pcs (lb)	Dimensions (mm)				Price / ea.	Part Number
			A	B	C	D		
6	265	6.39	60	7	9	8	STOCKED	6-6X60SHSSSL
8	500	15.87	80	9	13	8	STOCKED	6-8x80SHSSSL
11	990	42.01	120	13	19	15	STOCKED	6-11X120SHSSSL

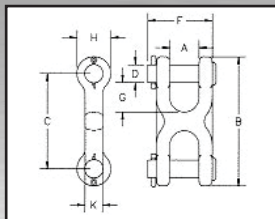
## Link - Quick



- Finish: Zinc & Stainless Steel

Size (in)	Wt. / ea. (lb)	Inside Length (mm)	Inside Width (mm)	Opening (mm)	Zinc Plated			Stainless Steel - 304SS		
					WLL (lb)	Price / ea.	Part Number	WLL (lb)	Price / ea.	Part Number
1/8	0.006	30	10	4	200	STOCKED	6-1/8"QL	330	STOCKED	6-1/8"SSQL
3/16	0.031	38	13	6	520	STOCKED	6-3/16"QL	600	STOCKED	6-3/16"SSQL
1/4	0.066	45	15	9	750	STOCKED	6-1/4"QL	950	STOCKED	6-1/4"SSQL
5/16	0.132	58	18	10	1525	STOCKED	6-5/16"QL	1350	STOCKED	6-5/16"SSQL
3/8	0.220	70	20	11	1800	STOCKED	6-3/8"QL	1700	STOCKED	6-3/8"SSQL
7/16	0.242	81	23	15	2550	STOCKED	6-7/16"QL			
1/2	0.781	85	23	16	3300	STOCKED	6-1/2"QL	2975	STOCKED	6-1/2"SSQL

## Link - Twin Clevis



- Not for overhead lifting - Not for grade 80 or grade 100 material
- Material: Body: Heat Treated Carbon Steel, Pins: Alloy Steel
- Standard: EN 12195-3
- Finish: Zinc & Painted
- Design Factor: 4:1
- Identification: Size/WLL

Size Chain (in)	WLL (lb)	Dimensions (in)								Price / ea.	Part Number
		A	B	C	D	F	G	H	K		
1/4 - 5/16	4700	0.47	2.50	1.16	0.38	1.31	0.43	0.94	0.50	STOCKED	6-1/4-5/16TCL
3/8	6600	0.53	2.81	1.81	0.44	1.80	0.50	1.00	0.56	STOCKED	6-3/8TCL
7/16 - 1/2	11 250	0.65	3.62	2.31	0.56	2.24	0.63	1.31	0.81	STOCKED	6-7/16-1/2TCL



## Hook - Snap

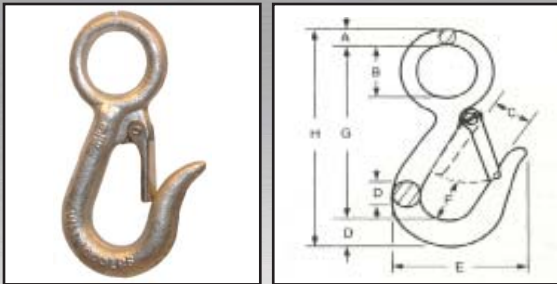


- Finish: Zinc & Stainless Steel
- Design Factor: 2.5:1

Size (mm)	O.L.		Wire Dia.		Wt. / ea. (lb)	Zinc plated			Stainless Steel - 304SS		
	(mm)	(in)	(mm)	(in)		WLL (lb)	Price / ea.	Part #	WLL (lb)	Price / ea.	Part #
5 x 50	50	2.00	5	3/16	0.022	200	STOCKED	6-5X50SH	220	STOCKED	6-5X50SHSS
6 x 60	60	2.36	6	1/4	0.062	240	STOCKED	6-6X60SH	260	STOCKED	6-6X60SHSS
7 x 70	70	2.75	7	9/32	0.099	360	STOCKED	6-7X70SH	396	STOCKED	6-7X70SHSS
8 x 80	80	3.16	8	5/16	0.154	460	STOCKED	6-8X80SH	500	STOCKED	6-8X80SHSS
10 x 100	100	4.00	10	3/8	0.317	700	STOCKED	6-10X100SH	770	STOCKED	6-10X100SHSS
12 x 140	140	5.50	12	1/2	0.595	760	STOCKED	6-12X140SH	1150	STOCKED	6-12X140SHSS
14 x 180	180	7.00	14	9/16	0.750	1120	STOCKED	6-14X180SH			

Hooks

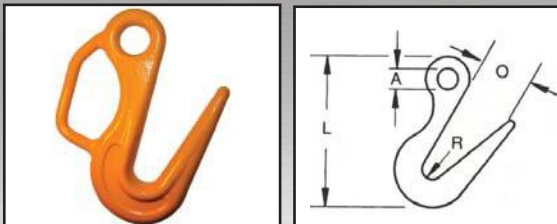
## Hook - Snap, with Latch



- Material: Mild Steel
- Finish: Galvanized
- Design Factor: 4:1
- Identification: Trademark, Size/WLL

Size (in)	WLL (lb)	Wt. (lb)	Dimensions (in)						Price / ea.	Part Number
			A	B	C	D	E	F		
7/16	750	0.23	0.25	0.75	0.75	0.44	2.25	0.75	STOCKED	6-7/16GSH
9/16	1000	0.48	0.34	1.12	0.81	0.56	2.69	0.88	STOCKED	6-9/16GSH

## Hook - Sorting, with Handle



- Material: Steel
- Finish: Powder Coated
- Design Factor: 4:1
- Identification: Trademark, Size/WLL, Batch Code
- Rated in Metric Ton(s)

WLL Tip (t)	WLL Bottom (t)	Wt. (lb)	Dimensions (in)				Price / ea.	Part Number
			A	R	L	O		
2	7 1/2	6.25	1.38	.625	9.69	2.81	STOCKED	6-2TSH





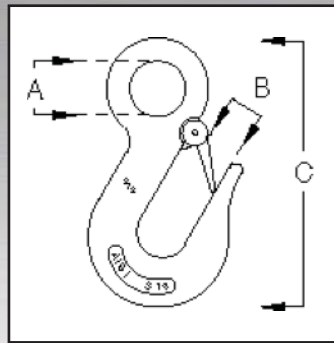
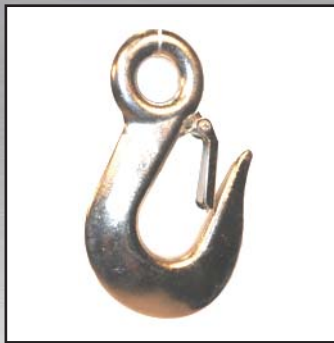
### Hook - Lanyard, with Double Lock



- Material: Mild Steel
- Finish: Zinc

Break Load (lb)	Price / ea.	Part Number
5000	STOCKED	6-DLLH

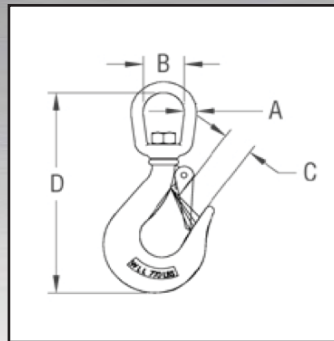
### Hook - Eye, Slip, with Latch



- Material: AISI Stainless Steel 316
- Finish: Stainless Steel
- Design Factor: 4:1
- Identification: Size/WLL

Chain Size (in)	WLL (lb)	Wt. / ea. (lb)	Dimensions (in)			Price / ea.	Part Number
			A	B	C		
3/8	2000	0.92	0.72	0.79	4.75	STOCKED	6-3/8SSESH
1/2	3000	1.90	0.93	1.06	6.00	STOCKED	6-1/2SSESH

### Hook - Swivel Eye, with Latch



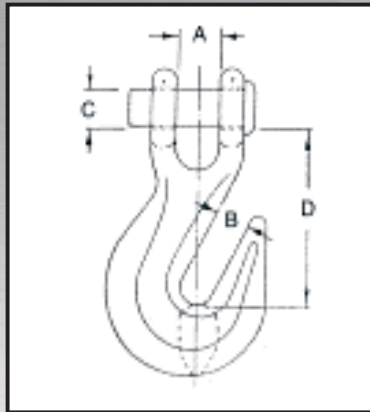
- Material: AISI Stainless Steel 316
- Finish: Stainless Steel
- Design Factor: 4:1
- Identification: Size/WLL

Size (in)	WLL (lb)	Dimensions (in)				Weight / ea. (lb)	Price / ea.	Part Number
		A	B	C	D			
1/4	770	0.25	0.83	0.75	4.55	0.40	STOCKED	6-1/4"SSSWH
5/16	1430	0.35	1.07	0.76	5.17	0.70	STOCKED	6-5/16"SSSWH

Hooks



## Hook - Clevis, Grab, Grade 70

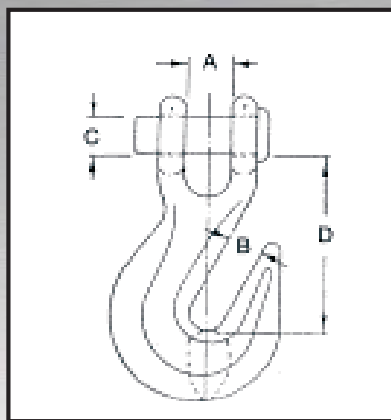


- For use with Grade 70 or lower chains
- Not for use with grade 80 chain and chain slings used in overhead lifting
- Material: Forged Alloy Steel, Quenched & Tempered
- Standard: EN 12195-3
- Finish: Gold Chromated
- Design Factor: 4:1
- Identification: Trademark, Size/WLL, Batch Code, G70

Chain Size (in)	WLL (lb)	Dimensions (in)				Wt. / ea. (lb)	Qty. / box	Price / ea.	Part Number
		A	B	C	D				
1/4	3150	0.36	0.40	0.38	1.97	0.40	100	STOCKED	6-1/4"CGH
5/16	4700	0.40	0.44	0.44	2.26	0.79	50	STOCKED	6-5/16"CGH
3/8	6600	0.48	0.50	0.47	2.63	1.00	50	STOCKED	6-3/8"CGH
7/16	8750	0.66	0.56	0.56	2.75	1.31	40	STOCKED	6-7/16"CGH
1/2	11 300	0.75	0.66	0.63	3.19	2.10	25	STOCKED	6-1/2"CGH

Hooks

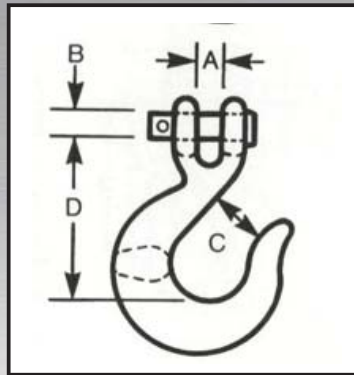
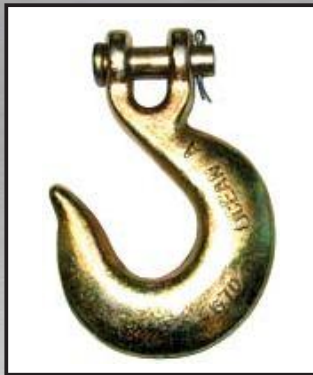
## Hook - Clevis, Grab, with Latch, Grade 70



- For use with Grade 70 or lower chains
- Not for use with grade 80 chain and chain slings used in overhead lifting.
- Material: Forged Alloy Steel, Quenched & Tempered
- Standard: EN 12195-3
- Finish: Gold Chromated
- Design Factor: 4:1
- Identification: Trademark, Size/WLL, Batch Code, G70

Chain Size (in)	WLL (lb)	Dimensions (in)				Wt. / ea. (lb)	Qty. / box	Price / ea.	Part Number
		A	B	C	D				
1/4	3150	0.36	0.40	0.38	1.97	0.40	100	STOCKED	6-1/4"CGHL
5/16	4700	0.40	0.44	0.44	2.26	0.79	50	STOCKED	6-5/16"CGHL
3/8	6600	0.48	0.50	0.47	2.63	1.00	50	STOCKED	6-3/8"CGHL
1/2	11 300	0.75	0.66	0.63	3.19	2.10	25	STOCKED	6-1/2"CGHL

## Hook - Clevis, Slip, Grade 70

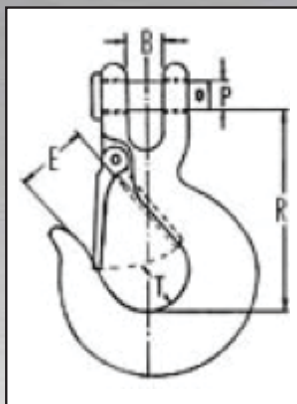
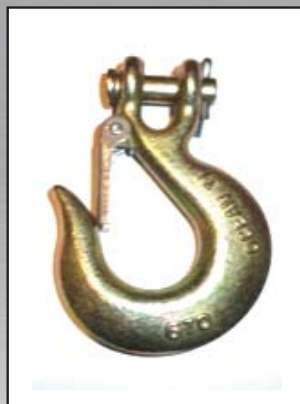


- For use with Grade 70 or lower chains
- Not for use with grade 80 chain and chain slings used in overhead lifting
- Material: Forged Alloy Steel, Quenched & Tempered
- Standard: EN 12195-3
- Finish: Gold Chromated
- Design Factor: 4:1
- Identification: Trademark, Size/WLL, Batch Code, G70

Chain Size (in)	WLL (lb)	Dimensions (in)				Wt. / ea. (lb)	Qty. / Box	Price / ea.	Part Number
		A	B	C	D				
1/4	2750	0.44	0.37	0.91	2.60	0.50	100	STOCKED	6-1/4"CSH
5/16	4300	0.50	0.43	1.10	2.85	0.75	50	STOCKED	6-5/16"CSH
3/8	5250	0.59	0.47	1.30	3.25	1.20	50	STOCKED	6-3/8"CSH
1/2	9000	0.70	0.63	1.47	3.90	2.80	20	STOCKED	6-1/2"CSH
5/8	13 500	0.91	0.75	2.00	4.90	4.75	10	STOCKED	6-5/8"CSH

Hooks

## Hook - Clevis, Slip, with Latch, Grade 70



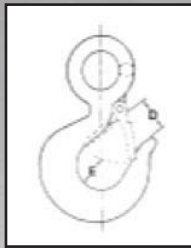
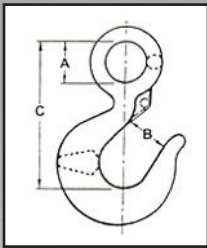
- For use with Grade 70 or lower chains
- Not for use with grade 80 chain and chain slings used in overhead lifting
- Material: Forged Alloy Steel, Quenched & Tempered
- Standard: EN 12195-3
- Finish: Gold Chromated
- Design Factor: 4:1
- Identification: Trademark, Size/WLL, Batch Code, G70

Chain Size (in)	WLL (lb)	Dimensions (in)				Wt. / ea. (lb)	Qty. / box	Price / ea.	Part Number
		B	E	P	R				
1/4	2750	0.44	0.73	0.38	2.44	0.50	100	STOCKED	6-1/4"CSHL
5/16	4300	0.58	1.03	0.42	2.83	0.75	50	STOCKED	6-5/16"CSHL
3/8	5250	0.59	1.29	0.47	3.33	1.20	50	STOCKED	6-3/8"CSHL
1/2	9000	0.75	1.38	0.63	4.00	2.80	20	STOCKED	6-1/2"CSHL
5/8	13 500	0.93	2.00	0.75	4.94	4.75	10	STOCKED	6-5/8"CSHL





## Hook - Eye, Hoist, with Latch



- Material: Forged Alloy & Carbon Steel, Quenched & Tempered
- Standard: EN 1677-5,-2
- Finish: Powder Coated (Yellow)
- Design Factor: 5:1
- Identification: Trademark, Size/Load, BatchCode, (Alloy)
- Rated in Metric Ton(s)

WLL (t)		Qty. / box	Dimensions (in)					Wt. / ea. (lb)	Carbon		Alloy	
Carbon	Alloy		A	B	C	D	E		Price / ea.	Part Number	Price / ea.	Part Number
3/4	1	80	0.75	0.94	3.22	0.88	0.81	0.5	STOCKED	6-3/4TCEH	STOCKED	6-1TAEH
1	1 1/2	50	0.91	1.03	3.66	0.97	0.81	0.8	STOCKED	6-1TCEH	STOCKED	6-1-1/2TAEH
1-1/2	2	40	1.12	1.06	4.09	1.00	0.84	1.1	STOCKED	6-1-1/2TCEH	STOCKED	6-2TAEH
2	3	40	1.25	1.22	4.69	1.12	1.19	1.7	STOCKED	6-2TCEH	STOCKED	6-3TAEH
3	4 1/2	30	1.56	1.50	5.78	1.34	1.38	3.6	STOCKED	6-3TCEH	STOCKED	6-4-1/2TAEH
5	7	10	2.00	1.88	7.38	1.69	1.78	6.7	STOCKED	6-5TCEH	STOCKED	6-7TAEH
7 1/2	11	5	2.44	2.25	9.06	2.06	2.12	13.0	STOCKED	6-7-1/2TCEH	STOCKED	6-11TAEH
10	15	5	2.84	2.50	10.06	2.27	2.56	18.5	STOCKED	6-10TCEH	STOCKED	6-15TAEH
15	22	2	3.50	3.30	12.53	3.02	2.88	33.8	STOCKED	6-15TCEH	STOCKED	6-22TAEH
	30	1	3.50	4.00	14.06	3.25	3.44	60.0			STOCKED	6-30TAEH

NOTE: Proof Load is 2.5 times the working load limit for 3/4TC~22TA, 22TA~30TA is 2 times – Hooks Average straightening load (ultimate load) is five times the WLL for 0.75TC~22TA, 30TA is 4.5 times WLL. (1 tonne = 2204 lb)

Hooks

## Hook - Swivel Eye, Hoist, with Latch



- Material: Forged Alloy & Carbon Steel, Quenched & Tempered
- Standard: EN 1677-5,-2
- Finish: Powder Coated (Yellow)
- Design Factor: 5:1
- Identification: Trademark, Size/Load, Batch Code, (Alloy)
- Rated in Metric Ton(s)

WLL (t)		ID Ball Width (in)	Throat Opening no Latch (in)	Throat Opening with Latch (in)	Weight / ea. (lb)	Qty. / box	Carbon		Alloy	
Carbon	Alloy						Price / ea.	Part Number	Price / ea.	Part Number
3/4	1	1 1/4	15/16	7/8	0.78	50	STOCKED	6-3/4TSWLH	STOCKED	6-1TASWH
1	1 1/2	1 1/2	1 1/32	31/32	1.32	50	STOCKED	6-1TSWLH	STOCKED	6-1-1/2TASWH
1 1/2	2	1 3/4	1 1/16	1	2.02	30	STOCKED	6-1-1/2TSWLH	STOCKED	6-2TASWH
2	3	1 3/4	1 7/32	1 1/8	2.57	20	STOCKED	6-2TSWLH	STOCKED	6-3TASWH
3	4 1/2	2	1 1/2	1 11/32	4.89	10	STOCKED	6-3TSWLH	STOCKED	6-4-1/2TASWH
5	7	2 1/2	1 7/8	1 11/16	10.29	5	STOCKED	6-5TSWLH	STOCKED	6-7TASWH
	11	2 3/4	2 1/4	2 1/16	18.62	5			STOCKED	6-11TASWH
	15	3 1/8	2 1/2	2 1/4	25.43	2			STOCKED	6-15TASWH
	22	4 1/16	3 3/8	3 1/8	47.25	1			STOCKED	6-22TASWH
	30	4 1/16	4	3 1/4	70.50	1			STOCKED	6-30TASWH

NOTE: Proof Load is 2 times the working load limit for 3/4TC~15TC and 30TA, 1TA~22TA is 2.5 times – Hooks Average straightening load (ultimate load) is five times the WLL for 0.75TC~15TC, 1TA~22TA is 4.5 times WLL and 30TA is 4 times WLL. (1 tonne = 2204 lb)



### WARNING

- Loads may disengage from hook if proper procedures are not followed  
 - A falling load can cause serious injury or death  
 - Not for personnel lifting

- The hook must always support the load, the load must never be supported by the latch  
 - Never exceed the hooks working load limit (WLL)  
 - Perform periodic visual inspection by trained personnel in compliance with the schedule in ANSI B30.10



### WARNING

NEVER EXCEED PUBLISHED WORKING LOAD LIMIT

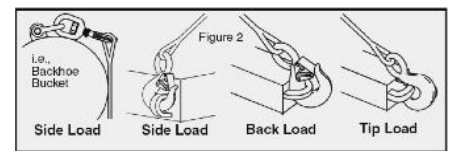
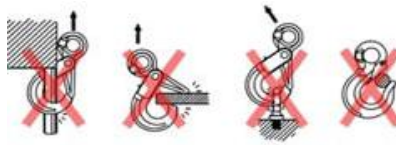
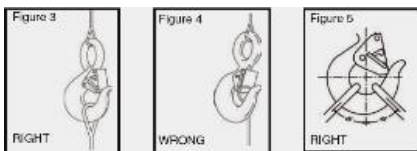


# HOOKS EYE HOIST - WARNINGS AND APPLICATION INSTRUCTIONS

## Operating Practices:

- **Personnel using hooks shall be aware of the following:**
  1. Never use a hook with a throat opening that has been increased, or with a tip that has been bent out of plane from the hook body. A latch will not work properly on a hook that has been worn or bent.
  2. Any hook that has a crack, nick, or gouge must be removed from service.
  3. Never repair, alter, re-work, or re-shape a hook by welding, heating, burning or bending.
  4. Do not swivel hooks under load.
  5. It shall be determined that the load to be applied does not exceed the lesser of the load rating of the hook or the load rating of the equipment of which the hook is a part.
  6. Shack loading shall be avoided.
  7. Load shall be centered in the base (bowl/saddle) of the hook to prevent point loading of the hook.
  8. When multileg slings are placed in the base (bowl/saddle) of the hook, the maximum included angle between sling legs shall be 90 deg or as determined by the hook manufacturer. The maximum sling leg angle with respect to the hook centerline for any rigging arrangement shall be 45 deg.
  9. A collector ring, such as a link or shackle, should be used when more than two legs are placed in a hook for angles greater than 45 deg with respect to the hook centerline.
  10. Hooks shall not be used in such a manner as to place a side load, back load, or tip load on the hook.
  11. When using a device to close the throat opening of the hook, care shall be taken that the load is not carried by the closing device.
  12. Hands, fingers, and body shall be kept from between hook and load.
  13. The use of the hook with latches does not preclude the inadvertent detachment of a slack sling or a load from the hook. Hook latches aid in the retention of loose slings under slack rigging conditions only and are not intended to be antifouling devices during load handling or rigging. Visual verification of proper hook engagement is required in all cases.
  14. Self-Locking hooks shall be locked during use.
  15. When a latch is equipped with a lock open device to facilitate rigging, the latch shall be closed during operation.
  16. When a hook is equipped with a latch, the load shall not restrict the closure of the latch.
  17. The need for a latch or mousing on any hook is a function of the application of the hook and shall be determined by a qualified person.

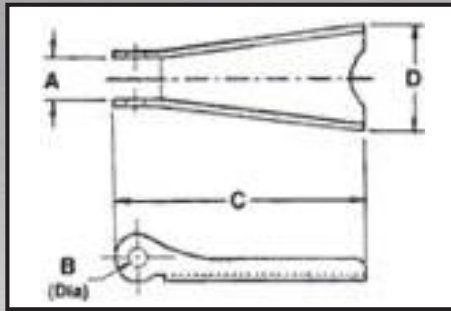
Hooks



**NEVER side load, back load or tip load!**

	<b>WARNING</b>	- Loads may disengage from hook if proper procedures are not followed	- The hook must always support the load, the load must never be supported by the latch
		- A falling load can cause serious injury or death	- Never exceed the hooks working load limit (WLL)
		- Not for personnel lifting	- Perform periodic visual inspection by trained personnel in compliance with the schedule in ANSI B30.10

## Hook - Latch Kit

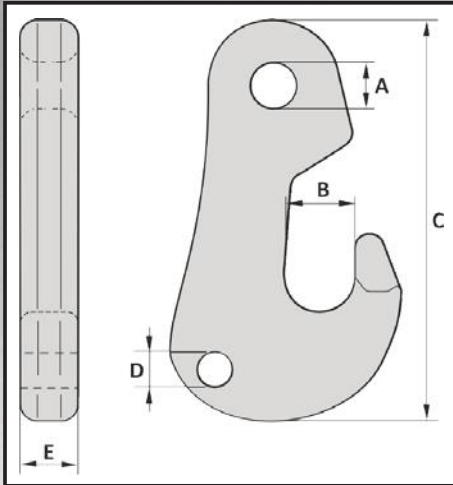


- Stainless Steel Latch kits for Hoist Hooks
- Rated in Metric Ton(s)

Hook Size (t)		Dimensions (in)				Wt./ea.(lb)	Price / ea.	Part Number
Carbon	Alloy	A	B	C	D			
3/4	1	0.38	0.16	1.44	0.59	0.02	STOCKED	6-3/4TLK
1	1 1/2	0.38	0.16	1.60	0.59	0.02	STOCKED	6-1TLK
1 1/2 - 2	2 - 3	0.47	0.19	1.84	0.82	0.03	STOCKED	6-1-1/2TLK
2	3	0.47	0.19	2.00	0.92	0.03	STOCKED	6-2TLK
3	4-1/2	0.56	0.17	2.41	1.00	0.06	STOCKED	6-3TLK
5	7	0.58	0.20	2.97	1.21	0.11	STOCKED	6-5TLK
7 1/2 - 10	11 - 15	0.59	0.27	3.66	1.50	0.17	STOCKED	6-7-1/2-10TLK
15	22	0.83	0.39	4.94	1.90	0.39	STOCKED	6-15C-22ATLK
20	30	0.94	0.52	5.88	2.56	0.63	STOCKED	6-20C-30ATLK

Hooks

## Hook - Anchor Line Hook, GN®

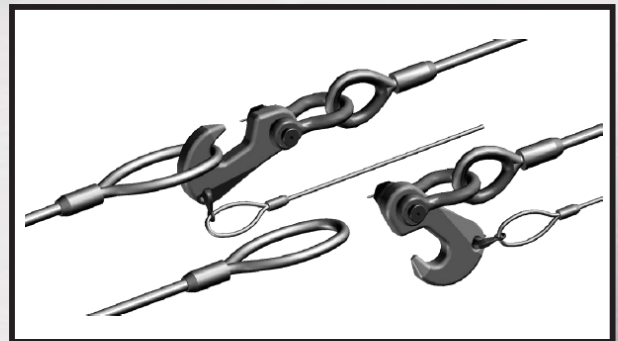


- Material: Cast steel
- Finish: Galvanized
- Design Factor: 4:1
- Temperature Range: -20°C up to +200°C
- Certification: Certificate of Conformity (on request)
- Rated in Metric Ton(s)



WLL (ton)	MBL (ton)	Dimensions (mm)					Weight (kg)	Price
		A	B	C	D	E		
15	60	38	58	343	32	45	11	Pricing on Request
20	80	40	74	343	32	60	14	
25	100	52	86	440	38	65	26	
50	200	80	112	618	45	90	67	
80	320	90	130	709	62	110	116	

Tolerance: ± 5%



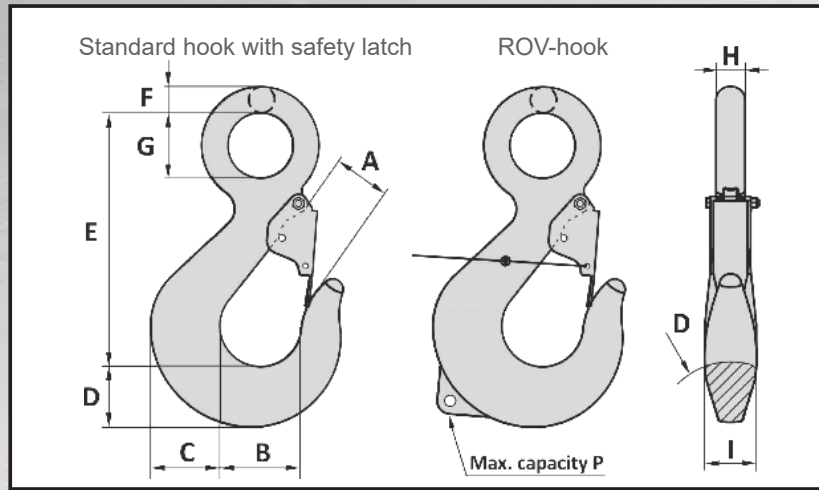




## Hook - Eye, ROV, with Latch, GN®

Made in Holland

- Material: Alloy steel
  - Finish: Painted
  - Design Factor: 4:1
  - Temperature Range: -40°C up to +200°C
  - Certification: Certificate of Conformity (on request)  
3.1 material certificate EN 10204 (on request)
  - Rated in Metric Ton(s)
- Spare latches available on request.



WLL (ton)	MBL (ton)	Dimensions (mm)									P (ton)	Wt. (kg)	Price	Part Number
		A	B	C	D	E	F	G	H	I				
8	32	54	68	53	48	203	25	50	25	38		3.7	-	
12.5	50	71	86	68	51	253	32	64	32	48		7.6	-	
16	64	81	96	76	68	284	36	72	36	53		10	-	
20	80	91	107	86	76	319	40	81	40	61		13	116-SH20T	
28	112	71	112	96	83	354	38	95	38	63		17	116-SH28	
31	125	81	125	106	92	389	43	100	43	70		23	116-SH31T	
40	160	93	140	116	103	457	48	130	48	80		34	116-SH40T	
50	200	106	158	135	116	495	54	130	54	89		49	116-SH50T	
63	250	119	176	151	130	565	60	150	60	99		63	116-SH63T	
80	320	131	198	168	145	690	67	170	67	110		99	116-SH80T	
100	400	151	225	195	172	725	79	175	79	125	4.75	160	116-SH100T	
150	600	173	250	225	199	765	86	130	86	160	6.5	260	116-SH150T	
200	800	200	275	260	237	850	102	150	102	180	8.5	417	116-SH200T	
250	1000	233	310	290	269	928	120	170	120	200	9.5	576	116-SH250T	
300	1200	264	350	330	310	1052	140	190	140	220	12	820	116-SH300T	
400	1600	303	400	380	344	1195	170	210	170	240	17	1125	116-SH400	
500	2000	370	450	410	390	1360	200	215	200	320	17	1840	-	

Pricing on Request

Tolerance: Forged parts ± 5%, machined parts ± 1 mm

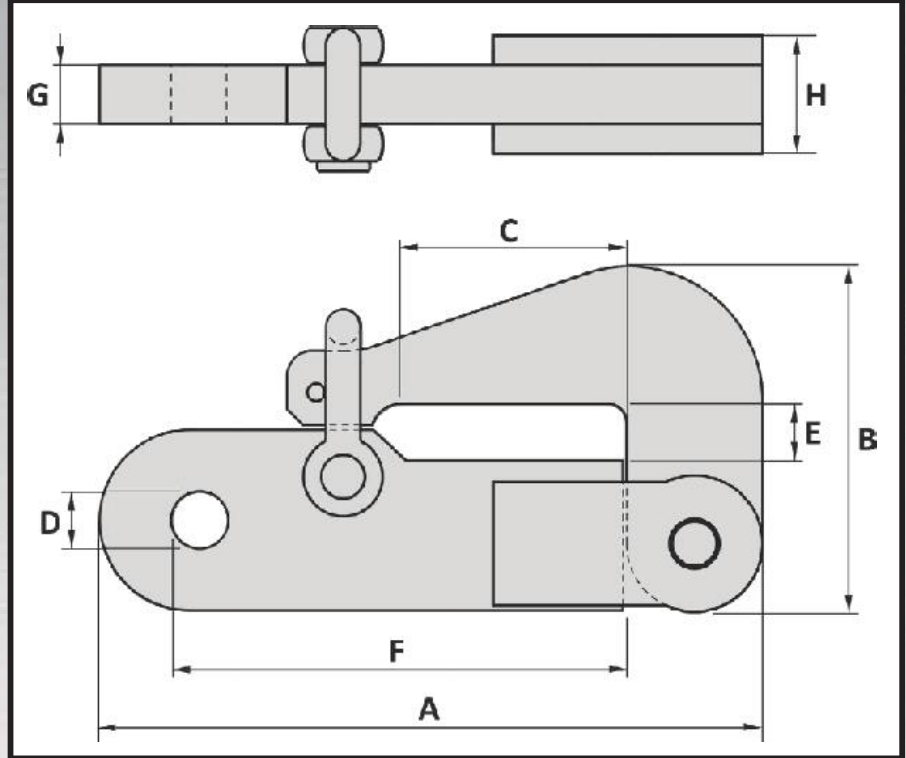
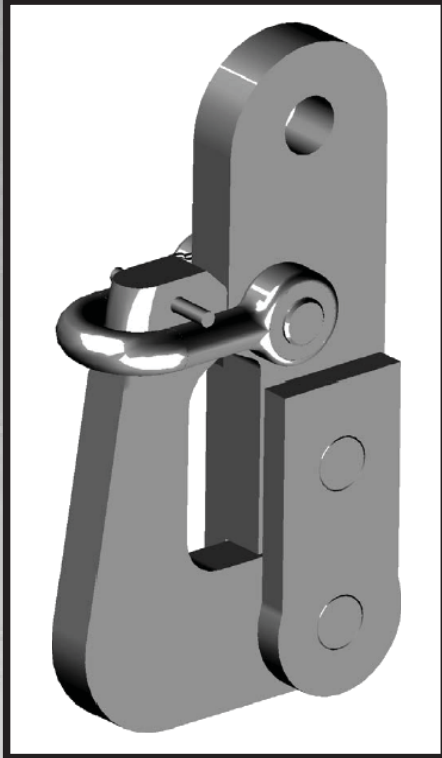


## Hook - Pelican Sliphook, GN®

- Material: High tensile steel
- Finish: Painted
- Design Factor: 5:1
- Temperature Range: -20°C up to +200°C
- Certification: Certificate of Conformity (on request)
- Rated in Metric Ton(s)

Non-standard sizes or custom products available on request.

Hooks



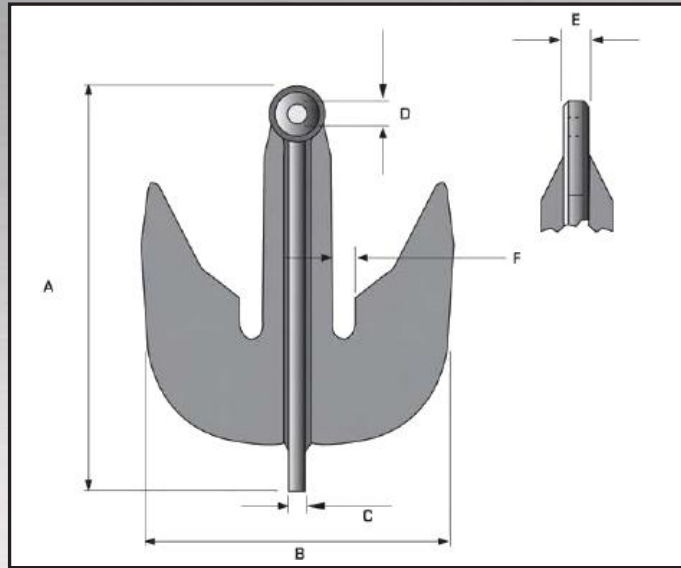
WLL (ton)	MBL (ton)	Dimensions (mm)								Wt. (kg)	Price
		A	B	C	D	E	F	G	H		
3.5	17.5	328	155	85	26	35	240	20	54	6.7	Pricing on Request
5	25	338	161	100	38	35	234	30	60	12	
8	40	415	200	150	50	55	300	30	70	17	
12.5	62.5	491	235	160	55	65	358	35	75	26	
17	85	550	265	165	55	70	390	45	95	45	
25	125	610	308	180	60	76	430	45	105	62	
35	175	670	355	200	60	85	465	50	110	100	
55	275	775	410	230	75	90	500	60	130	152	
85	425	1020	490	310	103	110	704	100	200	352	
120	600	1240	650	418	105	160	858	100	220	524	
150	750	1308	710	482	115	180	919	100	240	616	
200	1000	1477	790	550	130	200	1017	120	280	702	

Tolerance: Forged parts ± 5%, machined parts ± 1 mm



## Hook - Chain Grapnel

- Material: Forged Steel
- Finish: Painted/Self coloured
- Design Factor: 4:1
- Temperature Range: -20°C up to +200°C
- Certification:
  - Certificate of Conformity (on request)
  - 3.1 material certificate EN 10204 (on request)
- Rated in Matric Ton(s)



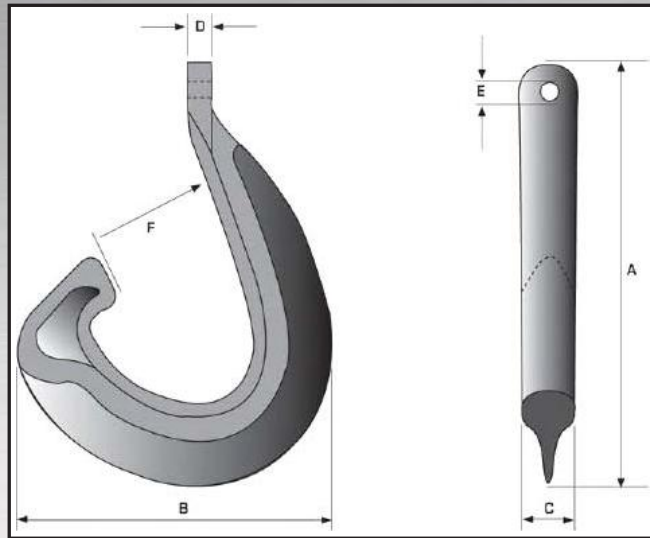
WLL (t)	PL (t)	Dimensions (mm)						Wt./ea. (kg)	Price
		A	B	C	D	E	F		
100	150	1178	1372	75	98	135	108	1351	Pricing on Request
200	270	1822	1499	90	114	130	108	1850	
250	350	2630	1994	1676	100	144	190	127	

Tolerance: ± 5%

Hooks

## Hook - J, Chain Chaser

- Material: Mild Steel
- Finish: Painted
- Temperature Range: -20°C up to +200°C
- Certification:
  - Certificate of Conformity (on request)
  - 3.1 material certificate EN 10204 (on request)
- Rated in Matric Ton(s)



WLL (t)	PL (t)	Dimensions (mm)						Wt./ea. (kg)	Price
		A	B	C	D	E	F		
100	250	2438	1829	305	124	86	699	1886	Pricing on Request
250	400	2573	2185	457	178	144	699	3400	

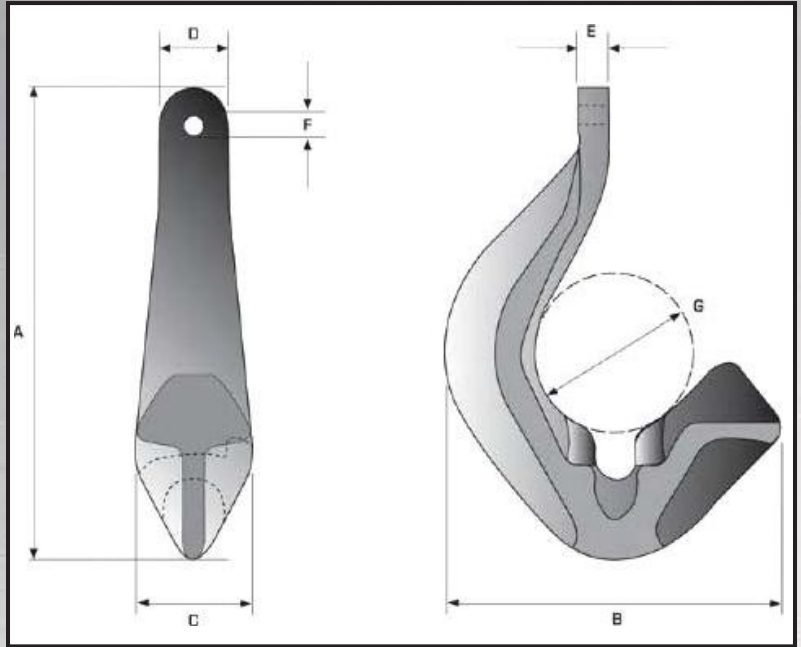
Tolerance: ± 5%





## Hook - J-Lock, Chain Chaser

- Material: Mild Steel
- Finish: Painted
- Temperature Range: -20°C up to +200°C
- Certification:
  - Certificate of Conformity (on request)
  - 3.1 material certificate EN 10204 (on request)
- Rated in Matric Ton(s)



Hooks

WLL (t)	PL (t)	Dimensions (mm)							Wt./ea. (kg)	Price
		A	B	C	D	E	F	G		
100	250	2083	1486	533	305	124	86	711	1752	Pricing on Request
250	400	2350	1824	533	406	178	144	711	3000	

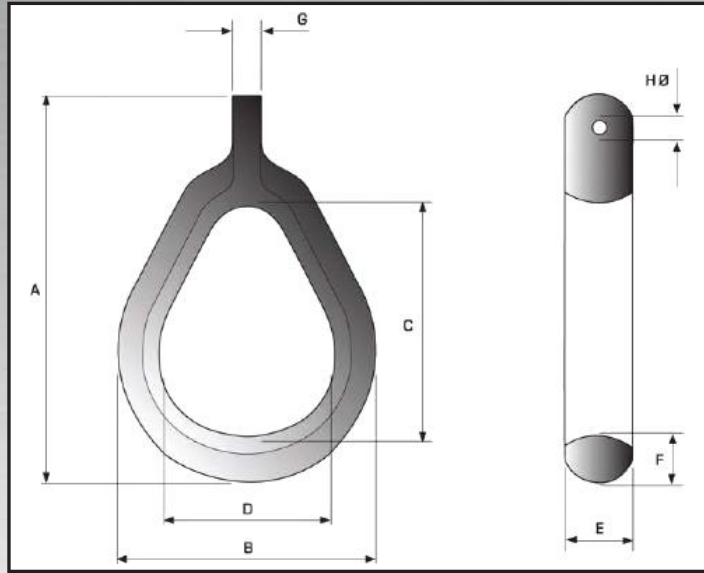
WLL (t)	
100	Designed for use with 2 1/2 to 3 1/2 inch chain
250	Designed for use with 95 to 120 mm chain
100	Designed for use with 2 1/2 to 3 1/2 inch chain
250	Designed for use with 95 to 120 mm chain

Tolerance: ± 5%



## Hook - Permanent Chain Chaser

- Material: Forged Steel
- Finish: Painted/Self coloured
- Design Factor: 4:1
- Temperature Range: -20°C up to +200°C
- Certification:
  - Certificate of Conformity (on request)
  - 3.1 material certificate EN 10204 (on request)
- Rated in Metric Ton(s)



WLL (t)	PL (t)	Dimensions (mm)							Wt./ea. (kg)	Price
		A	B	C	D	E	F	G		
100	250	2083	1486	533	305	124	86	711	1752	Pricing on Request
250	400	2350	1824	533	406	178	144	711	3000	

WLL (t)	
100	Designed for use with 2 1/2 to 3 1/2 inch chain
250	Designed for use with 95 to 120 mm chain
100	Designed for use with 2 1/2 to 3 1/2 inch chain
250	Designed for use with 95 to 120 mm chain

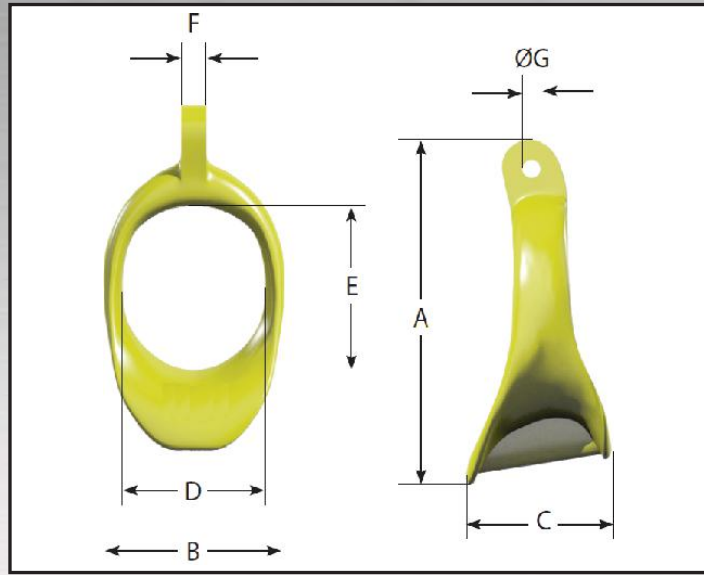
Tolerance: ± 5%

Hooks



## Hook - Ring Chaser

- Material: Forged Steel
- Finish: Painted/Self coloured
- Design Factor: 4:1
- Temperature Range: -20°C up to +200°C
- Certification:
  - Certificate of Conformity (on request)
  - 3.1 material certificate EN 10204 (on request)
- Rated in Matric Ton(s)

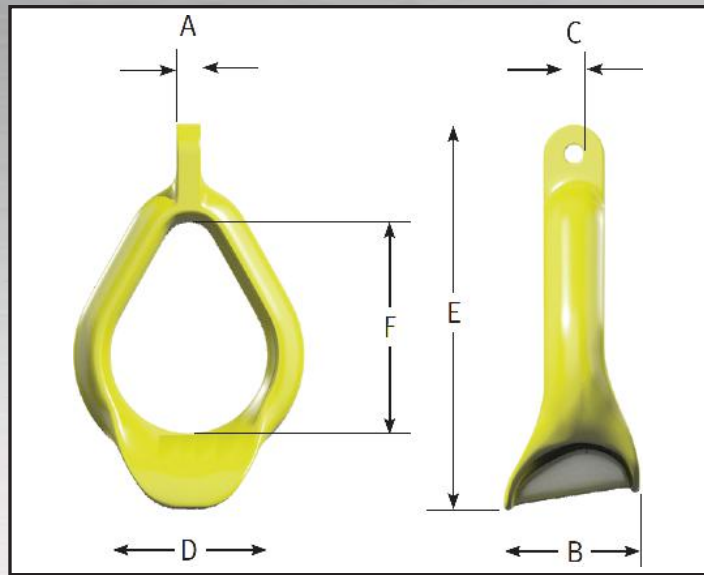


WLL (t)	PL (t)	Dimensions (mm)							Wt./ea. (kg)	Price
		A	B	C	D	E	F	G		
150	300	1700	841	720	711	801	125	100	950	Pricing on Request

Tolerance: ± 5%

## Hook - Dual Chaser

- Material: Forged Steel
- Finish: Painted/Self coloured
- Design Factor: 4:1
- Temperature Range: -20°C up to +200°C
- Certification:
  - Certificate of Conformity (on request)
  - 3.1 material certificate EN 10204 (on request)
- Rated in Matric Ton(s)



WLL (t)	PL (t)	Dimensions (mm)							Wt./ea. (kg)	Price
		A	B	C	D	E	F	G		
150	300	1700	841	720	711	801	125	100	950	Pricing on Request

Tolerance: ± 5%

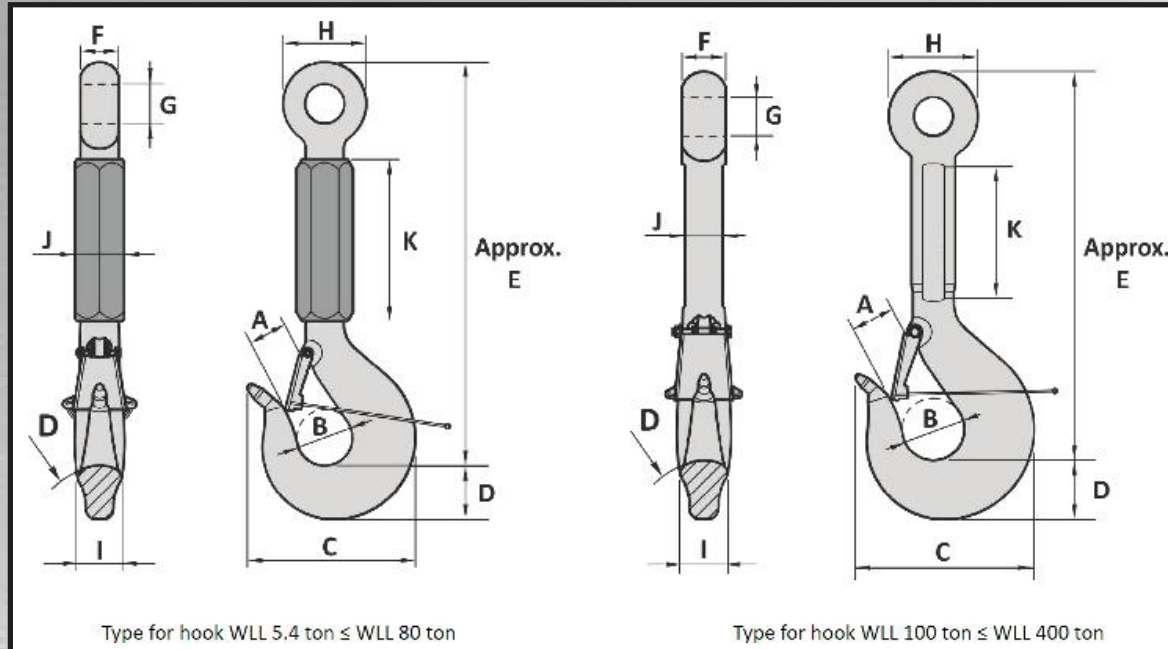
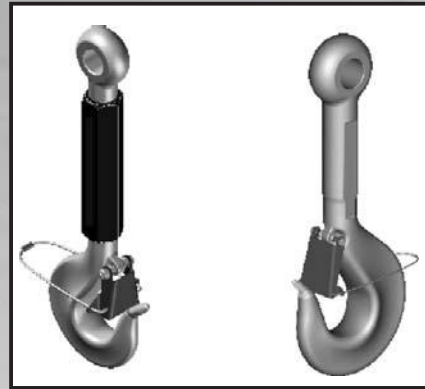
Hooks





**Hook - ROV Shank Hook, GN®**

- Material: Alloy steel
  - Finish: Painted
  - Design Factor: 4:1
  - Temperature Range: -40°C up to +200°C
  - Certification: Certificate of Conformity (on request)  
 3.1 material certificate EN 10204 (on request)
  - Rated in Metric Ton(s)
- Spare latches available on request.



Type for hook WLL 5.4 ton ≤ WLL 80 ton

Type for hook WLL 100 ton ≤ WLL 400 ton

WLL (ton)	MBL (ton)	Dimensions (mm)											Wt. (kg)	Price
		A	B	C	D	E	F	G	H	I	J	K		
5.4	21.6	34	50	161	40	515	34	31	68	32	45	250	5.3	Pricing on Request
12.5	50	41	53	200	58	565	45	40	90	45	60	260	12	
16	64	49	70	224	67	610	48	44	102	53	60	280	17	
25	100	55	80	248	75	650	56	52	105	60	70	270	22	
32	128	59	90	288	85	800	65	60	130	67	80	310	35	
40	160	69	100	316	95	820	70	70	150	75	85	330	47	
50	200	76	112	343	106	850	80	78	162	85	100	350	62	
63	252	84	125	376	118	1000	85	86	180	95	110	360	92	
80	320	97	140	418	132	950	100	86	210	106	120	290	111	
100	400	110	160	462	150	1000	110	100	228	118	98	320	155	
125	500	132	180	509	170	1050	124	110	260	132	106	280	209	
160	640	137	200	584	190	1100	138	130	300	150	120	280	317	
200	800	167	224	648	212	1200	160	130	350	170	136	280	367	
250	1000	188	250	740	236	1250	180	145	370	190	150	300	617	
300	1200	205	280	825	265	1320	190	160	405	212	160	300	730	
400	1600	225	315	920	300	1400	210	185	465	236	180	300	1000	

Tolerance: Forged parts ± 5%, machined parts ± 1 mm



Hooks

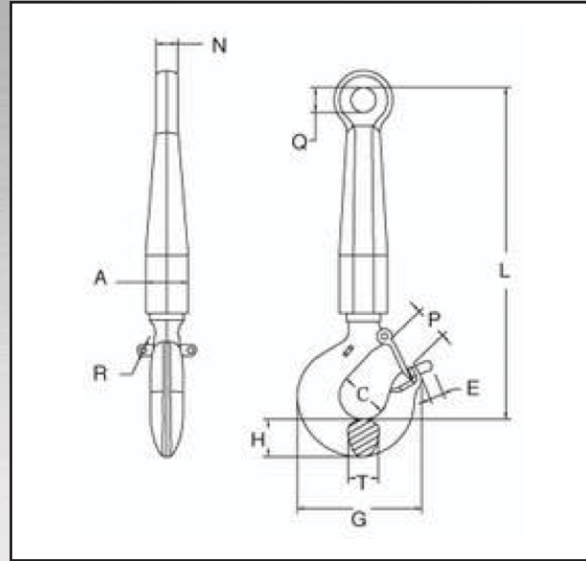


- ROV** shank hooks are designed specifically for ROV applications.
- ROV** shank hooks are manufactured with the highest quality steel available.
- ROV** shank hooks are individually stamped with the working load limit.
- ROV** shank hooks are proof tested to 2 times the working load limit – test certificates are provided.
- ROV** shank hooks are painted white to ensure ease of sight in water.

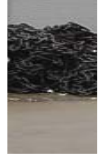
**\*Available soon in YELLOW for better visibility**

**Hook - Eye, ROV Shank, with Latch, Grade 80, Yoke<sup>®</sup>**

- Made in Holland
- Standard: EN 1677-2
- Material: Forged Steel
- Finish: Painted
- Design Factor: 4:1
- Identification: Trademark, Size/WLL, Batch Code
- Rated in Metric Ton(s)



WLL (t)	Spare Latch Kits		Dimensions (in)											Wt./ ea. (lb)	Price / ea.	Part Number
	Price / ea.	Part Number	A	N	C	T	P	G	R	E	H	Q	L			
5.4	STOCKED	28-P921-05	2.16	1.10	1.53	1.31	1.22	5.12	0.31	0.78	1.46	1.25	15.90	14.5	STOCKED	28-931-05
8.0	STOCKED	28-P921-07	2.16	1.10	1.94	1.66	1.54	6.54	0.31	0.78	1.82	1.25	16.81	16.8	STOCKED	28-931-08
11.5	STOCKED	28-P921-11	2.56	1.57	2.46	1.88	2.24	7.72	0.31	1.18	2.28	1.96	22.40	30.1	STOCKED	28-931-11
16.0	STOCKED	28-P921-15	2.56	1.57	2.59	2.19	2.44	8.70	0.31	1.18	2.60	1.96	23.07	35.7	STOCKED	28-931-16
22.0	STOCKED	28-P921-22	3.35	2.04	2.81	2.69	3.19	10.91	0.39	1.96	3.01	2.55	26.96	69.3	STOCKED	28-931-22
31.5	STOCKED	28-P921-30	3.35	2.04	3.44	3.00	3.27	13.90	0.39	1.96	3.62	2.55	28.66	96.3	STOCKED	28-931-32



## What makes the Sea Catch so revolutionary?

The Sea Catch Toggle Release is the simplest and most innovative design in quick release history. It is a device designed exclusively for safe release of a line or object under load.

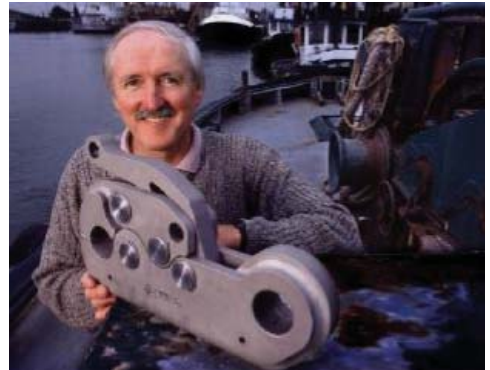
Its multi-purpose design offers a combination of features never seen before in a quick release: multi directional releasing capabilities, on-load and off-load releasing, a hitch pin safety lock to prevent inadvertent release, lanyard-style release for maximum user safety, parts made from aerospace-grade stainless plate, easy connection to common shackles, no springs, and a user friendly size.

The design anticipates reality: heavy sea conditions, corrosive marine environments, quick release kickback, inadvertent release, and the occasional shock and lock ups of unanticipated overload. The key to its success is the combination of a proven toggle linkage principal, low friction, computer generated parts, and a lot of thinking about its many uses and applications.

Quick releases have to be specific. Movie special effects, tug-tow operations, rescue launch deployment, anchors – each release poses a very different challenge. Sea Catch meets these challenges with models ranging from 1 to 600 ton capacities. Since 1994, Sea Catches have played significant roles in safe releasing operations in 14 major industries around the world. Some units have exceeded 5,000 cycles and are still in service. All feedback has been positive, nothing but praise from engineers and users worldwide.

Releasing an object under load need not be a daunting task any longer.

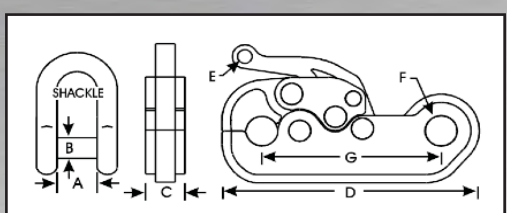
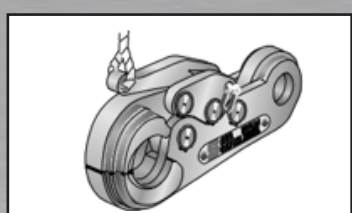
Release yourself of unnecessary hazards.



– Sea Catch inventor, John McMillan

Hooks

### Hook - Quick Release



Model No.	Shackle Size (in)	Dimensions (in)							WLL (lb)	Beak Load (lb)	Weight / ea. (lb)
		A	B	C	D	E	F	G			
TR3	1/4	0.47	0.31	0.41	2.85	0.18	0.37	1.96	1302	6510	0.31
TR5	7/16	0.75	0.50	0.69	4.50	0.25	0.55	3.13	3323	16 618	1.3
TR7	5/8	1.06	0.75	1.00	6.62	0.38	0.81	4.56	7042	35 210	4
TR8	3/4	1.25	0.87	1.19	7.68	0.43	0.93	5.53	9574	47 870	6.3
TR10	1	1.69	1.13	1.63	9.75	0.56	1.21	6.87	15 840	79 200	12.5
TR11	1 3/8	2.25	1.50	2.12	13.15	0.75	1.63	9.15	28 000	140 000	32
TR12	1 1/2	2.38	1.62	2.25	14.25	0.81	1.78	9.92	32 860	164300	40
TR15	1 3/4	2.88	2	2.75	17.56	1	2.16	12.21	50 200	251 000	69
TR16	2	3.25	2.25	3.13	19.73	1.12	2.46	13.75	63 380	316 900	108
TR17	2 1/2	4.15	2.75	3.88	24.13	1.37	3.01	16.81	94 740	473 700	197
TR18	3	5	3.25	4.75	30.79	1.75	3.85	21.43	154 240	771 200	360







YOKE® INTRODUCTION  
YOKE® CERTIFICATES  
YOKE® GRADE 100  
YOKE® GRADE 80  
YOKE® FALL ARREST





Forged Sockets (Grade 80)



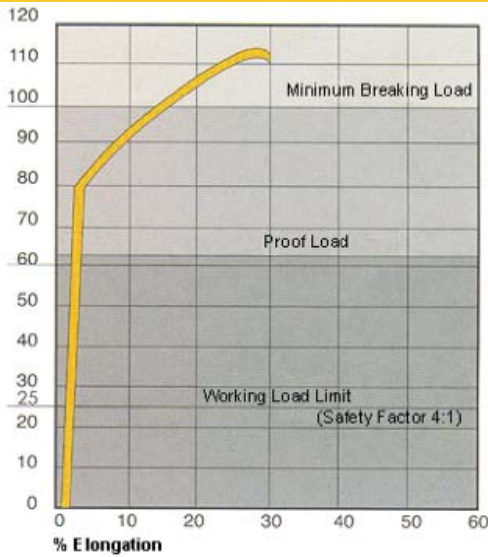
Forged Sockets (Grade 80)



Snatch Blocks



Grade 100



Sling Temperature	Reduction in WLL
-40°C to 200°C	None
200°C to 300°C	10%
300°C to 400°C	25%
Above 400°C	Do not use.

**Spectrographic Analysis:**

To assure the proper metallurgy content of all raw materials.

**Magnaflux Crack Detection:**

All forged chain components are each individually magnafluxed to detect any irregularities after heat treatment.

**Eddy Current Detection:**

All load pins are 100% individually inspected and tested after heat treatment.

**Ultrasonic Detection:**

Forged Hooks or Links size 22mm or larger, have ultrasonic detection to avoid any internal cracking. Certificate available on request.

**Manufacturing Proof Load Test:**

All chain and components are proof load tested at 2.5 times the working load limits with resultant permanent deformation within 1%.

**Dynamic Fatigue Testing:**

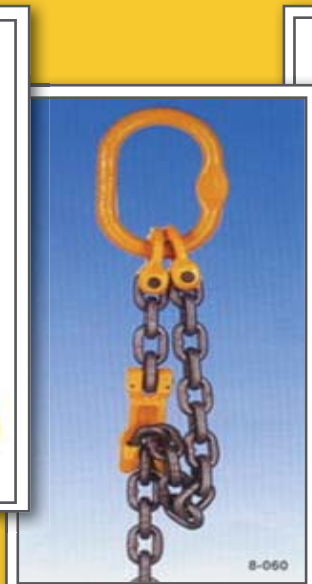
Batch samples of chain and components are Dynamic Fatigue Tested at 1.5 times the working load limit for 20,000 cycles.

**Ultimate breaking load test:**

Batch samples of Chain and Components are break load tested in a static tensile testing machine to ultimate failure. The minimum ultimate break force is equal to the Working Load Limit times the safety factor, (a minimum of 4 times the working load and up to 6 times based on the item).

**Limitation on Use:**

Yoke slings may be used at temperatures between -40°C to 200°C with no reduction in the working load limit. The use of YOKE chain slings within the permissible temperature range in the table below does not require any permanent reduction in working load limit when the chain sling is returned to normal temperatures. A sling accidentally exposed to temperatures in excess of the maximum permissible should be withdrawn from service immediately.



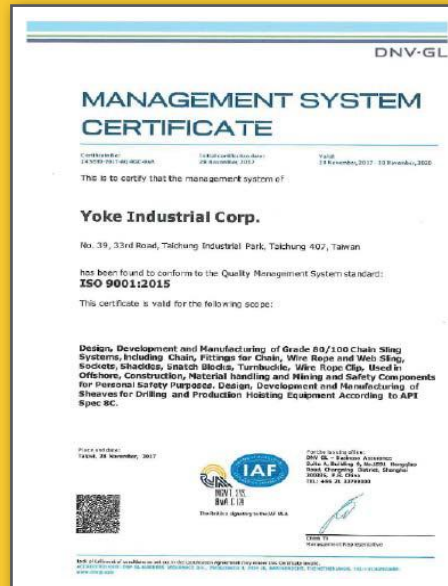
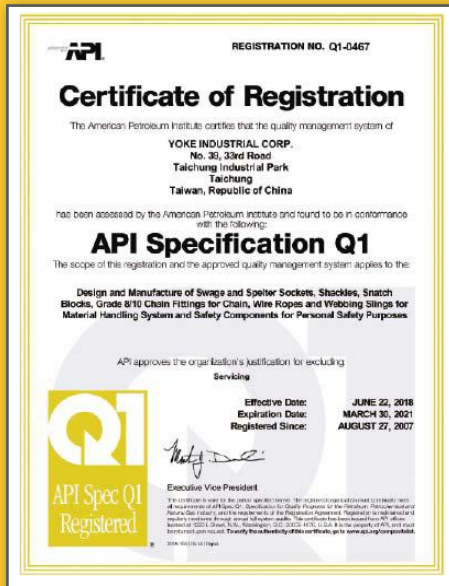
**WARNING**

NEVER EXCEED PUBLISHED WORKING LOAD LIMIT



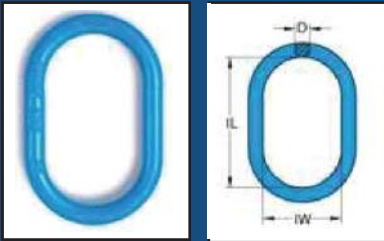
## WORLDWIDE QUALITY TYPE APPROVAL AND CERTIFICATES: ALL YOKE® PRODUCTS MEET OR EXCEED ASME B30 REQUIREMENTS

Yoke® Certification





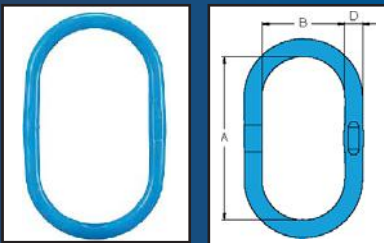
**Link - Master Link, Forged, Grade 100**



- Material: Alloy Steel, Grade 100
- Standard: EN 1677-4 / ASTM A952/952M
- Finish: Powder Coated, Blue
- Design Factor: 5:1
- Identification: Trademark, Size/WLL, Batch Code, Grade

Trade Size (in)	WLL (lb)	Chain Size (in)		I.L. (in)	I.W. (in)	Dia. (in)	Wt./ea. (lb)	Qty. / Box	Standard X-003	
		1-Leg	2-Leg						Price / ea.	Part Number
1/2	7400	*1/4 - 5/16	*7/32	4.72	2.76	0.55	1.1	50	STOCKED	28-X-1/2"ML
5/8	9000	*3/8	*1/4 - *5/16	5.51	3.15	0.67	1.6	30	STOCKED	28-X-5/8"ML
3/4	12 300	*1/2	-	5.91	3.54	0.75	2.4	20	STOCKED	28-X-3/4"ML
7/8	15 200	*1/2	*3/8	6.30	3.74	0.87	3.5	16	STOCKED	28-X-7/8"ML
1	26 000	*5/8	-	7.48	4.33	0.98	5.1	7	STOCKED	28-X-1"ML
1 1/8	30 000	*5/8	*1/2	7.09	4.13	1.10	5.9	8	STOCKED	28-X-1-1/8"ML
1 1/4	39 100	*3/4	-	7.87	4.72	1.18	7.6	5	STOCKED	28-X-1-1/4"ML
1 3/8	42 000	*7/8	*5/8	9.45	5.51	1.34	11.7	4	STOCKED	28-X-1-3/8"ML
1 1/2	61 100	*1	-	9.84	5.91	1.50	15.8	3	STOCKED	28-X-1-1/2"ML

**Link - Enlarged, Master Link, Welded, Grade 100**

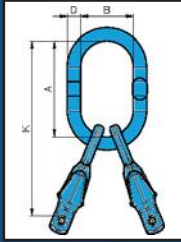


- Material: Alloy Steel, Grade 100
- Standard: EN 1677-4 / ASTM A952/952M
- Finish: Powder Coated, Blue
- Design Factor: (see below)
- Identification: Trademark, Size/WLL, Batch Code, Grade

Trade Size (in)	WLL (lb) 5:1	WLL (lb) 4:1	Chain Size (in) 1-Leg	Chain Size (in) 2-Leg	Dimensions (in)			Wt./ea. (lb)	Qty. / Box	Standard X-003	
					D	A	B			Price / ea.	Part Number
7/8	17 600	22 000	1/2	3/8	0.87	13.39	7.09	7.1	5	STOCKED	28-X-0080-22
1 1/8	30 000	37 500	5/8	1/2	1.10	13.39	7.09	10.4	4	STOCKED	28-X-0080-28
1 1/4	45 400	56 800	3/4	5/8	1.26	13.39	7.09	13.7	3	STOCKED	28-X-0080-32
1 5/8	55 100	68 900	7/8	3/4	1.57	13.39	7.09	22.0	3	STOCKED	28-X-0080-40

Yoke® Grade 100

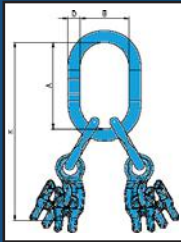
## Link - Master Link Assembly, with 2x GrabEX Hooks, Grade 100



- Material: Alloy Steel, Grade 100
- Standard: EN 1677 / ASTM A952/952M
- Finish: Powder Coated, Blue
- Design Factor: (see below)
- Identification: Trademark, Size/WLL, Batch Code, Grade

WLL (lb) 5:1 @ 45°	WLL (lb) 4:1 @ 45°	Chain Size (in)	Dimensions (in)				Wt./ea. (lb)	Qty. / Box	Standard X-003	
			D	A	B	K			Price / ea.	Part Number
6 500	8 100	*5/16	0.75	6.30	3.74	10.31	4.8	10	STOCKED	28-X-A05-08
9 900	12 400	*3/8	0.87	6.69	4.13	11.61	8.3	6	STOCKED	28-X-A05-10
17 000	21 200	*1/2	1.10	7.48	4.33	13.70	15.4	3	STOCKED	28-X-A05-13
25 600	32 000	*5/8	1.26	9.06	5.12	16.99	29.8	2	STOCKED	28-X-A05-16

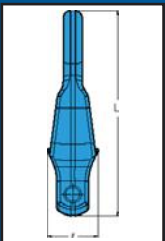
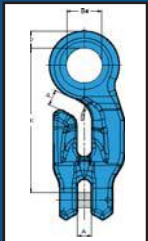
## Link - Master Link Assembly, with 4x GrabEX Hooks, Grade 100



- Material: Alloy Steel, Grade 100
- Standard: EN 1677 / ASTM A952/952M
- Finish: Powder Coated, Blue
- Design Factor: (see below)
- Identification: Trademark, Size/WLL, Batch Code, Grade

WLL (lb) 5:1 @ 45°	WLL (lb) 4:1 @ 45°	Chain Size (in)	Dimensions (in)				Wt./ea. (lb)	Qty. / Box	Standard X-003	
			D	A	B	K			Price / ea.	Part Number
9 700	12 100	*5/16	0.87	6.69	4.13	12.05	10.1	2	STOCKED	28-X-A06-08
15 000	18 700	*3/8	1.10	7.48	4.33	13.98	17.8	2	STOCKED	28-X-A06-10
25 400	31 800	*1/2	1.26	9.06	5.12	17.24	34.8	1	STOCKED	28-X-A06-13
38 300	47 900	*5/8	1.50	10.83	5.91	21.34	63.6	1	STOCKED	28-X-A06-16

## Hook - Clevis, Eye, GrabEX, Grade 100



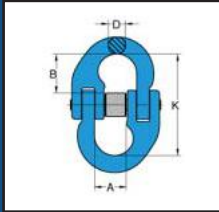
- Material: Alloy Steel, Grade 100
- Standard: EN 1677-1 / ASTM A952/952M
- Finish: Powder Coated, Blue
- Design Factor: (see below)
- Identification: Trademark, Size/WLL, Batch Code, Grade

WLL (lb) 5:1	WLL (lb) 4:1	Trade Size (in)	Dimensions (in)							Wt./ea. (lb)	Qty. / Box	Standard X-003	
			A	B	D	F	K	L	P			Price / ea.	Part Number
4 600	5 700	9/32 - 5/16	0.39	0.94	0.51	1.26	4.02	5.28	0.47	1.2	30	STOCKED	28-X-079-07
7 000	8 800	3/8	0.47	1.22	0.55	1.57	4.92	6.42	0.58	2.3	20	STOCKED	28-X-079-10
12 000	15 000	1/2	0.63	1.46	0.71	2.01	6.22	8.19	0.79	4.8	10	STOCKED	28-X-079-13
18 100	22 600	5/8	0.75	1.89	0.94	2.52	7.95	10.39	0.83	9.7	4	STOCKED	28-X-079-16

Yoke® Grade 100



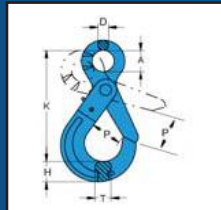
**Link - Coupling, Connecting, Grade 100**



- Material: Alloy Steel, Grade 100
- Standard: EN 1677-1 / ASTM A952/952M
- Finish: Powder Coated, Blue
- Design Factor: 4:1
- Identification: Trademark, Size/WLL, Batch Code, Grade

Grade 100 Chain (in)	WLL (lb)	Dimensions (in)				Wt./ea. (lb)	Qty. / Box	Price / ea.	Part Number
		A	B	D	K				
9/32	5 700	0.71	0.81	0.42	2.32	0.4	150	STOCKED	28-X-7-8CL
3/8	8 800	0.98	1.10	0.53	2.72	0.7	50	STOCKED	28-X-10CL
1/2	15 000	1.18	1.50	0.63	3.62	1.5	35	STOCKED	28-X-13CL
5/8	22 600	1.42	1.61	0.75	3.98	2.6	20	STOCKED	28-X-16CL
3/4	35 300	1.65	1.97	0.91	4.80	4.2	12	STOCKED	28-X-18-20CL
7/8	42 700	1.93	2.48	0.95	5.98	7.7	6	STOCKED	28-X-22CL
1	59 700	2.17	2.60	1.18	6.38	11.7	3	STOCKED	28-X-26CL
1-1/4	90 400	2.72	3.35	1.42	7.99	20.5	2	STOCKED	28-X-32CL

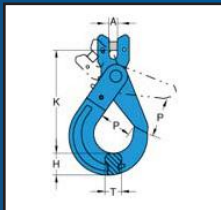
**Hook - Eye, Self-Locking, Grade 100**



- Material: Alloy Steel, Grade 100
- Standard: EN 1677-3 / ASTM A952/952M
- Finish: Powder Coated, Blue
- Design Factor: 4:1
- Identification: Trademark, Size/WLL, Batch Code, Grade

Grade 100 Chain (in)	WLL (lb)	Dimensions (in)						Wt./ea. (lb)	Qty. / Box	Price / ea.	Part Number
		A	D	H	K	P	T				
1/4 - 5/16	5700	0.98	0.43	1.02	5.35	1.34	0.79	1.8	20	STOCKED	28-X-7-8SLEH
3/8	8800	1.26	0.51	1.24	6.57	1.73	1.02	3.3	15	STOCKED	28-X-10SLEH
1/2	15 000	1.57	0.63	1.65	8.15	2.01	1.18	6.6	8	STOCKED	28-X-13SLEH
5/8	22 600	1.97	0.83	2.20	9.92	2.36	1.42	12.5	4	STOCKED	28-X-16SLEH
3/4	35 300	2.36	0.91	2.56	11.42	2.76	2.09	22.2	2	STOCKED	28-X-18-20SLEH
7/8	42 700	2.76	0.94	2.80	12.56	3.15	1.93	24.0	2	STOCKED	28-X-22SLEH

**Hook - Clevis, Self-Locking, Grade 100**

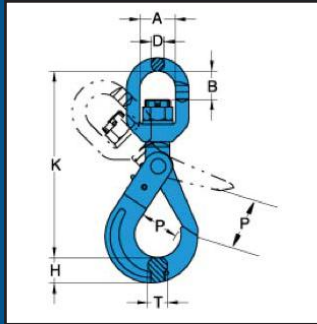


- Material: Alloy Steel, Grade 100
- Standard: EN 1677-3 / ASTM A952/952M
- Finish: Powder Coated, Blue
- Design Factor: 4:1
- Identification: Trademark, Size/WLL, Batch Code, Grade

Grade 100 Chain	WLL (lb)	Dimensions (in)				Wt./ea. (lb)	Qty. / Box	Price / ea.	Part Number
		H	K	P	T				
1/4 - 5/16	5700	1.02	4.69	1.34	0.79	1.8	25	STOCKED	28-X-7-8SLCH
3/8	8800	1.34	5.59	1.73	1.02	3.1	15	STOCKED	28-X-10SLCH
1/2	15 000	1.65	7.01	2.01	1.18	6.2	8	STOCKED	28-X-13SLCH
5/8	22 600	2.00	8.39	2.36	1.42	12.3	4	STOCKED	28-X-16SLCH
3/4	35 300	2.56	9.61	2.76	2.09	19.8	2	STOCKED	28-X-18-20SLCH
7/8	42 700	2.80	10.75	3.15	1.93	24.0	2	STOCKED	28-X-22SLCH



**Hook - Swivel, Self-Locking, with Brass Bushing, Grade 100**

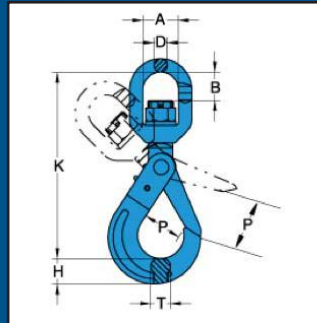


- Material: Alloy Steel, Grade 100
- Standard: EN 1677-3 / ASTM A952/952M
- Finish: Powder Coated, Blue
- Design Factor: 4:1
- Identification: Trademark, Size/WLL, Batch Code, Grade



Grade 100 Chain (in)	WLL (lb)	Dimensions (in)							Wt./ea. (lb)	Qty. / Box	Brass Bushing	
		A	B	D	H	K	P	T			Price / ea.	Part Number
1/4-5/16	5700	1.42	1.14	0.51	1.02	7.32	1.34	0.79	2.4	20	STOCKED	28-X-7-8SSLH
3/8	8800	1.61	1.34	0.63	1.34	8.58	1.73	1.02	4.4	12	STOCKED	28-X-10SSLH
1/2	15 000	1.81	1.69	0.83	1.50	10.87	2.01	1.18	8.8	6	STOCKED	28-X-13SSLH
5/8	22 600	2.40	2.19	0.91	1.97	13.15	2.36	1.42	15.0	3	STOCKED	28-X-16SSLH
3/4	35 300	3.40	3.50	0.98	2.56	15.85	2.76	1.93	27.8	2	STOCKED	28-X-18-20SSLH
7/8	42 700	3.82	3.74	1.30	2.50	17.99	3.15	2.09	39.6	1	STOCKED	28-X-22SSLH
1	59 700	4.84	4.53	2.01	3.11	21.06	3.90	2.20	69.3	1	STOCKED	28-X-26SSLH

**Hook - Swivel, Self-Locking, with Ball Bearing, Grade 100**



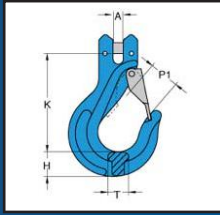
- Material: Alloy Steel, Grade 100
- Standard: EN 1677-3 / ASTM A952/952M
- Finish: Powder Coated, Blue
- Design Factor: 4:1
- Identification: Trademark, Size/WLL, Batch Code, Grade



Grade 100 Chain (in)	WLL (lb)	Dimensions (in)							Wt./ea. (lb)	Qty. / Box	Ball Bearing	
		A	B	D	H	K	P	T			Price / ea.	Part Number
5/8	22 600	2.40	2.19	0.91	2.00	12.95	2.36	1.42	15.0	3	STOCKED	28-X-16SWBB
3/4	35 300	2.91	3.23	0.98	2.56	15.24	2.76	1.93	27.8	2	STOCKED	28-X-18-20SWBB
7/8	42 700	3.82	3.74	1.30	2.80	17.99	3.15	2.09	39.6	1	STOCKED	28-X-22SWBB



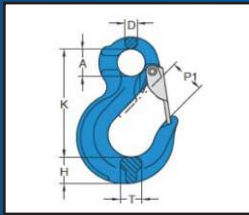
**Hook - Clevis, Sling, Grade 100**



- Material: Alloy Steel, Grade 100
- Standard: EN 1677-5 / ASTM A952/952M
- Finish: Powder Coated, Blue
- Design Factor: 4:1
- Identification: Trademark, Size/WLL, Batch Code, Grade

Grade 100 Chain (in)	WLL (lb)	Spare Latch Kit		Dimensions (in)					Wt./ea. (lb)	Qty. / Box	Price / ea.	Part Number
		Price / ea.	Part Number	A	H	K	P1	T				
9/32	5700	STOCKED	28-7-8LK	0.39	0.87	3.86	1.21	0.71	1.3	40	STOCKED	28-X-7-8CSH
3/8	8800	STOCKED	28-10LK	0.43	1.18	4.80	1.50	0.94	2.4	15	STOCKED	28-X-10CSH
1/2	15 000	STOCKED	28-13LK	0.59	1.46	5.79	1.73	1.18	5.1	10	STOCKED	28-X-13CSH
5/8	22 600	STOCKED	28-16LK	0.71	1.65	6.54	1.89	1.54	8.6	6	STOCKED	28-X-16CSH
3/4	35 300	STOCKED	28-18-20LK	0.87	2.52	8.15	2.24	1.89	18.9	3	STOCKED	28-X-18-20CSH

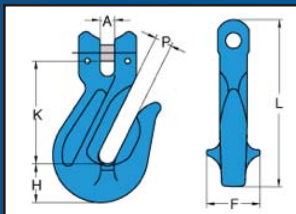
**Hook - Eye, Sling, Grade 100**



- Material: Alloy Steel, Grade 100
- Standard: EN 1677-5 / ASTM A952/952M
- Finish: Powder Coated, Blue
- Design Factor: 4:1
- Identification: Trademark, Size/WLL, Batch Code, Grade

Grade 100 Chain (in)	Spare Latch Kit		WLL (lb)	Dimensions (in)						Wt./ea. (lb)	Qty. / Box	Price / ea.	Part Number
	Price / ea.	Part Number		K	P1	A	D	T	H				
9/32	STOCKED	28-7-8LK	5700	3.86	1.10	0.98	0.47	0.79	0.91	1.1	50	STOCKED	28-X-7-8ESH
3/8	STOCKED	28-10LK	8800	4.76	1.42	1.26	0.59	0.91	1.22	2.0	25	STOCKED	28-X-10ESH
1/2	STOCKED	28-13LK	15 000	5.98	1.88	1.57	0.71	1.06	1.50	3.5	12	STOCKED	28-X-13ESH
5/8	STOCKED	28-16LK	22 600	7.28	1.73	1.97	0.87	1.26	1.77	6.8	6	STOCKED	28-X-16ESH
7/8	STOCKED	28-22LK	42 700	9.65	2.99	2.01	1.22	2.05	2.48	20.5	3	STOCKED	28-X-22ESH

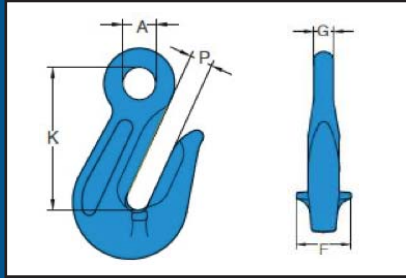
**Hook - Clevis, Grab, Grade 100**



- Material: Alloy Steel, Grade 100
- Standard: EN 1677-1 / ASTM A952/952M
- Finish: Powder Coated, Blue
- Design Factor: 4:1
- Identification: Trademark, Size/WLL, Batch Code, Grade

Grade 100 Chain (in)	WLL (lb)	Dimensions (in)						Wt./ea. (lb)	Qty. / Box	Price / ea.	Part Number
		A	F	H	K	L	P				
1/4 - 5/16	5700	0.39	1.18	0.87	2.09	3.66	0.39	0.7	70	STOCKED	28-X-7-8CGH
3/8	8800	0.43	1.61	1.14	3.03	5.04	0.51	1.8	30	STOCKED	28-X-10CGH
1/2	15 000	0.59	2.05	1.50	3.90	6.50	0.67	3.5	15	STOCKED	28-X-13CGH
5/8	22 600	0.71	2.24	1.77	4.49	7.68	0.83	5.9	10	STOCKED	28-X-16CGH
3/4	35 300	0.87	2.87	2.05	5.12	8.74	0.91	10.1	5	STOCKED	28-X-18-20CGH

## Hook - Eye, Grab, Grade 100

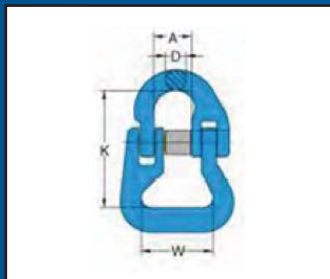


- Material: Alloy Steel, Grade 100
- Standard: EN 1677-1 / ASTM A952/952M
- Finish: Powder Coated, Blue
- Design Factor: 4:1
- Identification: Trademark, Size/WLL, Batch Code, Grade



Grade 100 Chain (in)	WLL (lb)	Dimensions (in)					Wt./ea. (lb)	Qty. / Box	Price / ea.	Part Number
		P	A	G	K	F				
7/8	42 700	1.02	1.50	1.02	6.46	2.76	10.1	5	STOCKED	28-X-22EGH

## Link - Round Sling Connector, Grade 100

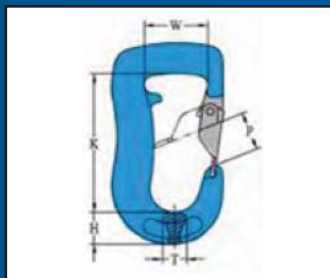


- Material: Alloy Steel, Grade 100
- Standard: EN 1677-1 / ASTM A952/952M
- Finish: Powder Coated, Blue
- Design Factor: 4:1
- Identification: Trademark, Size/WLL, Batch Code, Grade



Grade 100 Chain (in)	WLL (lb)	Dimensions (in)				Wt./ea. (lb)	Qty. / Box	Price / ea.	Part Number
		A	D	K	W				
1/2	15 000	1.19	0.62	3.74	2.09	2.4	25	STOCKED	28-X-016-13
5/8	22 600	1.42	0.75	4.53	2.64	4.4	12	STOCKED	28-X-016-16
3/4	35 300	1.65	0.87	5.20	3.15	7.1	8	STOCKED	28-X-016-20

## Hook - Round Sling, Grade 100



- Material: Alloy Steel, Grade 100
- Standard: EN 1677-2 / ASTM A952/952M
- Finish: Powder Coated, Yellow (3 t), Green (2 t), Purple (1 t)
- Design Factor: 4:1
- Identification: Trademark, Size/WLL, Batch Code, Grade

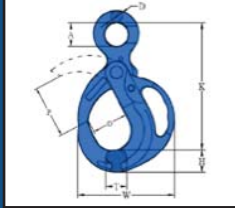


Size (t)	WLL (lb)	Dimensions (in)					Wt./ea. (lb)	Qty. / Box	Price / ea.	Part Number
		K	P	W	T	H				
1	2200	3.50	0.98	1.69	0.59	0.79	1.5	30	STOCKED	28-X-032-01
2	4400	4.57	1.18	2.09	0.79	1.06	3.3	15	STOCKED	28-X-032-02
3	6600	4.69	1.26	2.52	1.02	1.26	5.3	10	STOCKED	28-X-032-03



- Grade 100 X-950 series self-locking eye hook with grip for easy hook up and protected trigger
- Embossed with Product Identification Code (PIC) for material traceability, along with size and name +“YOKE”
- Design factor 4:1 proof tested and certified
- Patent pending

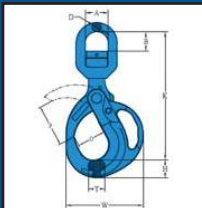
**Hook - Eye, Self-Locking, Grip, Grade 100**



- Material: Alloy Steel, Grade 100
- Standard: EN 1677-3 / ASTM A952/952M
- Finish: Powder Coated, Blue
- Design Factor: 4:1
- Identification: Trademark, Size/WLL, Batch Code, Grade

Grade 100 Chain (in)	WLL (lb)	Wt./ea. (lb)	Dimensions (in)								Price / ea.	Part Number
			K	W	P	O	A	T	D	H		
3/8	8800	4.19	6.89	5.47	2.80	1.93	1.26	1.06	0.51	1.22	STOCKED	28-X-950-10
1/2	15 000	6.61	8.94	6.85	4.15	2.54	1.57	1.24	0.63	1.54	STOCKED	28-X-950-13
5/8	22 600	13.89	10.91	8.35	4.95	3.07	1.97	1.54	0.83	1.85	STOCKED	28-X-950-16
3/4	35 300	25.79	12.95	9.84	5.90	3.70	2.36	2.13	0.91	2.20	STOCKED	28-X-950-20
7/8	42 700	31.96	13.78	10.40	6.39	3.85	2.76	2.20	1.15	2.32	STOCKED	28-X-950-22

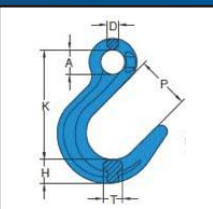
**Hook - Swivel, Self-Locking, Grip, Grade 100**



- Material: Alloy Steel, Grade 100
- Standard: EN 1677-3 / ASTM A952/952M
- Finish: Powder Coated, Blue
- Design Factor: 4:1
- Identification: Trademark, Size/WLL, Batch Code, Grade
- Performs to fully swivel under load.

Grade 100 Chain (in)	WLL (lb)	Wt./ea. (lb)	Dimensions (in)								Price / ea.	Part Number	
			K	W	P	O	A	B	T	D			H
3/8	8800	5.29	8.86	5.47	2.80	1.93	1.61	1.34	1.06	0.63	1.22	STOCKED	28-X-952N-10
1/2	15 000	11.46	11.32	6.85	3.95	2.50	1.81	1.73	1.34	0.83	1.54	STOCKED	28-X-952N-13
5/8	22 600	18.51	13.80	8.35	4.69	3.07	2.40	1.97	1.33	0.91	1.85	STOCKED	28-X-952N-16
3/4	35 300	31.96	17.05	9.84	5.60	3.58	2.91	3.23	1.79	0.98	2.20	STOCKED	28-X-952N-20
7/8	42 700	43.86	19.15	10.24	5.94	4.13	3.82	3.74	2.20	1.30	2.32	STOCKED	28-X-952N-22

**Hook - Eye, Foundry, Grade 100**



- Material: Alloy Steel, Grade 100
- Standard: EN 1677-1 / ASTM A952/952M
- Finish: Powder Coated, Blue
- Design Factor: 4:1
- Identification: Trademark, Size/WLL, Batch Code, Grade

Grade 100 Chain (in)	WLL (lb)	Dimensions (in)						Wt./ea. (lb)	Qty. / Box	Price / ea.	Part Number
		K	P	A	D	T	H				
3/8	8800	5.87	2.91	1.26	0.59	0.91	1.26	3.5	15	STOCKED	28-X-3/8FEH
1/2	15 000	7.09	3.46	1.57	0.75	1.26	1.54	5.5	10	STOCKED	28-X-1/2FEH
5/8	22 600	8.39	3.86	1.97	0.98	1.61	1.85	9.7	6	STOCKED	28-X-5/8FEH
3/4	35 300	9.76	4.45	2.36	1.02	1.81	2.24	20.5	3	STOCKED	28-X-3/4FEH

## Hook - Kit, Self-Locking Recessed Trigger Kit, Grade 80/100



For Grade 80/100 Self-Locking Hooks

Grade 80/100 (in)	Price / ea.	Part Number
3/4	STOCKED	28-18-20TKR
1	STOCKED	28-26TKR
1-1/8	STOCKED	28-28TKR

## Hook - Kit, Self-Locking Trigger Kit, Grade 100



For Grade 100 Self-Locking Hooks

Size (in)	Trigger Kit	
	Price / ea.	Part Number
1/4 - 5/16	STOCKED	28-7-8TK
3/8	STOCKED	28-10TK
1/2	STOCKED	28-13TK
5/8	STOCKED	28-16TK
3/4	STOCKED	28-X-18-20TK
7/8	STOCKED	28-22TK
1	STOCKED	28-26TK

## Hook - Kit, Clevis, Load Pin Kit, Grade 100



For Grade 100 Clevis Hooks

Grade 100 Size (in)	WLL (lb)	Spare Pin Kit	
		Price / ea.	Part Number
9/32	5700	STOCKED	28-X-7-8LPK
3/8	8800	STOCKED	28-X-10LPK
1/2	15 000	STOCKED	28-X-13LPK
5/8	22 600	STOCKED	28-X-16LPK
3/4	35 300	STOCKED	28-X-18-20LPK
7/8	42 700	STOCKED	28-X-22LPK

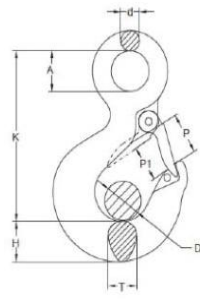
## Link - Kit, Connecting, Pin & Sleeve Kit, Grade 100



For Grade 100 Connecting Links, Needed for coupling assemblies

Grade 100 Size (in)	WLL (lb)	Price / ea.	Part Number
1/4 ~ 5/16	5700	STOCKED	28-X-7-8CLP
3/8	8800	STOCKED	28-X-10CLP
1/2	15 000	STOCKED	28-X-13CLP
5/8	22 600	STOCKED	28-X-16CLP
3/4	35 300	STOCKED	28-X-18-20CLP
7/8	42 700	STOCKED	28-X-22CLP
1	59 700	STOCKED	28-X-26CLP
1 1/4	90 400	STOCKED	28-X-32CLP

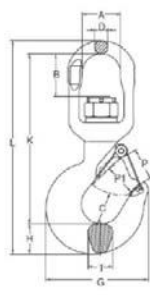
**Hook - Eye, Hoist, Grade 100**



- Material: Alloy Steel, Grade 100
- Standard: EN 1677-5 / ASTM A952/952M
- Finish: Powder Coated, Blue
- Design Factor: 5:1
- Identification: Trademark, Size/WLL, Batch Code, Grade
- Rated in Metric Ton(s)

WLL (t)	Latch Kits		Dimensions (in)								Wt./ea. (lb)	Price / ea.	Part Number
	Price/ea.	Part Number	A	D	d	H	K	P	P1	T			
1.5	STOCKED	28-1.5TLK	0.91	0.75	0.43	0.83	3.74	1.02	.075	0.67	0.9	STOCKED	28-1.5TEHH
2	STOCKED	28-2TLK	1.14	0.79	0.51	1.02	4.17	1.10	0.79	0.83	1.5	STOCKED	28-2TEHH
3	STOCKED	28-3TLK	1.26	0.98	0.59	1.14	4.80	1.22	0.98	0.95	2.0	STOCKED	28-3TEHH
5	STOCKED	28-5TLK	1.57	1.22	0.71	1.46	5.87	1.45	1.22	1.22	4.4	STOCKED	28-5TEHH
7	STOCKED	28-7TLK	2.00	1.54	0.95	1.85	7.56	1.81	1.54	1.46	8.8	STOCKED	28-7TEHH
11	STOCKED	28-11TLK	2.44	2.24	1.10	2.28	9.13	2.40	2.24	1.89	15.4	STOCKED	28-11TEHH
15	STOCKED	28-15TLK	2.84	2.44	1.26	2.60	10.10	2.68	2.44	2.20	20.7	STOCKED	28-15TEHH
22	STOCKED	28-22TLK	3.54	3.19	1.57	3.00	12.50	3.62	3.19	2.68	41.1	STOCKED	28-22TEHH
30	STOCKED	28-30TLK	3.54	3.27	1.77	3.66	14.10	3.50	3.27	2.99	68.9	STOCKED	28-30TEHH

**Hook - Swivel, Hoist, Grade 100**



- Material: Alloy Steel, Grade 100
- Standard: EN 1677-5 / ASTM A952/952M
- Finish: Powder Coated, Blue
- Design Factor: 5:1
- Identification: Trademark, Size/WLL, Batch Code, Grade
- Rated in Metric Ton(s)

WLL (t)	Latch Kits		Dimensions (in)											Wt./ea. (lb)	Price / ea.	Part Number
	Price/ea.	Part #	A	B	C	D	G	H	K	L	P	P1	T			
1.5	STOCKED	28-1.5TLK	1.26	0.91	0.97	0.45	3.15	0.84	4.96	6.23	0.95	0.75	0.71	1.5	STOCKED	28-1.5TSWLHH
2	STOCKED	28-2TLK	1.42	1.14	1.03	0.49	3.66	1.00	5.63	7.15	1.06	0.79	0.88	2.2	STOCKED	28-2TSWLHH
3	STOCKED	28-3TLK	1.62	1.38	1.16	0.63	4.02	1.13	7.73	8.36	1.22	0.98	0.95	3.3	STOCKED	28-3TSWLHH
5	STOCKED	28-5TLK	1.83	1.73	1.53	0.83	5.14	1.41	8.32	10.58	1.42	1.22	1.22	7.0	STOCKED	28-5TSWLHH
7	STOCKED	28-7TLK	2.40	1.99	1.94	0.89	6.60	1.82	10.18	12.92	1.77	1.54	1.42	12.5	STOCKED	28-7TSWLHH
11	STOCKED	28-11TLK	2.92	3.25	2.46	0.99	7.72	2.28	12.84	16.11	2.40	2.24	1.89	20.9	STOCKED	28-11TSWLHH
15	STOCKED	28-15TLK	3.83	3.78	2.59	1.30	8.70	2.53	14.64	18.55	2.83	2.44	2.20	36.3	STOCKED	28-15TSWLHH
22	STOCKED	28-22TLK	4.83	4.55	2.81	1.64	10.91	3.00	18.42	23.58	3.39	3.19	2.69	73.5	STOCKED	28-22TSWLHH
30	STOCKED	28-30TLK	4.83	4.24	3.44	1.64	13.90	3.60	19.67	25.63	3.50	3.27	3.00	101	STOCKED	28-30TSWLHH

Yoke® Grade 100

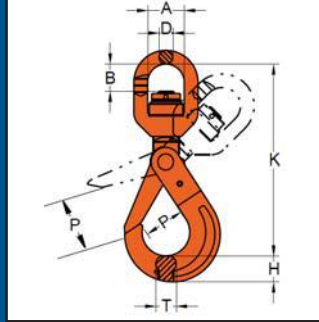


**DNV GL-ST-0378**

**(Offshore Crane- Lifting Appliance)**

DNV GL-ST0378: Standard for offshore and platform lifting appliances.  
 Yoke Type Approval No.: TAS000011K  
 Temperature Range: -40° (Extreme Offshore Cold Weather)

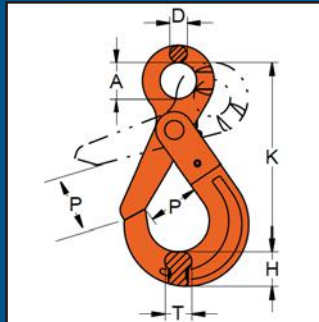
## Hook - Swivel, Self-Locking, with Ball Bearing, Grade 80, DNV



- Material: Alloy Steel, Grade 80
- Standard: EN 1677-3 / ASTM A952/952M, Norsok R002, DNV GL-ST-0378
- Finish: Powder Coated, Orange
- Design Factor: 4:1
- Identification: Trademark, Size/WLL, Batch Code, Grade

WLL 5:1 (lb)	WLL 4:1 (lb)	Dimensions (in)							Wt./ea. (lb)	Ball Bearing	
		A	B	D	H	K	P	T		Price / ea.	Part Number
12 000	14 800	2.40	1.97	0.91	1.54	11.14	2.01	1.18	11	Pricing on Request	28-DA-027N-13W
17 600	22 000	2.91	3.23	0.98	1.93	14.21	2.36	1.42	13		28-DA-027N-16W
28 200	35 300	2.91	3.23	0.98	2.56	15.24	2.76	2.09	29		28-DA-027N-20
33 500	41 900	3.82	3.74	1.30	2.48	17.99	3.15	1.93	44		28-DA-027N-22
46 700	58 400	4.84	4.53	1.65	2.72	21.06	3.90	2.20	72		28-DA-027N-26

## Hook - Eye, Self-Locking, Grade 80, DNV

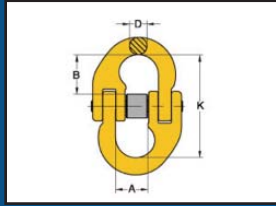


- Material: Alloy Steel, Grade 80
- Standard: EN 1677-3 / ASTM A952/952M, Norsok R002, DNV GL-ST-0378
- Finish: Powder Coated, Orange
- Design Factor: 4:1
- Identification: Trademark, Size/WLL, Batch Code, Grade

WLL 5:1 (lb)	WLL 4:1 (lb)	Dimensions (in)						Wt./ea. (lb)	Ball Bearing	
		A	D	H	K	P	T		Price / ea.	Part Number
12 000	14 800	1.57	0.63	1.54	8.15	2.01	1.18	6.6	Pricing on Request	28-DA-025-13
17 600	22 000	1.97	0.83	1.93	9.92	2.36	1.42	12.8		28-DA-025-16
28 200	35 300	2.36	0.91	2.56	11.42	2.76	2.09	22.0		28-DA-025-20
33 500	41 900	2.76	0.94	2.48	12.56	3.15	1.93	27.5		28-DA-025-22
46 700	58 400	3.15	0.98	2.72	13.50	3.90	2.20	33.0		28-DA-025-26

Yoke® Grade 80

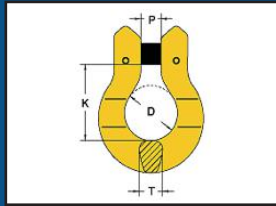
**Link - Coupling, Connecting, Grade 80**



- Material: Alloy Steel, Grade 80
- Standard: EN 1677-1
- Finish: Powder Coated, Yellow
- Design Factor: 4:1
- Identification: Trademark, Size/WLL, Batch Code, Grade

Grade 80 Chain (in)	WLL (lb)	Dimensions (in)				Wt./ea. (lb)	Qty. / Box	Price / ea.	Part Number
		A	B	D	K				
9/32	4500	0.71	0.89	0.35	2.25	0.4	150	STOCKED	28-7-8CL
3/8	7100	0.99	1.06	0.50	2.68	0.7	50	STOCKED	28-10CL
1/2	12 000	1.19	1.38	0.62	3.58	1.5	35	STOCKED	28-13CL
5/8	18 100	1.42	1.51	0.75	3.94	2.4	20	STOCKED	28-16CL
3/4	28 300	1.65	1.81	0.87	4.80	4.2	10	STOCKED	28-18-20CL
7/8	34 200	1.93	2.32	0.94	5.98	6.6	6	STOCKED	28-22CL
1	47 700	2.17	2.44	1.19	6.38	10.4	3	STOCKED	28-26CL
1 1/4	72 300	2.72	3.11	1.42	7.96	19.4	2	STOCKED	28-32CL

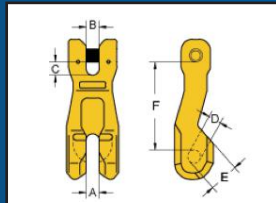
**Link - Omega, Grade 80**



- Material: Alloy Steel, Grade 80
- Standard: EN 1677-1
- Finish: Powder Coated, Yellow
- Design Factor: 4:1
- Identification: Trademark, Size/WLL, Batch Code, Grade

Grade 80 Chain (in)	WLL (lb)	Dimensions (in)				Wt./ea. (lb)	Qty. / Box	Price / ea.	Part Number
		D	K	P	T				
1/4 - 5/16	4500	1.06	1.42	0.35	0.44	0.4	80	STOCKED	28-7-8MMOL
3/8	7100	1.26	1.73	0.47	0.59	0.9	45	STOCKED	28-10MMOL
1/2	12 000	1.65	2.17	0.62	0.67	1.8	20	STOCKED	28-13MMOL
5/8	18 100	1.96	2.72	0.71	0.89	3.3	12	STOCKED	28-16MMOL

**Hook - Clevis, Shortening Clutch, (Claw Hook), Grade 80**

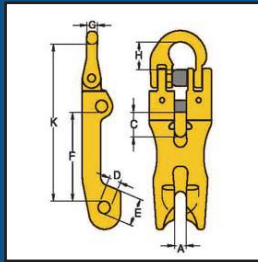


- Material: Alloy Steel, Grade 80
- Standard: EN 1677-1
- Finish: Powder Coated, Yellow
- Design Factor: 4:1
- Identification: Trademark, Size/WLL, Batch Code, Grade

Grade 80 Chain (in)	WLL (lb)	Dimensions (in)					Wt./ea. (lb)	Qty. / Box	Price / ea.	Part Number
		A,B	C	D	E	F				
9/32	4500	0.34	0.49	0.35	0.63	2.44	1.1	50	STOCKED	28-7-8CCH
3/8	7100	0.49	0.55	0.47	0.98	3.43	2.2	21	STOCKED	28-10CCH
1/2	12 000	0.65	0.67	0.59	1.26	4.53	4.4	10	STOCKED	28-13CCH
5/8	18 100	0.81	0.88	0.75	1.54	5.63	7.1	6	STOCKED	28-16CCH
3/4	28 300	0.85	0.91	0.87	1.81	5.98	10.8	4	STOCKED	28-18-20CCH

Yoke® Grade 80

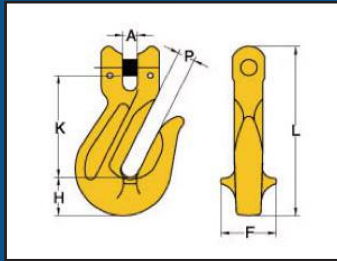
## Hook - Half Link, Shortening Clutch, (Claw Hook), Grade 80



- Material: Alloy Steel, Grade 80
- Standard: EN 1677-1
- Finish: Powder Coated, Yellow
- Design Factor: 4:1
- Identification: Trademark, Size/WLL, Batch Code, Grade

Grade 80 Chain (in)	WLL (lb)	Spare Load Pin Kit		Dimensions (in)								Wt./ea. (lb)	Qty. / Box	Price / ea.	Part Number
		Price/ea.	Part Number	A	C	D	E	F	H	G	K				
9/32	4500	STOCKED	28-P072-07	0.47	0.79	0.39	0.91	2.76	0.89	0.35	5.04	1.5	30	STOCKED	28-078-7-8
3/8	7100	STOCKED	28-P072-10	0.51	1.02	0.47	1.14	3.43	1.06	0.50	6.06	2.9	15	STOCKED	28-078-10
1/2	12 000	STOCKED	28-P072-13	0.59	1.30	0.63	1.46	4.53	1.38	0.62	7.99	6.2	8	STOCKED	28-078-13

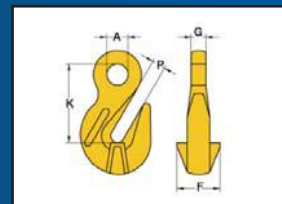
## Hook - Clevis, Grab, Grade 80



- Material: Alloy Steel, Grade 80
- Standard: EN 1677-1
- Finish: Powder Coated, Yellow
- Design Factor: 4:1
- Identification: Trademark, Size/WLL, Batch Code, Grade

Grade 80 Chain (in)	WLL (lb)	Dimensions (in)						Wt./ea. (lb)	Qty. / Box	Price / ea.	Part Number
		A	F	H	K	L	P				
1/4 - 5/16	4500	0.35	1.18	0.98	2.17	3.66	0.39	0.7	70	STOCKED	28-7-8CGH
3/8	7100	0.47	1.61	1.17	3.03	5.04	0.51	1.8	30	STOCKED	28-10CGH
1/2	12 000	0.59	2.09	1.65	3.82	5.98	0.63	3.5	15	STOCKED	28-13CGH
5/8	18 100	0.67	2.22	1.77	4.47	7.66	0.79	6.2	8	STOCKED	28-16CGH
3/4	28 300	0.91	3.86	2.13	4.88	8.54	0.91	11.0	4	STOCKED	28-18-20CGH

## Hook - Eye, Grab, Grade 80



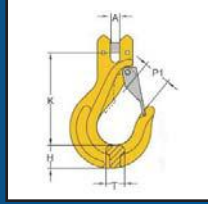
- Material: Alloy Steel, Grade 80
- Standard: EN 1677-1
- Finish: Powder Coated, Yellow
- Design Factor: 4:1
- Identification: Trademark, Size/WLL, Batch Code, Grade

Grade 80 Chain (in)	WLL (lb)	Dimensions (in)					Wt./ea. (lb)	Qty. / Box	Price / ea.	Part Number
		A	F	G	K	P				
7/8	34 200	1.50	2.76	1.02	6.42	1.02	10.1	5	STOCKED	28-22EGH
1	47 700	1.81	3.94	1.26	8.07	1.14	22.7	2	STOCKED	28-26EGH
1 1/4	72 300	2.28	5.00	1.61	10.51	1.53	44.1	1	STOCKED	28-32EGH

Yoke® Grade 80



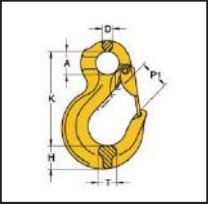
**Hook - Clevis, Sling, Grade 80**



- Material: Alloy Steel, Grade 80
- Standard: EN 1677-5
- Finish: Powder Coated, Yellow
- Design Factor: 4:1
- Identification: Trademark, Size/WLL, Batch Code, Grade

Grade 80 Chain (in)	WLL (lb)	Spare Latch Kit		Dimensions (in)					Wt./ ea.(lb)	Qty. / Box	Price / ea.	Part Number
		Price / ea.	Part #	A	H	K	P1	T				
9/32	4500	STOCKED	28-7-8LK	0.35	0.91	3.84	1.20	0.75	1.3	30	STOCKED	28-7-8CSH
3/8	7100	STOCKED	28-10LK	0.43	1.14	4.72	1.55	0.91	2.6	15	STOCKED	28-10CSH
1/2	12 000	STOCKED	28-13LK	0.55	1.50	5.79	1.73	1.10	5.1	8	STOCKED	28-13CSH
5/8	18 100	STOCKED	28-16LK	0.71	1.65	6.65	1.81	1.54	8.4	6	STOCKED	28-16CSH
3/4	28 300	STOCKED	28-18-20LK	0.83	2.01	7.48	2.20	1.85	14.8	4	STOCKED	28-18-20CSH

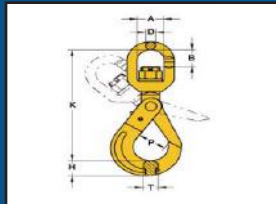
**Hook - Eye, Sling, Grade 80**



- Material: Alloy Steel, Grade 80
- Standard: EN 1677-5
- Finish: Powder Coated, Yellow
- Design Factor: 4:1
- Identification: Trademark, Size/WLL, Batch Code, Grade

Grade 80 Chain (in)	WLL (lb)	Latch Kit		Dimensions (in)					Wt./ ea. (lb)	Qty. / Box	Price / ea.	Part Number	
		Price / ea.	Part #	A	D	H	K	P1					T
7/8	34 200	STOCKED	28-22LK	2.02	1.26	2.44	9.45	2.75	1.97	20.1	2	STOCKED	28-22ESH
1	47 700	STOCKED	28-26LK	2.55	1.34	3.15	10.63	3.15	2.36	30.0	2	STOCKED	28-26ESH
1 1/4	72 300	STOCKED	28-32LK	3.55	1.57	3.39	13.86	4.49	2.56	41.2	1	STOCKED	28-32ESH

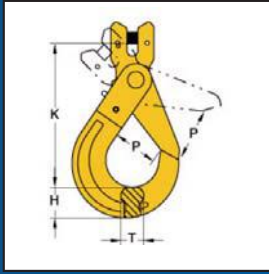
**Hook - Swivel, Self-Locking, Grade 80**



- Material: Alloy Steel, Grade 80
- Standard: EN 1677-3
- Finish: Powder Coated, Yellow
- Design Factor: 4:1
- Identification: Trademark, Size/WLL, Batch Code, Grade

Grade 80 (in)	WLL (lb)	Dimensions (in)							Wt./ ea. (lb)	Qty. / Box	Brass Bushing		Ball bearing Bushing	
		A	B	D	H	K	P	T			Price / ea.	Part #	Price / ea.	Part #
1/4-5/16	4500	1.42	1.14	0.51	0.94	7.32	1.34	0.79	2.6	12	STOCKED	28-7-8SSLH		
3/8	7100	1.80	1.49	0.62	1.19	8.90	1.77	1.02	4.4	7	STOCKED	28-10SSLH	STOCKED	28-10SWBB
1/2	12 000	1.81	1.86	0.83	1.57	11.00	2.01	1.19	9.0	4	STOCKED	28-13SSLH	STOCKED	28-13SWBB
5/8	18 100	2.36	2.16	0.91	1.93	13.00	2.44	1.20	15.9	3	STOCKED	28-16SSLH	STOCKED	28-16SWBB
3/4	28 300	2.91	3.23	1.02	2.36	15.28	3.54	1.50	24.9	2	STOCKED	28-18-20SSLH	STOCKED	28-18-20SWBB
7/8	34 200	3.82	3.94	1.30	2.48	17.99	3.14	2.20	39.5	1	STOCKED	28-22SSLH	STOCKED	28-22SWBB
1	47 700	4.13	4.53	1.65	2.72	21.06	3.90	2.20	62.4	1	STOCKED	28-26SSLH	STOCKED	28-26SWBB

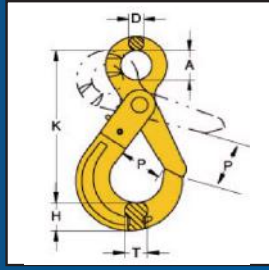
## Hook - Clevis, Self-Locking, Grade 80



- Material: Alloy Steel, Grade 80
- Standard: EN 1677-3
- Finish: Powder Coated, Yellow
- Design Factor: 4:1
- Identification: Trademark, Size/WLL, Batch Code, Grade

Grade 80 Chain (in)	WLL (lb)	Dimensions (in)				Wt./ea. (lb)	Qty. / Box	Price / ea.	Part Number
		H	K	P	T				
1/4 - 5/16	4500	0.94	4.69	1.34	0.79	1.8	20	STOCKED	28-7-8SLCH
3/8	7100	1.19	5.63	1.77	1.02	3.1	15	STOCKED	28-10SLCH
1/2	12 000	1.57	7.05	2.01	1.25	6.4	6	STOCKED	28-13SLCH
5/8	18 100	1.93	8.35	2.44	1.42	12.4	4	STOCKED	28-16SLCH
3/4	28 300	2.36	9.56	3.54	1.71	19.4	2	STOCKED	28-18-20SLCH

## Hook - Eye, Self-Locking, Grade 80



- Material: Alloy Steel, Grade 80
- Standard: EN 1677-3
- Finish: Powder Coated, Yellow
- Design Factor: 4:1
- Identification: Trademark, Size/WLL, Batch Code, Grade

Grade 80 Chain (in)	WLL (lb)	Dimensions (in)						Wt./ea. (lb)	Qty. / Box	Price / ea.	Part Number
		A	D	H	K	P	T				
1/4 - 5/16	4500	0.98	0.44	0.94	5.35	1.34	0.79	1.8	20	STOCKED	28-7-8SLEH
3/8	7100	1.26	0.51	1.19	6.57	1.77	1.02	3.1	12	STOCKED	28-10SLEH
1/2	12 000	1.56	0.62	1.57	8.15	2.01	1.19	6.4	6	STOCKED	28-13SLEH
5/8	18 100	2.05	0.83	1.93	9.92	2.44	1.42	12.6	4	STOCKED	28-16SLEH
3/4	28 300	2.34	0.91	2.36	11.10	3.54	1.60	18.7	2	STOCKED	28-18-20SLEH
7/8	34 200	2.75	0.94	2.48	12.56	3.14	2.12	27.6	2	STOCKED	28-22SLEH
1	47 700	3.15	0.98	2.72	13.50	3.90	2.00	32.0	1	STOCKED	28-26SLEH
1 1/8	55 100	3.54	1.10	3.18	15.80	4.72	2.48	54.9	1	STOCKED	28-28SLEH

Yoke® Grade 80

**Hook - Kit, Self-Locking Recessed Trigger Kit, Grade 80/100**



For Grade 80/100 Self-Locking Recessed Hooks

Grade 80/100 (in)	Price / ea.	Part Number
3/4	STOCKED	28-18-20TKR
1	STOCKED	28-26TKR
1-1/8	STOCKED	28-28TKR

**Hook - Kit, Self-Locking Trigger Kit, Grade 80**



For Grade 80 Self-Locking Hooks

Grade 80 (in)	Price / ea.	Part Number
1/4 - 5/16	STOCKED	28-7-8TK
3/8	STOCKED	28-10TK
1/2	STOCKED	28-13TK
5/8	STOCKED	28-16TK
*3/4	STOCKED	28-18-20TK
7/8	STOCKED	28-22TK
1	STOCKED	28-26TK
*1 1/8	STOCKED	28-28TK

\*Not interchangeable with Grade 100 hooks

**Hook - Kit, Clevis, Load Pin Kit, Grade 80**

Grade 80 Material only



Grade 80 Chain (in)	WLL (lb)	Price / ea.	Part Number
9/32	4500	STOCKED	28-7-8LPK
3/8	7100	STOCKED	28-10LPK
1/2	12 000	STOCKED	28-13LPK
5/8	18 100	STOCKED	28-16LPK
3/4	28 300	STOCKED	28-18-20LPK

**Link - Kit, Connecting, Pin & Sleeve Kit, Grade 80**

For Coupling assemblies, Grade 80 Material only

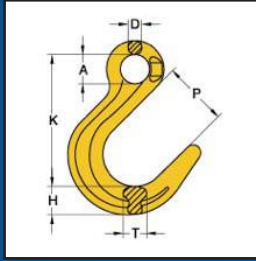


Size (in)	WLL (lb)	Price / ea.	Part Number
1/4 - 5/16	4500	STOCKED	28-7-8CLP
3/8	7100	STOCKED	28-10CLP
1/2	12 000	STOCKED	28-13CLP
5/8	18 100	STOCKED	28-16CLP
3/4	28 300	STOCKED	28-18-20CLP
7/8	34 200	STOCKED	28-22CLP
1	47 700	STOCKED	28-26CLP
1 1/4	72 300	STOCKED	28-32CLP

Yoke® Grade 80



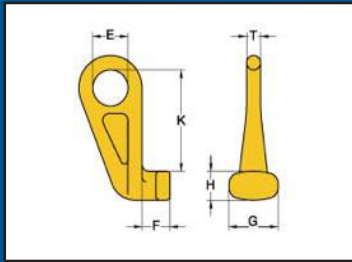
## Hook - Eye, Foundry, Grade 80



- Material: Alloy Steel, Grade 80
- Standard: EN 1677-1
- Finish: Powder Coated, Yellow
- Design Factor: 4:1
- Identification: Trademark, Size/WLL, Batch Code, Grade

Grade 80 Chain (in)	WLL (lb)	Dimensions (in)						Wt./ea. (lb)	Qty. / Box	Price / ea.	Part Number
		A	D	H	K	P	T				
3/8	7100	1.26	0.59	1.34	5.91	2.87	0.94	2.9	12	STOCKED	28-3/8FEH
1/2	12 000	1.56	0.75	1.65	7.09	3.50	1.34	5.3	8	STOCKED	28-1/2FEH
5/8	18 100	1.96	0.98	1.97	8.46	3.94	1.63	8.8	4	STOCKED	28-5/8FEH
3/4	28 300	2.36	1.05	2.50	9.76	4.41	2.35	20.7	3	STOCKED	28-3/4FEH

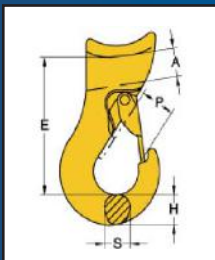
## Hook - Eye, Container, Grade 80



- Material: Alloy Steel, Grade 80
- Standard: EN 1677-1
- Finish: Powder Coated, Yellow
- Design Factor: 4:1
- Identification: Trademark, Size/WLL, Batch Code, Grade
- Rated in Metric Ton(s)

WLL (t)	Type	Dimensions (in)						Wt./ea. (lb)	Qty. / Box	Price / ea.	Part Number
		K	E	F	T	G	H				
12.5	Left 45	7.30	2.76	1.81	0.98	2.95	1.89	8.6	6	STOCKED	28-8-06745LT
12.5	Right 45	7.30	2.76	1.81	0.98	2.95	1.89	8.6	6	STOCKED	28-8-06745RH

## Hook - Sliding Choker, Grade 80



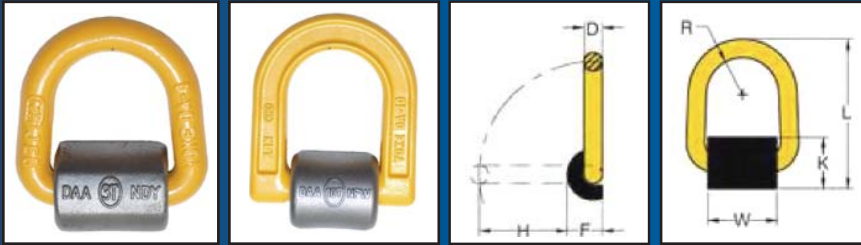
- Material: Alloy Steel, Grade 80
- Standard: EN 1677-1
- Finish: Powder Coated, Yellow
- Design Factor: 5:1
- Identification: Trademark, Size/WLL, Batch Code, Grade
- Based on degree of angle, loads will change.

WLL lb	Wire Rope Dia. (in)	Latch Kit		Dimensions (in)					Wt./ea. (lb)	Qty. / Box	Price / ea.	Part Number
		Price / ea.	Part #	A	E	H	P	S				
3400	3/8 - 1/2	STOCKED	28-8074LK	0.63	3.43	0.94	0.71	0.71	1.3	25	STOCKED	28-9-13SCH
5200	9/16 - 5/8	STOCKED	28-8074LK	0.83	3.86	1.14	0.94	0.87	2.0	20	STOCKED	28-14-16SCH

Yoke® Grade 80



**Ring - Weld-on Lifting Point, Grade 80**



- Material: Alloy Steel, Grade 80
- Standard: EN 1677-1
- Finish: Powder Coated, Yellow
- Design Factor: 5:1
- Identification: Trademark, Size/WLL, Batch Code, Grade
- Rated in Metric Ton(s)

WLL (t)	Dimensions (in)							Wt./ea. (lb)	Qty. / Box	Price / ea.	Part Number
	W	D	F	K	H	R	L				
1	1.97	0.55	1.06	1.50	2.44	0.94	4.31	1.1	45	STOCKED	28-057-1T
3	2.28	0.67	1.34	1.89	2.36	1.14	4.41	1.8	25	STOCKED	28-057-3T
5	2.52	0.87	1.69	2.40	2.91	1.30	6.06	4.0	12	STOCKED	28-057-5T
8	2.41	1.05	2.05	2.76	2.66	1.28	6.77	5.7	10	STOCKED	28-057-8T
10	2.95	1.19	2.17	2.95	4.14	1.58	7.52	6.8	8	STOCKED	28-057-10T

**Welding Instructions**

The welding should only be carried out by qualified welder according to Standards, e.g. EN 287 or AWS

**Support Material:**

- Material of the welding block is S355J2+N (1.0577+N, St 52-3N, B.S. 4360.50D, AISI 1019 etc.).
- Prior to welding, the contact areas must be free from impurities, oil, paint, rust, scale, etc., for example by grinding. If the surface is at all corroded, all rust must be completely removed from the weld area. Painted surface must be prepared in the same way.
- The steel support member must have a carbon content of no less than 0.25% and no more than 0.40%.
- In ambient temperature of 10°C and below, pre-heating of the weld area prior to welding must be carried out.

**Seam Welding:**

- The welds must be sufficiently strong to take the required loads.
- The distance lugs assist in achieving the required root weld (approx. 3 mm).
- A minimum weld-seam width must be maintained to give adequate weld strength (see table)
- Start both, the root pass and final weld pass from the centre of the support to be welded.
- Before starting the final weld pass, clean well the root pass to avoid inclusions.
- The complete welding operation must be carried out continuously so that the parts do not have time to cool.
- Do not weld at the yellow powder coated tempered load ring.
- After welding, ensure bail pivots full 180° without interfering with the weld.

**Effects of Temperature:**

- The lifting points for weld on, types DAA, can together with the load (e.g. weld construction) be annealed, Temperature < 600° C, stress-release without reduction of WLL.
- The complete construction can be annealed stress release at <600°C without reduction of WLL.
- Do not rapidly cool the weld.
- A thorough inspection of the weld should be performed. No cracks, pitting, inclusions, notches or undercuts are allowed. If doubt exists, use a suitable NDT method, such as magnetic particle or liquid penetrant to verify.
- If repair is required, grind out the defect and re-weld using the original qualified procedure.

**Welding Material:** - Weld material is to have a minimum tensile strength of 70,000 PSI (such as AWS A5.1 E-7018), following the electrode manufacturer's recommendations. Reference information as below:

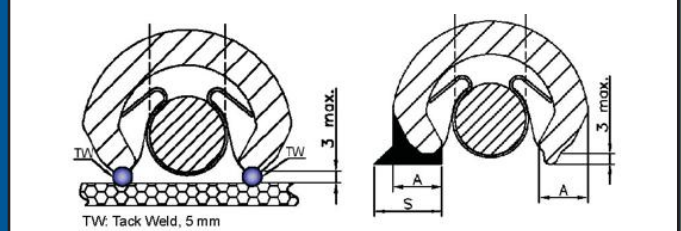
**Manual Electric (Direct Current Supply Welding):** Wire diameter 0.8 - 1.2 as per DIN 8559-SG 3, AWS A 5.18.

Important: do not weld in the open air during bad weather

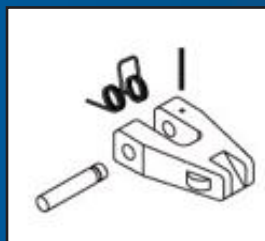
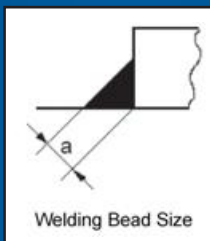
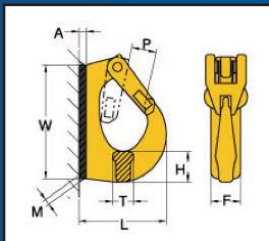
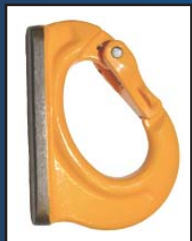
**Alternating Current Supply Welding:** Direct current supply welding: Electrodes according to EN ISO 2560-A - E 42 6 B 3 2, AWS A 5.5 : E 8018-G. Electrode: root pass and final weld pass, type E5154 B10 as per DIN 1913, used in accordance with the manufacturers.

**Alternating Current Supply Welding:** Electrode as per DIN 1913, modified for alternating current use. HV welding and final weld pass, type E5155 B10. Electrode as per DIN 1913, modified for alternating current use. HV welding and final weld pass, type E5155 B10.

Part Number	WLL (t)	Thickness A (mm)	Weld Size S (mm)
28-057-1T	1	10	S=A+3
28-057-3T	3	12	S=A+4
28-057-5T	5	17	S=A+5
28-057-8T	8	16	S=A+4
28-057-10T	10	17	S=A+5



## Hook - Weld-on Bucket, Grade 80



- Material: Alloy Steel, Grade 80
- Standard: EN 1677-1
- Finish: Powder Coated, Yellow
- Design Factor: 5:1
- Identification: Trademark, Size/ WLL, Batch Code, Grade
- Rated in Metric Ton(s)

WLL (t)	Latch Kit		Dimensions (in)								Weld Bead "a" (mm)	Wt. (lb)	Qty. / Box	Price / ea.	Part Number
	Price / ea.	Part Number	A	F	H	L	M	P	T	W					
3	STOCKED	28-3TWOHL	0.39	1.38	1.18	4.17	0.24	1.14	0.91	5.24	6	3.1	12	STOCKED	28-3TWOH
4	STOCKED	28-4TWOHL	0.47	1.65	1.54	4.41	0.28	1.22	1.14	5.59	7	4.4	12	STOCKED	28-4TWOH
5	STOCKED	28-5TWOHL	0.51	1.77	1.81	5.16	0.31	1.34	1.22	6.54	8	6.6	6	STOCKED	28-5TWOH
8	STOCKED	28-8TWOHL	0.51	1.97	2.01	5.24	0.35	1.38	1.54	6.81	9	8.4	6	STOCKED	28-8TWOH
10	STOCKED	28-10TWOHL	0.55	2.20	2.36	6.69	0.35	1.97	1.73	8.70	9	13.9	4	STOCKED	28-10TWOH
15	STOCKED	28-15TWOHL	0.55	2.40	2.64	7.24	0.67	2.13	1.77	9.49	12	17.4	3	STOCKED	28-15TWOH

### Welding Instructions

The welding should only be carried out by qualified welder according to Standards, e.g. EN 287 or AWS.

#### Support Material

- The support material ST 52-3.
- Prior to welding, the contact areas must be free from impurities, oil, paint, rust, scale, etc., for example by grinding. If the surface is at all corroded, all rust must be completely removed from the weld area. Painted surface must be prepared in the same way.
- The steel support member must have a carbon content of no less than 0.25% and no more than 0.40%.
- The hook must be positioned that the weld is loaded only in shear. No bending moment can be permitted on weld seam.
- In ambient temperature of 10°C and below, pre-heating of the weld area prior to welding must be carried out.

#### Seam Welding

- The welds must be sufficiently strong to take the required loads.
- A minimum weld-seam width must be maintained to give adequate weld strength (see table)
- The gauging points on the supports guarantee the gap necessary for the root pass (approx. 3mm)
- Start both, the root pass and final weld pass from the centre of the support to be welded.
- Before starting the final weld pass, clean well the root pass to avoid inclusions.
- The complete welding operation must be carried out continuously so that the parts do not have time to cool.

#### MIG Arc Welding

- Wire diameter 0.8 - 1.2 as per DIN 8559-SG 3.
- Important: do not weld in the open air during bad weather

#### Manual Electric: Direct Current Supply Welding:

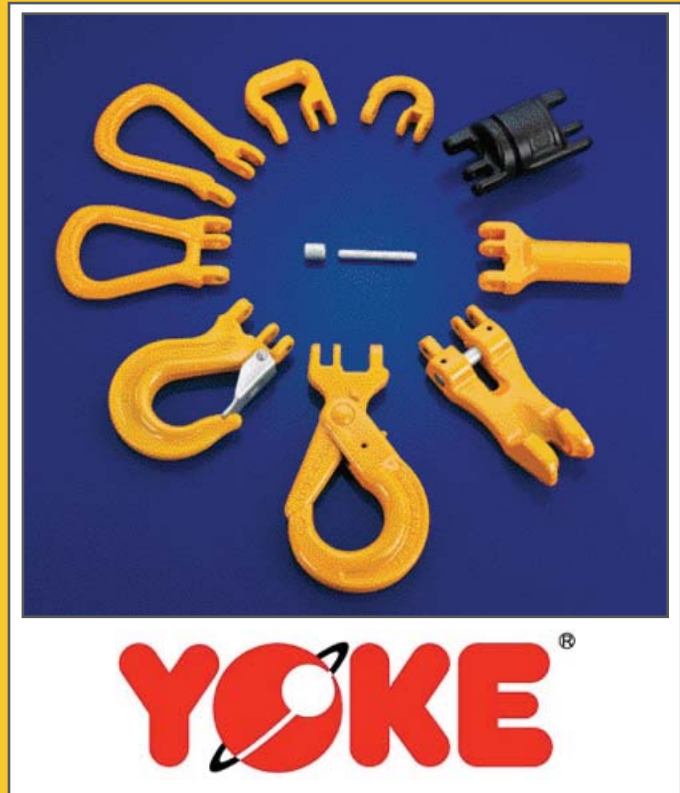
- Electrodes according to EN ISO 2560-A - E 42 6 B 3 2, AWS A 5.5: E 8018-G.
- Electrode: root pass & final weld pass, type E5154 B10 as per DIN 1913, used in accordance with the manufacturers.

#### Alternating current supply welding:

- Electrode as per DIN 1913, modified for alternating current use.
- HV welding and final weld pass, type E5155 B10.







Yoke® Grade 80



Master Link Coupling

Half Coupling link

Insulated Blank Swivel

Shank

Self-locking Hook

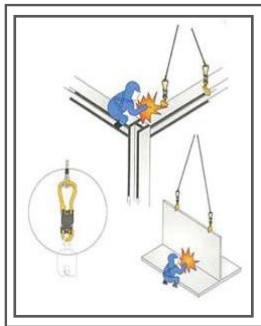
Round Sling

**YOKE®**  
Interchangeable  
end connectors



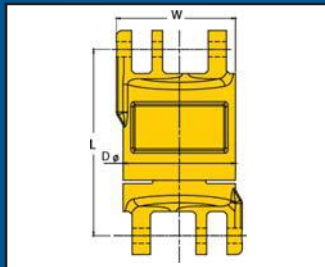
Insulated Blank Swivel  
with multiple examples  
of end attachments





- The perfect system for universal coupling of components to chain, wire rope and synthetic slings.
- Heavy hoisting with a strong but lightweight system. All components are forged high alloy steel compatible with forged chain and fittings.
- Assembly is fast and ready with only a hammer required.
- Individual swivels & components 100% proof load tested to a minimum of 2.5 times the WLL.
- All "BSI" Swivels are individually tested during manufacturing to assure insulating properties. An insulated Test Certificate is packaged with each unit shipped.
- YOKE "BSI" Insulated Swivels are designed with ball bearing that fully swivels under load.
- Acquired certificate approved by BG German Company.
- Individually tested to resist 1500 Volt DC with test certificate

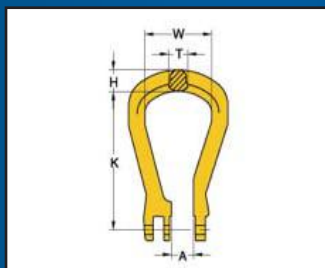
## Swivel - Coupling, Insulated Blank Swivel, Grade 80



- Material: Alloy Steel, Grade 80
- Standard: EN 1677-1
- Finish: Powder Coated, Yellow
- Design Factor: 4:1
- Identification: Trademark, Size/WLL, Batch Code, Grade

WLL (lb)	Grade 80 Chain (in)	Dimensions (in)			Wt./ea. (lb)	Qty. / Box	Price / ea.	Part Number
		L	D	W				
4500	9/32	1.97	1.89	1.97	1.9	36	STOCKED	28-9/32BSI
7100	3/8	2.44	2.28	2.44	2.6	16	STOCKED	28-3/8BSI
12 000	1/2	3.03	2.91	3.09	5.5	8	STOCKED	28-1/2BSI
18 100	5/8	5.28	3.54	3.74	9.7	4	STOCKED	28-5/8BSI
28 300	3/4	6.14	4.13	4.33	15.3	3	STOCKED	28-3/4BSI

## Link - Coupling, Master Link, Grade 80



- Material: Alloy Steel, Grade 80
- Standard: EN 1677-1
- Finish: Powder Coated, Yellow
- Design Factor: 4:1
- Identification: Trademark, Size/WLL, Batch Code, Grade

Grade 80 Chain (in)	WLL (lb)	Dimensions (in)					Wt./ea. (lb)	Qty. / Box	Price / ea.	Part Number
		A	H	K	T	W				
9/32	4500	0.70	0.59	3.94	0.59	1.97	0.7	45	STOCKED	28-9/32MLC
3/8	7100	0.97	0.75	5.00	0.75	2.56	1.5	20	STOCKED	28-3/8MLC
1/2	12 000	0.98	0.87	5.71	0.91	2.83	2.2	15	STOCKED	28-1/2MLC
5/8	18 100	1.43	1.02	6.85	0.98	3.15	3.5	12	STOCKED	28-5/8MLC
3/4	28 300	1.63	1.42	7.95	1.44	4.09	6.6	5	STOCKED	28-3/4MLC

Pin & Sleeve extra see page 142

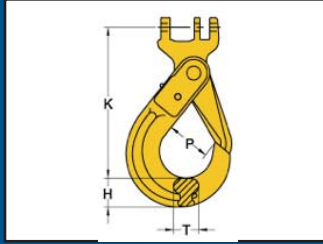


**WARNING**

NEVER EXCEED PUBLISHED WORKING LOAD LIMIT

\*See Page 33 for Grade 80 Chain\*

**Hook - Coupling, Self-Locking, Grade 80**

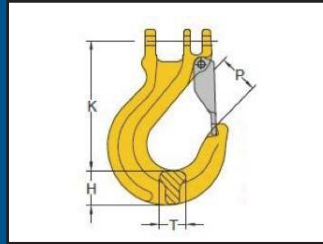


- Material: Alloy Steel, Grade 80
- Standard: EN 1677-1
- Finish: Powder Coated, Yellow
- Design Factor: 4:1
- Identification: Trademark, Size/WLL, Batch Code, Grade

Grade 80 Chain (in)	WLL (lb)	Dimensions (in)				Wt./ea. (lb)	Qty. / Box	Price / ea.	Part Number
		H	K	P	T				
9/32	4500	0.94	5.35	1.34	0.79	1.8	20	STOCKED	28-9/32CSLH
3/8	7100	1.19	6.06	1.77	1.02	3.1	12	STOCKED	28-3/8CSLH
1/2	12 000	1.57	7.95	2.00	1.19	6.4	6	STOCKED	28-1/2CSLH
5/8	18 100	1.93	9.53	2.44	1.42	11.9	4	STOCKED	28-5/8CSLH
3/4	28 300	2.36	10.12	3.54	1.50	17.9	2	STOCKED	28-3/4CSLH

Pin & Sleeve extra see page 142

**Hook - Coupling, Sling, Grade 80**

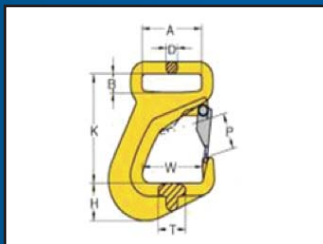


- Material: Alloy Steel, Grade 80
- Standard: EN 1677-1
- Finish: Powder Coated, Yellow
- Design Factor: 4:1
- Identification: Trademark, Size/WLL, Batch Code, Grade

Grade 80 Chain (in)	WLL (lb)	Dimensions (in)				Wt./ea. (lb)	Qty. / Box	Price / ea.	Part Number
		H	K	P	T				
1/2	12 000	1.42	5.55	1.65	1.10	3.97	10	STOCKED	28-055-13

Pin & Sleeve extra see page 142

**Hook - Flat Webbing, Choker, Grade 80**

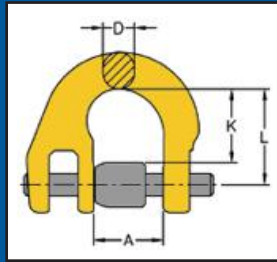


- Material: Alloy Steel, Grade 80
- Standard: EN 1677-1
- Finish: Powder Coated, Yellow
- Design Factor: 4:1
- Identification: Trademark, Size/WLL, Batch Code, Grade

WLL (lb)	Dimensions (in)								Wt./ea. (lb)	Qty. / Box	Price / ea.	Part Number
	K	P	B	A	D	W	T	H				
4400	5.51	1.73	0.94	3.19	0.55	3.15	1.57	1.73	4.6	8	STOCKED	28-031-02



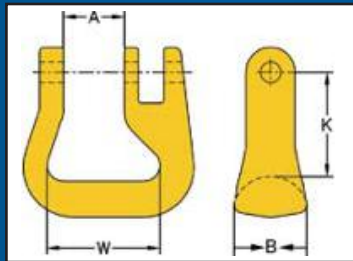
## Link - Coupling, Half Link & Pin, Grade 80



- Material: Alloy Steel, Grade 80
- Standard: EN 1677-1
- Finish: Powder Coated, Yellow
- Design Factor: 4:1
- Identification: Trademark, Size/WLL, Batch Code, Grade
- Pin & Sleeve included.

Grade 80 Chain (in)	WLL (lb)	Dimensions (in)				Wt./ea. (lb)	Qty. / Box	Price / ea.	Part Number
		A	D	K	L				
9/32	4500	0.71	0.35	0.89	1.10	0.2	200	STOCKED	28-9/32CLH
3/8	7100	0.98	0.50	1.06	1.30	0.4	100	STOCKED	28-3/8CLH
1/2	12 000	1.18	0.62	1.38	1.77	0.9	40	STOCKED	28-1/2CLH
5/8	18 100	1.42	0.75	1.51	1.97	1.3	25	STOCKED	28-5/8CLH
3/4	28 300	1.65	0.87	1.81	2.36	2.4	20	STOCKED	28-3/4CLH

## Link - Coupling, Round Sling, Grade 80

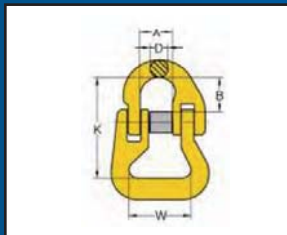


- Material: Alloy Steel, Grade 80
- Standard: EN 1677-1
- Finish: Powder Coated, Yellow
- Design Factor: 4:1
- Identification: Trademark, Size/WLL, Batch Code, Grade

Grade 80 Chain (in)	WLL (lb)	Dimensions (in)				Wt./ea. (lb)	Qty. / Box	Price / ea.	Part Number
		A	B	K	W				
9/32	4500	0.71	0.94	1.30	1.57	0.4	100	STOCKED	28-9/32CRS
3/8	7100	0.98	1.14	1.65	1.85	0.9	50	STOCKED	28-3/8CRS
1/2	12 000	1.18	1.38	2.01	2.09	1.5	25	STOCKED	28-1/2CRS
5/8	18 100	1.42	1.73	2.48	2.64	2.9	15	STOCKED	28-5/8CRS
3/4	28 300	1.65	2.05	2.87	3.15	4.6	10	STOCKED	28-3/4CRS

Pin & Sleeve extra see page 142

## Link - Coupling, Round Sling, with Half Link & Pin, Grade 80


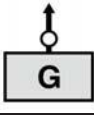
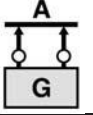
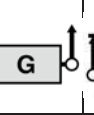
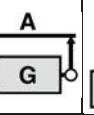
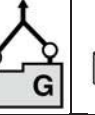
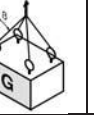
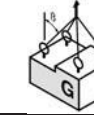


- Material: Alloy Steel, Grade 80
- Standard: EN 1677-1
- Finish: Powder Coated, Yellow
- Design Factor: 4:1
- Identification: Trademark, Size/WLL, Batch Code, Grade


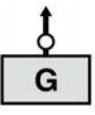
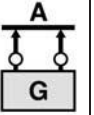
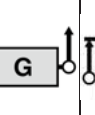
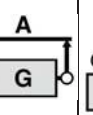

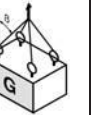
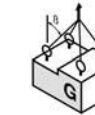
Grade 80 Chain (in)	WLL (lb)	Dimensions (in)					Wt./ea. (lb)	Qty. / Box	Price / ea.	Part Number
		A	B	D	K	W				
7/8	34 200	1.93	2.32	0.94	7.36	4.92	16.3	2	STOCKED	28-016-22
1	47 700	2.17	2.44	1.19	8.23	5.91	25.3	2	STOCKED	28-016-26
1 1/4	72 300	2.72	3.11	1.42	10.98	7.38	40.6	1	STOCKED	28-016-32

Yoke® Grade 80

**Swivel - Hoist Ring, UNC Thread (204 series), Grade 80**

										
# of Leg			1	2	1	2	2	3-4	3-4	
Load Direction			0°	0°	90°	90°	45-60°	unsym.	45-60° unsym.	
Item No.	Thread (in)	WLL (lb)								
8-204-004	5/16	800	800	1600	800	1600	800	800	1200	800
8-204-005	3/8	1000	1000	2000	1000	2000	1000	1000	1500	1000
8-204-010	1/2	2500	2500	5000	2500	5000	2500	2500	3750	2500
8-204-010L	1/2	2500	2500	5000	2500	5000	2500	2500	3750	2500
8-204-019	5/8	4000	4000	8000	4000	8000	4000	4000	6000	4000
8-204-019L	5/8	4000	4000	8000	4000	8000	4000	4000	6000	4000
8-204-021	3/4	5000	5000	10000	5000	10000	5000	5000	7500	5000
8-204-021L	3/4	5000	5000	10000	5000	10000	5000	5000	7500	5000
8-204-030	3/4	7000	7000	14000	7000	14000	7000	7000	10500	7000
8-204-042	7/8	8000	8000	16000	8000	16000	8000	8000	12000	8000
8-204-042L	7/8"	8000	8000	16000	8000	16000	8000	8000	12000	8000
8-204-045	1"	10000	10000	20000	10000	20000	10000	10000	15000	10000
8-204-045L	1"	10000	10000	20000	10000	20000	10000	10000	15000	10000
8-204-070	1-1/4"	15000	15000	30000	15000	30000	15000	15000	22500	15000
8-204-125	1-1/4"	24000	24000	48000	24000	48000	24000	24000	36000	24000
8-204-135	2"	30000	30000	60000	30000	60000	30000	30000	45000	30000

**Swivel - Hoist Ring, Metric Thread (203 series), Grade 80**

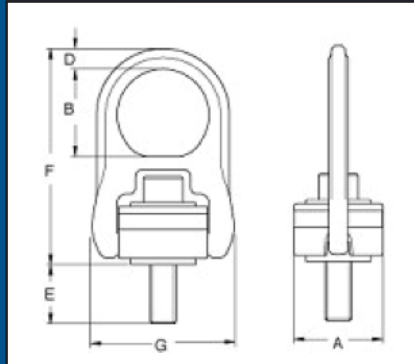
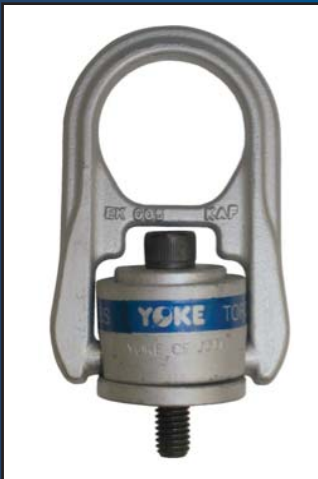
										
# of Leg			1	2	1	2	2	3-4	3-4	
Load Direction			0°	0°	90°	90°	45-60°	unsym.	45-60° unsym.	
Item No.	Thread (mm)	WLL (t)								
8-203-004	M 8	0.40	0.5	1.0	0.5	1.0	0.5	0.5	0.75	0.5
8-203-005	M 10	0.45	0.55	1.1	0.55	1.1	0.55	0.55	0.83	0.55
8-203-010	M 12	1.05	1.3	2.6	1.3	2.6	1.3	1.3	1.95	1.3
8-203-010L	M 12	1.05	1.3	2.6	1.3	2.6	1.3	1.3	1.95	1.3
8-203-019	M 16	1.90	2.4	4.8	2.4	4.8	2.4	2.4	3.60	2.4
8-203-019L	M 16	1.90	2.4	4.8	2.4	4.8	2.4	2.4	3.60	2.4
8-203-021	M 20	2.15	2.7	5.4	2.7	5.4	2.7	2.7	4.05	2.7
8-203-021L	M 20	2.15	2.7	5.4	2.7	5.4	2.7	2.7	4.05	2.7
8-203-030	M 20	3.00	3.75	7.5	3.75	7.5	3.75	3.75	5.63	3.75
8-203-042	M 24	4.20	5.25	10.5	5.25	10.5	5.25	5.25	7.88	5.25
8-203-042L	M 24	4.20	5.25	10.5	5.25	10.5	5.25	5.25	7.88	5.25
8-203-070	M 30	7.00	8.75	17.5	8.75	17.5	8.75	8.75	13.13	8.75
8-203-110	M 36	11.00	13.75	27.5	13.75	27.5	13.75	13.75	20.63	13.75
8-203-125	M 42	12.50	15.6	31.2	15.6	31.2	15.6	15.6	23.40	15.6
8-203-135	M 48	13.50	16.9	33.8	16.9	33.8	16.9	16.9	25.35	16.9

• Rated in Metric Ton(s)



- All Yoke Swivel Hoist Rings meet or exceed all the requirements of ASME B30.26
- Hoist Ring Bail are designed by forged alloy steel, quenched and tempered
- Each forged part and cap screw have batch coding and are linked to test certificate sheet
- Hoist rings are 360° swivel with 180° pivot function
- Yellow galvanized for increased anti-corrosion
- Bolt galvanized alternative phosphate treatment
- 20,000 cycle fatigue rated to 1.5 times WLL
- Rated 100% at 90° angle
- 100% magnaflux crack detection

## Swivel - Hoist Ring, UNC Thread, Grade 80



- Material: Alloy Steel, Grade 80
- Standard: ASME B30.26, Bolt: ASTM A574
- Finish: Powder Coated, Yellow & Galvanized
- Design Factor: 5:1
- Identification: Trademark, Size/WLL, Batch Code, Grade

WLL (lb)	Thread Size	Torque ft. (lb)	Spare Bolt Clip		Dimensions (in)						Wt./ea. (lb)	Swivel Hoist Ring	
			Price / ea.	Part Number	A	B	D	E	F	G		Price / ea.	Part Number
800	5/16"-18 x 2	7	STOCKED	28-P204-004	1.57	1.61	0.35	0.71	4.02	2.56	0.9	STOCKED	28-204-004
1000	3/8"-16 x 2	12	STOCKED	28-P204-005	1.57	1.61	0.35	0.71	4.02	2.56	0.9	STOCKED	28-204-005
2500	1/2"-13 x 2.5	28	STOCKED	28-P204-010	2.56	2.32	0.59	0.75	6.26	4.13	3.7	STOCKED	28-204-010
2500	1/2"-13 x 3.0	28	STOCKED	28-P204-010L	2.56	2.32	0.59	1.26	6.26	4.13	3.7	STOCKED	28-204-010L
4000	5/8"-11 x 2.5	60	STOCKED	28-P204-019	2.56	2.32	0.59	0.74	6.26	4.13	4.0	STOCKED	28-204-019
4000	5/8"-11 x 3.25	60	STOCKED	28-P204-019L	2.56	2.32	0.59	1.69	6.26	4.13	4.0	STOCKED	28-204-019L
5000	3/4"-10 x 2.75	100	STOCKED	28-P204-021	2.56	2.32	0.59	1.18	6.26	4.13	4.0	STOCKED	28-204-021
5000	3/4"-10 x 3.25	100	STOCKED	28-P204-021L	2.56	2.32	0.59	1.65	6.26	4.13	4.2	STOCKED	28-204-021L
7000	3/4"-10 x 3.0	100	STOCKED	28-P204-030	3.35	2.87	0.87	0.79	8.03	5.28	9.0	STOCKED	28-204-030
7000	3/4"-10 x 3.75	100	STOCKED	28-P204-030L	3.35	2.87	0.87	1.58	8.03	5.28	9.5	STOCKED	28-204-030L
8000	7/8"-9 x 3.5	160	STOCKED	28-P204-042	3.35	2.87	0.87	1.43	8.03	5.28	9.3	STOCKED	28-204-042
8000	7/8"-9 x 4.25	160	STOCKED	28-P204-042L	3.35	2.87	0.87	2.37	8.03	5.28	9.7	STOCKED	28-204-042L
10 000	1"-8 x 3.5	230	STOCKED	28-P204-045	3.35	2.87	0.87	1.36	8.03	5.28	9.5	STOCKED	28-204-045
10 000	1"-8 x 4.5	230	STOCKED	28-P204-045L	3.35	2.87	0.87	2.36	8.03	5.28	9.7	STOCKED	28-204-045L
15 000	1-1/4" - 7 x 4.5	470	STOCKED	28-P204-070	3.95	3.15	1.00	2.25	8.58	6.30	14.8	STOCKED	28-204-070
24 000	1-1/2" - 6 x 6.5	800	STOCKED	28-P204-125	4.72	4.29	1.38	2.17	12.09	8.66	36.4	STOCKED	28-204-125
30 000	2" - 4.5 x 6.5	1100	STOCKED	28-P204-135	4.72	4.29	1.38	3.01	12.09	8.66	38.6	STOCKED	28-204-135

- Minimum Ultimate Load is 5 times the Working Load Limit
- Proof Load is 2.5 times the Working load Limit
- Additional styles available for soft metal products
- The depth of thread needs to be a minimum of 1 times the thread diameter for steel, 1.25 times for cast iron, 2 times for aluminium.

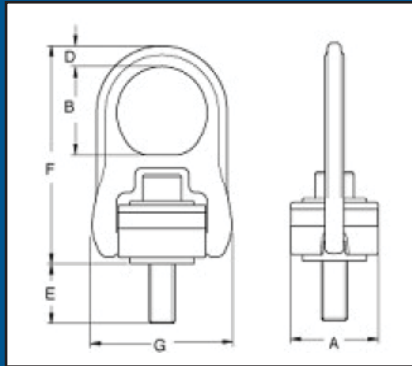






- All Yoke Swivel Hoist Rings meet or exceed all the requirements of ASME B30.26
- Bolts are metric thread ASME / ANSI B18.3.1 M
- Hoist Ring Bail are designed by forged alloy steel, quenched and tempered
- Each forged part and cap screw have batch coding and are linked to test certificate sheet
- Hoist rings are 360° swivel with 180° pivot function
- Yellow galvanized for increased anti-corrosion
- Bolt galvanized alternative phosphate treatment
- 20,000 cycle fatigue rated to 1.5 times WLL
  - Rated 100% at 90° angle
  - 100% magnaflux crack detection
  - Self-aligns in direction of load

**Swivel - Hoist Ring, Metric Thread, Grade 80**



- Material: Alloy Steel, Grade 80
- Standard: ASME B30.26, Bolt: ASTM A574
- Finish: Powder Coated, Yellow
- Design Factor: 5:1
- Identification: Trademark, Size/WLL, Batch Code, Grade

WLL (t)	Thread Size	Torque (Nm)	Spare Bolt Clip		Dimensions (mm)						Wt./ea. (kg)	Swivel Hoist Ring	
			Price / ea.	Part Number	A	B	D	E	F	G		Price /ea.	Part Number
0.40	M8-1.25 x 50	10	STOCKED	28-P203-004	40	41	9	17	102	65	0.4	STOCKED	28-203-004
0.45	M10-1.50 x 45	16	STOCKED	28-P203-005	40	41	9	11	102	65	0.5	STOCKED	28-203-005
0.45	M10-1.50 x 60	16	STOCKED	28-P203-005L	40	41	9	26	102	65	0.5	STOCKED	28-203-005L
1.05	M12-1.75 x 60	38	STOCKED	28-P203-010	65	64	15	15	158	105	1.7	STOCKED	28-203-010
1.05	M12-1.75 x 75	38	STOCKED	28-P203-010L	65	64	15	30	158	105	1.7	STOCKED	28-203-010L
1.90	M16-2.00 x 65	81	STOCKED	28-P203-019	65	64	15	20	158	105	1.8	STOCKED	28-203-019
1.90	M16-2.00 x 80	81	STOCKED	28-P203-019L	65	64	15	35	158	105	1.8	STOCKED	28-203-019L
2.15	M20-2.50 x 70	136	STOCKED	28-P203-021	65	64	15	25	158	105	1.9	STOCKED	28-203-021
2.15	M20-2.50 x 90	136	STOCKED	28-P203-021L	65	64	15	45	158	105	2.1	STOCKED	28-203-021L
3.00	M20-2.50 x 80	136	STOCKED	28-P203-030	85	79	19	25	204	134	4.2	STOCKED	28-203-030
3.00	M20-2.50 x 100	136	STOCKED	28-P203-030L	85	79	19	45	204	134	4.2	STOCKED	28-203-030L
4.20	M24-3.00 x 80	312	STOCKED	28-P203-042	85	79	19	26	204	134	4.2	STOCKED	28-203-042
4.20	M24-3.00 x 105	312	STOCKED	28-P203-042L	85	79	19	56	204	134	4.3	STOCKED	28-203-042L
7.00	M30-3.50 x 135	637	STOCKED	28-P203-070	100	100	25	81	241	160	6.7	STOCKED	28-203-070
11.00	M36-4.00 x 160	1005	STOCKED	28-P203-110	120	111	30	76	286	194	15.5	STOCKED	28-203-110
12.50	M42-4.50 x 175	1005	STOCKED	28-P203-125	120	111	30	65	286	194	16.5	STOCKED	28-203-125
13.50	M48-5.00 x 190	1350	STOCKED	28-P203-135	120	111	30	70	286	194	16.8	STOCKED	28-203-135

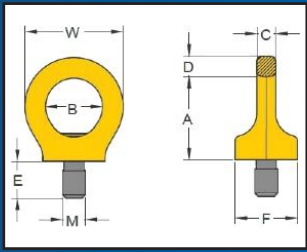
- Minimum Ultimate Load is 5 times the Working Load Limit
- Proof Load is 2.5 times the Working load Limit
- Additional styles available for soft metal products
- The depth of thread needs to be a minimum of 1 times the thread diameter for steel, 1.25 times for cast iron, 2 times for aluminium.

Yoke® Grade 80



- Rotates through 360° adjustable in the direction of the load.
- Manufactured from alloy steel, quenched and tempered. Captive bolt with high WLL.
- Load rated parts are 100% magnaflux crack detected.
- Individual forged parts and cap screw are traceable to Test Certification.
- Bolts are UNC/Metric thread (ASME / ANSI B18.3.1M), specification is grade 10.9 alloy socket head screw per DIN EN ISO 4762.
- Proof tested to 2.5 times the WLL.
- Fatigue rated to 1.5 times the WLL.
- All YOKE Lifting points meet or exceed all the requirements of ASME B30.26.
- Quick and simple assembly, just a tapped hole is required.

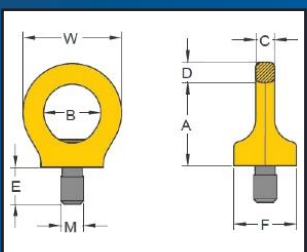
## Swivel - Lifting Key Eye Points, UNC Thread, Grade 80



- Material: Alloy Steel, Grade 80
- Standard: EN 1677-1, Bolt: ANSI B18.3.1M, ISO 4762
- Finish: Powder Coated, Yellow
- Design Factor: 4:1
- Identification: Trademark, Size/WLL, Batch Code, Grade
- Rated in Metric Ton(s)

WLL (t)		Thread Size			Dimensions (in)							Torque (Nm)	Wt. (lb)	Price / ea.	Part Number
X	Z	M (in)	E (in)	TPI	A	B	C	D	F	S	W				
0.3	1	5/16	0.47	18UNC	1.42	0.98	0.31	0.35	0.98	0.25	1.73	10	0.2	STOCKED	28-292K-003
0.4	1	3/8	0.57	16UNC	1.42	0.98	0.31	0.35	0.98	0.25	1.73	10	0.2	STOCKED	28-292K-004
0.75	2	1/2	0.75	13UNC	1.77	1.18	0.39	0.43	1.30	0.31	2.05	10	0.4	STOCKED	28-292K-007
1.5	4	5/8	0.94	11UNC	2.05	1.38	0.55	0.51	1.38	0.37	2.40	30	0.7	STOCKED	28-292K-015
2.3	6	3/4	1.13	10UNC	2.36	1.57	0.63	0.59	1.73	0.50	2.76	70	1.3	STOCKED	28-292K-023
2.3	6	7/8	1.31	9UNC	2.36	1.57	0.63	0.59	1.73	0.50	2.76	150	1.3	STOCKED	28-292K-025
3.2	8	1	1.5	8UNC	2.83	1.89	0.75	0.71	2.05	0.56	3.31	150	2.2	STOCKED	28-292K-032
4.5	12	1 1/4	1.88	7UNC	3.54	2.36	0.94	0.87	2.36	0.63	4.13	350	4.0	STOCKED	28-292K-045
7.0	16	1 1/2	2.25	6UNC	4.29	2.83	1.14	1.06	2.99	0.87	4.96	410	7.0	STOCKED	28-292K-070
9.0	24	1 3/4	2.63	5UNC	4.84	3.23	1.34	1.26	3.46	1.00	5.79	550	11.0	STOCKED	28-292K-090
12.0	32	2	3.00	4.5UNC	5.67	3.70	1.50	1.46	4.09	1.00	6.61	550	16.7	STOCKED	28-292K-120

## Swivel - Lifting Key Eye Points, Metric Thread, Grade 80



- Material: Alloy Steel, Grade 80
- Standard: EN 1677-1, Bolt: ANSI B18.3.1M, ISO 4762
- Finish: Powder Coated, Yellow
- Design Factor: 4:1
- Identification: Trademark, Size/WLL, Batch Code, Grade
- Rated in Metric Ton(s)

WLL (t)		Thread Size			Dimensions (mm)							Torque (Nm)	Wt. (kg)	Price / ea.	Part Number
X	Z	M (mm)	E (mm)	Pitch DIN13	A	B	C	D	F	S	W				
0.3	1	M8	12	1.25	36	25	8	9	25	6	44	10	0.1	STOCKED	28-291K-003
0.4	1	M10	15	1.5	36	25	8	9	25	6	44	10	0.1	STOCKED	28-291K-004
0.75	2	M12	18	1.75	45	30	10	11	33	8	52	10	0.2	STOCKED	28-291K-007
1.5	4	M16	24	2	52	35	14	13	35	10	61	30	0.3	STOCKED	28-291K-015
2.3	6	M20	30	2.5	60	40	16	15	44	12	70	70	0.6	STOCKED	28-291K-023
3.2	8	M24	36	3	72	48	19	18	52	14	84	150	1.0	STOCKED	28-291K-032
4.5	12	M30	45	3.5	90	60	24	22	60	17	105	350	1.8	STOCKED	28-291K-045
7.0	16	M36	54	4	109	72	29	27	76	22	126	410	3.2	STOCKED	28-291K-070
9.0	24	M42	63	4.5	123	82	34	32	88	24	147	550	5.0	STOCKED	28-291K-090
12.0	32	M48	72	5	144	94	38	37	104	27	168	550	7.6	STOCKED	28-291K-120
12.0	32	M56	84	5.5	147	102	40	43	124	27	178	800	9.2	Pricing on Request	28-291K-140
12.0	32	M64	95	6	147	102	40	43	124	27	178	800	10.0	Pricing on Request	28-291K-150

Yoke® Grade 80



- Rotates through 360° adjustable in the direction of the load.
- Manufactured from alloy steel, quenched and tempered. Captive bolt with high WLL.
- Load rated parts are 100% magnaflux crack detected.
- Individual forged parts and cap screw are traceable to Test Certification.
- Bolts are UNC/Metric thread (ASME / ANSI B18.3.1M), specification is grade 10.9 alloy socket head screw per DIN EN ISO 4762.
- Proof tested to 2.5 times the WLL.
- Fatigue rated to 1.5 times the WLL.
- All YOKE Lifting points meet or exceed all the requirements of ASME B30.26.
- Quick and simple assembly, just a tapped hole is required.

**Swivel - Lifting Key Eye Points, UNC Thread, Grade 80**

# of Leg	Load Direction	Part No.	Thread (in)	WLL (t)							
				1	2	1	2	2	2	2	3-4
				0.3	0.6	0.42	0.3	0.3	0.63	0.45	0.3
				0.4	0.8	0.56	0.4	0.4	0.8	0.6	0.4
				0.75	1.5	1	0.75	0.75	1.5	1.1	0.75
				1.5	3	2.1	1.5	1.5	3.1	2.2	1.5
				2.3	4.6	3.2	2.3	2.3	4.8	3.4	2.3
				2.3	4.6	3.2	2.3	2.3	4.8	3.4	2.3
				3.2	6.4	4.5	3.2	3.2	6.7	4.8	3.2
				4.5	9	6.3	4.5	4.5	9.4	6.7	4.5
				7	14	9.8	7	7	14.7	10.5	7
				9	18	12.6	9	9	18.9	13.5	9
				12	24	16.8	12	12	25	18	12

• Rated in Metric Ton(s)

**Swivel - Lifting Key Eye Points, Metric Thread, Grade 80**

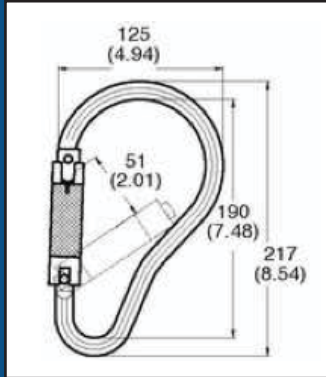
# of Leg	Load Direction	Part No.	Thread (mm)	WLL (t)							
				1	2	1	2	2	2	2	3-4
				0.3	0.6	0.42	0.3	0.3	0.63	0.45	0.3
				0.4	0.8	0.56	0.4	0.4	0.8	0.6	0.4
				0.75	1.5	1	0.75	0.75	1.5	1.1	0.75
				1.5	3	2.1	1.5	1.5	3.1	2.2	1.5
				2.3	4.6	3.2	2.3	2.3	4.8	3.4	2.3
				2.3	4.6	3.2	2.3	2.3	4.8	3.4	2.3
				3.2	6.4	4.5	3.2	3.2	6.7	4.8	3.2
				4.5	9	6.3	4.5	4.5	9.4	6.7	4.5
				7	14	9.8	7	7	14.7	10.5	7
				9	18	12.6	9	9	18.9	13.5	9
				12	24	16.8	12	12	25	18	12
				16	32	22.4	16	16	32	24	16
				18	36	25.2	18	18	36	27	18

• Rated in Metric Ton(s)

Yoke® Grade 80



**Link - Carabiner, Self-Locking, with Captive Pin, N-259G**



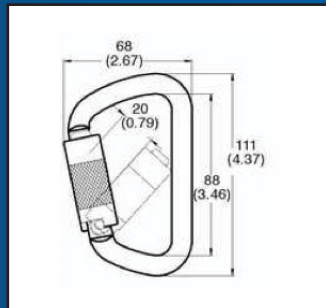
**Captive Pin**

- Material: Steel
- Standard: CSA Z259.12, EN 362, AMSI Z359
- Finish: Yellow Zinc
- Identification: Trademark, Batch Code, Size/WLL



Size	Min. Break Load	Proof Load	Gate Opening	Net Weight	Price	Part Number
125 mm x 217 mm	5000 lb	3600 lb	51 mm	774 g	STOCKED	28-N-259GCP

**Link - Carabiner, Self-Locking, with Captive Pin, N-252G**



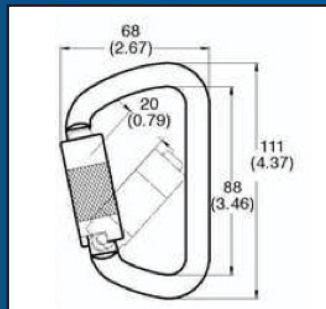
**Captive Pin**

- Material: Steel
- Standard: CSA Z259.12, EN 362, AMSI Z359
- Finish: Yellow Zinc
- Identification: Trademark, Batch Code, Size/WLL



Size	Min. Break Load	Proof Load	Gate Opening	Net Weight	Price/ea.	Part Number
68 mm x 111 mm	5000 lb	3600 lb	20 mm	250 g	STOCKED	28-N-252GCP

**Link - Carabiner, Self-Locking, with Captive Pin, N-256G**



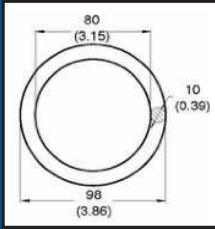
**Captive Pin**

- Material: Steel
- Standard: CSA Z259.12, EN 362, AMSI Z359
- Finish: Yellow Zinc
- Identification: Trademark, Batch Code, Size/WLL



Size	Min. Break Load	Proof Load	Gate Opening	Net Weight	Price / ea.	Part Number
79 mm x 124 mm	5000 lb	3600 lb	24 mm	279 g	STOCKED	28-N-256GCP

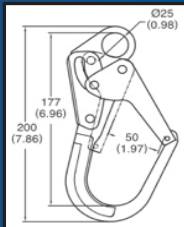
**Link - O-Ring, N-489**



- Material: Forged Steel, Heat Treated
- Standard: CSA Z259.12, EN 362, AMSI Z359
- Finish: Yellow Zinc
- Identification: Trademark, Batch Code, Size/WLL

Size	Min. Break Load	Proof Load	Net Weight	Price / ea.	Part Number
10 mm x 80 mm	5000 lb	3600 lb	198 g	STOCKED	28-N-489

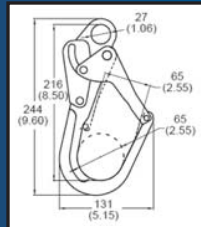
**Hook - Rebar, N-3620**



- Material: Forged Steel, Heat Treated
- Standard: CSA Z259.12, EN 362, AMSI Z359
- Finish: Zinc Plated
- Identification: Trademark, Batch Code, Size/WLL

For Rebar Size (in)	Min. Break Load	Proof Load	Net Weight	Price / ea.	Part Number
1 3/4	5000 lb	3600 lb	543 g	STOCKED	28-N-3620

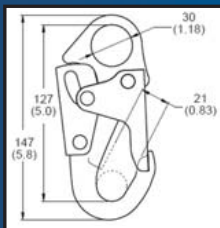
**Hook - Rebar, N-3630**



- Material: Forged Steel, Heat Treated
- Standard: CSA Z259.12, EN 362, AMSI Z359
- Finish: Yellow Zinc
- Identification: Trademark, Batch Code, Size/WLL

Size (in)	Min. Break Load	Proof Load	Net Weight	Price / ea.	Part Number
2 1/4	5000 lb	3600 lb	788 g	STOCKED	28-N-3630

**Hook - Snap, N-3610**



- Material: Forged Steel, Heat Treated
- Standard: CSA Z259.12, EN 362, AMSI Z359
- Finish: Yellow Zinc
- Identification: Trademark, Batch Code, Size/WLL

Lock Type	Min. Break Load	Proof Load	Net Weight	Price / ea.	Part Number
Double Lock	5000 lb	3600 lb	390 g	STOCKED	28-N-3610

**OCEAN Brand Manufactured by YOKE**

**Harness - Back D, 3 Adjustments**



- 1 attachment on the back
- 3 adjustment points on the chest strap & leg straps
- 2 lanyard parking attachment, breaking under 120 lbs
- Regular mating buckles on the chest strap & leg straps for adjustment
- Two fall indicators on the back torso straps
- Compliant / Certified to ANSI Z359.11-2014 & CSA Z259.10-2018



Type	Adjustments	Colour	Price	Part Number
Back D, Buckle Leg	3	Yellow / Black Legs	STOCKED	28-U1301

**Harness - Back D, 3 Adjustments**



- 1 attachment on the back
- 3 adjustment points on the chest strap & leg straps
- 2 lanyard parking attachment, breaking under 120 lbs
- Regular mating buckles on the chest strap
- Grommet adjustment on the leg straps
- Two fall indicators on the back torso straps
- Compliant / Certified to ANSI Z359.11-2014 & CSA Z259.10-2018



Type	Adjustments	Colour	Price	Part Number
Back D, Grommet Leg	3	Yellow / Black Legs	STOCKED	28-U1301G

**Harness - Back D, 5 Adjustments**



- 1 attachment on the back
- 5 adjustment points on the shoulder straps, chest strap & leg straps
- 2 lanyard parking attachment, breaking under 120 lbs
- Regular mating buckles on the chest strap shoulder straps & leg straps for adjustment
- Two fall indicators on the back torso straps
- Compliant / Certified to ANSI Z359.11-2014 & CSA Z259.10-2018



Type	Adjustments	Colour	Price	Part Number
Back D, Buckle Leg	5	Yellow / Blue Legs	STOCKED	28-U1501

Yoke® Fall Arrest



**Harness - Back D, 5 Adjustments**



- 1 attachment on the back
- 5 adjustment points on the shoulder straps, chest strap & leg straps
- 2 lanyard parking attachment, breaking under 120 lbs
- Regular mating buckles on the chest strap & shoulder straps for adjustment
- Grommet adjustment on the leg straps
- Two fall indicators on the back torso straps
- Compliant / Certified to ANSI Z359.11-2014 & CSA Z259.10-2018



Type	Adjustments	Colour	Price	Part Number
Back D, Grommet Leg	5	Yellow / Blue Legs	STOCKED	28-U1501G

**Harness - Back & Side D, 5 Adjustments**



- 3 attachments on the back & waist sides
- 5 adjustment points on shoulder straps, chest strap & leg straps
- 2 lanyard parking attachment, breaking under 120 lbs
- Regular mating buckles on the chest strap, shoulder strap & leg straps for adjustment
- Two fall indicators on the back torso straps
- Compliant / Certified to ANSI Z359.11-2014 & CSA Z259.10-2018



Type	Adjustments	Colour	Price	Part Number
Back & Side D, Buckle Leg	5	Yellow / Blue Legs	STOCKED	28-U3501

**Lanyard - Single**



- Single Leg internal shock absorbing lanyard
- With two snap hooks
- Classification: 6ft.
- Capacity Range 150 lbs - 310 lbs
- Compliant / Certified to ANSI Z359.13-2013 & CSA Z259.11-2017



Type	Length (ft)	Attachments	Price	Part Number
Single	6	Snap / Snap Hook	STOCKED	28-EAL0202

Yoke® Fall Arrest

## Lanyard - Single



- Single Leg internal shock absorbing lanyard
- With one snap hook & one rebar hook
- Classification: 6ft.
- Capacity Range 150 lbs - 310 lbs
- Compliant / Certified to ANSI Z359.13-2013 & CSA Z259.11-2017



Type	Length (ft)	Attachments	Price	Part Number
Single	6	Snap / Rebar Hook	STOCKED	28-EAL1102

## Lanyard - Double



- Twin Legged external shock absorbing lanyard
- With one snap hook & two rebar hooks
- Classification: 6ft.
- Capacity Range 150 lbs - 310 lbs
- Compliant / Certified to ANSI Z359.13-2013 & CSA Z259.11-2017



Type	Length (ft)	Attachments	Price	Part Number
Double	6	Snap / 2 Rebar Hooks	STOCKED	28-EAL2101

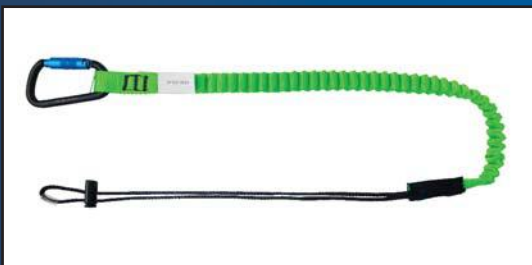
## Tool Lanyard



- Tool tether with bungee & tubular webbing
- With a screw locking steel carabiner at the end
- Non-stretched length: 38" (97cm)
- Full extended length: 51" (130cm)
- Max. Capacity: 15.0 lbs
- Conforms to ANSI/ISEA 121-2018

Capacity (lb)	Attachment	Price	Part Number
15	Steel Caribiner	STOCKED	28-TL01-15-01

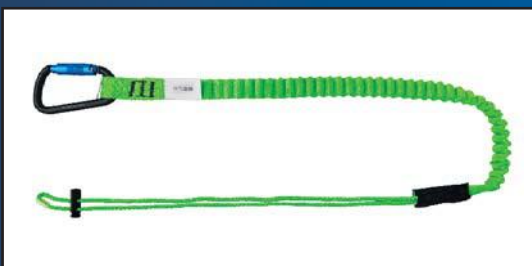
## Tool Lanyard



- Tool tether with bungee & tubular webbing
- With a twist locking aluminum carabiner at the end (Yoke N-2301-CP)
- Non-stretched length: 38" (97cm)
- Full extended length: 51" (130cm)
- Max. Capacity: 15.0 lbs
- Conforms to ANSI/ISEA 121-2018

Capacity (lb)	Attachment	Price	Part Number
15	Aluminum Caribiner	STOCKED	28-TL01-15-03

## Tool Lanyard



- Tool tether with bungee & tubular webbing
- With a twist locking aluminum carabiner with pin (Yoke N-2301-CP)
- Non-stretched length: 38" (97cm)
- Full extended length: 51" (130cm)
- Max. Capacity: 30.0 lbs
- Conforms to ANSI/ISEA 121-2018

Capacity (lb)	Attachment	Price	Part Number
30	Aluminum Caribiner	STOCKED	28-TL02-30

Yoke® Fall Arrest



**Link - Master Link, Forged, Grade 80, Yoke®**



- Material: Alloy Steel, Grade 80 (Yoke)
- Standard: EN 1677-4
- Finish: Powder Coated, Yellow
- Design Factor: 5:1 (4:1 Scaw)
- Identification: Trademark, Size/WLL, Batch Code, Grade (Yoke)



WLL (lb)	*Trade Size (in)	Chain Size (in)		I.L. (in)	I.W. (in)	Dia. (in)	Wt. / ea. (lb)	Qty. / Box	Standard 8-003	
		1-Leg	2-Leg						Price / ea.	Part Number
7000	1/2	1/4 - 5/16	7/32	4.72	2.76	0.55	1.1	50	STOCKED	28-1/2"ML
9000	5/8	3/8	1/4 - 5/16	5.51	3.15	0.67	1.6	30	STOCKED	28-5/8"ML
12 300	3/4	1/2	-	5.91	3.54	0.75	2.4	20	STOCKED	28-3/4"ML
14 000	7/8	1/2	3/8	6.30	3.74	0.87	3.5	16	STOCKED	28-7/8"ML
24 360	1	5/8	-	7.48	4.33	0.98	5.1	7	STOCKED	28-1"ML
30 000	1 1/8	5/8	1/2	7.09	4.13	1.10	5.9	8	STOCKED	28-1-1/8"ML
36 000	1 1/4	3/4	-	7.87	4.72	1.18	7.6	5	STOCKED	28-1-1/4"ML
42 000	1 3/8	7/8	5/8	9.45	5.51	1.34	11.7	4	STOCKED	28-1-3/8"ML
54 300	1 1/2	1	-	9.84	5.91	1.50	15.8	3	STOCKED	28-1-1/2"ML

**Scaw Metals - Welded Master Links**

WLL (lb)	*Trade Size (in)	Inside Length (in)	Inside Width (in)	Dia. (in)	Wt./ea. (lb)	Qty. / Box	Price / ea.	Part Number
77 162	1 3/4	11.75	7.07	1.77	26.8	bulk	STOCKED	28-1-3/4"ML
194 600	2 3/4	19.00	10.25	2.75	97.6	bulk	STOCKED	28-2-3/4"ML

\*Note: Above Scaw Master Links are being replaced by DNV certified rings as stock depletes, if no price is present see page 159 for its replacement part number.

Lifting Rings



Yoke Plant - CNC Machines



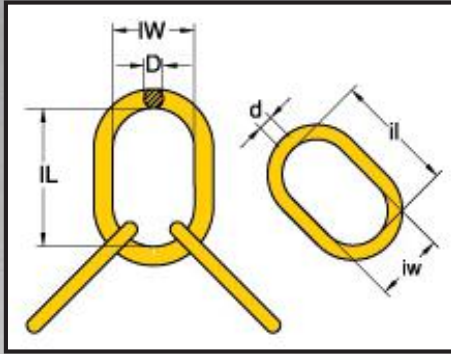
Yoke Plant - Forging Press 2500 Ton & 1500 Ton





## Link - Master Link Assembly, Scaw Metals®

Designed for use with chain & wire rope



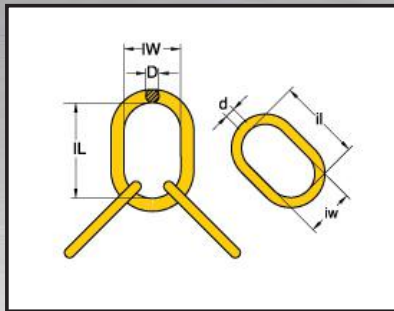
- Working Load Limits are rated at an angle of 45° to the horizontal
- Material: Alloy Steel
- Standard: EN 1677-4, ASME B30.26
- Finish: Powder Coated, Yellow
- Design Factor: 4:1 (5:1 Wire Rope)
- Identification: Trademark, Size/WLL, Batch Code
- Rated in Metric Ton(s)

WLL 45° @4:1 (t)	WLL 45° @5:1 (t)	Dimensions (mm)						Weight (kg)	Price / ea.	Part Number
		D	IL	IW	d	il	iw			
4.15	3.32	16	150	75	16	90	50	1.3	See page 160	28-7-8MLA
5.8	4.64	22	270	140	16	150	75	3.8	See page 160	28-5/16MLA
8.5	6.8	22	162	90	20	140	70	3.6	See page 160	28-3/8MLA
14.5	11.6	28	200	110	22	140	70	5.5	See page 160	28-1/2MLA
23	18.4	36	270	140	28	190	100	11.9	See page 160	28-5/8MLA
35	28	45	320	175	36	225	125	23.5	STOCKED	28-3/4MLA
60	48	60	430	230	50	350	195	63.9	See page 160	28-1MLA
85.2	68.16	70	480	260	60	410	220	102.6	STOCKED	28-1-1/4MLA

\*Note: Above Sub Assemblies are being replaced by DNV certified rings as stock depletes, if no price is present see page 160 for its replacement part number.

## Link - Master Link Assembly, Scaw Metals®

Designed for use with chain only!



- Working Load Limits are rated at an angle of 45° to the horizontal
- Material: Alloy Steel
- Standard: EN 1677-4, ASME B30.26
- Finish: Powder Coated, Yellow
- Design Factor: 4:1
- Identification: Trademark, Size/WLL, Batch Code
- Rated in Metric Ton(s)

WLL 45° @4:1 (t)	Dimensions (mm)						Weight (kg)	Price / ea.	Part Number
	D	IL	IW	d	il	iw			
45	50	370	205	40	145	85	26.9	STOCKED	28-7/8MLACHAIN

Lifting Rings



**Certified to DNV 2.7-1, type approval no. S-7732**

For offshore container lifting and cold weather use with Charpy V-notch impact Value's of > 42 Joule At -40°C. All DNV links are specially heat treated after proof testing to minimize the risk of hydrogen embrittlement and stress corrosion cracking. Every link is batch coded for certificate recognition.

**Limited supply, while stock quantities last.  
See page 166 for new triple alloy steel replacement**

**Link - Master Link, DNV 2.7-1**



- Material: Alloy Steel
- Standard: EN 1677-4, ASME B30.26, DNV 2.7-1
- Finish: Painted Orange
- Design Factor: 5:1(Wire Sling)
- Identification: Trademark, Size/WLL, Batch Code
- Rated in Metric Ton(s)
- \*Note: Limited supply.

Type	Old Part #	Dimensions (mm)			WLL (t)	Wt. / ea. (kg)	Price / ea.	Part Number
		Dia.	Inside Legth	Inside Width				
OML160DNV	N/A	16	150	75	4.1	0.7	STOCKED	2-MA16ML
OML220DNV	N/A	22	270	140	5.8	2.3	STOCKED	2-MA22ML
OML250DNV	N/A	25	270	140	8.83	3.3	STOCKED	2-MA25ML
OML280DNV	N/A	28	270	140	14.5	3.8	STOCKED	2-MA28ML
OML320DNV	N/A	32	270	140	17.1	5.1	STOCKED	2-MA32ML
OML360DNV	N/A	36	270	140	23.0	6.5	STOCKED	2-MA36ML
OML400DNV	N/A	40	280	155	28.1	8.5	STOCKED	2-MA40ML
OML450DNV	28-1-3/4"ML	45	320	175	38.3	12.2	STOCKED	2-MA45ML
OML500DNVS	28-2"ML	50	350	195	45.0	16.6	STOCKED	2-MA50ML
OML600DNV	28-2-1/4"ML	60	430	220	65.0	29.2	STOCKED	2-MA60ML
OML700DNV	28-2-3/4"ML	70	480	250	85.0	44.3	STOCKED	2-MA70ML
OML900DNV	N/A	90	500	300	150.0	86.0	STOCKED	2-MA90ML

\*Note: Some of the links have been moved to page 165 in the Triple Alloy Steel chart



**Lifting Rings**





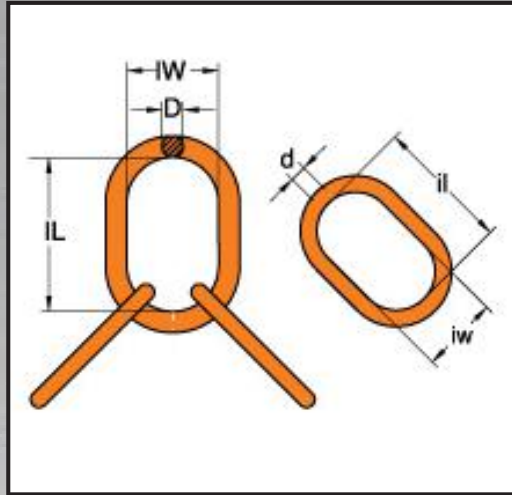
## Certified to DNV 2.7-1, type approval no. S-7732

For offshore container lifting and cold weather use with Charpy V-notch impact Value's of > 42 Joule At -40°C. All DNV links are specially heat treated after proof testing to minimize the risk of hydrogen embrittlement and stress corrosion cracking. Every link is batch coded for certificate recognition.

**Limited supply, while stock quantities last.**

**See page 166 for new triple alloy steel replacement**

### Link - Master Link Assembly, DNV 2.7-1



- Material: Alloy Steel
- Standard: EN 1677-4, ASME B30.26, DNV 2.7-1
- Finish: Painted Orange
- Design Factor: 5:1 (Wire Sling)
- Identification: Trademark, Size/WLL, Batch Code
- Rated in Metric Ton(s)



Lifting Rings

Type	Old Part Number	Dimensions (mm)						WLL 4:1 (t)	WLL 5:1 (t)	Wt./ea. (kg)	Price / ea.	Part Number
		D	IL	IW	d	il	iw					
OSA160DNV	28-7/8MLA	16	150	75	14.5	125	60	5.1	4.1	1.3	STOCKED	2-MA16QA
OSA230DNV	28-5/16MLA	22	270	140	16	150	75	7.2	5.8	3.8	STOCKED	2-MA23QA
OSA220SDNV	28-3/8MLA	22	162	90	20	140	70	11.0	8.83	3.6	STOCKED	2-MA22QAS
OSA260DNV	N/A	28	270	140	20	140	70	14.5	11.8	5.9	STOCKED	2-MA26QA
OSA280SDNV	28-1/2MLA	28	200	110	22	140	70	18.1	14.5	5.5	STOCKED	2-MA28QAS
OSA320DNV	N/A	32	270	140	25	190	102	21.3	17.1	9.7	STOCKED	2-MA32QA
OSA360DNV	28-5/8MLA	36	270	140	28	190	100	28.7	23.0	11.9	STOCKED	2-MA36QA
OSA400DNV	N/A	40	280	155	32	200	110	35.1	28.1	16.4	STOCKED	2-MA40QA
OSA450DNV	28-3/4MLA	45	320	175	36	225	125	47.8	38.3	23.5	STOCKED	2-MA45QA
OSA500DNV	28-7/8MLA	50	350	195	40	260	130	56.2	45.0	32.3	STOCKED	2-MA50QA
OSA600DNV	28-1MLA	60	410	220	50	350	195	81.2	65.0	63.9	STOCKED	2-MA60QA
OSA700DNV	28-1-1/4MLA	70	480	260	60	410	220	106.2	85.0	102.6	STOCKED	2-MA70QA
OSA900DNV	N/A	90	510	300	70	400	200	187.5	150.0	164.1	STOCKED	2-MA90QA

\*Note: Some of the links have been moved to page 166 in the Triple Alloy Steel chart

- Working Load Limits are rated at an angle of 45° to the horizontal.
- Operational temperature range -40°C to +200°C
- Certified for compliance with DNV GL 2.7-1





**New Style Links made from triple alloy steel with a higher Working Load Limit, these will eventually replace the older style links**

Certified to DNV 2.7-1, type approval no. S-7732

For offshore container lifting and cold weather use with Charpy V-notch impact Value's of > 42 Joule At -40°C. All DNV links are specially heat treated after proof testing to minimize the risk of hydrogen embrittlement and stress corrosion cracking. Every link is batch coded for certificate recognition.

**Link - Master Link, DNV 2.7-1+**



- Material: Triple Alloy Steel
- Standard: EN 1677-4, ASME B30.26, DNV 2.7-1
- Finish: Painted Orange
- Design Factor: 5:1(Wire Sling)
- Identification: Trademark, Size/WLL, Batch Code
- Rated in Metric Ton(s)

Type	Dimensions (mm)			WLL 5:1 (t)	Wt. / ea. (kg)	Price / ea.	Part Number
	Dia.	Inside Leghth	Inside Width				
OML160DNV	16.0	150	75	4.10	0.68	STOCKED	2-MA16MLS
OML220DNV	22.0	270	140	7.0	2.28	STOCKED	2-MA22MLS
OML250DNV	25.5	270	140	9.3	3.11	STOCKED	2-MA25MLS
OML280DNV	28.0	270	140	19.5	3.78	N/A	2-MA28MLS
OML320DNV	32.0	270	140	19.0	5.02	N/A	2-MA32MLS
OML360DNV	36.0	270	140	26.0	6.46	N/A	2-MA36MLS
OML400DNV	40.0	280	155	30.5	8.46	N/A	2-MA40MLS
OML450DNV	45.0	320	175	40.0	12.18	STOCKED	2-MA45MLS
OML500DNVS	50.0	350	195	51.0	16.54	STOCKED	2-MA50MLS
OML650DNV	65.0	410	220	75.0	33.02	STOCKED	2-MA65ML
OML750DNV	75.0	450	250	100.0	48.98	STOCKED	2-MA75ML

**Lifting Rings**



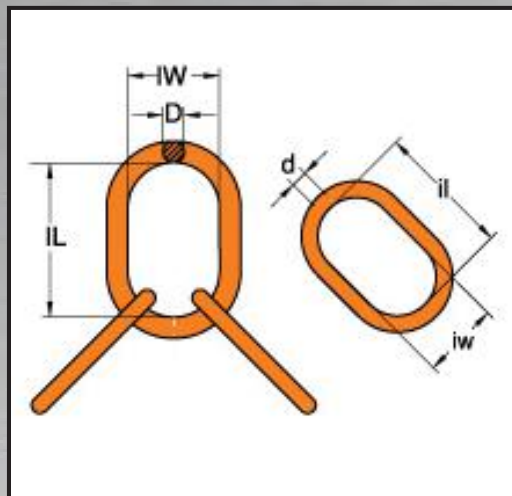


## New Style Links made from triple alloy steel with a higher Working Load Limit, these will eventually replace the older style links

Certified to DNV 2.7-1, type approval no. S-7732

For offshore container lifting and cold weather use with Charpy V-notch impact Value's of > 42 Joule At -40°C. All DNV links are specially heat treated after proof testing to minimize the risk of hydrogen embrittlement and stress corrosion cracking. Every link is batch coded for certificate recognition.

### Link - Master Link Assembly, DNV 2.7-1+



- Material: Triple pAlloy Steel
- Standard: EN 1677-4, ASME B30.26, DNV 2.7-1
- Finish: Painted Orange
- Design Factor: 5:1 (Wire Sling)
- Identification: Trademark, Size/WLL, Batch Code
- Rated in Metric Ton(s)



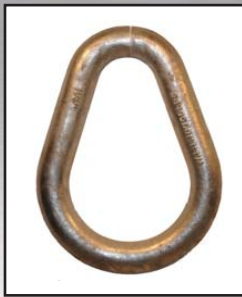
Type	Dimensions (mm)						WLL 5:1 (t)	Wt./ea. (kg)	Price / ea.	Part Number
	D	IL	IW	d	il	iw				
OSA160DNV	16	150	75	14.5	125	60	4.1	1.3	STOCKED	2-MA16QA
OSA230DNV	22.0	270	140	22	162	90	7.0	5.22	N/A	2-MA23QAS
OSA220SDNV	22.0	162	90	22	162	90	11.0	4.41	STOCKED	2-MA22QASS
OSA250DNVS	25.5	270	140	22	162	90	9.30	6.05	N/A	2-MA25QASS
OSA260DNVS	28.0	270	140	22	162	90	14.5	5.89	STOCKED	2-MA26QAS
OSA280SDNV	28.0	200	110	22	162	90	14.5	6.73	STOCKED	2-MA28QASS
OSA320DNV	32.0	270	140	28	200	110	19.0	10.92	N/A	2-MA32QAS
OSA360DNV	36.0	270	140	28	200	110	26.0	12.35	N/A	2-MA36QAS
OSA400DNV	40.0	280	155	32	270	140	30.5	18.5	STOCKED	2-MA40QAS
OSA450DNV	45.0	320	175	36	270	140	40.0	25.09	N/A	2-MA45QAS
OSA500DNVS	50.0	350	195	45	320	175	51.0	40.89	STOCKED	2-MA50QAS
OSA650DNV	65.0	410	220	50	350	195	75.0	66.1	STOCKED	2-MA65QA
OSA750DNV	75.0	450	250	65	410	220	100.0	115.02	STOCKED	2-MA75QA

- Working Load Limits are rated at an angle of 45° to the horizontal.
- Operational temperature range -40°C to +200°C
- Certified for compliance with DNV GL 2.7-1

Lifting Rings



## Link - Pear, Weldless Sling



- Standard: RR-C-271F
- Design Factor: 5:1
- Finish: Galvanized
- Identification: Trademark, Size/WLL, Batch Code

Size (in)	WLL (lb)	Weight (lb)	Inside Length (in)	I. Width Sm. End (in)	I. Width Lg. End (in)	Price / ea.	Part Number
3/8	1800	0.13	2-1/4	3/4	1-1/2	STOCKED	6-3/8"PLG
1/2	2900	0.55	3	1	2	STOCKED	6-1/2"PLG
5/8	4200	1.10	3-3/4	1-1/4	2-1/2	STOCKED	6-5/8"PLG
3/4	6000	1.95	4-1/2	1-1/2	3	STOCKED	6-3/4"PLG
7/8	8300	2.78	5-1/4	1-3/4	3-1/2	STOCKED	6-7/8"PLG
1	10 800	4.30	6	2	4	STOCKED	6-1"PLG
1 1/4	16 750	8.50	7-3/4	2-1/2	5	STOCKED	6-1-1/4"PLG

## Link - Master Link, Ocean Brand®

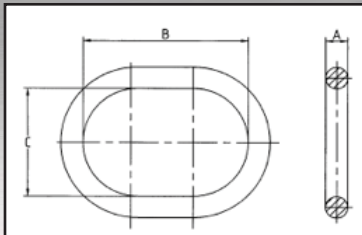


- Finish: Painted Yellow
- Design Factor: 5:1
- Identification: Trademark, Size/WLL, Batch Code

Size (in)	WLL (lb)	Qty./ Box	Weight (lb)	Dimension (in)			Price / ea.	Part Number
				Dia.	In. Width	In. Length		
1/2	7000	40	0.8	0.500	2.5	5	STOCKED	75-1/2"ML
5/8	9000	30	1.5	0.625	3	6	STOCKED	75-5/8"ML
7/8	14 000	16	3.3	0.874	3.5	7	STOCKED	75-7/8"ML

## Link - Master Link, Large

Made in Holland



MBL (t)	WLL (t)	Dia. (mm)	In. Length (mm)	In. Width (mm)	Wt./ea. (kg)	Price / ea.	Part Number
525	105	80	450	250	56	Pricing on Request	116-ML105T
1250	250	115	600	400	163		116-ML250T
2000	500	175	800	400	603		116-ML500T
4000	1000	240	900	400	1226		116-ML1000T
6000	1500	270	1000	400	1712		116-ML1500T

- Material: High Alloy Steel
- Design Factor: 4:1
- Identification: Trademark, Size/WLL, Batch Code
- Rated in Metric Ton(s)

\*More sizes available from 105 to 1500 tonne WLL

## Ring - Round, Weldless



Size (in)	WLL (lb)	Weight (lb)	Dimension (in)			Price / ea.	Part Number
			Dia.	I.D.	O.D.		
7/8 x 4	7200	2.72	7/8	4.00	5.75	STOCKED	6-7/8X4RR
7/8 x 5 1/2	5600	3.47	7/8	5.50	7.25	STOCKED	6-7/8X5-1/2RR
1 x 4	10 800	3.69	1	4.00	6.00	STOCKED	6-1X4RR
1 1/8 x 6	10 400	6.60	1 1/8	6.00	8.25	STOCKED	6-1-1/8X6RR
1 1/4 x 5	17 000	8.36	1 1/4	5.00	7.50	STOCKED	6-1-1/4X6RR
1 1/4 x 10	17 000	12.65	1 1/4	10.00	12.50	STOCKED	6-1-1/4X10RR

- Standard: RR-C-271F
- Finish: Painted Yellow
- Design Factor: 6:1
- Identification: Trademark, Size/WLL, Batch Code

## Ring - Round



**Stainless Steel:**

Size (in)	Dia. (in)	I.D. (in)	O.D. (in)	Price / ea.	Part Number
1/4 x 2	1/4	2.00	2.50	STOCKED	6-1/4x2SSRR
5/16 x 2	5/16	2.00	2.62	STOCKED	6-5/16x2SSRR
3/8 x 2-1/2	3/8	2.50	3.25	STOCKED	6-3/8x21/2SSRR
1/2 x 3	1/2	3.00	4.00	STOCKED	6-1/2x3SSRR

**Zinc:**

Size (in)	Dia. (in)	I.D. (in)	O.D. (in)	Price / ea.	Part Number
1/4 x 3	1/4	3.00	3.50	STOCKED	6-1/4x3RR

- Not Load Rated



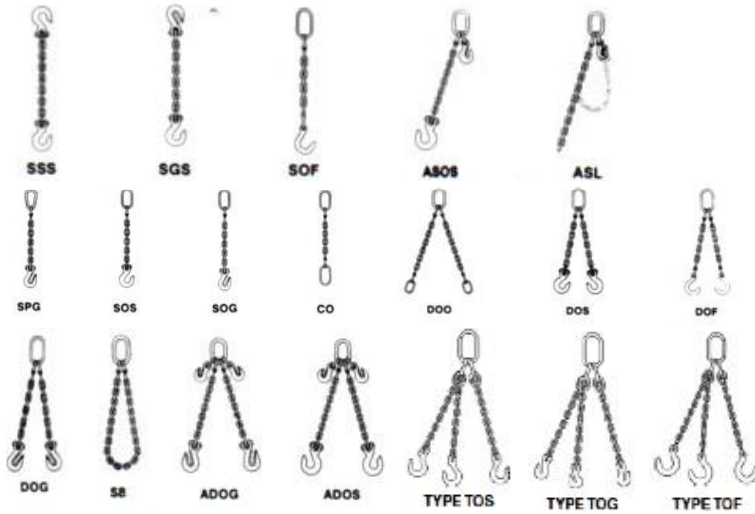


## Chain Slings - Sling Chart, Chain

### GRADE 80 / GRADE 100 CHAIN SLINGS MADE TO ORDER!

Simply call and tell us what size, type and grade you are looking for and we will get back to you right away with a competitive price. Chain slings are fully certified and proof tested.

See Chain sling charts below for Working Load Limits.



#### First Symbol (basic type)

S - Single chain sling  
 C - Single choker chain sling with a standard end link on each end, no hooks  
 D - Double branch chain sling

T - Triple branch chain sling  
 Q - Quadruple branch chain sling  
 A - Proceeds symbol if shortening clutches are used








#### Second Symbol (type of master/end link)

O - Oblong master link of standard dimensions  
 P - Pear shaped master link




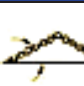



#### Third Symbol (type of hook)

S - Sling hook  
 G - Grab hook  
 F - Foundry hook

### GRADE 80 CHAIN SLING - Working Load Limits Rated in Pounds

Chain Grade 80 Size		Single Leg (lb)	Two Leg (lb)			Three & Four Leg (lb)		
								
Inch	mm	90°	60°	45°	30°	60°	45°	30°
1/4~9/32	7	3500	6100	4900	3500	9100	7400	5200
5/16	8	4500	7800	6400	4500	11700	9500	6800
3/8	10	7100	12300	10000	7100	18400	15100	10600
1/2	13	12000	20800	17000	12000	31200	25500	18000
5/8	16	18100	31300	25600	18100	47000	38400	27100
3/4	20	28300	49000	40000	28300	73500	60000	42400
7/8	22	34200	59200	48400	34200	88900	72500	51300
1	26	47700	82600	67400	47700	123900	101200	71500
1-1/4	32	72300	125200	102200	72300	187800	153400	108400

### GRADE 100 CHAIN SLING - Working Load Limits Rated in Pounds

Chain Grade 100 Size		Single Leg (lb)	Two Leg (lb)			Three & Four Leg (lb)		
								
Inch	mm	90°	60°	45°	30°	60°	45°	30°
1/4~9/32	7	4300	7400	6100	4300	11200	9100	6400
5/16	8	5700	9900	8100	5700	14800	12100	8500
3/8	10	8800	15200	12400	8800	22900	18700	13200
1/2	13	15000	26000	21200	15000	39000	31800	22500
5/8	16	22600	39100	32000	22600	58700	47900	33900
3/4	20	35300	61100	49900	35300	91700	74900	52950
7/8	22	42700	74000	60400	42700	110900	90600	64000

Manila rope is a type of rope made from Manila hemp. Manila hemp is a type of fiber obtained from the leaves of the abaca. It is not actually hemp, but named so because hemp was long a major source of fiber, and other fibers were sometimes named after it. The name refers to the capital of the Philippines, one of the main producers of abaca.

Manila rope is very durable, flexible and resistant to salt water damage, allowing its use in rope, hawsers, ship's lines, and fishing nets.

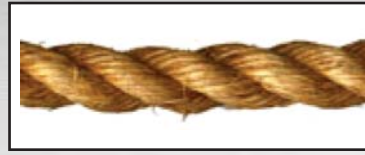
These ropes have passed all routine quality control inspection and testing procedures, and, when new, have a guaranteed breaking strength in accordance with the requirements of US Federal Specification TR-605B, Type M Class 1, Amendment 3.

## Rope - Manila, 3-Strand



- Material: Manila Hemp
- Standard: USFS TR-605B
- Specific Gravity: 1.38 / Sinks

Made of natural fiber it offers low stretch, superb knot holding ability and is biodegradable.



Diameter (in)	Length / Coil (ft)	Breaking Load (lb)	Avg. Weight / coil (lb)	Price / lb	Part Number
1/4	1250	540	25	STOCKED	112-7687A
5/16	1725	900	50	STOCKED	112-7687B
3/8	1220	1215	50	STOCKED	112-7687C
1/2	600	2385	45	STOCKED	112-7687D
5/8	600	3960	80	STOCKED	112-7687E
3/4	600	4860	100	STOCKED	112-7687F
7/8	600	6930	135	STOCKED	112-7687G
1	600	8100	162	STOCKED	112-7687H

• \*Actual Weight per coil may vary!

## Rope - Manila, 4-Strand



- Material: Manila Hemp
- Standard: USFS TR-605B
- Specific Gravity: 1.38 / Sinks

Diameter (in)	Length / coil (ft)	Breaking Load (lb)	Avg. Weight / coil (lb)	Price / lb	Part Number
1	100	8100	28.35	STOCKED	112-7687H4S100
1	300	8100	82.70	STOCKED	112-7687H4S300
1-1/8	125	10 800	47.95	STOCKED	112-7687I4S125
1-1/8	150	10 800	54.95	STOCKED	112-7687I4S150
1-1/8	300	10 800	111.65	STOCKED	112-7687I4S300
1-1/4	300	12 150	129.60	STOCKED	112-7687J4S300

• \*Actual Weight per coil may vary!





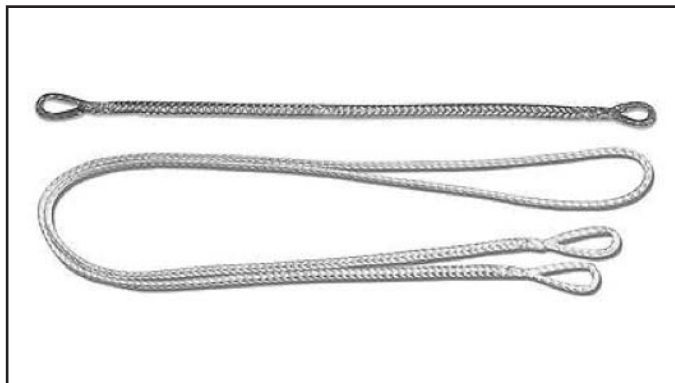
## Rope - DSM Dyneema, 12-Strand

DSM Dyneema is made from ultra-high molecular-weight polyethylene and is an extremely high-strength, low-stretch rope. Dyneema is stronger than steel cable, floats on water and is extremely resistant to abrasion. It is commonly used to replace steel cable when weight is an issue. It also makes an excellent material for winch cables.



### In house splicing available - Call with your specifications

Oceanside Equipment offers Custom Made DSM Dyneema Rope Assemblies for heavy duty marine and industrial towing lines, towing hawser, mooring lines, dock lines, anchor lines, hawsers, construction rope, mining rope, oil field rope, offshore marine rope, oil platform rope, railroad rope, and rope for heavy duty industrial applications. All our lines are custom made-to-order per the customer's specifications.



Stock Colour Options:

Dia.(in)	Stock Colour
1/4 to 1/2	High Visibility Yellow
5/8 & Greater	Grey



Additional colour options are available with custom orders.





## Rope - DSM Dyneema, 12-Strand

- Material: Synthetic DSM Dyneema
- Standard: ISO 9554, 1346
- Finish: Dyed Colour
- Specific Gravity: 0.97 / Floats

Dia. (in)	Dia. (mm)	MBL (lb)	Weight / 100 ft. (lb)	Price / ft	Part Number
3/16 - 1/4	5.5	7055	1.23	STOCKED	17-1/4"D12STR
5/16	8	13 007	2.30	Pricing on Request	17-5/16"D12STR
3/8	10	20 503	3.69	STOCKED	17-3/8"D12STR
7/16	11	25 353	4.70	STOCKED	17-7/16"D12STR
1/2	12	30 424	5.58	STOCKED	17-1/2"D12STR
9/16	14	39 904	7.39	Pricing on Request	17-9/16"D12STR
5/8	16	46 517	8.73	STOCKED	17-5/8"D12STR
3/4	18	65 257	12.36	STOCKED	17-3/4"D12STR
13/16	20	77 823	15.25	Pricing on Request	17-13/16"D12STR
53/64	21	82 012	17.00		17-53/64"D12STR
7/8	22	92 594	18.47	STOCKED	17-7/8"D12STR
1	24	108 026	21.76	STOCKED	17-1"D12STR
1-1/16	26	124 561	25.86	STOCKED	17-26MMD12STR
1-1/8	28	142 639	29.83	STOCKED	17-28MMD12STR
1-1/4	30	164 244	34.93	STOCKED	17-1-1/4"D12STR
1-5/16	32	185 849	39.57	STOCKED	17-1-5/16"D12STR
1-3/8	34	203 927	44.34	Pricing on Request	17-1-3/8"D12STR
1-1/2	36	222 667	48.37	STOCKED	17-1-1/2"D12STR
1-9/16	38	245 815	53.74	Pricing on Request	17-1-9/16"D12STR
1-5/8	40	268 964	59.11	STOCKED	17-1-5/8"D12STR
1-11/16	42	295 419	65.83	Pricing on Request	17-1-11/16"D12STR
1-3/4	44	321 875	72.41	STOCKED	17-1-3/4"D12STR
2	48	365 967	84.91	STOCKED	17-2"D12STR
2-1/16	50	399 036	93.37	Pricing on Request	17-2-1/16"D12STR
2-1/8	52	432 106	102.11		17-2-1/8"D12STR
2-1/4	56	498 244	118.23	STOCKED	17-2-1/4"D12STR
2-1/2	60	562 178	135.02	STOCKED	17-2-1/2"D12STR
2-5/8	64	626 112	151.81	Pricing on Request	17-2-5/8"D12STR
2-3/4	68	707 683	173.98		17-2-3/4"D12STR
3	72	789 254	195.48	STOCKED	17-3"D12STR
3-1/8	76	864 211	216.30	Pricing on Request	17-3-1/8"D12STR
3-1/4	80	936 964	237.13	STOCKED	17-3-1/4"D12STR
3-3/8	82	978 851	249.22	Pricing on Request	17-3-3/8"D12STR
3-1/2	86	1 062 627	273.40		17-3-1/2"D12STR
3-5/8	88	1 106 719	284.82		17-3-5/8"D12STR
3-3/4	92	1 192 699	310.35		17-3-3/4"D12STR
4	96	1 280 884	335.20		17-4"D12STR
4-1/4	104	1 523 392	405.73		17-4-1/4"D12STR
5	120	1 995 400	536.21		17-5"D12STR

- Items priced are in stock.






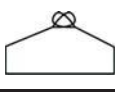


Synthetic & Fiber Rope

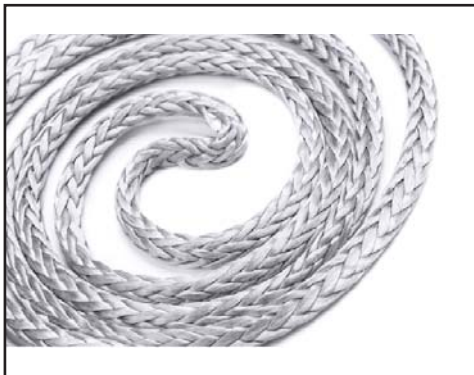


## Slings - Sling Chart, Dyneema (Synthetic Rope), Eye & Eye



Nominal Size				 120° or >				
Dia. (in)	Dia. (mm)	MBL (lb)	Vertical	Choker	90°	60°	45°	30°
1	24	108026	21605	17284	43210	38889	30247	21605
1-1/16	26	124561	24912	19930	49824	44842	34877	24912
1-1/8	28	142639	28528	22822	57056	51350	39939	28528
1-1/4	30	164244	32849	26279	65698	59128	45988	32849
1-5/16	32	185849	37170	29736	74340	66906	52038	37170
1-3/8	34	203927	40785	32628	81571	73414	57100	40785
1-1/2	36	222667	44533	35627	89067	80160	62347	44533
1-9/16	38	245815	49163	39330	98326	88493	68828	49163
1-5/8	40	268964	53793	43034	107586	96827	75310	53793
1-11/16	42	295419	59084	47267	118168	106351	82717	59084
1-3/4	44	321875	64375	51500	128750	115875	90125	64375
2	48	365967	73193	58555	146387	131748	102471	73193
2-1/16	50	399036	79807	63846	159614	143653	111730	79807
2-1/8	52	432106	86421	69137	172842	155558	120990	86421
2-1/4	56	498244	99649	79719	199298	179368	139508	99649
2-1/2	60	562178	112436	89948	224871	202384	157410	112436
2-5/8	64	626112	125222	100178	250445	225400	175311	125222
2-3/4	68	707683	141537	113229	283073	254766	198151	141537
3	72	789254	157851	126281	315702	284131	220991	157851
3-1/8	76	864211	172842	138274	345684	311116	241979	172842
3-1/4	80	936964	187393	149914	374786	337307	262350	187393
3-3/8	82	978851	195770	156616	391540	352386	274078	195770
3-1/2	86	1062627	212525	170020	425051	382546	297536	212525
3-5/8	88	1106719	221344	177075	442688	398419	309881	221344
3-3/4	92	1192699	238540	190832	477080	429372	333956	238540
4	96	1280884	256177	204941	512354	461118	358648	256177
4-1/4	104	1523392	304678	243743	609357	548421	426550	304678
5	120	1995400	399080	319264	798160	718344	558712	399080

Synthetic & Fiber Rope








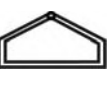
Tensile strengths are determined in accordance with Cordage Institute 1500.2. Test Methods for Fiber Rope.

Minimum Breaking Loads (MBL) published assumes standard eye splices at each end of the rope. Minimum D/d 3:1



**Slings - Sling Chart, Dyneema (Synthetic Rope), Endless Grommet**



Nominal Size				 120° or >				
Dia. (in)	Dia. (mm)	MBL (lb)	Vertical	Choker	90°	60°	45°	30°
1	24	178243	35649	28519	64167	54542	44917	35649
1-1/16	26	205526	41105	32884	73989	62891	51792	41105
1-1/8	28	235354	47071	37657	84728	72018	59309	47071
1-1/4	30	271003	54201	43360	97561	82927	68293	54201
1-5/16	32	306651	61330	49064	110394	93835	77276	61330
1-3/8	34	336480	67296	53837	121133	102963	84793	67296
1-1/2	36	367401	73480	58784	132264	112425	92585	73480
1-9/16	38	405595	81119	64895	146014	124112	102210	81119
1-5/8	40	443791	88758	71006	159765	135800	111835	88758
1-11/16	42	487441	97488	77991	175479	149157	122835	97488
1-3/4	44	531094	106219	84975	191194	162515	133836	106219
2	48	603846	120769	96615	217384	184777	152169	120769
2-1/16	50	658409	131682	105346	237027	201473	165919	131682
2-1/8	52	712975	142595	114076	256671	218170	179670	142595
2-1/4	56	822103	164421	131536	295957	251563	207170	164421
2-1/2	60	927594	185519	148415	333934	283844	233754	185519
2-5/8	64	1033085	206617	165294	371911	316124	260337	206617
2-3/4	68	1167677	233535	186828	420364	357309	294255	233535
3	72	1302269	260454	208363	468817	398494	328172	260454
3-1/8	76	1425948	285190	228152	513341	436340	359339	285190
3-1/4	80	1545991	309198	247358	556557	473073	389590	309198
3-3/8	82	1615104	323021	258417	581437	494222	407006	323021
3-1/2	86	1753335	350667	280534	631200	536520	441840	350667
3-5/8	88	1826086	365217	292174	657391	558782	460174	365217
3-3/4	92	1967953	393591	314873	708463	602194	495924	393591
4	96	2113459	422692	338153	760845	646718	532592	422692
4-1/4	104	2513597	502719	402175	904895	769161	633426	502719
5	120	3292410	658482	526786	1185268	1007477	829687	658482

**Synthetic & Fiber Rope**



Tensile strengths are determined in accordance with Cordage Institute 1500.2. Test Methods for Fiber Rope.  
 Minimum Breaking Loads (MBL) published assumes standard eye splices at each end of the rope. Minimum D/d 3:1





# OCEAN STEEL LINE ROPE

## Rope - Ocean Steel Line, 3-Strand, Aqua



- Material: Synthetic Polypropylene
- Standard: ISO 9554, 1346
- Finish: Dyed Aqua Green, with Yellow Tracer
- Lay: Medium
- Specific Gravity: 0.91 / Floats

Dia. (in)	Qty. / Coil (ft)	MBL (lb)	Est. Weight / Coil (lb)	Price / lb	Part Number
1/4	1200	1670	13.2	STOCKED	17-1/4"AGML1200
5/16	1200	3170	24.2	STOCKED	17-5/16"AGML1200
3/8	1200	3920	35.2	STOCKED	17-3/8"AGML1200
7/16	1200	4800	44	STOCKED	17-7/16"AGML1200
1/2	1200	6870	62	STOCKED	17-1/2"AGML1200
9/16	1200	9560	72.7	STOCKED	17-9/16"AGML1200
5/8	1200	11 500	92.4	STOCKED	17-5/8"AGML1200
3/4	1200	14 600	119	STOCKED	17-3/4"AGML1200
7/8	600	21 100	88.2	STOCKED	17-7/8"AGML600
1	600	24 300	104.7	STOCKED	17-1"AGML600
1-1/8	600	31 600	141	STOCKED	17-1-1/8"AGSL600
1-1/4	600	34 600	185	STOCKED	17-1-1/4"AGML600
1-1/4	1200	34 600	370	STOCKED	17-1-1/4"AGML1200
1-1/2	600	53 300	236	STOCKED	17-1-1/2"AGML600
2	720	87 800	547	STOCKED	17-2"AGML720

Synthetic & Fiber Rope





Polypropylene (PP), also known as polyprop, is a thermoplastic polymer, made by the chemical industry and used in a wide variety of applications. It is rugged and unusually resistant to many chemical solvents, bases and acids. Polypropylene rope has nearly twice the strength of Manila rope when compared size to size. The rope has positive buoyancy (floats) and doesn't absorb water, rot or decay. It's resistant to acid, alkali and most chemicals. When not in use the rope should be stored away from direct sun light. Recommended usages are mooring, dock and anchor line, boat life-line, tarpaulin line, tent tie down, pool barrier line, public utility and general use in home, farm and industry.

### Rope - Ocean Steel Line, 8-Strand, Gold



- Material: Synthetic Polypropylene
  - Standard: ISO 2307
  - Finish: Dyed Gold, with Red Tracer
  - Lay: Medium
- Specific Gravity: 0.91 / Floats

Circ.(in)	Dia.(in)	Qty. / Coil (ft)	Weight / 100 ft (lb)	Breaking Strength (lb)	Est. Weight / Coil (lb)	Price / lb	Part Number
5	1-5/8	720	53.1	62 500	382	STOCKED	8-5"SDAN
6	2	720	80.2	91 400	577	STOCKED	8-6"SDAN
7	2-1/4	720	108.5	120 600	781	STOCKED	8-7"SDAN
8	2-5/8	720	141.1	155 000	1015	STOCKED	8-8"SDAN
9	3	720	178.1	197 100	1282	STOCKED	8-9"SDAN

### Rope - Ocean Steel Line, 3-Strand, Yellow



- Material: Synthetic Polypropylene
  - Standard: ISO 9554, 1346
  - Finish: Dyed Yellow, with Blue Tracer
  - Lay: Medium
- Specific Gravity: 0.91 / Floats

Diameter (in)	Qty/ / Coil (ft)	Breaking Strength (lb)	Est. Weight / Coil (lb)	Price / lb	Part Number
1/4	1200	1670	13.3	STOCKED	8-1/4"SDAN
5/16	1200	3170	26.4	STOCKED	8-5/16"SDAN
3/8	1200	3920	35.3	STOCKED	8-3/8"SDAN
1/2	600	6870	30.9	STOCKED	8-1/2"SDAN
5/8	600	11 500	46.3	STOCKED	8-5/8"SDAN
3/4	600	14 600	59.6	STOCKED	8-3/4"SDAN
7/8	600	21 100	97.8	STOCKED	8-7/8"SDAN
1	600	24 300	104.7	STOCKED	8-1"SDAN







## Rope - Polypropylene, Jumbo, 8-Strand, Yellow



- Jumbo Plastic Reels,
  - General Purpose, commercial grade
  - Material: Synthetic Polypropylene
  - Standard: ISO 2307
  - Finish: Dyed Yellow
  - Lay: Soft
- Specific Gravity: 0.91 / Floats

Diameter (in)	Qty. / Reel (ft)	Break Load (lb)	Price / Reel	Part Number
3/16	2125	720	STOCKED	8-3/16"PJR
1/4	1300	1050	STOCKED	8-1/4"PJR
5/16	975	1700	STOCKED	8-5/16"PJR
3/8	630	2450	STOCKED	8-3/8"PJR
1/2	335	3600	STOCKED	8-1/2"PJR
5/8	200	5500	STOCKED	8-5/8"PJR
3/4	125	8000	STOCKED	8-3/4"PJR

## Rope - Sail Twine, Waxed



- Material: Synthetic Fiber
- Finish: Waxed

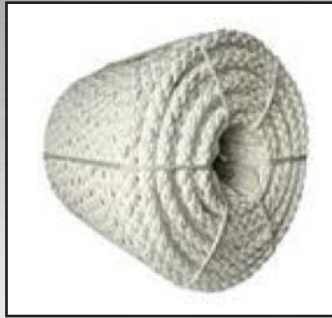
Size	Price / ea	Part Number
1/4 lb	STOCKED	125-1/4LBST

\* For whipping rope ends, splicing, reinforcing sail fittings and general sail sewing and repair!



Nylon is a generic designation for a family of synthetic polymers known generically as polyamides, first produced on February 28, 1935, by Wallace Carothers at DuPont's research facility at the DuPont Experimental Station. Nylon is one of the most commonly used polymers. Nylon rope exceeds twice the strength of Manila rope. It has high elongation (under load) when compared to other synthetic ropes. Nylon has higher energy absorption under shock and good abrasion resistance. When combined, these characteristics makes nylon rope the best in handling compared to other synthetics. It's utilized extensively in marine use such as mooring lines, towing slings, commercial fishing, utility rope, leisure boat, sailing etc. This rope does not float.

## Rope - Nylon, 8-Strand



- Material: Synthetic Polymer
- Standard: ISO 9554, 1140
- Tested to: ISO 2307
- Finish: White
- Lay: Medium
- Specific Gravity: 1.14 / Sinks

Circ. (in)	Diameter (in)	Qty. / Coil (ft)	Est. Weight / Coil (lb)	Break Strength (lb)	Price / lb	Part Number
8	2-5/8	720	1219	162 000	<b>Pricing on Request</b>	<b>8-8"NYLON</b>
9	3	720	1543	200 000		<b>8-9"NYLON</b>

• \*Actual Weight per Coil may vary

## Rope - Nylon, 3-Strand



- Material: Synthetic Polymer
- Standard: ISO 9554, 1140
- Tested to: ISO 2307
- Finish: White
- Lay: Medium
- Specific Gravity: 1.14 / Sinks

Diameter (in)	Est. Qty. / Reel (ft)	Est. Weight / Reel (lb)	Break Loads (lb)	Price / lb	Part Number
1/4	1200	18.74	1540	<b>STOCKED</b>	<b>8-1/4"NYLON</b>
5/16	1200	33.06	2860	<b>STOCKED</b>	<b>8-5/16"NYLON</b>
3/8	1200	50.7	3696	<b>STOCKED</b>	<b>8-3/8"NYLON</b>
1/2	600	42.98	6600	<b>STOCKED</b>	<b>8-1/2"NYLON</b>
5/8	600	63.92	11 660	<b>STOCKED</b>	<b>8-5/8"NYLON</b>
3/4	600	90.37	16 500	<b>STOCKED</b>	<b>8-3/4"NYLON</b>
7/8	600	121	22 000	<b>STOCKED</b>	<b>8-7/8"NYLON</b>
1	600	160	28 380	<b>STOCKED</b>	<b>8-1"NYLON</b>
1-1/8	600	204	34 760	<b>STOCKED</b>	<b>8-1-1/8"NYLON</b>
1-1/4	600	240	44 000	<b>STOCKED</b>	<b>8-1-1/4"NYLON</b>
1-1/2	600	330	59 620	<b>STOCKED</b>	<b>8-1-1/2"NYLON</b>

• \*Actual Weight per Coil may vary



## Rope - Nylon, Jumbo, 3-Strand



- **Jumbo Plastic Reels**
- Material: Synthetic Polymer
- Standard: ISO 9554, 1140
- Tested to: ISO 2307
- Finish: White
- Lay: Soft
- Specific Gravity: 1.14 / Sinks

Diameter (in)	Qty. / Reel (ft)	Break Load (lb)	Price / Reel	Part Number
3/16	2125	1000	STOCKED	8-3/16"NJR
1/4	1300	1650	STOCKED	8-1/4"NJR
5/16	975	2550	STOCKED	8-5/16"NJR
3/8	630	3700	STOCKED	8-3/8"NJR
1/2	335	6400	STOCKED	8-1/2"NJR
5/8	200	10 400	STOCKED	8-5/8"NJR
3/4	125	14 200	STOCKED	8-3/4"NJR

## Rope - Sash Cord, Cotton



- Material: Synthetic
- Finish: White/Beige
- Specific Gravity: 1.38 / Sinks

Size	Hank length	Price / ea.	Part Number	10 (lb) reel footage	Price / ea.	Part Number	
# 6	3/16"	100 ft	STOCKED	125-6SCH	760 ft	STOCKED	125-6SCR
# 7	7/32"	100 ft	STOCKED	125-7SCH	660 ft	STOCKED	125-7SCR
# 8	1/4"	100 ft	STOCKED	125-8SCH	500 ft	STOCKED	125-8SCR
# 10	5/16"	100 ft	STOCKED	125-10SCH	350 ft	STOCKED	125-10SCR
# 12	3/8"	100 ft	STOCKED	125-12SCH	240 ft	STOCKED	125-12SCR
#16	1/2"	100 ft	STOCKED	125-16SCH			

This cord has an interlocking solid braid construction, a durable composite cotton cover, and is polished with a weather resistant coating. It also has a synthetic reinforcing core. Hanks are 100' connected and shrink wrapped.

Synthetic & Fiber Rope



## Rope - Nylon Double Braided 2-1, Ocean Steel Line



- Material: Synthetic Polymer
- Standard: ISO 9554, 10554
- Tested to: ISO 2307
- Finish: White with Yellow Tracer
- Lay: Soft
- Specific Gravity: 1.14 / Sinks

Dia. (in)	Qty. / Coil (ft)	Breaking Strength	Est. Weight / Coil (lb)	Price / Coil	Part Number
		Min. (lb)			
3/8	1200	5000	44	STOCKED	17-3/8"NDBLB
1/2	600	8000	37.4	STOCKED	17-1/2"NDBLB
5/8	600	14 800	70.4	STOCKED	17-5/8"NDBLB
3/4	600	19 000	85.5	STOCKED	17-3/4"NDBLB
1	600	33 500	149.6	STOCKED	17-1"NDBLB
1-1/4	600	52 000	235.4	STOCKED	17-1-1/4"NDBLB
1-1/2	600	74 000	358	STOCKED	17-1-1/2"NDBLB
2	600	131 000	636	STOCKED	17-2"NDBLB

## Rope - Polyester Double Braided 2-1, Ocean Steel Line



- Material: Synthetic Polyester
- Standard: ISO 9554, 10554
- Tested to: ISO 2307
- Finish: White with Blue Tracer
- Lay: Soft
- Specific Gravity: 1.38 / Sinks

Dia. (in)	Qty. / Coil (ft)	Breaking Strength	Est. Weight / Coil (lb)	Price / Coil	Part Number
		Min. (lb)			
3/8	1200	4935	54	STOCKED	17-3/8"PDBLB
1/2	600	10 400	48	STOCKED	17-1/2"PDBLB
5/8	600	16 100	74.8	STOCKED	17-5/8"PDBLB
3/4	600	21 800	107.4	STOCKED	17-3/4"PDBLB
1	600	40 680	191.4	STOCKED	17-1"PDBLB
1-1/4	600	63 070	298.1	STOCKED	17-1-1/4"PDBLB



**WARNING**

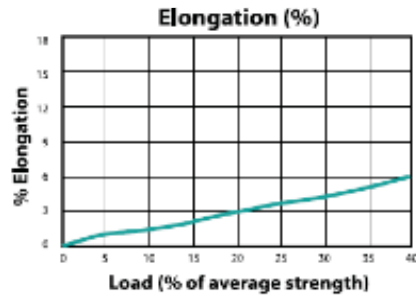
NEVER EXCEED PUBLISHED WORKING LOAD LIMIT





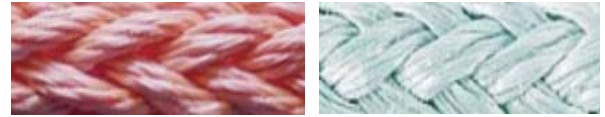
## ROPE TYPES SYNTHETIC

### OLETEC-12™



**Features:**

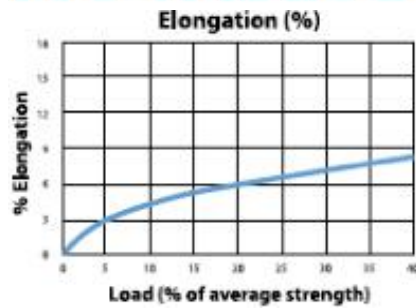
- Specific Gravity of 1.38
- Low Elongation
- High Strength
- Abrasion Resistance
- UV Stabilized Cover
- Urethane Coated Cover Available



**OLETEC-12™** is a hollow braided 12 strand rope using 100% polyolefin high tenacity co-polymer fiber. It is designed with single or two ply construction depending upon nominal size. Oletec 12 is designed for commercial and marine applications where an easily handled, high strength, floating rope is required. It has excellent abrasion resistance, will not mildew or rot, and is easily spliced.

Oletec-12 meets or exceeds dielectric requirements per ASTM F1701-05

### NOVABLUETM



**Features:**

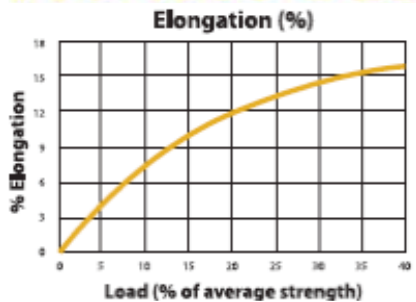
- Specific Gravity of 1.14
- High Energy Absorption
- Controlled Elongation
- High Strength
- Abrasion Resistance
- Mildew Resistance
- Urethane Coated Cover Available



**NOVABLUETM** is our premium double braided polyester rope designed for general marine, industrial, and commercial use where low elongation, high strength, and abrasion resistance are required. Constructed from the highest quality UV stabilized yarns, Novabluetm's balanced core and cover construction insures easy splicing. It can be easily identified by a single blue tracer in the cover. Diameters over 1" are solid white.

NovaBlue meets or exceeds (on request) US MIL Spec # MIL-R-24677 Cdn MIL Spec # 40-GP-16M

### NOVAGOLD™



**Features:**

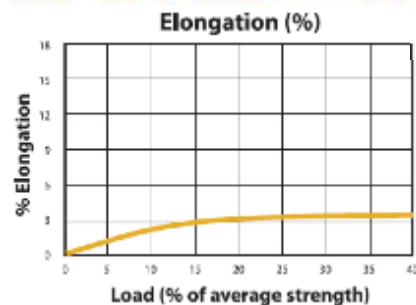
- Specific Gravity of 1.14
- High Energy Absorption
- Controlled Elongation
- High Strength
- Abrasion Resistance
- Mildew Resistance
- Urethane Coated Cover Available



**NOVAGOLD™** is our premium double braided nylon rope designed for general marine, industrial, and commercial use where controlled elongation, high strength, and abrasion resistance are required. It is constructed from the highest quality yarns to resist mildew, rot, and most chemicals. Novagold's balanced core and cover construction insure easy splicing. It can be easily identified by a single gold tracer in the cover. Diameters over 1" are solid white.

NovaGold meets or exceeds (on request) US MIL Spec # MIL-R-24050D Cdn MIL Spec # 40-GP-16M

### SPECTEC-12™



**Features:**

- Specific Gravity of 0.98
- Very High Strength
- Low Elongation
- Easy Handling
- Fully Spliceable



**SPECTEC-12™** is a hollow braided 12-strand rope using 100% Spectra fiber. It is designed with single ply construction up to 1½" nominal size and two ply in larger diameters. Spectec-12 yields one of the highest strength to weight ratios available in a synthetic rope. It comes standard with a urethane coating that provides additional abrasion resistance while remaining easy to handle and splice.

### DYNEEMA – 12

Dyneema-12 is a hollow braided 12-strand rope made from Dyneema fiber. It has a high weight to strength ratio with very little stretch. Custom slings are available ready made from manufacturer.

Synthetic & Fiber Rope



**ROPE TYPES SYNTHETIC**

ROPE TYPE											
Size		OLTEC-12™		NOVABLUE™		NOVAGOLD™		SPECTEC-12™		DYNEEMA- 12	
Dia. (in)	Circ. (in)	Est. Weight (lb) / 100 ft	Average Tensile Strength (lb)	Est. Weight (lb) / 100 ft	Average Tensile Strength (lb)	Est. Weight (lb) / 100 ft	Average Tensile Strength (lb)	Est. Weight (lb) / 100 ft	Average Tensile Strength (lb)	Est. Weight (lb) / 100 ft	Average Tensile Strength (lb)
1/8"								0.5	1,600	0.5	2,500
3/16"				1.0	1,175			1.0	3,200	1.0	5,400
1/4"	3/4"	1.1	1,500	2.0	1,950	1.7	2,400	1.7	6,500	1.7	8,600
5/16"	1"	1.7	2,400	3.1	3,500	2.6	3,400	2.9	9,500	2.7	13,700
3/8"	1-1/8"	2.7	3,500	4.5	4,900	3.7	5,000	3.8	14,200	3.6	19,600
7/16"	1-1/4"	3.5	4,400	6.1	6,200	5.0	6,500	4.3	16,500	4.2	23,900
1/2"	1-1/2"	4.9	6,000	8.0	10,400	6.4	8,000	6.4	24,000	6.4	34,000
9/16"	1-3/4"	6.8	8,000	10.1	10,800	8.4	11,800	7.5	28,000	7.9	40,500
5/8"	2"	8.7	9,900	12.5	15,500	12.0	14,800	10.6	41,000	10.2	52,800
3/4"	2-1/4"	10.9	12,000	17.9	18,000	16.0	19,000	13.2	49,000	13.5	64,400
7/8"	2-3/4"	14.4	15,800	24.4	24,000	21.8	28,000	19.5	68,000	19.5	90,800
1"	3"	20.5	21,000	31.9	32,000	26.0	33,500	23.3	79,000	21.8	109,000
1-1/8"	3-1/2"	25.0	26,000	40.0	39,500	35.8	45,000	32.0	100,000	31.9	148,000
1-1/4"	3-3/4"	27.4	28,500	49.8	49,000	41.0	52,000	36.1	110,000	36.2	165,000
1-5/16"	4"	32.0	32,800	55.0	53,500	46.8	59,000			41.8	184,000
1-3/8"										45.0	205,000
1-1/2"	4-1/2"	40.0	40,000	71.8	65,000	59.8	74,000			51.7	228,000
1-5/8"	5"	51.0	50,000	84.0	77,500	74.0	91,500				
1-3/4"	5-1/2"	59.0	58,000	97.7	89,500	89.0	111,000				
2"	6"	72.0	69,000	128.0	110,000	106.0	131,000				

Note this is average tensile strength and not minimum tensile strength

**Synthetic & Fiber Rope**





## Fid - Norwegian



Stainless steel fid with hardwood handles for making eye, end, and running splices in twisted line. Hollow backside for ease of threading.

Size	Price / ea.	Part Number
Small	STOCKED	6-SM304FID
Large	STOCKED	6-LG304FID

## Fid - Hardwood



Used for stretching eyelets or separating strands of rope.

Size (in)	Price / ea.	Part Number
8	STOCKED	100-8MFID
10	STOCKED	100-10MFID
12	STOCKED	100-12MFID
14	STOCKED	100-14MFID
16	STOCKED	100-16MFID
18	STOCKED	100-18MFID
20	STOCKED	100-20MFID

## Sail Needle



Used for Sail Repair

Size	Length (in)	Price / ea.	Part Number
11	3-1/2	STOCKED	98-11SN
12	3-3/8	STOCKED	98-12SN
13	3	STOCKED	98-13SN
14	2-3/4	STOCKED	98-14SN
15	2-1/2	STOCKED	98-15SN
16	2-3/8	STOCKED	98-16SN

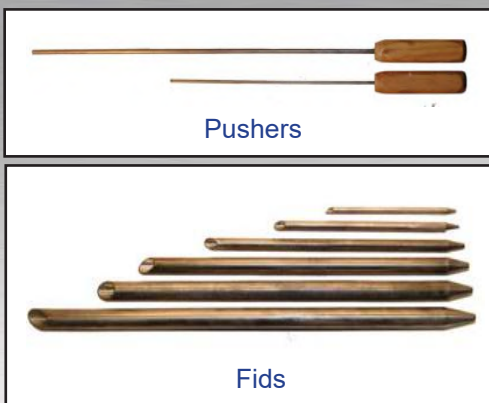
## Sail Palms



leather rawhide palm with thimble in left & right designed to provide user with protection while sewing.

Type	Price / ea.	Part Number
Right hand	STOCKED	98-SPRH
Left hand	STOCKED	98-SPLH

## Splicing - Pusher & Fids - Aluminium



Designed to splice double braided rope, measurements are designed in fid lengths so it is important to get the right size fids for the rope being spliced. Pushers are used to push strands of rope into the splice and are offered in two sizes for small or large ropes.

Size Rope (in)	Type	Length (in)	Price / ea.	Part Number
1/4 to 1/2	Pusher	11-1/2	STOCKED	22-SMPUSH
9/16 to 1	Pusher	17	STOCKED	22-LGPUSH
1/4	Fid	5-1/2	STOCKED	22-1/4"ATF
3/8	Fid	7-3/4	STOCKED	22-3/8"ATF
1/2	Fid	11	STOCKED	22-1/2"ATF
5/8	Fid	14	STOCKED	22-5/8"ATF
3/4	Fid	15-3/4	STOCKED	22-3/4"ATF
7/8	Fid	19	STOCKED	22-7/8"ATF
1	Fid	20-3/8	STOCKED	22-1"ATF



## Soft Shackles

With the rich experience in manufacturing high-end product (e.g. UHMWPE) for more than 20 years, FBR Soft Shackles offer outstanding strength at a light weight to replace conventional steel shackles or other connection types.

FBR Soft Shackles are made of 100% UHMWPE. Imported coating makes them very resistance to abrasion and UV-radiation, it can also be customized and comes with a protection sleeve for additional protection against wear and tear.

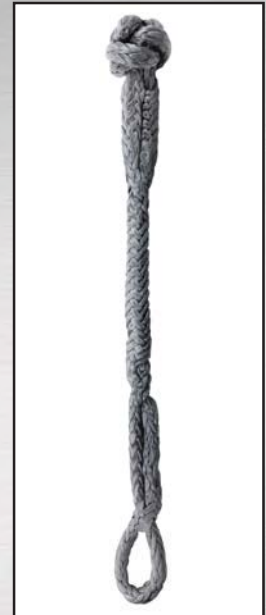
### Special Features:

- Extremely lightweight
- Easy to handle
- High breaking strength
- No stretch
- Good corrosion resistance.

### Application:

- ATV & SUV Off-road recovery
- Boating
- Camping
- Climbing
- Personal watercraft
- 5-1 for lifting
- 3-1 for towing

### Shackle - Soft, Synthetic



Diameter (in)	Length (in)	Colour	MBS (lbs)	Price / ea.	Part Number
5/16	10"	Yellow	24 200	STOCKED	17-5/16X10SS
3/8	10"	Yellow	30 800	STOCKED	17-3/8X10SS
1/2	10"	Yellow	41 800	STOCKED	17-1/2X10SS
9/16	10"	Yellow	55 100	STOCKED	17-9/16X10SS
5/8	18"	Yellow	74 900	STOCKED	17-5/8X18SS
3/4	18"	Yellow	92 500	STOCKED	17-3/4X18SS
7/8	24"	Yellow	136 600	STOCKED	17-7/8X24SS

- \*Other sizes are available upon request.
- Lengths are measured from pull to pull when joined
- Use of soft shackles below a D/d ratio of 3 is not recommended.



## Shackle - Dee (Chain) Trawling, with Square Head Screw Pin



Dimensions approximate.

Commercial grade trawling chain shackles are inexpensive shackles used for trawling applications, NOT for bearing critical loads. Not for overhead lifting, Non load rated Shackle.

\*Pin Size: Large diameter size available while quantities last.

- Material: Mild Steel
- Finish: Self Coloured Black

### Small Pin Diameter:

Shackle Size (in)	Qty. / Bag	Inside Length (in)	Inside Width (in)	Pin Diameter (in)	Tolerance + / - (in)		Wt./ea. (lb)	Price / ea.	Part Number
					Length	Width			
3/8	300	1 1/4	11/16	3/8	1/8	1/16	0.26	STOCKED	6-3/8"SCTD
1/2	150	1 5/8	13/16	1/2	1/8	1/16	0.49	STOCKED	6-1/2"SCTD
5/8	70	2	1 1/16	5/8	1/8	1/16	1.10	STOCKED	6-5/8"SCTD

### Large Pin Diameter:

Shackle Size (in)	Qty. / Bag	Inside Length (in)	Inside Width (in)	Pin Diameter (in)	Tolerance + / - (in)		Wt./ea. (lb)	Price / ea.	Part Number
					Length	Width			
3/8	300	1 1/4	11/16	7/16	1/8	1/16	0.26	STOCKED	6-3/8"SCTDL
1/2	150	1 5/8	13/16	5/8	1/8	1/16	0.49	STOCKED	6-1/2"SCTDL
5/8	70	2	1 1/16	3/4	1/8	1/16	1.10	STOCKED	6-5/8"SCTDL

## Shackle - Dee (Chain) Trawling, with Square Head Screw Pin



WLL (t)	Size (in)	Price / ea.	Part Number
2	1/2	STOCKED	6-1/2S2131SH
3-1/4	5/8	STOCKED	6-5/8S2131SH
4-3/4	3/4	STOCKED	6-3/4S2131SH
6-1/2	7/8	STOCKED	6-7/8S2131SH
8-1/2	1	STOCKED	6-1S2131SH
9-1/2	1 1/8	STOCKED	6-11/8S2131SH
12	1 1/4	STOCKED	6-11/4S2131SH

High tensile steel D-trawl shackles with square head pin.

Not for overhead lifting.

- Material: High Tensile Steel
- Finish: Painted Yellow
- Design Factor: 4:1
- Identification: Size/WLL
- Rated in Metric Ton(s)

## Shackle - Dee (Chain), with Screw Pin

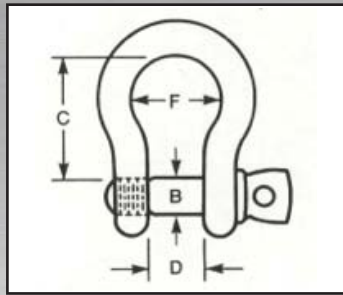


- Material: High Tensile Steel
- Standard: Meets Performance of RR-C-271F
- Finish: Body:Galvanized, Pin: Yellow Painted
- Design Factor: 6:1
- Identification: Size/WLL
- Rated in Metric Ton(s)

Size (in)	WLL (t)	Wt./ea. (lb)	Dimensions (in)						Price / ea.	Part Number
			Gap	Pin	Stock	In. Length	Palm	Pin Length		
1/4	1/2	0.12	0.47	0.31	0.25	0.88	0.61	1.38	STOCKED	6-1/4"SP
5/16	3/4	0.17	0.53	0.38	0.31	1.03	0.75	1.66	STOCKED	6-5/16"SP
3/8	1	0.25	0.66	0.44	0.38	1.25	0.91	2.03	STOCKED	6-3/8"SP
1/2	2	0.70	0.81	0.63	0.50	1.63	1.19	2.69	STOCKED	6-1/2"SP
5/8	3-1/4	1.24	1.06	0.75	0.63	2.00	1.56	3.34	STOCKED	6-5/8"SP
3/4	4-3/4	2.18	1.25	0.88	0.81	2.38	1.88	3.97	STOCKED	6-3/4"SP
7/8	6-1/2	3.28	1.44	1.00	0.97	2.81	2.13	4.50	STOCKED	6-7/8"SP
1	8-1/2	4.80	1.69	1.13	1.00	3.19	2.38	5.07	STOCKED	6-1"SP

**WARNING** SEE WARNING AND APPLICATION INFORMATION - PAGE 145

## Shackle - Commercial Bow, Anchor, with Screw Pin



- Material: Mild Steel
- Finish: Galvanized

Commercial grade shackles are inexpensive shackles used for non critical applications, Not for overhead lifting, NOT for bearing critical loads.

Nominal Size (in)	Weight / ea. (lb)	Body Dia. (in)	Dimensions (in)				Price / ea.	Part Number
			B	C	D	F		
3/16	0.04	0.20	0.21	0.92	0.38	0.61	STOCKED	6-3/16"GCS
1/4	0.08	0.23	0.28	1.15	0.51	0.70	STOCKED	6-1/4"GCS
5/16	0.14	0.30	0.36	1.27	0.55	0.82	STOCKED	6-5/16"GCS
3/8	0.26	0.37	0.44	1.56	0.60	0.97	STOCKED	6-3/8"GCS
7/16	0.36	0.42	0.46	1.67	0.72	1.00	STOCKED	6-7/16"GCS
1/2	0.64	0.50	0.60	1.95	0.77	1.32	STOCKED	6-1/2"GCS
5/8	1.16	0.60	0.75	2.37	1.12	1.70	STOCKED	6-5/8"GCS
3/4	1.96	0.75	0.82	2.90	1.29	1.93	STOCKED	6-3/4"GCS
7/8	3.16	0.87	0.98	3.31	1.42	2.20	STOCKED	6-7/8"GCS
1	4.20	1.00	1.06	3.75	1.58	2.73	STOCKED	6-1"GCS

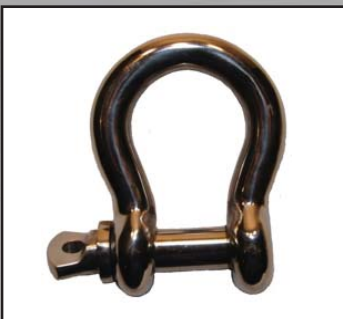
## Shackle - Bow, Anchor, with Screw Pin



- Material: 316 Stainless Steel, Forged
- Finish: Stainless Steel
- Design Factor: 4:1
- Identification: Size/WLL
- Rated in Metric Ton(s)

Size (in)	WLL (t)	Qty. / Box	Price / ea.	Part Number
1/4	1/2	300	STOCKED	6-1/4"SSFB
5/16	3/4	250	STOCKED	6-5/16"SSFB
3/8	1	150	STOCKED	6-3/8"SSFB
1/2	2	60	STOCKED	6-1/2"SSFB
5/8	3-1/4	40	STOCKED	6-5/8"SSFB
3/4	4-3/4	20	STOCKED	6-3/4"SSFB

## Shackle - Bow, Anchor, with Screw Pin



- Material: 304 Stainless Steel
- Finish: Stainless Steel

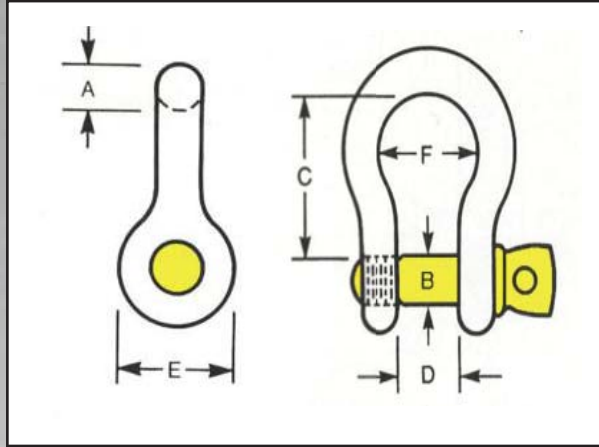
Size (in)	Qty. / Box	Price / ea.	Part Number
1/4	300	STOCKED	6-1/4"SSBOW
5/16	300	STOCKED	6-5/16"SSBOW
3/8	150	STOCKED	6-3/8"SSBOW
1/2	100	STOCKED	6-1/2"SSBOW
5/8	50	STOCKED	6-5/8"SSBOW
3/4	30	STOCKED	6-3/4"SSBOW





## Shackle - Bow, Anchor, with Screw Yellow Pin®

Trademark - Yellow Pin® Shackle - Registration Number: TMA 862,758



### Identification / Marking:

Shackle Body:

- Name or trademark of manufacturer "OCEAN"
- Size
- WLL (Working Load Limit).

Shackle Bolt:

- Name of trademark of manufacturer "OC"
- Grade, material type "HS"
- Powder Coated "Yellow Pin®" for instant recognition

Additional Identification:

- Shackle Production Code – Traceable to certificate & material

### Manufacturing/Design Information:

- Manufactured to Federal Specification RR-C-271D, Type IVA, Grade A, Class 2.
- Meet and/or exceeds ASME B30.26
- Safety/Design Factor: 6:1
- Material: High Tensile Steel, Forged - Quenched and Tempered, Grade 6.

### Coating / Protection:

- Hot dip galvanized & yellow pin powder coated.

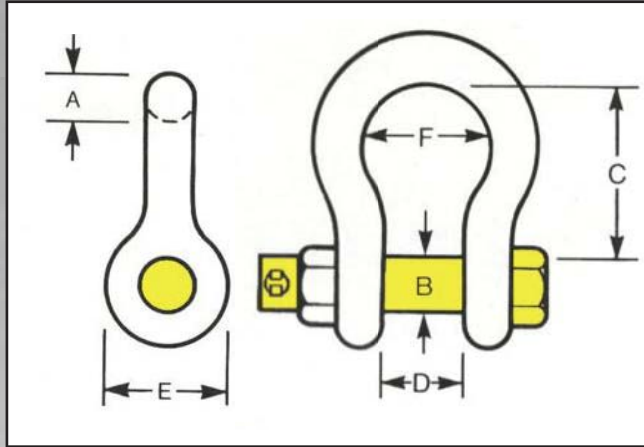
Size (in)	WLL (t)	Dimensions (in)						Weight/ea. (lb)	Qty. / Box	Price / ea.	Part Number
		A	B	C	D	E	F				
3/16	1/3	0.19	0.25	0.88	0.38	0.56	0.60	0.06	1000	STOCKED	6-3/16"SPB
1/4	1/2	0.25	0.31	1.13	0.47	0.61	0.78	0.10	500	STOCKED	6-1/4"SPB
5/16	3/4	0.31	0.38	1.22	0.53	0.75	0.84	0.19	300	STOCKED	6-5/16"SPB
3/8	1	0.38	0.44	1.44	0.66	0.91	1.03	0.31	200	STOCKED	6-3/8"SPB
7/16	1 1/2	0.44	0.50	1.69	0.75	1.06	1.16	0.38	150	STOCKED	6-7/16"SPB
1/2	2	0.50	0.63	1.88	0.81	1.19	1.31	0.72	80	STOCKED	6-1/2"SPB
5/8	3 1/4	0.63	0.75	2.38	1.06	1.50	1.69	1.37	40	STOCKED	6-5/8"SPB
3/4	4 3/4	0.75	0.88	2.81	1.25	1.81	2.00	2.35	25	STOCKED	6-3/4"SPB
7/8	6 1/2	0.88	1.00	3.31	1.44	2.09	2.28	3.62	15	STOCKED	6-7/8"SPB
1	8 1/2	1.00	1.13	3.75	1.69	2.38	2.69	5.03	10	STOCKED	6-1"SPB
1-1/8	9 1/2	1.16	1.25	4.25	1.81	2.69	2.91	7.41	6	STOCKED	6-1-1/8"SPB
1-1/4	12	1.29	1.38	4.69	2.03	3.00	3.25	9.50	5	STOCKED	6-1-1/4"SPB
1-3/8	13 1/2	1.42	1.50	5.25	2.25	3.31	3.63	13.53	4	STOCKED	6-1-3/8"SPB
1-1/2	17	1.54	1.63	5.75	2.38	3.63	3.88	17.20	3	STOCKED	6-1-1/2"SPB
1-3/4	25	1.84	2.00	7.00	2.88	4.19	5.00	27.78	2	STOCKED	6-1-3/4"SPB
2	35	2.08	2.25	7.75	3.25	4.81	5.75	45.00	2	STOCKED	6-2"SPB
2-1/2	55	2.71	2.75	10.50	4.13	5.69	7.25	85.75	1	STOCKED	6-2-1/2"SPB

- Rated in Metric Ton(s)

Note: Each production code represents the forging batch. All pins and bodies are interchangeable for that batch. Pin and Bodies are not interchangeable between alternate batches.

## Shackle - Bow, Anchor, with Safety Bolt Yellow Pin®

Trademark - Yellow Pin® Shackle - Registration Number: TMA 862,758



### Identification / Marking:

Shackle Body:

- Name or trademark of manufacturer "OCEAN"
- Size
- WLL (Working Load Limit).

Shackle Bolt:

- Name of trademark of manufacturer "OC"
- Grade, material type "HS"
- Powder Coated "Yellow Pin®" for instant recognition

Additional Identification:

- Shackle Production Code – Traceable to certificate & material

### Manufacturing/Design Information:

- Manufactured to Federal Specification RR-C-271D, Type IVA, Grade A, Class 3.
- Meet and/or exceeds ASME B30.26
- Safety/Design Factor: 6:1
- Material: High Tensile Steel, Forged - Quenched and Tempered, Grade 6.

### Coating / Protection:

- Hot dip galvanized & yellow pin powder coated.

Size (in)	WLL (t)	Dimensions (in)						Pin length (in)	Wt./ ea. (lb)	Qty. / Box	Price / ea.	Part Number
		A	B	C	D	E	F					
1/4	1/2	0.25	0.31	1.13	0.47	0.61	0.78	1.56	0.11	500	STOCKED	6-1/4"SA
5/16	3/4	0.31	0.38	1.22	0.53	0.75	0.84	1.82	0.22	300	STOCKED	6-5/16"SA
3/8	1	0.38	0.44	1.44	0.66	0.91	1.03	2.17	0.33	200	STOCKED	6-3/8"SA
7/16	1-1/2	0.44	0.50	1.69	0.75	1.06	1.16	2.51	0.49	150	STOCKED	6-7/16"SA
1/2	2	0.50	0.64	1.88	0.81	1.19	1.31	2.80	0.79	80	STOCKED	6-1/2"SA
5/8	3 1/4	0.63	0.77	2.38	1.06	1.50	1.69	3.56	1.68	40	STOCKED	6-5/8"SA
3/4	4 3/4	0.75	0.89	2.81	1.25	1.81	2.00	4.15	2.72	25	STOCKED	6-3/4"SA
7/8	6 1/2	0.88	1.02	3.31	1.44	2.09	2.28	4.82	3.95	15	STOCKED	6-7/8"SA
1	8 1/2	1.00	1.15	3.75	1.69	2.38	2.69	5.39	5.66	10	STOCKED	6-1"SA
1-1/8	9 1/2	1.13	1.25	4.25	1.81	2.69	2.91	5.90	8.27	6	STOCKED	6-1-1/8"SA
1-1/4	12	1.29	1.40	4.69	2.03	3.00	3.25	6.69	11.71	5	STOCKED	6-1-1/4"SA
1-3/8	13 1/2	1.42	1.53	5.25	2.25	3.31	3.63	7.21	15.83	4	STOCKED	6-1-3/8"SA
1-1/2	17	1.53	1.66	5.75	2.38	3.63	3.88	7.73	20.80	3	STOCKED	6-1-1/2"SA
1-3/4	25	1.84	2.04	7.00	2.88	4.19	5.00	9.68	33.91	2	STOCKED	6-1-3/4"SA
2	35	2.08	2.30	7.75	3.25	4.81	5.75	10.81	52.25	2	STOCKED	6-2"SA
2-1/2	55	2.71	2.80	10.50	4.13	5.69	7.25	13.58	98.25	1	STOCKED	6-2-1/2"SA

- Rated in Metric Ton(s)

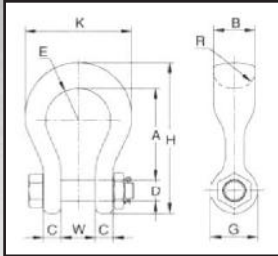
Note: Each production code represents the forging batch. All pins and bodies are interchangeable for that batch. Pin and Bodies are not interchangeable between alternate batches.

**WARNING** SEE WARNING AND APPLICATION INFORMATION - PAGE 190

**WARNING**  
NEVER EXCEED PUBLISHED WORKING LOAD LIMIT



**Shackle - Wide Body Sling, with Safety Bolt, Yoke®**

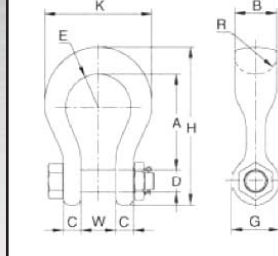


- Material: Forged Alloy Steel with Alloy Pins/Bolts
- Standard: RR-C-271F, EN 13889
- Finish: Body: Powder Coated Blue, Bolt/Pin: Galvanized
- Design Factor: 5.4:1 (Ultimate Load)
- Identification: Trademark, Size/WLL, Batch Code
- 100% Magnaflux crack detection during manufacturing.
- 20,000 cycle fatigue rated to 1.5 times working load limit.

Size (in)	WLL (t)	Dimensions (in)										Wt./ea. (lb)	Price / ea.	Part Number
		A	B	C	D	E	G	H	K	R	W			
3/4	7	3.58	1.61	0.70	0.87	1.26	1.81	5.90	4.10	1.26	1.30	3.7	STOCKED	28-809-19
1	12.5	4.64	2.12	0.91	1.14	1.61	2.40	7.64	5.51	1.38	1.73	8.4	STOCKED	28-809-26
1-1/4	18	5.83	2.52	1.18	1.42	2.00	2.68	9.37	6.77	1.50	2.13	15	STOCKED	28-809-32
1-1/2	30	6.93	3.15	1.38	1.77	2.50	3.50	11.38	8.50	1.77	2.36	27	STOCKED	28-809-38

Shackles

**Shackle - Wide Body Sling, with Safety Bolt Green Pin®**



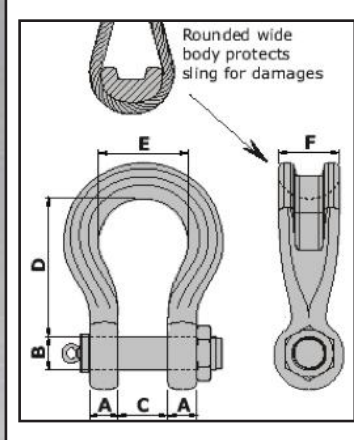
- Material: Bow and pin alloy steel, Grade 8, quenched and tempered
- Standard: RR-C-271F, EN 13889
- Finish: Bow: Painted Silver, Bolt: Painted Green
- Design Factor: 5:1
- Identification: Trademark, Size/WLL, Batch Code
- Temperature Range: -20°C up to +200°C
- Van Beest is certified by DNV to DNV 2.7-1
- Van Beest mill in Holland is approved to DNV, ABS, Lloyd's & Germanischer Lloyd.

Item	WLL (t)	Dimensions (mm)										Wt./ea. (kg)	Price / ea.	Part Number
		A	B	C	D	E	G	H	K	W				
P-6033	55	240	100	55	57	160	115	389	270	90	30	STOCKED	25-55SS	

**WARNING** SEE WARNING AND APPLICATION INFORMATION - PAGE 190



**Shackle - Sling Protector, with Safety Bolt, GN®**



- Material: Bow and pin alloy steel, quenched and tempered
- Standard: RR-C-271F, EN 13889
  - Finish: Bow: Painted Grey
  - Design Factor: 5:1
  - Identification: Trademark, Size/WLL, Batch Code
  - Certification: MPI, US, Witness DNV, Lloyd's, ABS, BV, etc. (on request)
  - Temperature Range: -20°C up to +200°C
  - Charpy impact testing performed at -40°C



WLL (t)	Dimensions (mm)						Wt./ea. (kg)	Price / ea.	Part Number
	A	B	C	D	E	F			
75	70	70	105	290	185	120	45	STOCKED	116-75WBS
125	80	80	130	365	220	150	120	STOCKED	116-125WBS
150	90	95	140	390	250	170	160	STOCKED	116-150WBS
200	105	105	150	480	275	205	230	STOCKED	116-200WBS
250	110	120	170	550	300	240	320	<b>Pricing on Request</b>	116-250WBS
300	140	134	185	600	350	265	340		116-300WBS
400	160	160	220	600	370	320	620		116-400WBS
500	170	180	250	650	450	340	800		116-500WBS
600	180	200	275	720	490	370	960		116-600WBS
700	200	215	300	750	540	400	1250		116-700WBS
800	220	230	325	780	555	420	1400		116-800WBS
900	238	250	350	850	585	440	2100		116-900WBS
1000	240	270	380	850	615	460	2200		116-1000WBS
1250	260	300	430	930	645	530	2800		116-1250WBS
1500	280	320	460	950	680	560	3300		116-1500WBS
2000	320	385	500	1050	680	600	4800		116-2000WBS

• Rated in Metric Ton(s)



**Shackles**

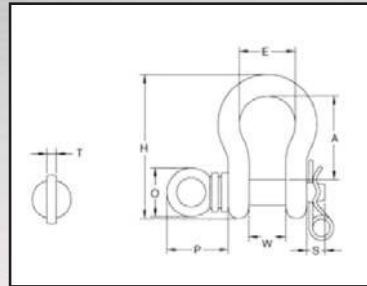
**WARNING** SEE WARNING AND APPLICATION INFORMATION - PAGE 190

**WARNING**  
NEVER EXCEED PUBLISHED WORKING LOAD LIMIT



## Shackle - ROV, Bow, with Safety Bolt, Yoke®

- Material: Bow and pin alloy steel, quenched and tempered
- Standard: RR-C-271F, EN 13889
- Finish: Bow: Painted Yellow & White, Bolt: Galvanized
- Design Factor: 5:1
- Identification: Trademark, Size/WLL, Batch Code
- Temperature Range: -20°C up to +200°C
- Rated in Metric Ton(s)

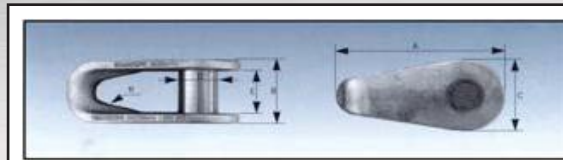


- ROV shackles are designed specifically for ROV applications.
- ROV shackles are proof tested to 2 times the working load limit

Size (in)	WLL (t)	Dimensions (in)								Wt./ea. (lb)	Price / ea.	Part Number
		P	O	W	A	E	T	H	S			
7/8	6.5	2.48	1.96	1.50	3.39	2.28	0.39	5.91	0.74	3.74	STOCKED	28-911-22
1	8.5	2.55	1.96	1.73	3.78	2.68	0.39	6.57	0.78	5.28	STOCKED	28-911-26
1-1/4	12	3.46	2.75	2.12	4.76	3.30	0.47	8.07	0.98	10.56	STOCKED	28-911-32
1-3/8	13.5	3.77	2.95	2.32	5.28	3.62	0.59	9.13	1.06	14.52	STOCKED	28-911-36
1-1/2	17	3.85	2.95	2.36	5.75	3.90	0.59	10.00	1.06	18.10	STOCKED	28-911-38
1-3/4	25	4.48	3.54	2.87	7.00	5.00	0.78	12.32	1.18	31.24	STOCKED	28-911-45
2	35	5.19	4.17	3.27	7.76	5.75	0.78	13.66	1.18	51.70	STOCKED	28-911-50

Shackles

## Shackle - Tonsberg

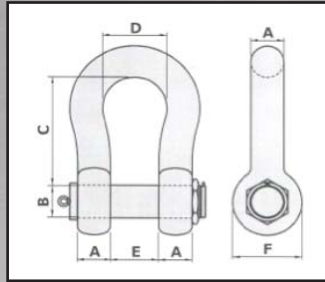


Tonsberg Mooring Link - galvanized steel mooring link of compact design typically utilized as connection between wire rope and fiber forerunner.

Size (t)	Dimensions (in)						Breaking Load (t)	Wt./ea. (lb)	Price / ea.	Part Number
	A	B	C	E	D	R				
120	324	142	150	85	75	28	120	17.0	STOCKED	157-120TLINK



## Shackle - Bow, with Safety Bolt, GN®



### Type H9 & H10

- Material: ≤ 120 t: Forged High Tensile Steel. > 120 t: Forged High Alloy Steel Bow and pin alloy steel, quenched and tempered
- Standard: RR-C-271F, EN 13889
- Finish: Painted Gray
- Design Factor: ≤ 85 t: 6:1. > 85 t: 5:1.
- Identification: Trademark, Size/WLL, Batch Code
- Temperature Range: -40°C up to +200°C
- Charpy impact testing performed at -40°C
- Rated in Metric Ton(s)



WLL (t)	Design Factor	Dimensions (mm)						Wt./ea. (kg)	Price / ea.	Part Number
		A	B	C	D	E	F			
25	6:1	45	50	178	126	74	104	13	Pricing On Request	116-25SA
35	6:1	50	57	197	138	83	119	18		116-35SA
42.5	6:1	57	65	220	160	95	134	26		116-42.5SA
55	6:1	65	70	260	180	105	145	35		116-55SA
85	6:1	75	83	330	190	127	163	53		116-85SA
120	5:1	89	95	381	238	150	200	110	STOCKED	116-120SA
150	5:1	102	108	400	275	170	230	160	STOCKED	116-150SA
200	5:1	120	125	500	290	180	260	235	STOCKED	116-200SA
250	5:1	125	140	540	305	200	260	285	Pricing On Request	116-250SA
300	5:1	135	150	600	305	200	305	340		116-300SA
400	5:1	165	175	650	325	225	350	560		116-400SA
500	5:1	175	185	700	350	250	370	685		116-500SA
600	5:1	195	205	700	375	275	405	880		116-600SA
700	5:1	205	215	700	400	300	435	980		116-700SA
800	5:1	210	220	700	400	300	435	1100		116-800SA
900	5:1	220	230	700	420	320	465	1280		116-900SA
1000	5:1	230	240	700	420	340	480	1460	116-1000SA	

Tolerance ± 5%

### Cold Temperature application – General Information

There has been a lot of discussion in recent months about cold temperature shackles. There is a misconception that if a shackle complies with DNV 2.7-1 it is certified for cold temperature use and conforms to CAPP requirements. Use web site (<http://exchange.dnv.com/publishing/StdCert/Standard2-7-1.pdf>) to obtain a copy of DNV 2.7-1. DNV rules are written for the world not just the cold areas therefore why would a shackle used in the tropics have to have a cold temperature rating. DNV's material requirement is to have a minimum Charpy impact testing at the design working temperature see section 8.4. Make sure the shackle you are using has actually been tested at the working temperature you are using them. Most areas of Canada are going to require a temperature of minus 40°C and achieving a 42 jewel impact result. These parameters and results should be stated on documentation, identification marking should link all documentation to the individual product. Based on EN10204 (3.1 or 3.2) primary and incoming material can be tested for standard compliance (section 4). Both of these standards are a requirement for CAPP. Be informed to make sure your inspection and documentation matches your client's expectations. We have two manufacturers who comply with DNV for Cold temperature results at -40°C, Van Beest (Polar shackle) and GN Rope Fittings. Yoke also has shackles certified to DNV standards however not for cold temperature applications. We are able for an additional charge perform extra 3rd party laboratory testing on our stock lots should additional testing be required, these would be added as an appendix to the manufacturer's certificate of compliance and EN10204 certificate that can be traced to the lot production.

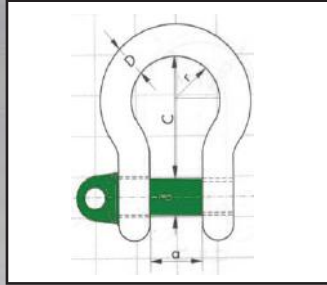




- Made in Holland
- All shackles can be supplied with 3.1-B certificates
- Van Beest is certified by DNV to DNV 2.7-1
- Van Beest mill in Holland is approved to DNV, ABS, Lloyd's & Germanischer Lloyd.



## Shackle - Bow, Anchor, with Screw Green Pin®



- Material: High Tensile Steel, Grade 6, quenched and tempered
- Standard: RR-C-271F, EN 13889
- Finish: Bow: Galvanized, Pin: Painted Green
- Design Factor: 6:1
- Identification: Trademark, Size/WLL, Batch Code
- Temperature Range: -40°C up to +200°C
- Rated in Metric Ton(s)

Item	WLL (t)	Size (in)	A (mm)	C (mm)	D (mm)	d (mm)	2r (mm)	Wt./ea. (kg)	Price / ea.	Part Number
G-4161	0.33	3/16	9.5	22	5	6	16	0.02	STOCKED	25-.33SP
G-4161	0.5	1/4	12	29	7	8	20	0.06	STOCKED	25-.5SP
G-4161	0.75	5/16	13.5	32	9	10	21	0.11	STOCKED	25-.75SP
G-4161	1	3/8	17	36.5	10	11	26	0.15	STOCKED	25-1SP
G-4161	1.5	7/16	18.5	43	11	12	29	0.21	STOCKED	25-1.5SP
G-4161	2	1/2	22	51	13.5	16	32	0.37	STOCKED	25-2SP
G-4161	3.25	5/8	27	64	16	19	43	0.65	STOCKED	25-3.25SP
G-4161	4.75	3/4	31	76	19	22	51	1.06	STOCKED	25-4.75SP
G-4161	6.5	7/8	36	83	22	25	58	1.56	STOCKED	25-6.5SP
G-4161	8.5	1	43	95	25	28	68	2.32	STOCKED	25-8.5SP
G-4161	9.5	1 1/8	47	108	28	32	75	3.28	STOCKED	25-9.5SP
G-4161	12	1 1/4	51	115	32	35	83	4.51	STOCKED	25-12SP
G-4161	13.5	1 3/8	57	133	35	38	92	5.93	STOCKED	25-13.5SP
G-4161	17	1 1/2	60	146	38	42	99	7.89	STOCKED	25-17SP
G-4161	25	1 3/4	74	178	45	50	126	13.40	STOCKED	25-25SP
G-4161	35	2	83	197	50	57	138	18.85	STOCKED	25-35SP
G-4161	55	2-1/2	105	266.5	65	70	180	37.86	STOCKED	25-55SP

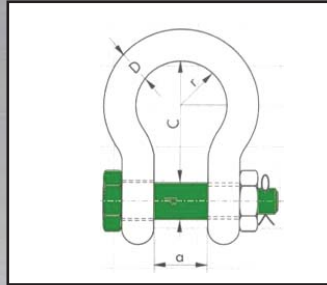
Shackles



- Made in Holland
- All shackles can be supplied with 3.1-B certificates
- Van Beest is certified by DNV to DNV 2.7-1
- Van Beest mill in Holland is certified to DNV, ABS, Lloyd's & Germanischer Lloyd.



**Shackle - Bow, Anchor, with Safety Bolt Green Pin®**



- Material: High Tensile Steel, Grade 6, quenched and tempered
- Standard: RR-C-271F, EN 13889
- Finish: Bow: Galvanized, Bolt: Painted Green
- Design Factor: 6:1
- Identification: Trademark, Size/WLL, Batch Code
- Temperature Range: -40°C up to +200°C
- Rated in Metric Ton(s)

Item	WLL (t)	Size (in)	a (mm)	C (mm)	D (mm)	d-pin (mm)	2r (mm)	Wt./ea. (kg)	Price / ea.	Part Number
G-4163	0.75	5/16	13.5	32	9	10	22	0.11	STOCKED	25-.75SA
G-4163	1	3/8	17	36.5	10	11	26	0.16	STOCKED	25-1SA
G-4163	2	1/2	22	51	13.5	16	32	0.44	STOCKED	25-2SA
G-4163	3.25	5/8	27	64	16	19	43	0.79	STOCKED	25-3.25SA
G-4163	4.75	3/4	31	76	19	22	51	1.26	STOCKED	25-4.75SA
G-4163	6.5	7/8	36	83	22	25	58	1.88	STOCKED	25-6.5SA
G-4163	8.5	1	43	95	25	28	68	2.78	STOCKED	25-8.5SA
G-4163	9.5	1 1/8	47	108	28	32	75	3.87	STOCKED	25-9.5SA
G-4163	12	1 1/4	51	115	32	35	83	5.26	STOCKED	25-12SA
G-4163	13.5	1 3/8	57	133	35	38	92	6.94	STOCKED	25-13.5SA
G-4163	17	1 1/2	60	146	38	42	99	8.79	STOCKED	25-17SA
G-4163	25	1 3/4	74	178	45	50	126	14.99	STOCKED	25-25SA
G-4163	35	2	83	197	50	57	138	20.65	STOCKED	25-35SA
G-4163	55	2 1/2	105	260	65	70	180	41.05	STOCKED	25-55SA
G-4163	85	3	127	330	75	83	190	62.24	STOCKED	25-85SA

**Shackles**



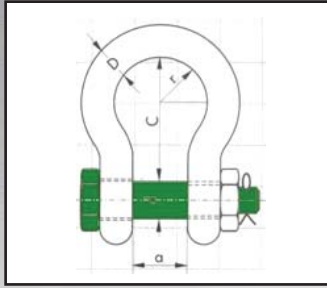
**WARNING** SEE WARNING AND APPLICATION INFORMATION - PAGE 190

**WARNING**  
NEVER EXCEED PUBLISHED WORKING LOAD LIMIT





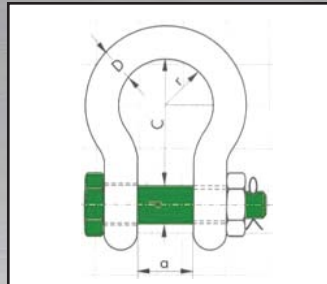
## Shackle - Super Bow, Anchor, with Safety Bolt Green Pin®



- Material: High Strength Alloy Steel, Grade 8, quenched and tempered
- Standard: RR-C-271F, EN 13889
- Finish: Bow: Galvanized, Bolt: Painted Green
- Design Factor: 5:1
- Identification: Trademark, Size/WLL, Batch Code
- Temperature Range: -20°C up to +200°C
- Rated in Metric Ton(s)

Item	WLL (t)	Trade Size (in)	a (mm)	C (mm)	D (mm)	d (mm)	2r (mm)	Wt./ea. (kg)	Price / ea.	Part Number
G-5263	15	1-1/8	47	108	28	32	75	3.87	STOCKED	25-15SUPERSA
G-5263	30	1-1/2	60	146	38	42	99	8.79	STOCKED	25-30SUPERSA
G-5263	40	1-3/4	74	178	45	50	126	15	STOCKED	25-40SUPERSA
G-5263	55	2	83	197	57	57	138	22	STOCKED	25-55SUPERSA
G-5263	85	2-1/2	105	260	70	70	180	42	STOCKED	25-85SUPERSA
G-5263	120	3	127	329	83	83	190	70	STOCKED	25-120SUPERSA
G-5263	150	3-1/2	147	400	95	95	238	112	STOCKED	25-150SUPERSA

## Shackle - Wide Mouth Bow, with Safety Bolt Green Pin®



- Material: High Strength Alloy Steel, Grade 8, quenched and tempered
- Standard: RR-C-271F, EN 13889
- Finish: Bow: Galvanized, Bolt: Painted Green
- Design Factor: 6:1
- Identification: Trademark, Size/WLL, Batch Code
- Temperature Range: -20°C up to +200°C
- Rated in Metric Ton(s)

### Van Beest Wide Mouth Towing Shackle

To be used with correct loading across pin

Item	WLL (t) (towing 6:1)	Size (in)	a (mm)	C (mm)	D (mm)	d - pin (mm)	2r (mm)	Wt./ea. (kg)	Price / ea.	Part Number
G-4463	22	1-1/2	106	216	38	42	159	12.5	STOCKED	25-22WMTS
G-4463	30	1-3/4	127	248	45	50	175	18	STOCKED	25-30WMTS
G-4463	40	2	146	273	50	57	207	25	STOCKED	25-40WMTS

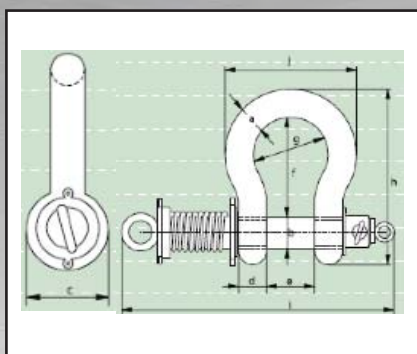
### Van Beest Wide Mouth Lifting Shackle

To be used with correct loading across pin

Item	WLL (t) (towing 6:1)	Size (in)	a (mm)	C (mm)	D (mm)	d - pin (mm)	2r (mm)	Wt./ea. (kg)	Price / ea.	Part Number
G-4263	16	1-1/2	106	216	38	42	159	12.5	STOCKED	25-16WMS
G-4263	25	1-3/4	127	248	45	50	175	18	STOCKED	25-25WMS
G-4263	30	2	146	273	50	57	207	25	STOCKED	25-30WMS



## Shackle - ROV Spring Release Bow, Polar, with Green Pin®

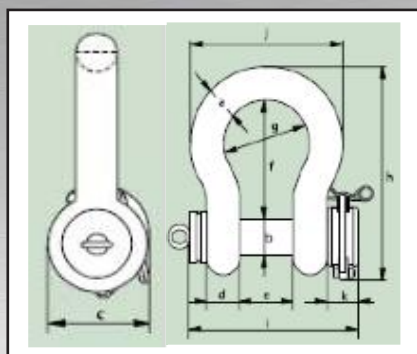


- Material: Alloy Steel, Grade 8, Polar, quenched and tempered
- Standard: RR-C-271F, EN 13889
- Finish: Bow: Painted White, Bolt: Painted Green
- Design Factor: 5:1
- Identification: Trademark, Size/WLL, Batch Code
- Temperature Range: -40°C up to +200°C
- Rated in Metric Ton(s)
- Note: For in-line use only! This shackle is assembled with rope slings and monkey's fist for size starting from WLL 42.5 up to and including 150T a special mounting tool (tensioner) is required to assemble the shackle.

Item	WLL (t)	Dimensions (mm)										Wt./ea. (kg)
		a	b	c	d	e	f	g	h	i	j	
P-5367	12	32	35	72	32	51	115	83	201	262	147	6
P-5367	13.5	35	38	80	35	57	133	92	227	275	162	7
P-5367	17	38	42	88	38	60	146	99	249	330	175	14
P-5367	25	45	50	103	45	74	178	126	300	352	216	16
P-5367	35	50	57	116	50	83	197	138	334	373	238	21
P-5367	42.5	57	65	130	57	95	222	160	377	442	274	32
P-5367	55	65	70	145	65	105	260	180	433	470	310	43
P-5367	85	75	83	162	73	127	329	190	527	579	340	71
P-5367	120	95	95	208	91	147	399	238	646	674	428	131
P-5367	150	105	108	238	102	169	410	275	688	699	485	171

Shackles

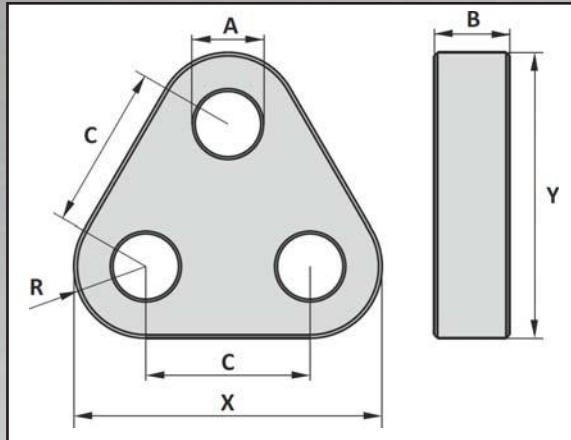
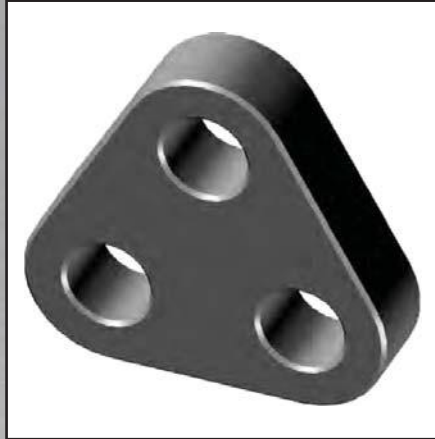
## Shackle - ROV Locking Clamp Release Bow, Polar, with Green Pin®



- Material: Alloy Steel, Grade 8, Polar, quenched and tempered
- Standard: RR-C-271F, EN 13889
- Finish: Bow: Painted White, Bolt: Painted Green
- Design Factor: 6:1
- Identification: Trademark, Size/WLL, Batch Code
- Temperature Range: -60°C up to +200°C
- Rated in Metric Ton(s)
- Note: It is up to the user to attach the locking clamp with wire ropes etc. and attaching loops or monkey's fists. Van Beest supplies the shackle body, the shackle pin and locking clamp with spring pin.

Item	WLL (t)	Dimensions (mm)											Wt./ea. (kg)
		a	b	c	d	e	f	g	h	i	j	k	
P-5365	17	38	42	88	38	60	146	99	250	217	175	48	8.19
P-5365	25	45	50	103	45	74	178	126	300	250	216	48	14.22
P-5365	55	65	70	145	65	105	260	180	433	330	310	48	39.59
P-5365	85	75	83	162	73	127	329	190	527	380	340	48	62

**Triangle Plate - GN®**



**Made in Holland**

- Material: High tensile steel
- Design Factor: 5:1
- Finish: Painted
- Temperature Range: -40°F up to +392°F, Polar Rated

Shackles

WLL (t)	MBL (t)	Dimensions (mm)						Wt./ea. (kg)	Price / ea.	Part Number
		A	B	C	R	X	Y			
17	85	47	35	120	65	250	234	10	Pricing on Request	-
25	125	55	40	150	80	310	290	18		-
35	175	60	50	160	90	340	319	28		-
55	275	75	70	210	105	420	392	58	STOCKED	116-TR155T
85	425	90	80	230	135	500	469	96	STOCKED	116-TR185T
120	600	105	100	280	170	620	582	188	Pricing on Request	-
150	750	115	110	320	185	690	647	256		-
175	875	115	110	320	195	710	667	274		-
200	1000	140	120	390	215	820	768	390		-
250	1250	150	140	390	240	870	818	518		-
300	1500	160	150	420	250	920	864	617		-
400	2000	185	200	490	300	1090	1024	1170		-
500	2500	200	200	550	360	1270	1196	1619		-
600	3000	220	200	600	400	1400	1320	1972	-	
700	3500	230	250	600	400	1400	1320	2452	-	

Tolerance +/- 5%



## SHACKLE - WARNINGS AND APPLICATIONS

Side and symmetrical loading data applies to screw pin and bolt nut cotter shackles only!  
Side and symmetrical loading not permitted on round pin shackles.

### Angles of Side Load

- 0° - In-Line - 100 % of rated WLL (Working Load Limit)
- 45° - From In-Line - 70% of rated WLL
- 90° - From In-Line - 50% of rated WLL

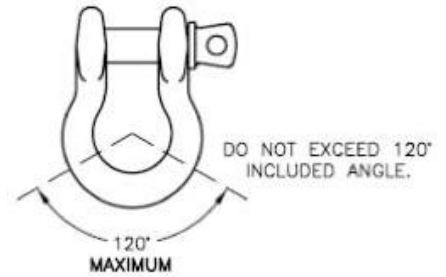
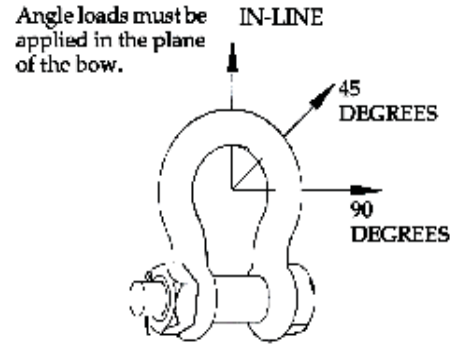
### Symmetrical Loading

Shackles symmetrically loaded with two legs at a maximum angle of 120° can be used to full Working Load Limit.

- For permanent or long term installation always use nut and cotter.
- Shackle must be large enough to avoid pinching or bunching of synthetic slings.
- Diameter of shackle must be greater than wire rope diameter if no thimble in eye.
- Mouse screw pin when used in long term or high vibration applications.

### Shackles should be inspected before use to ensure that:

- All markings are legible
- The body and pin are both identifiable as being of the same size, type and make
- The threads of the pin and the body are undamaged
- Never use a safety bolt type shackle without using the cotter pin
- The body and the pin are not distorted or worn
- The body and pin are free from nicks, gouges, cracks and corrosion
- Shackles may not be heat treated as this may affect their Working Load Limit
- Never modify, repair or reshape a shackle by welding, heating or bending as this will affect the Working Load Limit



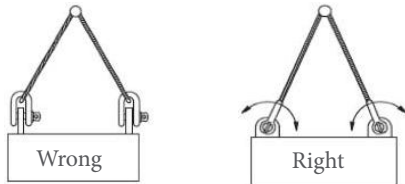
### Assembly

Ensure that the pin is correctly screwed into the shackle eye, i.e. tighten hand tight, and then secure using a wrench or other suitable tool so that the collar of the pin is fully seated on the shackle eye. Ensure that the pin is of the correct length so that it penetrates the full depth of the screwed eye and allows the collar of the pin to seat on the surface of the shackle eye.

Incorrect seating of the pin may be due to a bent pin, too tight fitting thread or misalignment of the pin holes. Do not use the shackle under these circumstances. Never replace a shackle pin except with one of the same size, type and make as it may not be suitable for the loads imposed.

Select the correct type of shackle and its Working Load Limit for the particular application. Should extreme circumstances or shock loading be applicable, this must be taken into account on selecting the correct shackle. Please note that commercial shackles are not to be used for lifting applications.

Make sure that the shackle is supporting the load correctly, i.e. along the axis of the shackle body centerline, avoid introduction of bending loads, unstable loads and do not overload.



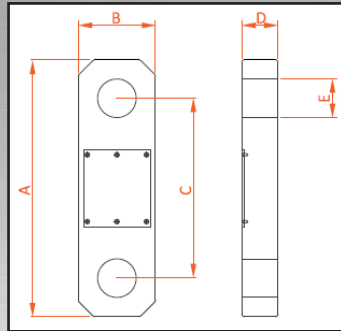
**WARNING** IMPROPER USE OR CARE OF SHACKLES CAN RESULT IN BODILY INJURY OR PROPERTY DAMAGE!  
 TO AVOID INJURY OR PROPERTY DAMAGE;  
 - DO NOT EXCEED THE WLL (WORKING LOAD LIMIT)  
 - DO NOT SHOCK LOAD  
 - DO NOT SIDE LOAD - CENTRE LINE OF THE LOAD MUST COINCIDE WITH CENTRE LINE OF SHACKLE  
 - DO NOT REPLACE PIN OR BOLT WITH OTHER THAN ORIGINAL EQUIPMENT  
 - INSPECT BEFORE USE FOR WEAR, DEFORMATION, AND PIN ENGAGEMENT  
 - INSPECT SHACKLES BEFORE EACH USE AS OUTLINES IN ASME B30.26





- Since 1992, Wirop Industrial Co., Ltd. has been providing the load testing equipment worldwide. Wirop is a specialist in test beds across many different rigging and lifting gears. All these products have been part of many different fields including oil and gas, marine, and construction.
- Ever since its establishment in 1979 with continuous integration, Wirop is now extending its product line and commercializing its load monitoring products to the market. We implement the new generation of load monitoring systems. Networking the load with our modern-day computerized products. We are proud to be able to offer this load monitor system to global market. All the load monitoring products are designed, developed and manufactured by our motivated and mixed discipline engineering team.

## Load Cell - Wireless Kit



### Load Cell Kit includes:

- Load Cell (wireless)
- Handheld Reader (wireless)
- Carrying Case (< 75 t only, >= 75 t are in wooden crates)
- Instruction Manual(s)
- Certification (Calibration & Warranty)

Capacity (t)	Accuracy (%)	Weight (kg)	Dimensions (mm)					Price	Part Number (kits)
			A	B	C	D	E		
5	0.3	2.9	275	104	196	48	27	STOCKED	176-5TLC
12	0.3	4.7	303	115	204	48	38	STOCKED	176-12TLC
25	0.3	8.3	365	132	234	63	53	STOCKED	176-25TLC
35	0.3	11.4	410	132	248	69	60	STOCKED	176-35TLC
50	0.3	14.7	465	166	273	79	72	STOCKED	176-50TLC
75	0.3	23.4	550	223	296	79	85	STOCKED	176-75TLC
100	0.3	42.0	615	213	335	122	99	STOCKED	176-100TLC
150	0.3	55.7	690	242	370	124	112	STOCKED	176-150TLC
200	0.3	87.0	710	300	350	155	132	Pricing on Request	176-200TLC
300	0.3	147.7	860	312	430	189	153	Pricing on Request	176-300TLC



- Rated in Metric Ton(s)

- The wireless load link transmits the load value to a computer or handset device via radio channel. Aerospace grade aluminum alloy tension link provides high corrosion resistance capability and high level of robust design for rugged environment.
- The wireless communication distance ranges from 500 m to 600 m or even longer using IEEE 802.15.4 networking definition in license free band.
- Wirop engineering team has the leading power saving technology in the load monitoring industry. Talented engineering team has developed in medical grade noise filter technology coupled with ultra-low voltage operating system without losing high accuracy. The continuous reading battery life reaches 925 hours at data rate of 1 Hz.



	Wireless Load Link	Cable Load Link
Material:	Aerospace grade aluminium	
Battery:	AA battery x 4	
Operating hours:	280-950	
Safety factor:	5 times	
Data rate:	1-10 Hz	
System Range:	500 ~ 600 m	
Frequency:	2.4 GHz	
Operating temp:	-10 °C ~ 60 °C	
Storage temp:	-10 °C ~ 70 °C	
Sensitivity:	1.5 mV / V or above	
Input resistance:	430 ± 30 Ω	
Zero balance:	± 2 %	
Max Excitation:	12 V	
Temp effect on zero:	0.03 % / 10 °C	
Temp effect on output:	0.05 % / 10 °C	
Safety overload:	150 %	



## Software Packages:

Wirop provides different software platforms for users to capture the load data. Currently, we provide Wi-Load, CertiPro, and Centre of Gravity. All the software packages work on Windows PC platform Win7, Win8, and Win10.

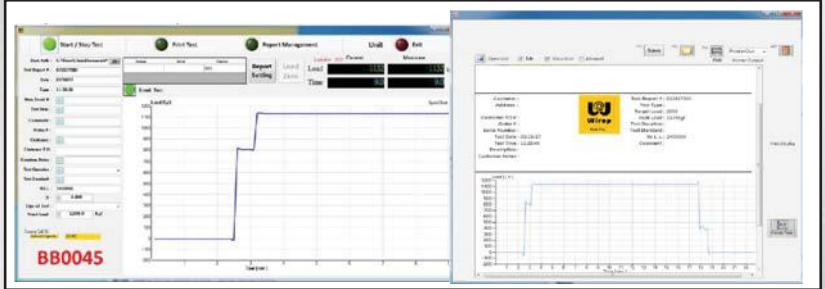
### Load Cell - Software Packages

Software Package	Price	Part Number (kits)
Wi-Load Data Logging	STOCKED	176-DLSW
Certificate Generator	STOCKED	176-CGSW
Centre of Gravity	STOCKED	176-COGSW

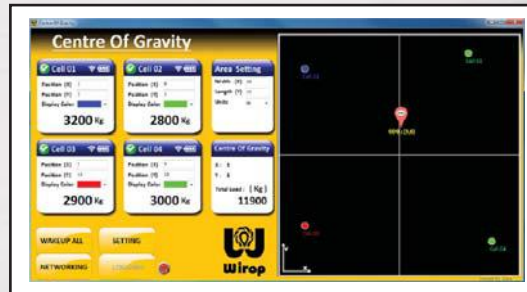
**The Wi-Load Data Logging software package:** is a user friendly, vibrant, and versatile wireless load cell monitoring package. Wi-load allows the user to instantly read load values from multiple load cells. It is capable of monitoring up to 96 load cells via live data. The logging data are saved in excel format, or CSV data file which can be opened for analysis.



**The Certificate Generator software package:** USB reader coupled with Certificate Generator software package read and record the load of a single loadcell against time. It plots the graph showing load vs. time. The interface is similar to Wirop Testbed operating software. It helps the user to generate the test certificate instantly.



**Centre of Gravity software package:** Wirop provides compression loadcells. Capacity ranges from 2.5 t to 100 t. The Compression loadcell coupled with the Centre of Gravity software package. The center of gravity can be easily found.



## Readers:

Wirop developed two type of reading device, Mobile handset and the USB reader. The Mobile Handset reads the load data and records the peak, average, and displays the current load. The Mobile handset simultaneously monitors four wirop load cells. The USB reader sends the load data to the Windows based computers. The USB reader works with any software packages developed by Wirop IT team and provides different functionality for the customers.

**Wireless Handset and Cable Handset:** USB reader coupled with Certificate Generator software package read and record the load of a single loadcell against time. It plots the graph showing load vs. time. The interface is similar to Wirop Testbed operating software. It helps the user to generate the test certificate instantly.

- Reading up to four Wirop wireless load cells at once.
- Showing the load in different units. kg, t, lb, kN.
- Recording the peak load of each load cell.
- Pre-set Zero.
- Peak Recoding
- Summing multiple load value.
- Wireless range up to 500-600 m in free space.
- Battery: Four AA batteries.
- Operating Temperature: -10 °C ~ 50 °C



**USB Reader:** USB reader connects the loadcells with the computer.







## WATER BAGS, CRANE CERTIFICATION FLUID WEIGHT

Streamline your crane testing operations with the Canflex water filled Crane Certification Fluid Weight Water Bags. Made from 100% "High Tenacity" PVC coated polyester fabric material which comes ready with: safety bolt type shackles, master link, fluid transfer fittings, hoses, ball valves, and load cells required for operation. These bags can also be used as an emergency fluid storage container.

### Some of the Crane Certification Fluid Weight Water Bags features are:

- Multiple clusters of up to 300t from a single hook (3 x CT/ CPS-100) can be used for larger test loads.
- Foldable for easy storage and transportation.
- Used worldwide for ship-deck cranes, offshore rigs and general-purpose cranes.
- Sizes 1 to 10 Tonnes water bags shipped with carry/ storage bag. Sizes 12.5 to 100 Tonnes water bags includes Clip-Lok wood shipping / storage box.
- Used worldwide for ship-deck cranes, offshore rigs, and general-purpose cranes.
- Water Bag 3D Model FEA (Finite Element Analysis) Force & Stress
- All Canflex water bags with "Generic" ABS Weight & Volume Certifications.
- All Canflex Crane Test Water Bags maintain a minimum 7:1 Safety Factor of the operational water test bag's Working Load.
- Test multiple crane sizes with one fluid weight.
- All products are Manufactured in accordance with ISO 9001:2015 Quality Management Standard. Canflex (USA) Inc holds certificate No FM 517957
- Capacities range from 1 to 100 Tonnes ( 1,000 to 100,000 Kg).



### LIFEBOAT TEST WATER BAGS

- Lifeboat test water bags are used for evenly distributed load tests. These test water bags come with fill/offload fittings and an automatic relief valve which is activated once the lifeboat bags achieve the desired weight. Capacities 100; 250; 375, 400 and 500 Kg.

### Option Optional Accessories

- 1" Ball valve w/ female camlock
- 20 ft x 1" suction hose with camlocks
- Port Drain Manifold w/ camlocks(4 or 6 ports)
- 50 ft x 2" discharge fire hose
- Water meter (Gallons or m3)
- Air driven double Diaphragm pump
- 6 ft x 2" suction hose with camlocks
- Clip-Lok shipping wood box
- Complete Fill/ Offload LBB kit

### Accessories / Parts Included

- \*\*1" NPT flange connection
- 3/4" Threaded Plug with lanyard Drain / Vent
- Relief Valve







**Water Bags, Crane**

**MATERIAL SPECIFICATIONS: "High Tenacity PVC coated Polyester Fabric " - with RF (HF) Welded seams**

(\*) Material Weight 48 oz/yd<sup>2</sup> (1622 g/m<sup>2</sup>). Tensile Strength 924 lbs/in (8090 N/5cm); 4x2 Panama weave  
 (\*\*) Material Weight 56 oz/yd<sup>2</sup> (1884 g/m<sup>2</sup>). Tensile Strength 1260 lbs/in (11034 N/5cm); 4x4 Panama weave  
 (\*\*\*) Material Weight 67 oz/yd<sup>2</sup> (2278 g/m<sup>2</sup>). Tensile Strength 2112 lbs/in (18500 N/5cm); 4x4 Panama weave  
 (\*\*\*\*) Material Weight 89 oz/yd<sup>2</sup> (3024 g/m<sup>2</sup>). Tensile Strength 2258 lbs/in (19780 N/5cm) ; 6x6 Panama weave

**CANFLEX INC. Crane Certification Fluid Weight Water Bags**

Model	Weight	Volume	Empty Height (Length)	Filled Height (L)	Max Dia. (ø)	Dry Weight without Accessories	Fittings	Shipping Volume with Accessories	Shipping Weight with Accessories
	kg	Liters / m <sup>3</sup>	m	m	m	kg	3" NPT	M3	kg
	lb	USG	ft	ft	ft	lb	4"NPT	ft <sup>3</sup>	lb
* CT/CPS-1LH	1,000	1,000 / 1	2.52	2.23	1.39	36	2	<sup>a</sup> 0.85	<sup>a</sup> 64
	2,204	264	8.27	7.33	4.56	80	0	<sup>a</sup> 30	<sup>a</sup> 140
* CT/CPS-2LH	2,000	2,000 / 2	2.87	2.6	1.65	41	2	<sup>a</sup> 0.85	<sup>a</sup> 68
	4,409	528	9.41	8.5	5.43	90	0	<sup>a</sup> 30	<sup>a</sup> 150
* CT/CPS-3LH	3,000	3,000 / 3	3.38	2.97	1.82	50	2	<sup>a</sup> 0.85	<sup>a</sup> 77
	6,613	792	11.11	9.75	6.0	110	0	<sup>a</sup> 30	<sup>a</sup> 170
* CT/CPS-4LH	4,000	4,000 / 4	3.41	3.07	1.88	64	2	<sup>a</sup> 1.13	<sup>a</sup> 90
	8,818	1,056	11.22	10.1	6.16	141	0	<sup>a</sup> 40	<sup>a</sup> 200
* CT/CPS-5LH	5,000	5,000 / 5	4.14	3.52	2.13	80	3	<sup>a</sup> 1.13	<sup>a</sup> 127
	11,023	1,320	13.60	11.58	7.0	176	0	<sup>a</sup> 40	<sup>a</sup> 280
* CT/CPS-6LH	6,000	6,000 / 6	4.39	3.91	2.28	86	3	<sup>a</sup> 1.13	<sup>a</sup> 131
	13,227	1,585	14.41	12.83	7.48	189	0	<sup>a</sup> 40	<sup>a</sup> 290
* CT/CPS-8LH	8,000	8,000 / 8	4.54	3.93	2.52	104	3	<sup>a</sup> 1.13	<sup>a</sup> 156
	17,636	2,113	14.91	12.91	8.27	230	0	<sup>a</sup> 40	<sup>a</sup> 345
* CT/CPS-10LH	10,000	10,000 / 10	5.18	4.49	2.70	130	3	<sup>a</sup> 1.36	<sup>a</sup> 181
	22,046	2,641	17.0	14.75	8.90	286	0	<sup>a</sup> 48	<sup>a</sup> 400
* CT/CPS-12.5LH	12,500	12,500/ 12.5	5.43	4.62	2.86	154	3	<sup>b</sup> 1.36	<sup>b</sup> 254
	27,558	3,302	17.91	15.16	9.39	340	0	<sup>b</sup> 48	<sup>b</sup> 560
** CT/CPS-15LH	15,000	15,000 / 15	6.24	5.48	2.95	159	3	<sup>b</sup> 1.36	<sup>b</sup> 263
	33,069	3,962	20.50	18.00	9.70	350	0	<sup>b</sup> 48	<sup>b</sup> 580
** CT/CPS-20LH	20,000	20,000 / 20	6.78	6.04	3.42	224	1	<sup>c</sup> 1.81	<sup>c</sup> 376
	44,100	5,283	22.25	19.83	11.25	492	1	<sup>c</sup> 64	<sup>c</sup> 830
*** CT/CPS-25LH	25,000	25,000 / 25	7.51	6.40	3.75	315	1	<sup>c</sup> 1.81	<sup>c</sup> 416
	55,115	6,604	24.66	21.0	12.33	695	1	<sup>c</sup> 64	<sup>c</sup> 917
*** CT/CPS-35LH	35,000	35,000 / 35	8.07	7.11	3.91	417	1	<sup>c</sup> 2.0	<sup>c</sup> 521
	77,161	9,246	26.50	23.33	12.83	920	1	<sup>c</sup> 71	<sup>c</sup> 1150
*** CT/CPS-40LH	40,000	40,000 / 40	8.71	7.72	4.07	440	1	<sup>d</sup> 2.6	<sup>d</sup> 567
	88,184	10,566	28.58	25.33	13.36	970	1	<sup>d</sup> 92	<sup>d</sup> 1250
**** CT/CPS-50LH	50,000	50,000 / 50	8.99	7.77	4.56	544	1	<sup>d</sup> 3.1	<sup>d</sup> 796
	110,231	13,208	29.50	25.50	14.96	1200	1	<sup>d</sup> 112	<sup>d</sup> 1755
**** CT/CPS-100LH	100,000	100,000 / 100	11.27	10.00	5.65	952	1	<sup>e</sup> 4.5	<sup>e</sup> 1450
	220,462	26,420	37.00	32.90	18.56	2100	2	<sup>e</sup> 160	<sup>e</sup> 3200

**NOTES**

- Dry Weight does not include hoses and PVC ball valves.
  - "LH" Designates LOW HEADROOM (short) Water Bag
  - 250 Kg and 500 Kg Fluid Weight Water Bags also available. These bags are tetrahedron shape.
1. Shipping with carry/storage bag made of 18 oz/yd<sup>2</sup>PVC material;
  2. Shipping with Clip-Lok style Woodbox: 48" x45" x 29"H;
  3. Shipping with Clip-Lok style Wood box: 48" x45"x 53"H;
  4. Shipping with Clip-Lok style Wood box: 62" x 45" x 62"H;
  5. Shipping with Clip-Lok style Wood box: 88" x 76" x 62"H;
  6. Gangway Load Test Bags with flat bottom



**Load Monitoring Devices**



## Water Bags, Lifeboat

**MATERIAL SPECIFICATIONS: "High Tenacity PVC coated Polyester Fabric" - with RF (HF) Welded seams**  
 (\*) Material Weight 48 oz/yd<sup>2</sup> (1622 g/m<sup>2</sup>). Tensile Strength 924 lbs/in (8090 N/5cm); 4x2 Panama weave

Model	Weight		Volume		Diameter		Length		Dry Weight	
	kg	lb	Liters / m <sup>3</sup>	USG	m	ft	m	ft	m	ft
	*	LBB-100	100	221	100 / 0.10	26.4	0.32	12.5	1.5	59
*	LBB-250	250	551	250 / 0.25	66.1	0.51	20.0	1.6	63	9
*	LBB-375	375	826	375 / 0.375	99.2	0.51	20.0	2.26	89	10
*	LBB-400	400	881	400 / 0.40	105.8	0.51	20.0	2.40	94.5	11
*	LBB-500	500	1,102	500 / 0.50	132.0	0.51	20.0	2.9	114	13



Load Monitoring Devices





**RIGGING EQUIPMENT**



Wirop Industrial Company Ltd was established in 1979 by Mr. Ben Chiu. Our modern factory is located in Kaohsiung, the southern hub of Taiwan, close to the international airport, harbor and rail ways. We have been providing for the needs of wire rope fabricators for more than 35 years.

The main products we make are hydraulic swaging machines (wire rope clamping machines) [capacity 30 ton ~4000 ton for wire rope [1mm~120mm], dies, horizontal testing benches (capacity: 50 ton~3000 ton), annealing and tapering machines, recoiling machines, marking machines, auto-measuring & cutting machines as well as others. Besides this, we offer Aluminium ferrules according to EN 13411-3 (DIN 3093), Flemish eye steel sleeves from 1/4" to 6" and other swaging products for wire ropes of different kinds of material, i.e. copper, stainless steel, swage sockets and thread stud terminals.



Wire Rope Grip System



200 ton x 22.5 m  
Horizontal Tension tester



Table Swager



Coiling  
Machine



Measuring &  
Cutting Machine

Rigging Equipment



Annealing &  
Tapering Machine



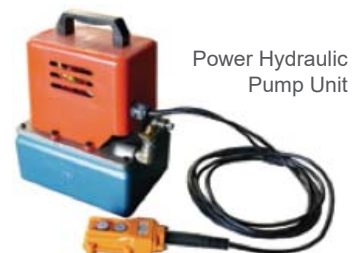
Hand Press  
Portable



Portable  
Hydraulic Press



Portable Hydraulic  
Wire Rope Cutter



Power Hydraulic  
Pump Unit





## FAST FLEMISH SWAGE SYSTEM

This swaging is not only faster and more efficient but it greatly reduces the possibility of over or under swaging the sleeve. In the first swage step, the sleeve cannot be over swaged because of the precise notching of the die; the second step allows a controlled closing of the dies to slightly less than full closure whereby the third and final step allows full closer of the dies. The end result is a nearly smooth round swaged sleeve without the usual “wrinkles” one gets from the conventional swaging methods.

Conventional swaging of a round carbon steel sleeve on the wire rope has repeated multiple closing of the dies until the sleeve is completely swaged. This “multi-swage” system of swaging requires several die closures that are dependent on the wire rope diameter. On rope diameters 1” and larger, two dies are necessary to swage the sleeve, requiring an extra die change. The total number of die closures for sleeves larger than 1” diameter can be as many as ten total closures for the two sets of dies.

In the Wirop “Fast Flemish Swage” system not only are the number of swages minimized and simplified, over and under swaging are eliminated, multi-swages on sleeves over 1” in size are greatly reduced. Die changes from 1st open stage to 2nd taper is also eliminated.

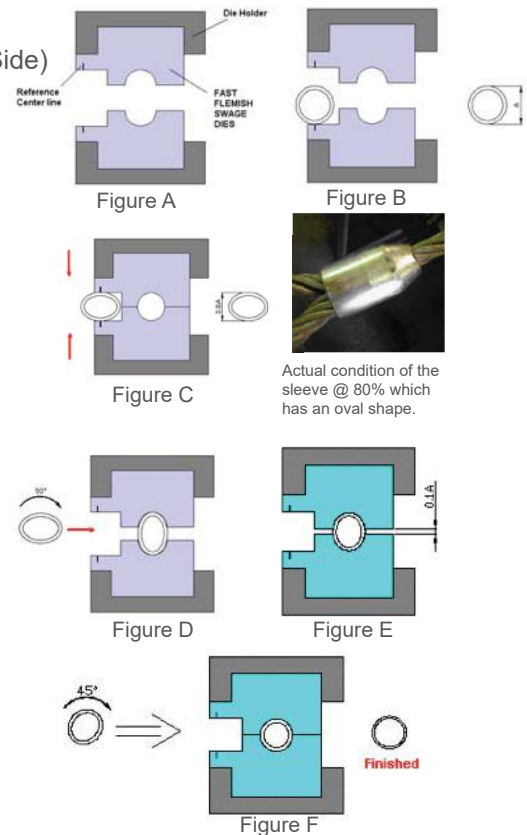
Fast Flemish Swage system is available up to 2-1/2” sleeve diameters. Bigger sizes are under development.

Wirop swaging machines are packed with functions that add to the efficiency and speed in swaging. Should the users choose to use the machine to swage sleeves conventionally; the operator is able to adjust the hydraulic pressure simply by setting the sleeve size on a round dial. This function alone eliminates the guesswork for how much pressure to apply for a given size sleeve. Another simple dial but extremely useful function allows the die openings to be fixed to any desired amount of opening. Aluminium oval ferrules are swaged in just one step as the dies have cutting edges that remove the excess flash. Fully automatic one button swage for Aluminium oval ferrules is a huge time saver. In the automatic mode the dies close and open with the push of a button. The dies opening can be pre-set to just enough space to allow the swage sleeve to be removed, again saving time to insert the next sleeve to be swaged quickly and efficiently.

### WIROP “FAST FLEMISH SWAGE” swaging instruction

(Instructions vary for different size sleeves)

- (1) Place the Flemish Eye steel sleeves on the “Flat Side” (Notched Side) by lining the center line of sleeves with the reference center line (see Figure A) of the die as shown in Figure B
- (2) Close the dies completely. The sleeves will be swaged to 80% of diameter A and turn into an oval shape as in Figure C
- (3) Turn the swaged sleeve 90 degrees and place the sleeve on the die as shown below in Figure D
- (4) Close the die until gap is about 0:1 A as shown in Figure E
- (5) Turn the sleeve 45 degree again and close the dies completely as shown in Figure F





**RIGGING EQUIPMENT**

Description	Value
Column	1
Max. Pressure Capacity	1350 (t)
Power Supply	25 Hp
Max. Oil Pressure	300 kg/cm <sup>2</sup>
Max. Piston Stroke	120 mm
Unloaded Speed	8.1 mm/s
Loaded Speed	1.2 mm/s
Reversing Speed	12.4 mm/s
Operating Height	1250 mm
Dimensions L*W*H	3100*1050*2480
Approximate Weight	19000 kg



**WP-1300C**

Capacity		
Aluminium Ferrules ( one/multi-stage)	# 58 / # S66	
Flemish Eye Steel Sleeve	3-1/4"	
Swage Sockets	Full Shank	1-1/8"
	Progressive	2"

**SWAGING MACHINE NEW-TECH "SMART PRESS"**

Wirop is pleased to introduce a new generation swaging machine.

**NEW CONCEPT:**

HMI (Human Machine Interface), PLC, Pressure Sensor, Temperature Sensor and Special design die No. sensor system combined as Wirop NEW-TECH swaging machine. The dies No. can be detected by Special Sensor System on die holder and show the Die No. on screen.

**NEW OPERATION MODE:**

The FUZZY mode allows swaging pressure to be set automatically according to the detected Die No. by Special Sensor System. The operator does not need to set the swaging pressure manually.

**SELF-DETECTION:**

The troubles such as overload, high oil temperature, imperfect die installation and so on can be detected and appear on the troubleshooting screen.

**ON-LINE HELP:**

On-line Help is available. The swaging information is stored in memory. It is easy to get the swaging information such as splicing table, swaging method, and operation menu on screen.



**WP-600CN**

**Rigging Equipment**





## REELING MACHINES WIROP SHAFTLESS



Model	WPRC-3500	WPRC-4500	WPRC-8000
Power supply, (HP)	15 HP/4P	15 HP/4P	25 HP/4P
Outside diameter of reels, (mm)	500~1500	500~1700	500~2100
Width of reels, (mm)	400~1500	400~1500	400~1700
Drum weight with wire rope wound on, (kg)	3500	4500	8000
Inner reel hole diameter (stepped up type)	30~90mm	30~90mm	30~90mm
Adjustable speed, (RPM)	0~40	0~40	0~45
Oil tank capacity, Liter (l)	330	350	400
Dimensions (W x L x H) (mm)	2600x3000x1200	2800x3000x1200	2800x3500x1350

\* WIROP® reserves the right to change specifications.

Rigging Equipment



- Easier loading and unloading
- User friendly operation control
- Motorized opening /closing of pintles with mechanical torque limiters (by hydraulic cylinders)
- Motorized lifting and lowering of pintles to fit appropriate reels (by hydraulic cylinders)
- Adjustable winding speed and the rotation direction (forward or reverse) can be switched
- The system has braked control in the winding process to avoid over coiling
- Wireless remote control box



**OPTIONAL EQUIPMENT:**  
Power Traverse System  
Collapsible Coiling Arm







**SWAGING MACHINES FROM 150 TE TO 4,000 TE**



Rigging Equipment



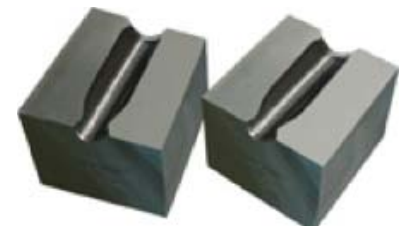
Wirop Swag Dies



Swage Socket Dies



Flemish Eye Steel Sleeve Dies  
(Fast Flemish Wage System)

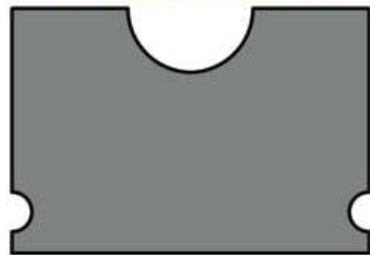


Flemish Eye Steel Sleeve Dies  
(Conventional)



# DIE LUBE

## SWAGING LUBRICANT



- Specially formulated to prevent pre-mature wearing of dies
- Minimizes friction to allow swage fitting to "flow" while pressing
- Helps to produce higher quality surface finish on swage fitting
- Lubrication of swaging dies is necessary to properly press all types of swage fittings

**EXTREMELY LOW COEFFICIENT OF FRICTION FOR HIGH PRESSURE APPLICATIONS**

### Die Lube - Swaging Lubricant



Size	Price / ea.	Part Number
1 gallon pail	STOCKED	38-DIELUBE1G
5 gallon pail	STOCKED	38-DIELUBE5G

#### What happens during the swaging process?

While being pressed, swage fittings will actually elongate. After swage lengths are always longer than before swage lengths. This shows that there is heat and wear being generated by metal to metal contact under great pressure. By design, dies are harder than swaging fittings. Despite the difference in hardness between the dies and swage fittings, the dies will wear during the swaging process.

#### Why is it necessary to lubricate while swaging?

Because you have two metal surfaces grinding against each other under great pressure, a lubricant is required to minimize the friction between the surfaces. Lubrication assists the metal of the swage fitting to flow more freely and therefore minimize wear on the die surface. It is important to note that not only does lubricating minimize die wear; it promotes the elongation of swage fittings rather than squeezing the metal of the fitting to the sides which then produce excessive metal "flesh". This metal "flesh" tends to produce an ugly finish on the fitting and can cause the fitting to crack.

#### What makes "Die-Lube" such a good lubricant for its application?

"Die-Lube" is formulated to possess a high coefficient of friction under high pressure, compressive loads. This means friction is absolutely minimized. Common heavy greases are certainly better than no lubrication, but most grease is not formulated to perform under high pressure and for dies with swage fittings. Besides being a quality high pressure lubricant, "Die-Lube" is affordably priced and will protect the investment you have in your dies.

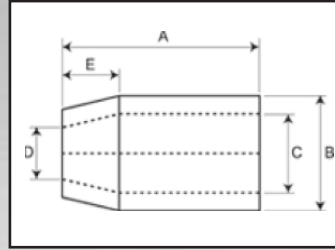
Rigging Equipment



## Sleeve (Ferrule) - Flemish Splice, Carbon Steel

Larger sizes available on request to 6" diameter wire rope.

Wirop Flemish Splice Steel Sleeves are stamped with size and PIC (product identification code) to assure traceability and come with a galvanized finish for prolonged life in harsh environments. When a self colored and galvanized sleeve are left out in the elements for a prolonged period of time the results are obvious. The self colored sleeve shows severe signs of surface rust and pitting while the galvanized sleeve shows little to no effect. Each sleeve shown below (center) was put side by side and left outside for one month.

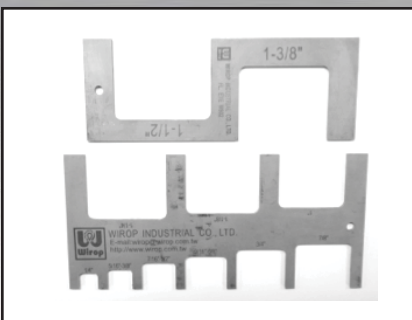


Wire Rope Size (in)	Max. after swage Dim. (in)	Weight (lb) / 100 pcs	Dimensions (mm)					Qty./ box	Price / ea.	Part Number
			A	B	C	D	E			
1/4	0.57	5	1.00	0.66	0.47	0.31	0.28	1000	STOCKED	139-1/4"
5/16	0.75	14	1.50	0.91	0.62	0.38	0.44	300	STOCKED	139-5/16"
3/8	0.75	14	1.50	0.91	0.66	0.47	0.39	350	STOCKED	139-3/8"
7/16	1.01	33	2.00	1.22	0.85	0.53	0.65	130	STOCKED	139-7/16"
1/2	1.01	29	2.00	1.22	0.91	0.63	0.56	150	STOCKED	139-1/2"
9/16	1.24	64	2.75	1.47	1.03	0.70	0.63	60	STOCKED	139-9/16"
5/8	1.24	56	2.75	1.47	1.09	0.75	0.63	70	STOCKED	139-5/8"
3/4	1.46	88	3.19	1.72	1.28	0.91	0.84	50	STOCKED	139-3/4"
7/8	1.68	131	3.56	2.03	1.53	1.03	1.00	30	STOCKED	139-7/8"
1	1.93	195	4.00	2.28	1.72	1.16	1.13	20	STOCKED	139-1"
1- 1/8	2.13	260	4.81	2.50	1.94	1.28	1.25	16	STOCKED	139-1-1/8"
1- 1/4	2.32	355	5.19	2.78	2.16	1.44	1.41	11	STOCKED	139-1-1/4"
1- 3/8	2.52	423	5.81	3.00	2.38	1.56	1.56	9	STOCKED	139-1-3/8"
1- 1/2	2.71	499	6.25	3.25	2.63	1.69	1.69	8	STOCKED	139-1-1/2"
1-3/4	3.1	805	7.25	3.84	3.13	1.94	1.97	5	STOCKED	139-1-3/4"
2	3.56	1132	8.50	4.38	3.63	2.25	2.25	Bulk	STOCKED	139-2"
2-1/4	4.12	1936	9.56	5.03	4.03	2.50	2.53	Bulk	STOCKED	139-2-1/4"
2-1/2	4.5	2352	10.5	5.50	4.50	2.75	2.81	Bulk	STOCKED	139-2-1/2"

Stamping of swaged steel sleeves for identification is allowed without concern of fractures if the following directions are followed:

1. Use round corner stamps.
2. The maximum depth of stamps is not over 0.015 inch (0.4mm).
3. The area for stamping should be on the side of the sleeve in the plane of the sling eye, and no less than 0.25 inch (6.35mm) from either end of sleeve.

## Go-No-Go Guages - for Flemish Eye Steel Sleeves (Ferrules)

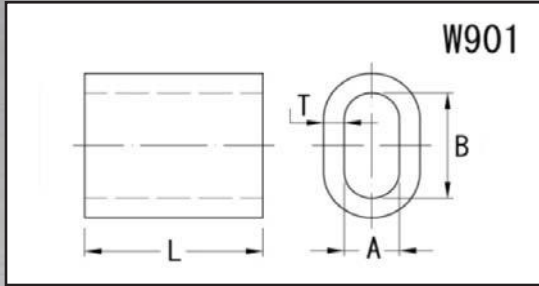


For measuring after swage dimensions of Flemish eye steel sleeves to ensure the sleeve is swaged to proper dimensions for reasons such as worn dies and / or incorrect swaging procedures.

For Sleeve Sizes	Price / ea.	Part Number
1/4" ~ 1-1/4"	STOCKED	176-1/4-1-1/4NGG
1-3/8" ~ 1-1/2"	STOCKED	176-1-3/8-1-1/2NGG
1-3/4" ~ 2"	STOCKED	176-1-3/4-2NGG
2-1/4" ~ 2-1/2"	STOCKED	176-2-1/4-2-1/2NGG



**Sleeve (Ferrule) - Aluminium**



Ferrule Code	Dimensions (mm)				Weight (lb) / 100 pcs	Price / ea.	Part Number
	A	B	T	L			
11	12.1	24.2	4.5	39	7.89	STOCKED	176-W901-011
12	13.2	26.4	4.9	42	10.09	STOCKED	176-W901-012
13	14.2	28.4	5.4	46	13.16	STOCKED	176-W901-013
14	15.3	30.6	5.8	49	16.20	STOCKED	176-W901-014
16	17.5	35	6.7	56	24.46	STOCKED	176-W901-016
18	19.6	39.2	7.6	63	34.38	STOCKED	176-W901-018
20	21.7	43.4	8.4	70	47.83	STOCKED	176-W901-020
22	24.3	48.6	9.2	77	64.36	STOCKED	176-W901-022
24	26.4	52.8	10	84	82.87	STOCKED	176-W901-024
26	28.5	57	10.9	91	106.01	STOCKED	176-W901-026
28	31	62	11.7	98	132.90	STOCKED	176-W901-028
30	33.1	66.2	12.5	105	162.88	STOCKED	176-W901-030
32	35.2	70.4	13.4	112	197.70	STOCKED	176-W901-032
34	37.8	75.6	14.2	119	237.44	STOCKED	176-W901-034
36	39.8	79.6	15	126	281.01	STOCKED	176-W901-036

Manufactured as per EN13411-3 (DIN 3093) standard from the size of #2.5 to #60.

All WIROP® aluminium ferrules are made of seamless aluminium. Random samples have been passed with 75,000 cycles fatigue test, and strictly follow the material composition and mechanical property requirements of the EN 13411-3 (DIN 3093) standard.

Dies for EN 13411-3 Form A (DIN 3093) Aluminium Ferrules Swaging are needed in order to swage these aluminium ferrules.

Swaging is finished in one step. Turn the ferrule 90 degrees and swage again is NOT recommended. WIROP® reserves the right to change specifications.

Please refer to the Ferrule Size Selection Chart on the next page to find the correct size ferrule for the type of wire being used - Table A.2, Ferrule Size Numbers from the BS EN 13411-3:2004 standard.

Sleeves (Ferrules)



**SLEEVES (FERRULES) SIZE NUMBER TABLE A.2**

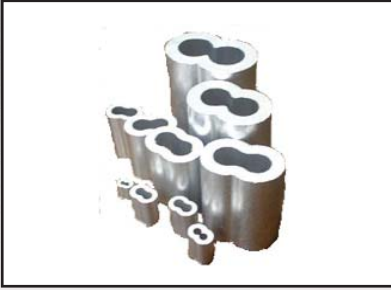
Rope Diameter			Ferrule Size Number Table A.2			
			Case 1	Case 2	Case 3	Case 4
Nominal Dia. (mm)	Measured		single layer round strand ropes with FC and cable laid ropes C ≥ 0,283	single layer round strand ropes with IWRC and rota- tion-resistant round strand ropes C ≤ 0,487	single layer round strand ropes with IWRC, rotation-resistant ropes and parallel-closed ropes 0,487 < C ≤ 0,613	spiral strands  2 ferrules C ≥ 0,613
	from: (mm)	to: (mm)				
2.5	2.5	2.7	2.5	3	-	-
3	2.8	3.2	3	3.5	-	-
3.5	3.3	3.7	3.5	4	-	-
4	3.8	4.3	4	4.5	-	5
4.5	4.4	4.8	4.5	5	-	6
5	4.9	5.4	5	6	-	6.5
6	5.5	5.9	6	6.5	-	7
	6	6.4			7	
6.5	6.5	6.9	6.5	7	8	8
7	7	7.4	7	8	9	9
8	7.5	7.9	8	9	9	10
	8	8.4			10	
9	8.5	8.8	9	10	10	11
	9	9.5			11	
10	9.6	9.9	10	11	11	12
	10	10.5			12	
11	10.6	10.9	11	12	12	13
	11	11.6			13	
12	11.7	11.9	12	13	13	14
	12	12.6			14	
13	12.7	12.9	13	14	14	16
	13	13.7			16	
14	13.8	13.9	14	16	16	18
	14	14.7			18	
16	14.8	15.9	16	18	18	20
	16	16.8			20	
18	16.9	17.9	18	20	20	22
	18	18.9			22	
20	19	19.9	20	22	22	24
	20	21			24	
22	21.1	21.9	22	24	24	26
	22	23.1			26	
24	23.2	23.9	24	26	26	28
	24	25.2			28	
26	25.3	25.9	26	28	28	30
	26	27.3			30	
28	27.4	27.9	28	30	30	32
	28	29.4			32	
30	29.5	29.9	30	32	32	34
	30	31.5			34	
32	31.6	31.9	32	34	34	36
	32	33.6			36	
34	33.7	33.9	34	36	36	38
	34	35.7			38	
36	35.8	35.9	36	38	38	40
	36	37.8			40	
38	37.9	37.9	38	40	40	44
	38	39.9			44	
40	40	42	40	44	48	48
44	42.1	43.9	44	48	48	48
	44	46.2			52	
48	46.3	47.9	48	52	52	52
	48	50.4			56	
52	50.5	51.9	52	56	56	60
	52	54.6			60	
56	54.7	55.9	56	60	-	-
	56	58.8			-	
60	58.9	59.9	60	-	-	-
	60	63		-		

**Sleeves (Ferrules)**



## Sleeve (Ferrule) - Aluminium Duplex

Generally used with galvanized wire



Cable Size (in)	Weight / 100 pcs (lb)	Dimensions (in)			O.D After Swage (in)	Price / ea.	Part Number
		Length	Depth	Width			
1/16	0.10	3/8	11/64	1/4	0.187	STOCKED	6-1/16ALDUP
3/32	0.30	1/2	9/32	13/32	0.281	STOCKED	6-3/32ALDUP
1/8	0.66	5/8	11/32	1/2	0.312	STOCKED	6-1/8ALDUP
5/32	0.88	11/16	3/8	9/16	0.375	STOCKED	6-5/32ALDUP
3/16	1.6	1	7/16	21/32	0.437	STOCKED	6-3/16ALDUP
1/4	2.8	1-1/8	17/32	13/16	0.563	STOCKED	6-1/4ALDUP
5/16	4.6	1-1/4	11/16	1-1/32	0.687	STOCKED	6-5/16ALDUP
3/8	5.9	1-7/16	3/4	1-5/32	0.812	STOCKED	6-3/8ALDUP
7/16	12	1-11/16	15/16	1-7/16	1.000	STOCKED	6-7/16ALDUP
1/2	17	2	1-1/16	1-5/8	1.120	STOCKED	6-1/2ALDUP

## Sleeve (Ferrule) - Aluminium Stop

Generally used with galvanized wire



Cable Size (in)	Weight / 100 pcs (lb)	Outside Dia. (in)	Inside Dia. (in)	O.D After Swage (in)	Price / ea.	Part Number
1/16	0.06	1/4	3/32	0.187	STOCKED	6-AST116
3/32	0.25	11/32	1/8	0.245	STOCKED	6-AST332
1/8	0.24	11/32	5/32	0.245	STOCKED	6-AST18
5/32	0.38	7/16	3/16	0.325	STOCKED	6-AST532
3/16	0.35	7/16	7/32	0.325	STOCKED	6-AST316
1/4	2.06	11/16	9/32	0.508	STOCKED	6-AST14
5/16	1.74	11/16	3/8	0.508	STOCKED	6-AST516

## Sleeve (Ferrule) - Copper Oval

Generally used with stainless steel wire



Cable Size (in)	Weight / 100 pcs (lb)	Dimensions (in)			O.D After Swage (in)	Price / ea.	Part Number
		Length	Depth	Width			
1/16	0.3	25/64	11/64	1/4	0.190	STOCKED	91-CSL116
3/32	0.65	29/64	15/64	3/8	0.265	STOCKED	91-CSL332
1/8	1.6	9/16	21/64	1/2	0.353	STOCKED	91-CSL18
5/32	2.3	5/8	3/8	19/32	0.390	STOCKED	91-CSL532
3/16	5.1	7/8	7/16	43/64	0.475	STOCKED	91-CSL316
1/4	7.5	1-1/8	13/16	1/2	0.585	STOCKED	91-CSL14
5/16	11.8	1-1/8	21/32	1-1/64	0.730	STOCKED	91-CSL516
3/8	17	1-1/2	23/32	1-1/8	0.795	STOCKED	91-CSL38

## Sleeve (Ferrule) - Copper Stop

Generally used with stainless steel wire



Cable Size (in)	Weight / 100 pcs (lb)	Outside Diameter (in)	Inside Diameter (in)	O.D After Swage (in)	Price / ea.	Part Number
1/16	0.20	13/64	5/64	0.182	STOCKED	91-CST116
3/32	0.80	21/64	7/64	0.261	STOCKED	91-CST332
1/8	0.80	21/64	5/32	0.261	STOCKED	91-CST18
5/32	1.3	27/64	3/16	0.350	STOCKED	91-CST532
3/16	1.2	27/64	7/32	0.350	STOCKED	91-CST316
1/4	6	21/32	9/32	0.600	STOCKED	91-CST14
5/16	9	21/32	5/16	0.600	STOCKED	91-CST516

## Sleeve (Ferrule) - Stainless Steel Duplex

Material: 304 Stainless Steel

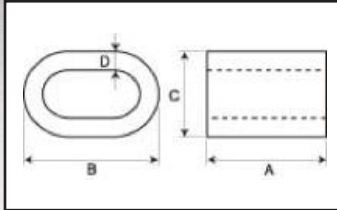


Cable Size (in)	Weight / each (lb)	Before Swage (in)			After Swage (in)		Price / ea.	Part Number
		Length	Width	Height	Length	Dia.		
1/4	0.03	7/8	9/16	3/4	1	0.53	STOCKED	15-1/4SSSLEEVE
5/16	0.18	1-19/32	25/32	1-1/8	1-9/16	0.76	STOCKED	15-5/16SSSLEEVE
3/8	0.14	1-23/32	13/16	1-1/8	1-7/8	0.76	STOCKED	15-3/8SSSLEEVE
7/16	0.35	2-1/32	1-1/32	1-7/16	1-15/16	1.01	STOCKED	15-7/16SSSLEEVE
1/2	0.31	2	1	1-7/16	2-1/4	1.01	STOCKED	15-1/2SSSLEEVE
9/16	0.6	2-1/4	1-3/16	1-3/4	2-1/2	1.27	STOCKED	15-9/16SSSLEEVE
5/8	0.6	2-23/32	1-1/4	1-13/16	2-5/8	1.27	STOCKED	15-5/8SSSLEEVE
3/4	1	3	1-7/16	2-1/8	3-3/8	1.53	STOCKED	15-3/4SSSLEEVE

Sleeves (Ferrules)



## Sleeve (Ferrule) - Duplex Oval



Rope Size (in)	Weight / 100 pcs (lb)	Dimensions (in)				After Swage Dia. (in)	Price / ea.	Part Number
		A	B	C	D			
5/16	17	1.25	1.08	0.81	0.19	0.77	STOCKED	33-903-08
3/8	13	1.25	1.12	0.81	0.14	0.77	STOCKED	33-903-10
7/16	31	1.63	1.41	1.02	0.19	1.03	STOCKED	33-903-11
1/2	27	1.63	1.44	1.02	0.16	1.03	STOCKED	33-903-13
9/16	63	2.25	1.72	1.23	0.23	1.29	STOCKED	33-903-14
5/8	54	2.25	1.84	1.28	0.20	1.29	STOCKED	33-903-16
3/4	90	2.63	2.16	1.52	0.23	1.55	STOCKED	33-903-19
7/8	126	2.88	2.50	1.75	0.27	1.80	STOCKED	33-903-22
1	187	3.06	2.84	2.00	0.33	2.05	STOCKED	33-903-25
1-1/4	384	4.06	3.50	2.50	0.38	2.56	STOCKED	33-903-32

## Sleeve (Ferrule) - Button Stop



Cable Size (in)	Weight / 100 pcs (lb)	Before Swage Dimension (in)			After Swage Dimension (in)		Price / ea.	Part Number
		O.D.	Length	Hole Dia.	Max Dia.	Length		
1/4	8	0.63	1.06	0.30	0.58	1.41	STOCKED	16-1/4"BUTTON
5/16	16	0.88	1.13	0.36	0.77	1.33	STOCKED	16-5/16"BUTTON
3/8	15	0.88	1.48	0.42	0.77	1.69	STOCKED	16-3/8"BUTTON
7/16	30	1.13	1.63	0.48	1.03	1.94	STOCKED	16-7/16"BUTTON
1/2	50	1.31	1.89	0.55	1.16	2.17	STOCKED	16-1/2"BUTTON
5/8	100	1.56	2.42	0.67	1.42	2.89	STOCKED	16-5/8"BUTTON
3/4	131	1.69	2.73	0.79	1.55	3.25	STOCKED	16-3/4"BUTTON
7/8	220	2.00	3.27	0.94	1.80	3.86	STOCKED	16-7/8"BUTTON
1	310	2.25	3.67	1.06	2.05	4.36	STOCKED	16-1"BUTTON
1-1/8	450	2.56	4.05	1.19	2.30	4.81	STOCKED	16-1-1/8"BUTTON
1-1/4	650	2.81	4.58	1.33	2.56	5.42	STOCKED	16-1-1/4"BUTTON

## Marlin Spike



Size (in)	Price / ea.	Part Number
6	STOCKED	99-MS06
8	STOCKED	99-MS08
10	STOCKED	99-MS10
12	STOCKED	99-MS12
14	STOCKED	99-MS14
16	STOCKED	99-MS16
18	STOCKED	99-MS18
20	STOCKED	99-MS20

## Logging Equipment

## Hook - Micro Midget Choker



### Choker Button

Size (in)	Price / ea.	Part Number
7/16	STOCKED	31-7/16"CB
1/2	STOCKED	31-1/2"CB

- New Improved Manufacturing process
- Material: 35CMRO Alloy Steel Heat treated

Price / ea.	Part Number
STOCKED	90-CHCM

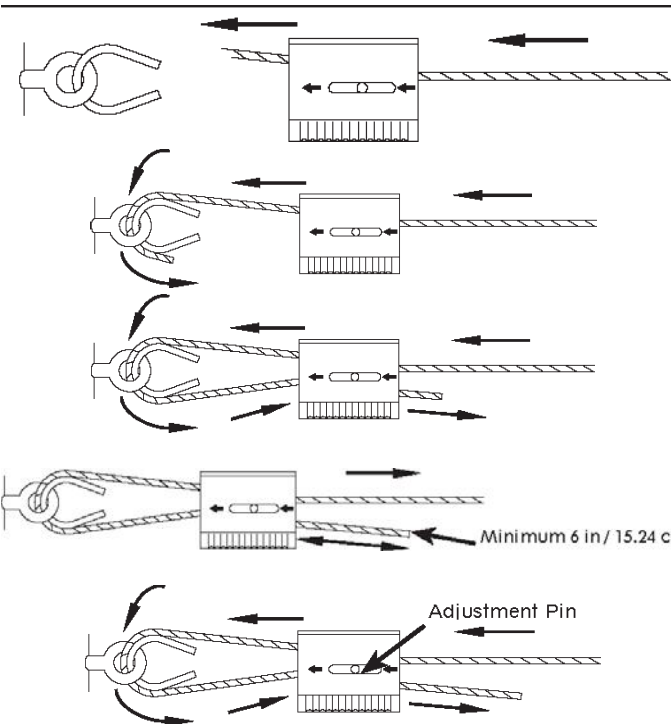


**Cable Joiner - Self-Locking**

WLL (lb)	Wire Diameter (in)	Wire Construction	Material	Price	Part Number
10 - 75	1/16	7 x 7	Galvanised Steel	STOCKED	27-KL75
0 - 75	1/16	7 x 7	Galvanised Steel	Pricing on Request	27-KL100
25 - 150	3/32	7 x 7	Galvanised Steel		27-KL150
25 - 150	3/32	7 x 7	Galvanised Steel		27-KL200
25 - 250	1/8	7 x 7	Galvanised Steel		27-KL200
25 - 250	1/8	7 x 7	Galvanised Steel		27-KL200
50 - 640	3/16	7 x 19	Galvanised Steel		27-KL200
50 - 1000	1/4	7 x 19	Galvanised Steel		27-KL600



**Assembly Instructions:**



Pull adjustment pin back and pass wire through joiner. Failure to pull adjustment pin first may cause damage to serrated teeth and reduce holding capacity.

Lop wire through anchor.

Pull adjustment pin back and pass wire back through joiner. Push through at least 6" of wire rope.

Always confirm engagement of joiner on wire before applying load by pushing the adjustment pin in the opposite direction of the arrows on the cable lock and then pulling the cable also in the opposite direction of the arrows on the cable lock.

To adjust, take the load off and pull the tail slightly to disengage teeth, then release using adjustment pin.

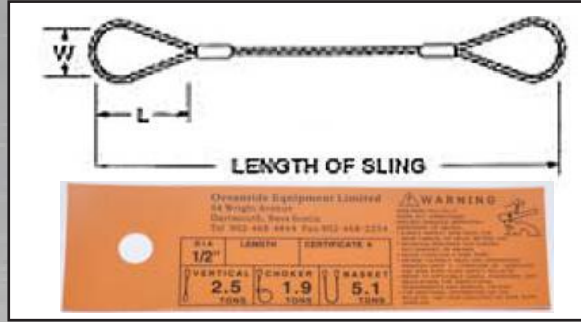
**Warning Instructions:**

- To ensure hanging system integrity and safety, use only properly sized wire rope.
- Always pull adjustment pin back before passing wire rope through rise cable lock. Failure to pull adjustment pin first may cause damage to serrated teeth and reduce holding capacity.
- Always confirm engagement of joiner on wire before applying load by pushing the adjustment pin in the opposite direction of the arrows on the cable lock and then pulling the cable also in the opposite direction of the arrows on the cable lock.
- Do not use for loads outside the stated range of the product.
- Do not exceed the safe working range of the product.
- Do not use on coated wire rope, paint, lubricant, or other coating.
- Do not use for lifting or dynamic loads.
- Keep the product clean and free from dirt.
- Remove damaged cable end prior to inserting into the joiner.
- Do not use in chlorinated atmospheres.
- For use on static load applications only.

**Electrical**

## Sling - Wire Rope, Bright, with A1 Light Lube

Diameter of Wire Rope vs. Standard length for Pricing (5:1 by design API spec. 9a table 3.7)



**\* Bright \***

Length (ft)	1/2"		5/8"		3/4"		7/8"	
	Price / ea.	Part #	Price / ea.	Part #	Price / ea.	Part #	Price / ea.	Part #
3	STOCKED	SE-B-1/2X3	STOCKED	SE-B-5/8X3	-	-	-	-
4	STOCKED	SE-B-1/2X4	STOCKED	SE-B-5/8X4	STOCKED	SE-B-3/4X4	STOCKED	SE-B-7/8X4
5	STOCKED	SE-B-1/2X5	STOCKED	SE-B-5/8X5	STOCKED	SE-B-3/4X5	STOCKED	SE-B-7/8X5
6	STOCKED	SE-B-1/2X6	STOCKED	SE-B-5/8X6	STOCKED	SE-B-3/4X6	STOCKED	SE-B-7/8X6
7	STOCKED	SE-B-1/2X7	STOCKED	SE-B-5/8X7	STOCKED	SE-B-3/4X7	STOCKED	SE-B-7/8X7
8	STOCKED	SE-B-1/2X8	STOCKED	SE-B-5/8X8	STOCKED	SE-B-3/4X8	STOCKED	SE-B-7/8X8
9	STOCKED	SE-B-1/2X9	STOCKED	SE-B-5/8X9	STOCKED	SE-B-3/4X9	STOCKED	SE-B-7/8X9
10	STOCKED	SE-B-1/2X10	STOCKED	SE-B-5/8X10	STOCKED	SE-B-3/4X10	STOCKED	SE-B-7/8X10
11	STOCKED	SE-B-1/2X11	STOCKED	SE-B-5/8X11	STOCKED	SE-B-3/4X11	STOCKED	SE-B-7/8X11
12	STOCKED	SE-B-1/2X12	STOCKED	SE-B-5/8X12	STOCKED	SE-B-3/4X12	STOCKED	SE-B-7/8X12
15	STOCKED	SE-B-1/2X15	STOCKED	SE-B-5/8X15	STOCKED	SE-B-3/4X15	STOCKED	SE-B-7/8X15
20	STOCKED	SE-B-1/2X20	STOCKED	SE-B-5/8X20	STOCKED	SE-B-3/4X20	STOCKED	SE-B-7/8X20
Std. eye size (in)	4 x 8		5 x 10		6 x 12		7 x 14	
WLL (t)	2.5		3.9		5.6		7.6	
Wt / ft (lb)	0.46		0.72		1.04		1.42	

Length (ft)	1"		1-1/8"		1-1/4"	
	Price / ea.	Part #	Price / ea.	Part #	Price / ea.	Part #
3	-	-	-	-	-	-
4	-	-	-	-	-	-
5	STOCKED	SE-B-1X5	STOCKED	SE-B-1-1/8X5	-	-
6	STOCKED	SE-B-1X6	STOCKED	SE-B-1-1/8X6	STOCKED	SE-B-1-1/4X6
7	STOCKED	SE-B-1X7	STOCKED	SE-B-1-1/8X7	STOCKED	SE-B-1-1/4X7
8	STOCKED	SE-B-1X8	STOCKED	SE-B-1-1/8X8	STOCKED	SE-B-1-1/4X8
9	STOCKED	SE-B-1X9	STOCKED	SE-B-1-1/8X9	STOCKED	SE-B-1-1/4X9
10	STOCKED	SE-B-1X10	STOCKED	SE-B-1-1/8X10	STOCKED	SE-B-1-1/4X10
11	STOCKED	SE-B-1X11	STOCKED	SE-B-1-1/8X11	STOCKED	SE-B-1-1/4X11
12	STOCKED	SE-B-1X12	STOCKED	SE-B-1-1/8X12	STOCKED	SE-B-1-1/4X12
15	STOCKED	SE-B-1X15	STOCKED	SE-B-1-1/8X15	STOCKED	SE-B-1-1/4X15
20	STOCKED	SE-B-1X20	STOCKED	SE-B-1-1/8X20	STOCKED	SE-B-1-1/4X20
Std. eye size (in)	8 x 16		9 x 18		10 x 20	
WLL (t)	9.8		12		15	
Wt / ft (lb)	1.85		2.34		2.89	

\*All wire rope slings made with EIPS, IWRC Bright Wire rope with A1 light lube with steel ferrule and Flemish roll splice complete with tag showing size, length, WLL and manufacture. Rated in Imperial Ton(s) (2000 lb)

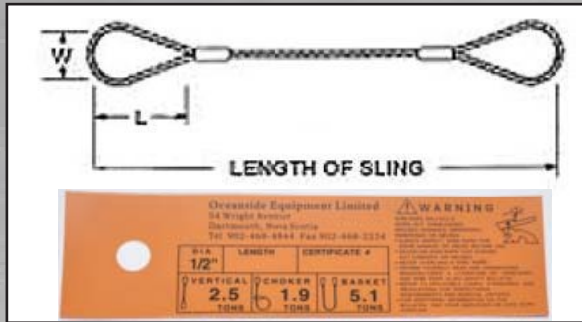
Slings





## Sling - Wire Rope, Galvanized

Diameter of Wire Rope vs. Standard length for Pricing  
(5:1 by design API spec. 9a table 3.7)



**\* Galvanized \***

Length (ft)	1/4"		3/8"		1/2"		5/8"	
	Price / ea.	Part #	Price / ea.	Part #	Price / ea.	Part #	Price / ea.	Part #
2	STOCKED	SE-G-1/4X2	STOCKED	SE-G-3/8X2	-	-	-	-
3	STOCKED	SE-G-1/4X3	STOCKED	SE-G-3/8X3	STOCKED	SE-G-1/2X3	STOCKED	SE-G-5/8X3
4	STOCKED	SE-G-1/4X4	STOCKED	SE-G-3/8X4	STOCKED	SE-G-1/2X4	STOCKED	SE-G-5/8X4
5	STOCKED	SE-G-1/4X5	STOCKED	SE-G-3/8X5	STOCKED	SE-G-1/2X5	STOCKED	SE-G-5/8X5
6	STOCKED	SE-G-1/4X6	STOCKED	SE-G-3/8X6	STOCKED	SE-G-1/2X6	STOCKED	SE-G-5/8X6
7	STOCKED	SE-G-1/4X7	STOCKED	SE-G-3/8X7	STOCKED	SE-G-1/2X7	STOCKED	SE-G-5/8X7
8	STOCKED	SE-G-1/4X8	STOCKED	SE-G-3/8X8	STOCKED	SE-G-1/2X8	STOCKED	SE-G-5/8X8
9	STOCKED	SE-G-1/4X9	STOCKED	SE-G-3/8X9	STOCKED	SE-G-1/2X9	STOCKED	SE-G-5/8X9
10	STOCKED	SE-G-1/4X10	STOCKED	SE-G-3/8X10	STOCKED	SE-G-1/2X10	STOCKED	SE-G-5/8X10
11	STOCKED	SE-G-1/4X11	STOCKED	SE-G-3/8X11	STOCKED	SE-G-1/2X11	STOCKED	SE-G-5/8X11
12	STOCKED	SE-G-1/4X12	STOCKED	SE-G-3/8X12	STOCKED	SE-G-1/2X12	STOCKED	SE-G-5/8X12
15	STOCKED	SE-G-1/4X15	STOCKED	SE-G-3/8X15	STOCKED	SE-G-1/2X15	STOCKED	SE-G-5/8X15
20	STOCKED	SE-G-1/4X20	STOCKED	SE-G-3/8X20	STOCKED	SE-G-1/2X20	STOCKED	SE-G-5/8X20
Std. eye size (in)	2 x 4		3 x 6		4 x 8		5 x 10	
WLL (t)	0.65		1.4		2.5		3.9	
Wt. / ft (lb)	0.116		0.26		0.46		0.72	

Length (ft)	3/4"		7/8"		1"		1-1/8"	
	Price / ea.	Part #	Price / ea.	Part #	Price / ea.	Part #	Price / ea.	Part #
4	STOCKED	SE-G-3/4X4	STOCKED	SE-G-7/8X4	-	-	-	-
5	STOCKED	SE-G-3/4X5	STOCKED	SE-G-7/8X5	STOCKED	SE-G-1X5	STOCKED	SE-G-1-1/8X5
6	STOCKED	SE-G-3/4X6	STOCKED	SE-G-7/8X6	STOCKED	SE-G-1X6	STOCKED	SE-G-1-1/8X6
7	STOCKED	SE-G-3/4X7	STOCKED	SE-G-7/8X7	STOCKED	SE-G-1X7	STOCKED	SE-G-1-1/8X7
8	STOCKED	SE-G-3/4X8	STOCKED	SE-G-7/8X8	STOCKED	SE-G-1X8	STOCKED	SE-G-1-1/8X8
9	STOCKED	SE-G-3/4X9	STOCKED	SE-G-7/8X9	STOCKED	SE-G-1X9	STOCKED	SE-G-1-1/8X9
10	STOCKED	SE-G-3/4X10	STOCKED	SE-G-7/8X10	STOCKED	SE-G-1X10	STOCKED	SE-G-1-1/8X10
11	STOCKED	SE-G-3/4X11	STOCKED	SE-G-7/8X11	STOCKED	SE-G-1X11	STOCKED	SE-G-1-1/8X11
12	STOCKED	SE-G-3/4X12	STOCKED	SE-G-7/8X12	STOCKED	SE-G-1X12	STOCKED	SE-G-1-1/8X12
15	STOCKED	SE-G-3/4X15	STOCKED	SE-G-7/8X15	STOCKED	SE-G-1X15	STOCKED	SE-G-1-1/8X15
20	STOCKED	SE-G-3/4X20	STOCKED	SE-G-7/8X20	STOCKED	SE-G-1X20	STOCKED	SE-G-1-1/8X20
Std. eye size (in)	6 x 12		7 x 14		8 x 16		9 x 18	
WLL (t)	5.6		7.6		9.8		12	
Wt. / ft (lb)	1.04		1.42		1.85		2.34	

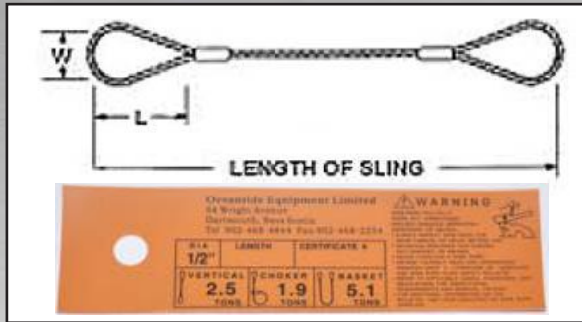
\*All wire rope slings made with EIPS, IWRC Galvanized Wire rope with A1 steel ferrule and Flemish roll splice complete with tag showing size, length, WLL and manufacture. Rated in Imperial Ton(s) (2000 lb)

Slings



**Sling - Wire Rope, Galvanized**

Diameter of Wire Rope vs. Standard length for Pricing  
(5:1 by design API spec. 9a table 3.7)



**\* Galvanized \***

Length (ft)	1-1/4"		1-1/2"		1-3/4"	2"	2-1/4"	2-1/2"
	Price / ea.	Part #	Price / ea.	Part #				
6	STOCKED	SE-G-1-1/4X6	STOCKED	SE-G-1-1/2X6	Pricing on Request	Pricing on Request	Pricing on Request	Pricing on Request
7	STOCKED	SE-G-1-1/4X7	STOCKED	SE-G-1-1/2X7				
8	STOCKED	SE-G-1-1/4X8	STOCKED	SE-G-1-1/2X8				
9	STOCKED	SE-G-1-1/4X9	STOCKED	SE-G-1-1/2X9				
10	STOCKED	SE-G-1-1/4X10	STOCKED	SE-G-1-1/2X10				
11	STOCKED	SE-G-1-1/4X11	STOCKED	SE-G-1-1/2X11				
12	STOCKED	SE-G-1-1/4X12	STOCKED	SE-G-1-1/2X12				
15	STOCKED	SE-G-1-1/4X15	STOCKED	SE-G-1-1/2X15				
20	STOCKED	SE-G-1-1/4X20	STOCKED	SE-G-1-1/2X20				
Std. eye size (in)	10 x 20		12 x 24					
WLL (t)	15		21		28	37	44	54
Wt. / ft (lb)	2.89		4.16		5.67	7.39	9.36	11.6

\*All wire rope slings made with EIPS, IWRC Galvanized Wire rope with A1 steel ferrule and Flemish roll splice complete with tag showing size, length, WLL and manufacture. Rated in Imperial Ton(s) (2000 lb)

**Slings**



## Sling - Web, Polyester

### Sling Considerations:

Polyester web slings offer several features which promote their popularity among riggers. They are often used when highly polished, fragile or delicate loads must be lifted. The softness of the web will lessen marring, or scratch loads, while its flexibility assures a firm grip around the item being lifted. The light weight of the material, combined with flexibility allows the slings to be quickly & safely handled by riggers.

- Web slings are lightweight, flexible and easy to handle and rig.
- Web slings are less damaging on contacting load surfaces than metal slings.
- Web slings may provide a wider surface for load distribution.

### Identification / Marking:

1. Three basic WLL hitches: (Vertical, Choker, Vertical Basket).
2. Length: Bearing point to bearing point.
3. Type of fiber. (Polyester)
4. Name or trademark of manufacturer.
5. Manufacturer's code or stock number.

### Additional Identification:

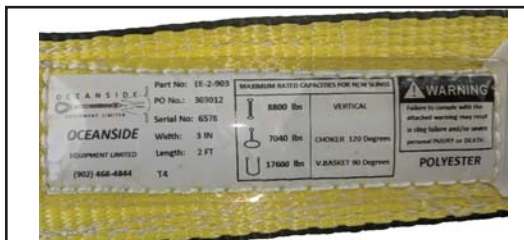
6. Includes warning labels for use and inspection with each new web sling.
7. Blue fiber I.D. marker.

### Identification Included (but not Required):

8. Unique Serial No.

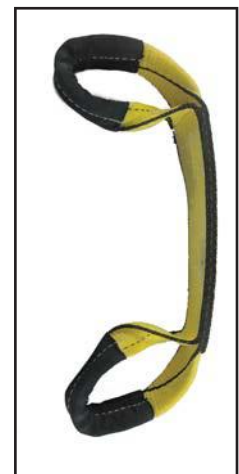
### Coatings & Protection:

1. Abrasion resistance.
2. Sealing to prevent penetration of foreign particles and matter.
3. Increased coefficient of friction.
4. Ultraviolet light resistance.
5. Cordura cover
6. Black edge treated
7. Clear PVC covering identification.



### Manufacturing Information:

- A synthetic web sling is fabricated by sewing woven synthetic webbing of nylon or polyester type yarns into basic sling types with or without fittings.
  - Type 3 - Web slings are made with a flat loop eye on each end with the loop eye opening in the same plane as the sling body. This type of sling is sometimes called a flat eye sling, eye and eye sling or double eye sling.
  - Type 4 - Web sling made with both loop eyes formed as in Type 3, except that the loop eyes are turned at a right angle to the plane of the sling body. This type of sling is commonly referred to as a twisted eye sling. The eye is formed by turning the fabric 180° before sewing to form an eye 90° to the sling body. This allows for easier chocking.
  - Web Slings are manufactured in compliance with WSTDA-WS-1 and exceed ASME B30.9 requirements.
    - Webbing used is in compliance with WSTDA-WB-1
- Reference: WSTDA-WB-1:2010



### Design/Safety Factor: 5:1

- The sling design factor is based on destructive, laboratory controlled testing conditions, which will not be exactly duplicated during actual load conditions. Never load any sling in excess of its rated WLL.

### Recommended Operating Practice:

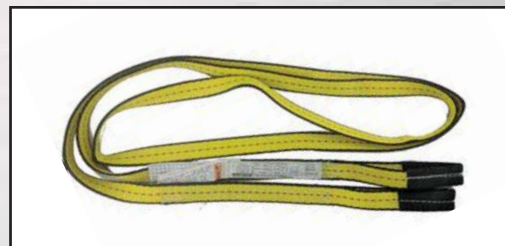
- See: WSTDA-WS-2, available on request.
- Web Slings that are used outdoors regularly should generally be permanently removed from service within a period of 2 to 4 years.



## Sling - Web, Polyester

Length (ft)	1", 1-ply type 3		1", 2-ply type 4		2", 2-ply type 4	
	Price / ea.	Part #	Price / ea.	Part #	Price / ea.	Part #
2	STOCKED	8-901x2	STOCKED	8-901X2-2P	STOCKED	8-902x2
4	STOCKED	8-901x4	STOCKED	8-901X4-2P	STOCKED	8-902x4
6	STOCKED	8-901x6	STOCKED	8-901X6-2P	STOCKED	8-902x6
8	STOCKED	8-901x8	STOCKED	8-901X8-2P	STOCKED	8-902x8
10	STOCKED	8-901x10	STOCKED	8-901X10-2P	STOCKED	8-902x10
12	STOCKED	8-901x12	STOCKED	8-901X12-2P	STOCKED	8-902x12
15					STOCKED	8-902x15
16					STOCKED	8-902x16
18					STOCKED	8-902x18
20					STOCKED	8-902x20
Eye size	10"		10"		10"	
Vertical	1600 lb		3100 lb		6200 lb	
Basket	3200 lb		6200 lb		12 400 lb	
Choker	1280 lb		2480 lb		4960 lb	

Length (ft)	3", 2-ply type 4		4", 2-ply type 4		6", 2-ply type 4	
	Price / ea.	Part #	Price / ea.	Part #	Price / ea.	Part #
2	STOCKED	8-903x2				
4	STOCKED	8-903x4	STOCKED	8-904x4		
6	STOCKED	8-903x6	STOCKED	8-904x6		
8	STOCKED	8-903x8	STOCKED	8-904x8		
10	STOCKED	8-903x10	STOCKED	8-904x10	STOCKED	8-906x10
12	STOCKED	8-903x12	STOCKED	8-904x12		
15	STOCKED	8-903x15	STOCKED	8-904x15	STOCKED	8-906x15
16	STOCKED	8-903x16	STOCKED	8-904x16		
18	STOCKED	8-903x18	STOCKED	8-904x18		
20	STOCKED	8-903x20	STOCKED	8-904x20	STOCKED	8-906x20
25	STOCKED	8-903x25	STOCKED	8-904x25	STOCKED	8-906x25
30			STOCKED	8-904x30	STOCKED	8-906x30
Eye size	12"		12"		18"	
Vertical	8800 lb		11 000 lb		16 500 lb	
Basket	17 600 lb		22 000 lb		33 000 lb	
Choker	7040 lb		8800 lb		13 200 lb	



**WARNING**

NEVER EXCEED PUBLISHED WORKING LOAD LIMIT



## Sling - Webbing Material, Polyester

- 9800 lb Polyester Webbing.
- Yellow with black edge & blue stripe in the middle.

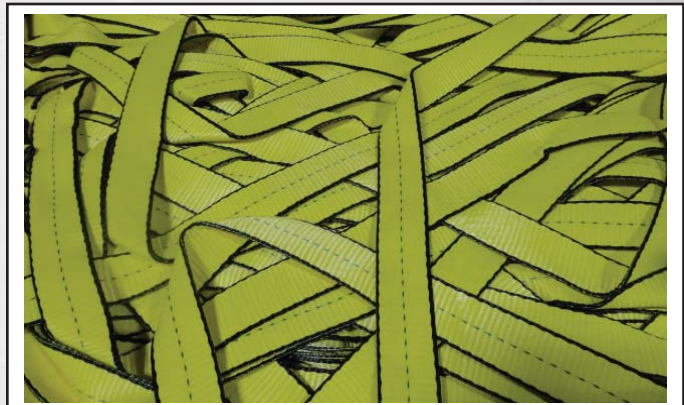


### Pallet:

Size (in)	Pallet Packaging (44"x44"x40")	Price / ft.	Part Number
	Qty (ft)		
1	26 250	STOCKED	190-1"POLYESTERWEB
2	13 125	STOCKED	190-2"POLYESTERWEB
3	9840	STOCKED	190-3"POLYESTERWEB
4	7710	STOCKED	190-4"POLYESTERWEB
6	5515	STOCKED	190-6"POLYESTERWEB
8	3545	STOCKED	190-8"POLYESTERWEB
10	2955	STOCKED	190-10"POLYESTERWEB
12	2625	STOCKED	190-12"POLYESTERWEB

### Carton:

Size (in)	Carton Packaging	Price / ft.	Part Number
	Qty (ft)		
1	328.08	STOCKED	190-1"X328'POLYESTERWEB
2	328.08	STOCKED	190-2"X328'POLYESTERWEB
3	328.08	STOCKED	190-3"X328'POLYESTERWEB
4	328.08	STOCKED	190-4"X328'POLYESTERWEB
6	328.08	STOCKED	190-6"X328'POLYESTERWEB
8	328.08	STOCKED	190-8"X328'POLYESTERWEB
10	328.08	STOCKED	190-10"X328'POLYESTERWEB
12	328.08	STOCKED	190-12"X328'POLYESTERWEB







## Sling - Round, Polyester

### Slings Considerations:

Polyester round slings offer several notable characteristics including the following:

- Lightweight, flexible, and easy to handle and rig.
- Polyester roundsling elongation at rated capacity is approximately 3%, which is less than comparable nylon and polyester webbing slings.
- Wear points can be easily rotated to extend sling life.
- Polyester roundslings are easy to inspect.
- Polyester roundslings are less damaging on contacting load surfaces than metal type slings
- The exterior cover, aid in protecting the load bearing core yarn.

### Identification / Marking:

1. Three basic WLL hitches: (Vertical, Choker, Vertical Basket).
2. Length: Bearing point to bearing point.
3. Core type: Polyester fiber.
4. Name or trademark of manufacturer.
5. Manufacturer's code or stock number.

### Additional Identification:

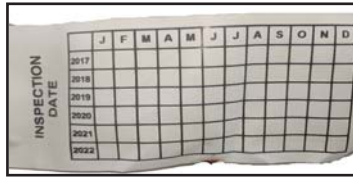
6. Color coded, corresponding with WLL.
7. Includes warning labels for use and inspection with each new web sling.

### Identification Included (but not Required):




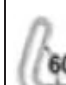

8. Unique Serial No.

### Coatings & Protection:

1. Abrasion resistance.
2. Sealing to prevent penetration of foreign particles and matter.
3. Increased coefficient of friction.
4. Ultraviolet light resistance.
5. Heavy duty polyester cover
6. Clear PVC covering identification.



• Most slings are bagged individually.

Polyester Round Slings Working Load Limits									
Code	Color	Vertical WLL in (T)						Approx. Dia (in)	Approx. Wt./ft (lb)
			Vertical	Choker	90° Basket	60° Basket	45° Basket		
			(lb)						
OC-60	Green	3	6000	4800	12 000	10 300	8400	0.90	0.40
OC-90	Yellow	4.5	9000	7200	18 000	15 500	12 600	1.00	0.50
OC-140	Red	7	14 000	11 200	28 000	24 100	19 600	1.30	0.85
OC-230	Blue	11.5	23 000	18 400	46 000	39 500	32 200	1.65	1.25
OC-320	Grey	16	32 000	25 600	64 000	55 000	44 800	2.15	1.75
OC-400	Orange	20	40 000	32 000	80 000	68 800	56 000	2.45	2.25
OC-540	Brown	27	54 000	43 200	108 000	92 900	75 600	3.00	2.75
OC-680	Olive Green	34	68 000	54 400	136 000	117 000	95 200	3.25	3.60
OC-900	Black	45	90 000	72 000	180 000	155 000	126 000	3.75	4.10
OC-1000	Black	50	100 000	80 000	200 000	173 000	140 000	4.25	4.75

### Manufacturing Information:

- The polyester core(s) is formed from one or more ends of continuous filament yarn, wound together in a plurality of turns. This yarn is continuous filament. The core(s) is uniformly wound to ensure even distribution of the load.
- The cover(s) is commonly the same fiber (polyester) type as the load bearing core(s) (polyester).
- Round Slings are manufactured in compliance with WSTDA-RS-1 and exceed ASME B30.9 requirements.

### Design/Safety Factor: 5:1

The sling design factor is based on destructive, laboratory controlled testing conditions, which will not be exactly duplicated during actual load conditions. Never load any sling in excess of its rated WLL. Rated in Imperial Ton(s) (2000 lb)

### Recommended Operating Practice:

See: WSTDA-RS-1, Ch 4.0, available on request. Reference: WSTDA-RS-1:2010



Slings



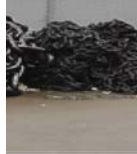


## Sling - Round, Polyester

Length (ft)	OC-60		OC-90		OC-140		OC-230		OC-320	
	Price / ea.	Part #	Price / ea.	Part #	Price / ea.	Part #	Price / ea.	Part #	Price / ea.	Part #
4	STOCKED	6-OC60X4	STOCKED	6-OC90X4	STOCKED	6-OC140X4				
6	STOCKED	6-OC60X6	STOCKED	6-OC90X6	STOCKED	6-OC140X6				
8	STOCKED	6-OC60X8	STOCKED	6-OC90X8	STOCKED	6-OC140X8	STOCKED	6-OC230X8	STOCKED	6-OC320X8
10	STOCKED	6-OC60X10	STOCKED	6-OC90X10	STOCKED	6-OC140X10	STOCKED	6-OC230X10	STOCKED	6-OC320X10
12	STOCKED	6-OC60X12	STOCKED	6-OC90X12	STOCKED	6-OC140X12	STOCKED	6-OC230X12	STOCKED	6-OC320X12
14	STOCKED	6-OC60X14	STOCKED	6-OC90X14	STOCKED	6-OC140X14	STOCKED	6-OC230X14	STOCKED	6-OC320X14
16	STOCKED	6-OC60X16	STOCKED	6-OC90X16	STOCKED	6-OC140X16	STOCKED	6-OC230X16	STOCKED	6-OC320X16
20	STOCKED	6-OC60X20	STOCKED	6-OC90X20	STOCKED	6-OC140X20	STOCKED	6-OC230X20	STOCKED	6-OC320X20
25					STOCKED	6-OC140X25	STOCKED	6-OC230X25	STOCKED	6-OC320X25
30					STOCKED	6-OC140X30	STOCKED	6-OC230X30	STOCKED	6-OC320X30

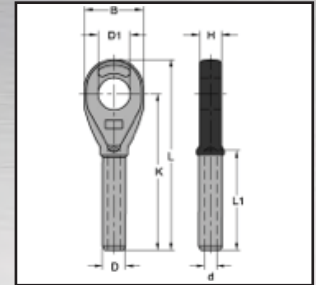
Length (ft)	OC-400		OC-540		OC-680		OC-900		OC-1000	
	Price / ea.	Part #	Price / ea.	Part #	Price / ea.	Part #	Price / ea.	Part #	Price / ea.	Part #
10	STOCKED	6-OC400X10	STOCKED	6-OC540X10	STOCKED	6-OC680X10	STOCKED	6-OC900X10		
12	STOCKED	6-OC400X12	STOCKED	6-OC540X12	STOCKED	6-OC680X12	STOCKED	6-OC900X12		
16	STOCKED	6-OC400X16	STOCKED	6-OC540X16	STOCKED	6-OC680X16	STOCKED	6-OC900X16		
20	STOCKED	6-OC400X20	STOCKED	6-OC540X20	STOCKED	6-OC680X20	STOCKED	6-OC900X20	STOCKED	6-OC1000X20
25	STOCKED	6-OC400X25	STOCKED	6-OC540X25	STOCKED	6-OC680X25	STOCKED	6-OC900X25	STOCKED	6-OC1000X25
30	STOCKED	6-OC400X30	STOCKED	6-OC540X30	STOCKED	6-OC680X30	STOCKED	6-OC900X30		
40	STOCKED	6-OC400X40	STOCKED	6-OC540X40	STOCKED	6-OC680X40	STOCKED	6-OC900X40		

Slings



### Socket - Swage, Closed, Forged, Yoke®

- Yoke swage sockets properly applied have an efficiency rating of 100% based on catalog strength of wire rope.
- Yoke swage sockets are recommended for use with 6x19, 6x37, IWRC wire rope, and galvanized bridge rope.
- Yoke swage sockets are not recommended for use on fiber core or lang lay wire rope.

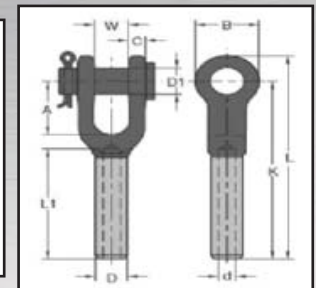


Rope (in)	Before Swage Dimensions (in)								Max. after Swage (in)	Wt./ea. (lb)	Price / ea.	Part Number
	B	D	D1	d	H	K	L	L1				
1/4	1.38	0.50	0.75	0.27	0.50	3.50	4.33	2.13	0.46	0.3	STOCKED	28-1/4CSS
5/16	1.63	0.77	0.89	0.34	0.67	4.50	5.50	3.15	0.71	0.8	STOCKED	28-5/16CSS
3/8	1.63	0.77	0.89	0.41	0.67	4.50	5.50	3.15	0.71	0.7	STOCKED	28-3/8CSS
1/2	2.00	0.98	1.06	0.55	0.89	5.75	6.93	4.25	0.91	1.4	STOCKED	28-1/2CSS
5/8	2.40	1.25	1.26	0.67	1.14	7.28	8.70	5.31	1.16	2.9	STOCKED	28-5/8CSS
3/4	2.87	1.55	1.44	0.80	1.31	8.54	10.20	6.38	1.42	5.0	STOCKED	28-3/4CSS
7/8	3.11	1.70	1.70	0.94	1.50	10.16	11.97	7.44	1.55	6.8	STOCKED	28-7/8CSS
1	3.62	1.98	2.05	1.06	1.77	11.54	13.46	8.50	1.80	10.4	STOCKED	28-1CSS
1-1/8	4.02	2.25	2.32	1.19	2.00	12.72	15.04	9.57	2.05	14.8	STOCKED	28-1-1/8CSS
1-1/4	4.50	2.53	2.56	1.33	2.25	14.33	16.97	10.63	2.30	21.6	STOCKED	28-1-1/4CSS
1-3/8	5.00	2.80	2.56	1.45	2.25	15.83	18.70	11.69	2.56	28.4	STOCKED	28-1-3/8CSS
1-1/2	5.50	3.08	2.81	1.58	2.52	17.01	20.12	12.75	2.81	38.1	STOCKED	28-1-1/2CSS

All slings swaged with sockets shall be proof loaded in accordance with ASME B30.9

### Socket - Swage, Open, Forged, Yoke®

- Yoke swage sockets properly applied have an efficiency rating of 100% based on catalog strength of wire rope.
- Yoke swage sockets are recommended for use with 6x19, 6x37, IWRC wire rope, and galvanized bridge rope.
- Yoke swage sockets are not recommended for use on fiber core or lang lay wire rope.



Rope (in)	Before Swage Dimensions (in)										Max. after Swage (in)	Wt./ea. (lb)	Price / ea.	Part Number
	A	B	C	D	D1	d	K	L	L1	W				
1/4	1.50	1.38	0.35	0.50	0.69	0.27	4.02	4.80	2.17	0.67	0.46	0.5	STOCKED	28-1/4OSS
5/16	1.77	1.65	0.47	0.77	0.81	0.34	5.31	6.26	3.15	0.79	0.71	1.1	STOCKED	28-5/16OSS
3/8	1.77	1.65	0.47	0.77	0.81	0.41	5.31	6.26	3.15	0.79	0.71	1.3	STOCKED	28-3/8OSS
1/2	1.96	2.00	0.55	0.98	1.00	0.55	6.85	7.83	4.33	1.00	0.91	2.1	STOCKED	28-1/2OSS
9/16	2.25	2.36	0.68	1.25	1.19	0.61	8.27	9.45	5.31	1.22	1.16	4.7	STOCKED	28-9/16OSS
5/8	2.25	2.36	0.68	1.25	1.19	0.67	8.27	9.45	5.31	1.22	1.16	4.5	STOCKED	28-5/8OSS
3/4	2.75	2.75	0.79	1.55	1.38	0.80	10.07	11.61	6.34	1.50	1.42	8.0	STOCKED	28-3/4OSS
7/8	3.23	3.15	0.94	1.70	1.63	0.94	11.81	13.39	7.44	1.77	1.55	11.5	STOCKED	28-7/8OSS
1	3.86	3.94	1.02	1.98	2.00	1.06	13.58	15.55	8.50	2.00	1.80	17.8	STOCKED	28-1OSS
1-1/8	4.26	4.06	1.19	2.25	2.20	1.19	15.08	17.40	9.37	2.25	2.05	25.3	STOCKED	28-1-1/8OSS
1-1/4	4.72	4.45	1.34	2.53	2.48	1.33	16.50	19.06	10.59	2.48	2.30	35.6	STOCKED	28-1-1/4OSS
1-3/8	5.20	5.00	1.38	2.80	2.50	1.45	18.23	21.02	11.69	2.52	2.56	45.9	STOCKED	28-1-3/8OSS
1-1/2	5.75	5.51	1.69	3.08	2.75	1.58	19.75	22.88	12.40	3.00	2.81	58.5	STOCKED	28-1-1/2OSS

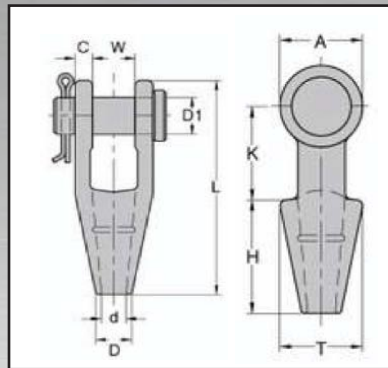
All slings swaged with sockets shall be proof loaded in accordance with ASME B30.9



**YOKE**<sup>®</sup>  
Safety is our First Priority

- Spelter sockets are forged from special bar quality carbon steel with the very finest in hardness controls.
- Spelter sockets properly applied have an efficiency rating of 100% based on catalog strength of wire rope.
- Socket size range 1/4" through 3/4" using one groove, 7/8" through 1-1/2" uses 2 grooves. Yoke Open Spelter Sockets meet the performance requirements on Federal Specification RR-S-550E, Type A.

**Socket - Spelter, Open, Forged, Yoke<sup>®</sup>**



Galvanized, with round pin

Wire Size (in)	Structural Strand Dia. (in)	Dimensions (in)											Price / ea.	Part Number
		L	W	D1	d	D	T	H	K	A	C	Wt./ ea.(lb)		
5/16 - 3/8	--	4.84	0.83	0.79	0.51	0.83	1.73	2.25	1.77	1.50	0.44	1.3	STOCKED	28-3/8OSP
7/16 - 1/2	--	5.62	1.00	0.98	0.56	0.98	1.96	2.48	2.13	1.91	0.50	2.3	STOCKED	28-1/2OSP
9/16 - 5/8	1/2	6.77	1.26	1.19	0.70	1.14	2.25	3.00	2.52	2.28	0.55	3.7	STOCKED	28-5/8OSP
3/4	9/16 - 5/8	7.96	1.50	1.38	0.81	1.26	2.64	3.62	3.00	2.64	0.62	5.8	STOCKED	28-3/4OSP
7/8	11/16 - 3/4	9.25	1.77	1.63	0.94	1.50	3.35	4.02	3.50	3.17	0.80	10.4	STOCKED	28-7/8OSP
1	13/16 - 7/8	10.55	2.05	2.00	1.14	1.75	3.75	4.48	4.02	3.78	0.91	16.3	STOCKED	28-1OSP
1-1/8	15/16 - 1	11.81	2.25	2.25	1.26	2.00	4.12	5.00	4.62	4.12	1.00	22.0	STOCKED	28-1-1/8OSP
1 1/4 - 1 3/8	1 1/16 - 1 1/8	13.20	2.52	2.50	1.50	2.25	4.72	5.51	5.00	4.75	1.14	32.8	STOCKED	28-1-1/4OSP
1-1/2	1 3/16 - 1 1/4	15.12	3.00	2.75	1.63	2.75	5.25	6.00	6.00	5.38	1.19	45.9	STOCKED	28-1-1/2OSP

Wire Rope End Terminations

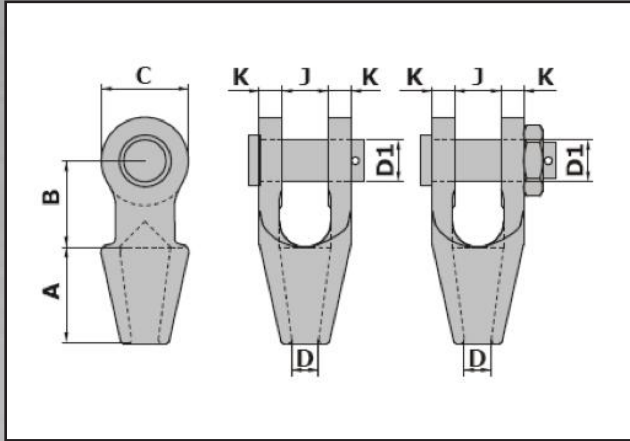
**WARNING** IN ACCORDANCE WITH ASME B30.9 ALL ASSEMBLY SLINGS WITH Poured SPelter SOCKETS, SHALL BE PROOF LOADED!



**Socket - Spelter, Open, GN®**

Made in Holland

Cast material, 5:1 safety, 3.1B certificates and material certificate, painted finish, c/w cotter pin. Rated in Metric Ton(s) Tolerance ± 5%



**Galvanized Finish**

Wire Size (in)	MBL (t)	Dimensions (mm)							Wt./ea. (kg)	Price / ea.	Part Number
		A	B	C	D	D1	J	K			
1 1/2	150	152	162	160	41	70	76	30	24	STOCKED	116-1-1/2OSPG
1 5/8	200	165	165	176	44	76	76	33	27	STOCKED	116-1-5/8OSPG
1 3/4 - 1 7/8	260	190	178	200	51	89	89	39	38	STOCKED	116-1-7/8OSPG
2 - 2 1/8	280	216	228	216	57	95	101	46	59	STOCKED	116-2-1/8OSPG
2 1/4 - 2 3/8	360	228	250	236	63	108	113	53	87	STOCKED	116-2-3/8OSPG
2 1/2 - 2 5/8	450	248	273	264	73	121	127	60	130	STOCKED	116-2-5/8OSPG
2 3/4 - 2 7/8	480	279	279	276	79	127	133	73	157	Pricing on Request	116-2-7/8OSP
3 - 3 1/8	520	305	286	284	86	133	146	76	192		116-3-1/8OSP
3 1/4 - 3 3/8	600	330	298	296	92	140	159	79	243		116-3-3/8OSP
3 1/2 - 3 5/8	700	356	318	340	99	152	171	83	287		116-3-5/8OSP
3 3/4 - 4	875	381	343	362	108	178	191	89	370		116-4OSP
4 1/2	1100	460	480	440	125	190	208	101	447		116-4-1/2OSP
5	1250	500	500	560	138	250	210	120	750		116-5OSP
5 1/2 - 6	1400	580	500	600	160	275	230	140	880		116-6OSP
6 1/2	1600	675	600	650	175	290	310	175	1040	116-6-1/2OSP	

**Painted Finish**

Wire Size (in)	MBL (t)	Dimensions (mm)							Wt./ea. (kg)	Price / ea.	Part Number
		A	B	C	D	D1	J	K			
1 1/2	150	152	162	160	41	70	76	30	24	STOCKED	116-1-1/2OSP
1 5/8	200	165	165	176	44	76	76	33	27	STOCKED	116-1-5/8OSP
1 3/4 - 1 7/8	260	190	178	200	51	89	89	39	38	STOCKED	116-1-7/8OSP
2 - 2 1/8	280	216	228	216	57	95	101	46	59	STOCKED	116-2-1/8OSP
2 1/4 - 2 3/8	360	228	250	236	63	108	113	53	87	STOCKED	116-2-3/8OSP
2 1/2 - 2 5/8	450	248	273	264	73	121	127	60	130	STOCKED	116-2-5/8OSP

Limited quantities

**WARNING**

CAUTION: WHILE ATTACHING SPELTER SOCKETS TO WIRE ROPE IT IS EXTREMELY IMPORTANT TO FOLLOW RECOMMENDED PROCEDURES. WHENEVER POSSIBLE THE ASSEMBLY SHOULD BE PROOF LOADED. ALL SLINGS WITH POURED SOCKETS, IN ACCORDANCE WITH ASME B30.9, SHALL BE PROOF LOADED.



**WARNING**

NEVER EXCEED PUBLISHED WORKING LOAD LIMIT

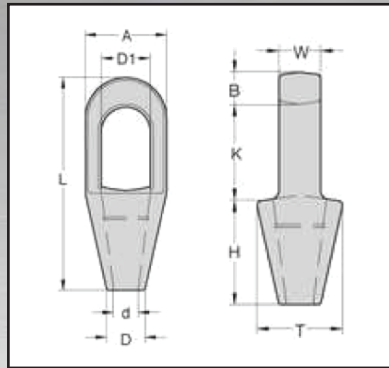
Wire Rope End Terminations



**YOKE**<sup>®</sup>  
Safety is our First Priority

- Spelter sockets are forged from special bar quality carbon steel with the very finest in hardness controls.
- Spelter sockets properly applied have an efficiency rating of 100% based on catalog strength of wire rope.
- Socket size range 1/4" through 3/4" using one groove, 7/8" trough 1-1/2" uses 2 grooves. Yoke Closed Spelter Sockets meet the performance requirements on Federal Specification RR-S-550E, Type A.

**Socket - Spelter, Closed, Forged, Yoke<sup>®</sup>**



**Galvanized**

Wire Size (in)	Structural Strand Dia. (in)	Dimensions (mm)											Price / ea.	Part Number
		L	B	A	D1	d	D	T	H	W	K	Wt./ ea.(lb)		
5/16 - 3/8	--	4.88	0.62	1.69	0.98	0.50	0.83	1.70	2.25	0.71	2.00	0.8	STOCKED	28-3/8CSP
7/16 - 1/2	--	5.43	0.71	2.00	1.19	0.55	0.98	1.96	2.52	0.87	2.25	1.5	STOCKED	28-1/2CSP
9/16 - 5/8	1/2	6.31	0.83	2.63	1.41	0.71	1.12	2.50	3.00	0.98	2.52	2.6	STOCKED	28-5/8CSP
3/4	9/16 - 5/8	7.58	1.06	3.00	1.61	0.81	1.26	2.75	3.50	1.26	3.00	4.3	STOCKED	28-3/4CSP
7/8	11/16 - 3/4	8.75	1.26	3.63	1.89	0.94	1.50	3.46	3.98	1.50	3.50	7.9	STOCKED	28-7/8CSP
1	13/16 - 7/8	9.88	1.38	4.13	2.28	1.14	1.77	3.78	4.50	1.77	4.02	10.5	STOCKED	28-1CSP
1 1/8	15/16 - 1	10.98	1.50	4.50	2.56	1.26	2.00	4.12	5.00	2.00	4.50	15.2	STOCKED	28-1-1/8CSP
1 1/4 - 1 3/8	1 1/16 - 1 1/8	12.31	1.63	5.31	2.80	1.50	2.25	4.75	5.50	2.25	5.00	22.7	STOCKED	28-1-1/4CSP
1 1/2	1 3/16 - 1 1/4	13.94	1.93	5.31	3.19	1.63	2.75	5.25	6.00	2.52	6.00	30.9	STOCKED	28-1-1/2CSP

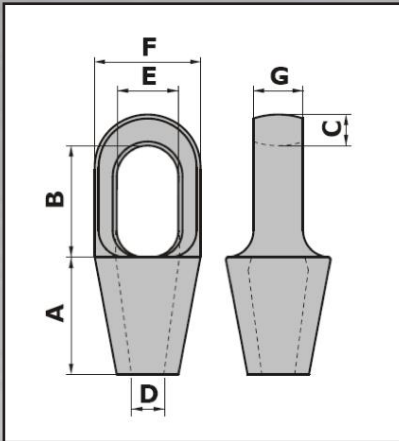
**Wire Rope End Terminations**

**WARNING** IN ACCORDANCE WITH ASME B30.9 ALL ASSEMBLY SLINGS WITH POURED SPELTER SOCKETS, SHALL BE PROOF LOADED!

**Socket - Spelter, Closed, GN®**

Made in Holland

Cast material, 5:1 safety, 3.1B certificates and material certificate, galvanized or painted finish. Rated in Metric Ton(s)



Tolerance + 5%

**Galvanized Finish**

Wire Size (in)	MBL (t)	Dimensions (mm)							Wt./ea. (kg)	Price / ea.	Part Number
		A	B	C	D	E	F	G			
1 1/2	150	152	155	51	41	79	136	63	13	STOCKED	116-1-1/2CSP
1 5/8	200	165	171	54	44	82	146	70	17	STOCKED	116-1-5/8CSP
1 3/4 - 1 7/8	260	190	198	55	51	89	171	76	24	STOCKED	116-1-7/8CSPG
2 - 2 1/8	280	216	224	62	57	96	193	82	37	STOCKED	116-2-1/8CSP
2 1/4 - 2 3/8	360	228	247	73	63	108	216	92	56	STOCKED	116-2-3/8CSP
2 1/2 - 2 5/8	450	248	270	76	73	140	241	102	65	STOCKED	116-2-5/8CSP
2 3/4 - 2 7/8	480	279	286	79	79	159	273	124	93	Pricing on Request	116-2-7/8CSP
3 - 3 1/8	520	305	298	83	86	171	292	133	110		116-3-1/8CSP
3 1/4 - 3 3/8	600	330	311	102	92	184	311	146	142		116-3-3/8CSP
3 1/2 - 3 5/8	700	356	330	102	99	197	330	159	170		116-3-5/8CSP
3 3/4 - 4	875	381	356	108	108	216	362	178	225		116-4CSP
4 1/2	1100	450	425	120	125	235	405	190	340		116-4-1/2CSP
5	1250	500	475	120	138	260	515	205	555		116-5CSP
5 1/2 - 6	1400	580	550	150	160	300	550	225	850		116-6CSP
6 1/2	1600	675	600	175	175	325	600	300	1050		116-6-1/2CSP

**Painted Finish**

Wire Size (in)	MBL (t)	Dimensions (mm)							Wt./ea. (kg)	Price / ea.	Part Number
		A	B	C	D	E	F	G			
1 3/4 - 1 7/8	260	190	198	55	51	89	171	76	24	STOCKED	116-1-7/8CSP

Limited quantities

Wire Rope End Terminations

**WARNING**

CAUTION: WHILE ATTACHING SPELTER SOCKETS TO WIRE ROPE IT IS EXTREMELY IMPORTANT TO FOLLOW RECOMMENDED PROCEDURES. WHENEVER POSSIBLE THE ASSEMBLY SHOULD BE PROOF LOADED. ALL SLINGS WITH POURED SOCKETS, IN ACCORDANCE WITH ASME B30.9, SHALL BE PROOF LOADED.



**WARNING**

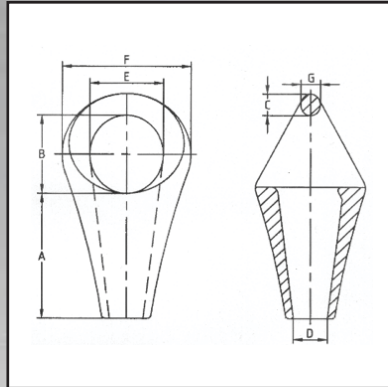
NEVER EXCEED PUBLISHED WORKING LOAD LIMIT





## Socket - Spelter, CR, Closed (peewee, gold nose), GN®

Made in Holland



Cast material, 5:1 safety, proof load, 3.1B certificates, on request – MPI.

CR sockets are the best possible connection between chain and a wire rope anchoring system.

These sockets have a non rotating system that prevents the tamp from turning or slipping out of the cone increasing the performance of the connection. Rated in Metric Ton(s)

Wire Size (in)	WLL (t)	Dimensions (mm)							Wt./ea. (kg)	Price / ea.	Part Number
		A	B	C	D	E	F	G			
1 1/4 – 1 3/8	28	140	85	38	39	75	124	35	Pricing on Request	116-CR28	
1 1/2 – 1 5/8	32	160	110	42	44	92	130	38		116-CR32	
1 3/4 – 1 7/8	40	188	128	50	51	110	180	45		116-CR40	
2 – 2 1/8	50	215	125	55	57	115	200	50		116-CR50	
2 1/4 – 2 3/8	60	230	145	65	63	135	230	57		116-CR60	
2 1/2 – 2 5/8	80	250	160	75	73	160	265	65		116-CR80	
2 3/4 – 2 7/8	100	280	175	80	79	170	278	70	116-CR100		
3 – 3 1/8	120	315	210	85	86	184	300	75	STOCKED	116-CR120	
3 1/4 – 3 3/8	140	340	205	100	92	204	320	90	Pricing on Request	116-CR140	
3 1/2 – 3 5/8	160	360	220	105	99	215	340	95		116-CR160	
3 3/4 – 4	180	380	240	110	108	234	376	100		116-CR180	
4 1/4 – 4 1/2	200	450	260	125	120	252	400	110		116-CR200	

Wire Rope End Terminations



**WARNING**

CAUTION: WHILE ATTACHING SPELTER SOCKETS TO WIRE ROPE IT IS EXTREMELY IMPORTANT TO FOLLOW RECOMMENDED PROCEDURES. WHENEVER POSSIBLE THE ASSEMBLY SHOULD BE PROOF LOADED. ALL SLINGS WITH Poured SOCKETS, IN ACCORDANCE WITH ASME B30.9, SHALL BE PROOF LOADED.



**WARNING**

NEVER EXCEED PUBLISHED WORKING LOAD LIMIT



**Key Features:**

- Longer shelf life of 18 months
- MSDS sheets for hassle free shipping to your customers
- Newly formulated after extensive testing for better wire rope grip
- Packaged in environmentally protected pouches and rust-free plastic pails to ensure product freshness
- Disposable pouring funnel included in each kit helps eliminate spills
- Bright green resin and white hardener makes mixing easy to verify
- Packaged in CCs and individually sized kits to minimize waste and aid in easy mixing
- Non-dusting, safe to use formula contains no dry powders that become airborne health hazards



**Socket Lock - Resin**

FULL CASE QUANTITIES ONLY!



Size	Kits per Case	Booster Kits (sold individually)		Socket Lock	
		Price / ea.	Part Number	Price / ea.	Part Number
250 cc	12	STOCKED	38-10840250	STOCKED	38-10900010
500 cc	12	STOCKED	38-10840500	STOCKED	38-10900020
1000 cc	6	STOCKED	38-10841000	STOCKED	38-10900030

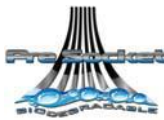
\*\* See Warnings and Safety Information Page 224 \*\*

**MADE IN USA**



**MADE IN USA**

Wire Rope End Terminations



**MADE IN USA**



- Easy to use
- Does not irritate skin
- No objectionable or toxic fumes
- Fresh pine scent
- Non-Corrosive
- Will not harm metal surfaces
- Will not scratch metal surfaces
- MSDS available on request



ENVIRONMENTALLY FRIENDLY  
Biodegradable - Non-Toxic / Non-Hazardous  
Chlorine Free - Free of Petroleum Distillates  
Does Not Effect the Ozone

**Wire Rope Broom Degreaser**



Size	Price / ea.	Part Number
5 gallon pail	STOCKED	38-93220005

**Socketing Putty**



Item	Size	Price / ea.	Part Number
Socketing Putty	1 lb pack (10 packs per case)	STOCKED	38-91910100

Wire Rope End Terminations

**WARNING** **INCOMPATIBILITIES:** PRE SOCKET IS NOT RECOMMENDED FOR USE ON LATEX, BUNA N, NEOPRENE, POLYSTYRENE, AND SOME PLASTICS  
**WARNING:** BIODEGRADABLE PRE SOCKET SOAKED RAGS MAY SPONTANEOUSLY COMBUST IN WASTE CONTAINERS. WET PRE SOCKET RAGS WITH WATER TO PREVENT THE RISK OF SPONTANEOUS COMBUSTION.  
**REFER TO MSDS PRIOR TO USE:** FOR CHEMICAL EMERGENCY, SPILL, LEAK, FIRE, EXPOSURE OR ACCIDENT. CALL CHEMTREC DAY AND NIGHT.  
DOMESTIC NORTH AMERICA: 800-424-9300 / INTERNATIONAL: 703-527-3887





# RESIN SOCKETING WARNING AND SAFETY INFORMATION



Ambient Temperature*		Booster Packs Required	Approximate Gel Time (Working Time)*	Approximate Cure Time (Ready For Service)
F	C	Packs	Minutes	Hours
110	43	None	3-4	1
105	41	None	3-4	1
100	38	None	4-5	1
95	35	None	5-6	1
90	32	None	6-8	1
85	29	None	8-10	1
80	27	None	11-13	1
75	24	None	13-16	1
70	21	None	16-20	1
65	18	None	20-25	1
60	16	None	23-28	1
55	13	1	17-23	1
50	10	1	24-30	1
45	7	1	30-36	2
40	4	1	50-60	2.5
35	2	1	70-85	4.5
30	-1	1	100-120	6.5

**\*NOTE:**  
- Times are approximate. The temperature of the resin, socket and wire rope can affect these times. The times above are based on the temperature of the resin at the time of mixing.  
- Thorough mixing is required to achieve approximate times listed in the table to the right.  
- Approximate time to gel begins once resin has been mixed.  
- Approximate time to cure begins once resin has gelled.

## Resin Socketing Warning and Safety Information



- Inspect inside of socket bowl to determine if socket has grooves. If grooves are present, fill grooves with socketing putty.
- If using wire for seizing, only use soft annealed iron wire.
- Socket Lock resin must be gelled and cured before assembly can be used.
- Socket Lock is not to be used with stainless steel rope in a salt water environment.
- Never use oversized sockets for wire rope unless you consult the socket and wire rope manufacturer.
- Never use Socket Lock beyond the expiration date.
- Never heat socket prior to pouring resin in an effort to accelerate the curing of the resin as it may cause the resin to prematurely gel prior to reaching the bottom of the socket bowl. Doing this could cause the assembly to fail.
- Caution: Exposure to some strong chemicals may affect the cured polymer (hardened resin mixture) in a way that could weaken the assembly. Please contact the manufacturer if this has occurred.

Socket Size		CCs
inches	mm	
1/4"	6-7	9
5/16" - 3/8"	8-10	17
7/16" - 1/2"	11 - 13	35
9/16" - 5/8"	14 - 16	52
3/4"	19	86
7/8"	22	131
1"	26	164
1 1/8"	29	210
1 1/4" - 1 3/8"	32 - 35	361
1 1/2"	37	426
1 5/8"	42	495
1 3/4" - 1 7/8"	43 - 48	737
2" - 2 1/8"	51 - 54	1,265
2 1/4" - 2 3/8"	55 - 60	1,475
2 1/2" - 2 5/8"	61 - 68	1,966
2 3/4" - 2 7/8"	69 - 75	2,294
3" - 3 1/8"	76 - 80	3,277
3 1/4" - 3 3/8"	81 - 87	3,933
3 1/2" - 3 5/8"	88 - 93	4,920
3 3/4" - 4"	94 - 103	7,784

Note: Socket volumes are approximate and may vary according to manufacturer.



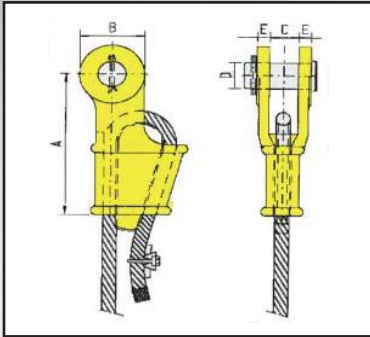
- When handling the resin or hardener, goggles and protective clothing are recommended. Impervious gloves are recommended.
- Always work in a ventilated area.
- Avoid skin or eye contact. Wash skin with soap and water and remove contaminated clothing. If contact with eyes, flush with clean water for at least 15 minutes. If irritation persists, seek medical attention.
- Avoid ingestion. If ingestion occurs, DO NOT induce vomiting. Drink milk or water to dilute and call for medical attention.
- Avoid inhaling vapors. If excessive vapors are inhaled, move to a fresh air area. If breathing has stopped or is labored seek medical attention.
- Never aim an open flame at Socket Lock. Keep away from heat. Resin is a flammable liquid.
- Whenever using chemicals, always reference the MSDS sheet for safety and handling guidelines.

**VISIT [socket-locket.com](http://socket-locket.com) FOR FULL INFORMATION BROCHURE!**

**Wire Rope End Terminations**

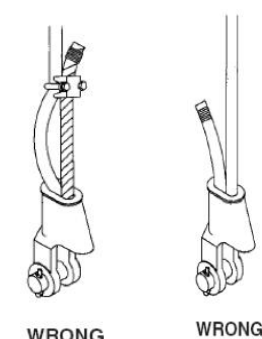
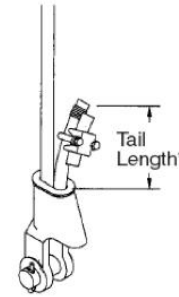


## Socket - Wedge, Open



Wire Size (in)	Dimensions (mm)					Wt./ea. (kg)	Price / ea.	Part Number
	A	B	C	D	E			
3/8	122	40	20	21	11	2	STOCKED	116-9-10OWS
1/2	146	57	25	25	12	3	STOCKED	116-11-13OWS
5/8	176	57	31	30	15	4	STOCKED	116-14-16OWS
3/4	212	80	38	35	16	6	STOCKED	116-18-19OWS
7/8	240	81	44	41	19	9	STOCKED	116-20-22OWS
1	274	114	51	50	22	15	STOCKED	116-24-26OWS
1 1/8	310	130	57	57	25	20	STOCKED	116-28OWS
1 1/4	350	146	63	64	28	25	STOCKED	116-32OWS
1 3/8	400	148	69	64	28	38	Pricing on Request	116-35OWS
1 1/2	450	160	76	70	30	55		116-38OWS
1 5/8	500	174	76	76	33	66		116-41OWS
1 3/4 - 1 7/8	550	200	89	89	39	90		116-44OWS
2	650	200	101	95	46	142		116-51OWS
2 1/4	660	250	114	108	54	172		116-57OWS
2 1/2	840	270	127	121	60	271		116-64OWS
3	1000	300	146	133	76	437		116-76OWS

- Always inspect socket, wedge and pin before using.
- Do not use any part that is showing cracks, do not repair by welding.
- Do not modify or substitute any parts.
- Inspect assemblies before use.
- Do not mix and match wedges or pins between sizes.
- Always select the wedge and socket for the wire rope size.
- Use only with standard 6 to 8 strand wire rope of designated size, for intermediate size rope, use next larger size socket.
- Welding of tail on standard wire rope is not recommended, the tail length of the dead end should be a minimum of 6 rope diameters but not less than 6".
- Secure dead end section of rope. **DO NOT ATTACH DEAD END TO LIVE END.**
- Use a hammer to seat the wedge and rope as deep into socket as possible before applying first load.
- To use with rotation resistant wire rope, ensure that the dead end is welded or seized before inserting the wire rope into the wedge socket to prevent core slippage or loss of rope lay. The tail length of the dead end should be a minimum of 20 rope diameters but not less than 6".
- Efficiency rating of the wedge socket termination is based on the catalog breaking strength of wire rope. The efficiency of properly assembled wedge socket is 80%.



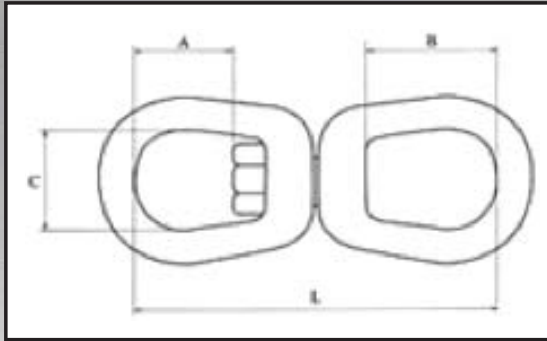
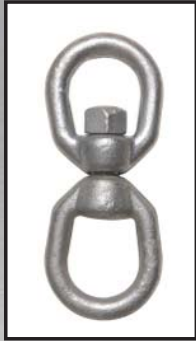
Wire Rope End Terminations

**WARNING**

- Loads may slip or fall if the Wedge Socket is not properly installed.
- A falling load can seriously injure or kill.
- Read and understand these instructions before installing the Wedge Socket.
- Do not side load the Wedge Socket.
- Do not interchange Wedge Socket, wedge or pin with other manufactures socket, wedge or pin.
- Apply first load to fully seat the wedge and wire rope in the socket. This load should be of equal or greater weight than loads expected in use.
- Do not interchange wedge between sizes.



## Swivel - Eye & Eye

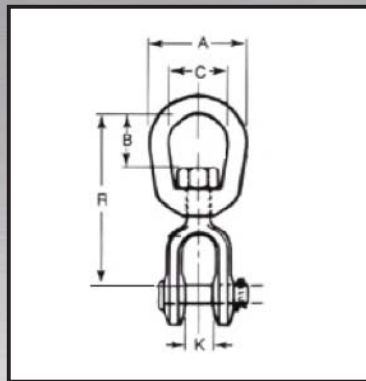


- Material: Forged Steel, quenched and tempered
- Standard: RR-C-271F, Type VII, Class 2
- Finish: Hot Dip Galvanized.
- Design Factor: 5:1
- Identification: Trademark, Size/WLL

Rope (in)	WLL (lb)	Wt./ea. (lb)	Dimensions (in)				Price / ea.	Part Number
			A	B	C	L		
3/8	2250	0.71	0.94	1.50	1.25	4.31	STOCKED	6-3/8SWLEE
1/2	3600	1.32	1.31	2.00	1.50	5.44	STOCKED	6-1/2SWLEE
5/8	5200	2.49	1.56	2.38	1.75	6.56	STOCKED	6-5/8SWLEE
3/4	7200	4.02	1.75	2.43	2.00	7.19	STOCKED	6-3/4SWLEE
1	12 500	8.95	2.31	3.25	2.50	9.63	STOCKED	6-1SWLEE
1 1/4	18 000	16.37	2.89	3.89	3.13	11.44	STOCKED	6-1-1/4SWLEE
1 1/2	45 200	45.79	4.40	6.11	3.95	17.51	STOCKED	6-1-1/2SWLEE

These swivels are positioning devices and are not intended to rotate under load.

## Swivel - Jaw & Eye



- Material: Forged Steel, quenched and tempered
- Standard: RR-C-271F, Type VII, Class 2
- Finish: Hot Dip Galvanized.
- Design Factor: 5:1
- Identification: Trademark, Size/WLL

Rope (in)	WLL (lb)	Wt./ea. (lb)	Dimensions (in)						Price / ea.	Part Number
			A	B	C	K	R	Length		
3/8	2250	0.66	2.00	0.94	1.25	0.63	3.63	4.75	STOCKED	6-3/8SWLJE
1/2	3600	1.34	2.50	1.31	1.50	0.75	4.50	6.06	STOCKED	6-1/2SWLJE
5/8	5200	2.48	3.00	1.56	1.75	0.94	5.31	7.31	STOCKED	6-5/8SWLJE
3/4	7200	3.88	3.50	1.75	2.00	1.13	6.06	8.31	STOCKED	6-3/4SWLJE
1	12 500	9.84	4.50	2.31	2.40	1.75	8.56	11.69	STOCKED	6-1SWLJE
1 1/4	18 000	15.75	5.69	2.89	3.13	2.06	9.44	13.13	STOCKED	6-1-1/4SWLJE
1 1/2	45 200	54.75	7.00	3.88	4.00	2.88	14.25	20.84	STOCKED	6-1-1/2SWLJE

These swivels are positioning devices and are not intended to rotate under load.



**WARNING**

NEVER EXCEED PUBLISHED WORKING LOAD LIMIT





## Swivel - Jaw & Eye



Size (in)	Price / ea.	Part Number
1/4	STOCKED	6-1/4SWLJE316
5/16	STOCKED	6-5/16SWLJE316
5/8	STOCKED	6-5/8SWLJE316
3/4	STOCKED	6-3/4SWLJE316

- Material: 316 Stainless Steel
- Finish: Stainless Steel
- Design Factor: Non-Load Rated

## Swivel - Eye & Eye



Size (in)	Price / ea.	Part Number
1/4	STOCKED	6-1/4SWEESS
5/16	STOCKED	6-5/16SWEESS
3/8	STOCKED	6-3/8SWEESS
1/2	STOCKED	6-1/2SWEESS
5/8	STOCKED	6-5/8SWEESS
3/4	STOCKED	6-3/4SWEESS

- Material: 304 Stainless Steel
- Finish: Stainless Steel
- Design Factor: Non-Load Rated

## Swivel - Flex, Eye & Eye



- Material: 316 Stainless Steel
- Finish: Stainless Steel
- Design Factor: Non-Load Rated

Size (in)	Price / ea.	Part Number
1	STOCKED	6-1"SWLF

## Swivel - Short Bow



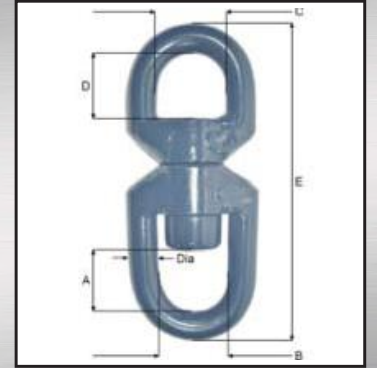
Type	Price / ea.	Part Number
1-1/4" short bow swivels	STOCKED	6-1-1/4"SBSWL



### Swivel - Eye & Eye

- Material: Steel
- Standard: RR-C-271F
- Finish: Painted Blue
- Design Factor: 5:1
- Identification: Size/WLL
- Rated in Metric Ton(s)

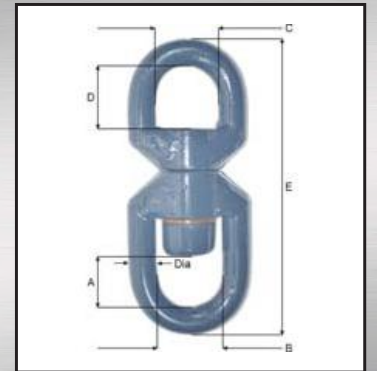
Size (mm)	WLL (t)	Wt./ea. (kg)	Dimensions (mm)					Price / ea.	Part Number
			A	B	C	D	E		
32	12.5	7.2	60	57	55	50	305	STOCKED	6-32SWLEE



### Swivel - Eye & Eye, with Hardened Wearing Ring

- Material: Steel
- Standard: RR-C-271F
- Finish: Painted Blue
- Design Factor: 5:1
- Identification: Size/WLL
- Rated in Metric Ton(s)

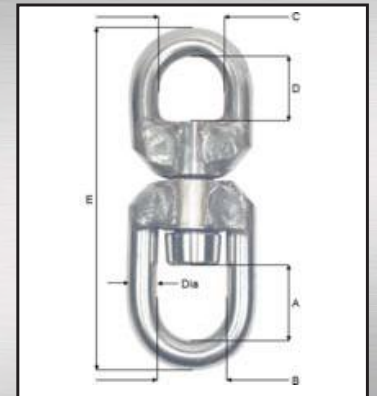
Size (mm)	WLL (t)	Wt./ea. (kg)	Dimensions (mm)					Price / ea.	Part Number
			A	B	C	D	E		
32	12.5	7.6	60	57	55	50	305	STOCKED	6-32SWLEEHR



### Swivel - Eye & Eye

- Material: 304 Stainless Steel
- Standard: RR-C-271F
- Finish: Stainless Steel
- Design Factor: 5:1
- Identification: Size/WLL
- Rated in Metric Ton(s)

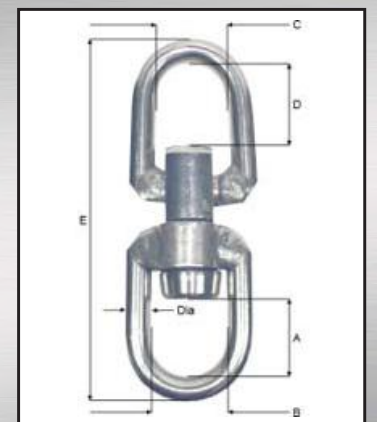
Size (mm)	WLL (t)	Wt./ea. (kg)	Dimensions (mm)					Price / ea.	Part Number
			A	B	C	D	E		
32	12.0	8.15	60	50	50	98	350	STOCKED	6-32SWEES



### Swivel - Flex, Eye & Eye

- Material: 304 Stainless Steel
- Standard: RR-C-271F
- Finish: Stainless Steel
- Design Factor: 5:1
- Identification: Size/WLL
- Rated in Metric Ton(s)

Size (mm)	WLL (t)	Wt./ea. (kg)	Dimensions (mm)					Price / ea.	Part Number
			A	B	C	D	E		
32	12.0	9.2	70	55	54	93	360	STOCKED	6-32SWLF
45	28.0	24.0	75	70	84	106	515	STOCKED	6-45SWLF

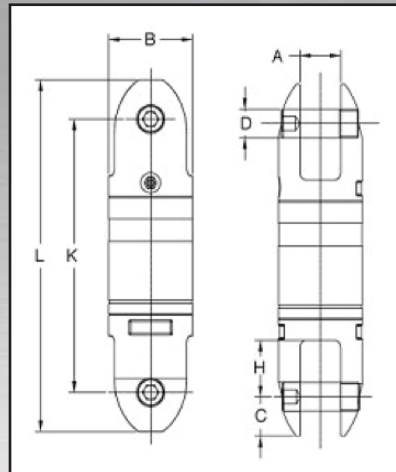




- All Yoke Swivels are manufactured using the highest grade of material available
- Tested to 2 times the Working Load Limit with certification
- Zinc plated for corrosion resistance and longer life
- Grease fittings for superior performance
- Designed for low starting torque and high rotation speed
- 20,000 cycle fatigue rated to 1.5 times WLL
- 100% Magnaflux crack detection
- All parts with batch number for quality certified and traceability
- Rated in Meric Ton(s)



**Swivel - Bullet Style, Angular Contact Bearing, Yoke<sup>®</sup>**



- Minimum Ultimate Load is 5 times the Working Load Limit
- Proof Load is 2 times the Working Load Limit
- Rated in Metric Ton(s)

Swivels

Wire Size (in)	WLL (t)	Dimensions (mm)							Wt./ea. (lb)	Price / ea.	Part Number
		B	K	L	C	A	D	H			
1/2	3	2.00	6.3	8.00	0.90	0.90	0.60	1.20	4.4	STOCKED	28-301-03
5/8	5	2.50	8.00	10.30	1.20	1.30	0.90	1.50	8.7	STOCKED	28-301-05
3/4	8.5	3.00	9.50	12.30	1.40	1.50	1.00	2.00	14.8	STOCKED	28-301-085
7/8	10	4.00	12.50	16.00	1.80	1.70	1.50	2.10	41.1	STOCKED	28-301-10
1	15	4.30	12.50	16.00	1.80	2.00	1.50	2.20	45.5	STOCKED	28-301-15
1 1/4	25	5.20	14.70	19.50	2.40	2.50	2.00	2.70	80.0	STOCKED	28-301-25

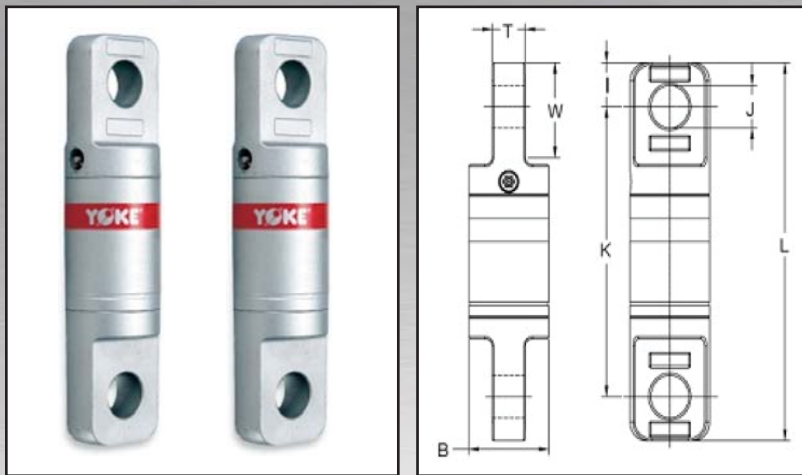




- All Yoke Swivels are manufactured using the highest grade of material available
- Tested to 2 times the Working Load Limit with certification
- Zinc plated for corrosion resistance and longer life
- Grease fittings for superior performance
- Designed for low starting torque and high rotation speed
- 20,000 cycle fatigue rated to 1.5 times WLL
- 100% Magnaflux crack detection
- All parts with batch number for quality certified and traceability
- Rated in Metric Ton(s)



**Swivel - Eye & Eye, Angular Contact Bearing, Yoke<sup>®</sup>**



- Minimum Ultimate Load is 5 times the Working Load Limit
- Proof Load is 2 times the Working Load Limit
- Rated in Metric Ton(s)

Wire Size (in)	WLL (t)	Dimensions (in)							Wt./ea. (lb)	Price / ea.	Part Number
		B	K	L	I	T	J	W			
1/2	3	2.00	6.20	8.43	1.10	0.80	1.10	2.00	4.6	STOCKED	28-306-03
5/8	5	2.50	8.30	10.90	1.30	1.00	1.30	2.60	9.5	STOCKED	28-306-05
3/4	8.5	3.00	9.80	12.80	1.50	1.30	1.50	3.20	16.1	STOCKED	28-306-085
7/8	10	4.00	12.20	16.30	2.10	1.70	2.00	3.50	37.4	STOCKED	28-306-10
1	15	4.30	12.40	17.40	2.50	1.90	2.50	4.30	46.0	STOCKED	28-306-15
1 1/4	25	5.20	16.00	21.50	2.80	2.33	2.63	5.30	86.0	STOCKED	28-306-25

**Swivels**

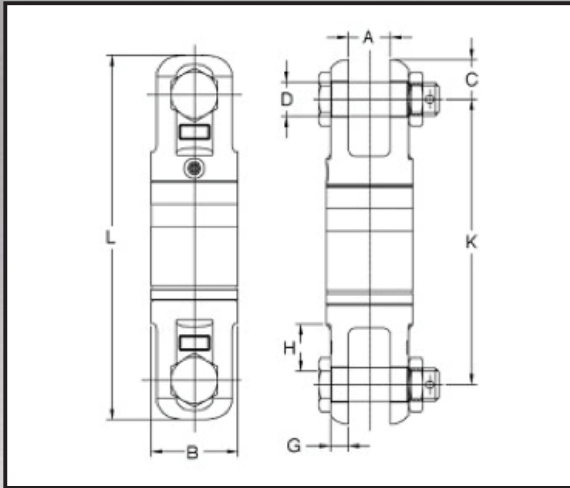


**YOKE**<sup>®</sup>  
Safety is our First Priority



- All Yoke Swivels are manufactured using the highest grade of material available
- Tested to 2 times the Working Load Limit with certification
- Zinc plated for corrosion resistance and longer life
- Grease fittings for superior performance
- Designed for low starting torque and high rotation speed
- 20,000 cycle fatigue rated to 1.5 times WLL
- 100% Magnaflux crack detection
- All parts with batch number for quality certified and traceability
- Rated in Metric Ton(s)

**Swivel - Jaw & Jaw, Angular Contact Bearing, Yoke<sup>®</sup>**



- Minimum Ultimate Load is 5 times the Working Load Limit
- Proof Load is 2 times the Working Load Limit
- Rated in Metric Ton(s)

Swivels

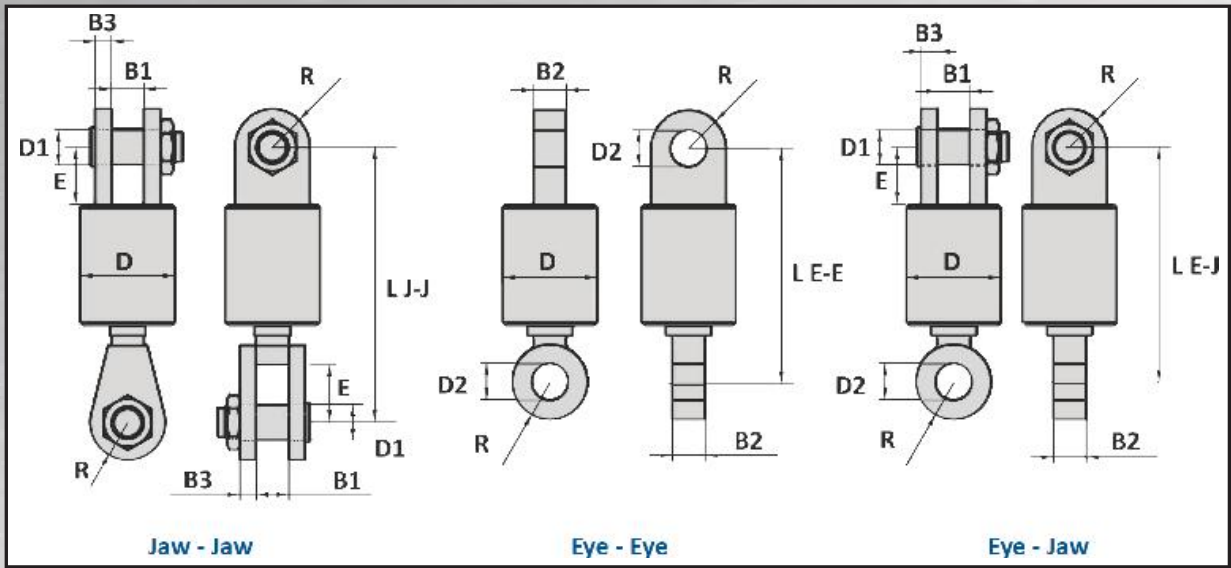
Wire Size (in)	WLL (t)	Dimensions (in)								Wt./ea. (lb)	Price / ea.	Part Number
		B	K	L	C	A	D	G	H			
1/2	3	2.00	6.20	8.20	1.00	0.90	0.80	0.40	1.30	5.1	STOCKED	28-303-03
5/8	5	2.50	8.00	10.30	1.20	1.18	0.90	0.60	1.50	9.7	STOCKED	28-303-05
3/4	8.5	3.00	10.00	12.60	1.30	1.60	1.20	0.60	2.10	16.8	STOCKED	28-303-085
7/8	10	4.00	12.40	16.20	1.90	1.70	1.50	1.00	2.10	43.0	STOCKED	28-303-10
1	15	4.30	12.40	16.50	2.00	1.90	1.50	1.00	2.20	48.6	STOCKED	28-303-15
1 1/4	25	5.20	14.70	20.00	2.60	2.40	2.00	1.20	2.80	87.0	STOCKED	28-303-25



**Swivel - Closed Body Swivel, GN®**

Made in Holland

- Material: High Tensile Steel
- Finish: Painted
- Design Factor: 5:1
- Temperature Range: -20°C up to +200°C
- Certification: Certificate of Conformity (on request)  
 3.1 material certificate EN 10204 (on request)
- Rated in Metric Ton(s)



WLL (ton)	Dimensions (mm)											Wt. J-J (kg)	Wt. E-E (kg)	Wt. E-J (kg)	Price	Part Number
	B1	B2	B3	D1	D2	D	E	L J-J	L E-E	L E-J	R					
17	65	55	28	63	65	170	130	480	410	480	70	59	44	55	Pricing on Request	116-17CBS
25	76	70	30	70	72	190	145	565	450	535	70	84	64	77		116-25CBS
35	90	80	40	80	82	250	175	690	540	645	85	168	133	156		116-35CBS
55	110	100	50	100	103	270	175	800	690	785	105	274	213	254		116-55CBS
70	110	100	55	108	111	290	170	810	700	810	115	323	252	275		116-70CBS
85	130	120	75	127	130	350	175	870	830	855	135	529	404	448		116-85CBS
120	155	140	90	152	155	430	190	890	920	925	170	851	663	734		116-120CBS
150	170	160	100	178	181	470	210	1003	960	1038	190	1170	892	990		116-150CBS
200	190	170	110	190	193	530	250	1150	1060	1180	220	1726	1224	1424		116-200CBS
250	210	190	120	250	253	600	280	1240	1170	1300	260	2587	1737	2090		116-250CBS
300	250	190	175	290	293	750	300	1350	1280	1440	300	4320	2769	3438	116-300CBS	

Tolerance: ± 5%, machined parts ± 1 mm

Swivels





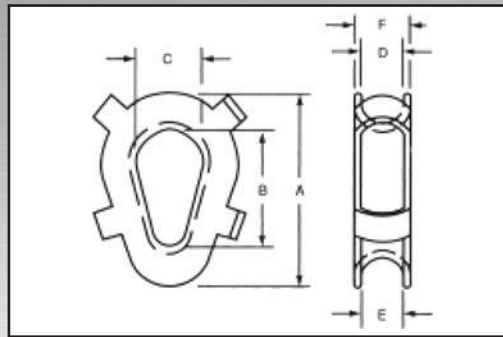
## Thimble - Tube



Size (mm)	Type	Price / ea.	Part Number
12	215	STOCKED	6-TT1/2
14	217	STOCKED	6-TT9/16
16	219	STOCKED	6-TT5/8
18	222	STOCKED	6-TT3/4
22	225	STOCKED	6-TT7/8
24	228	STOCKED	6-TT15/16
26	230	STOCKED	6-TT1
32	235	STOCKED	6-TT1-1/4

- Material: Steel.
- Standard: FF-T-276C
- Finish: Painted Yellow

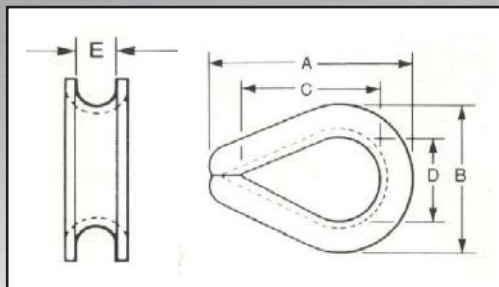
## Thimble - Synthetic Rope



- Material: Steel.
- Standard: FF-T-276C
- Finish: Hot Dip Galvanized

Size (in)	Rope Dia. (mm)	Wt. (lb)	Dimensions (mm)						Price / ea.	Part Number
			A	B	C	D	E	F		
1-1/4 - 1-5/8	32 - 40	6.6	196	127	85	50	50	60	STOCKED	6-1-1/4-1-5/8SRT
2 - 2-1/4	48 - 56	15	247	149	92	72	72	89	STOCKED	6-2-2-1/4SRT
2-5/8	64	19.4	276	159	102	75	75	79	STOCKED	6-2-5/8SRT
3	72	30.2	320	195	120	87	87	105	STOCKED	6-3SRT
3-1/4	80 - 86	41.8	360	220	128	101	101	114	STOCKED	6-3-1/4SRT

## Thimble - Heavy Duty



- Material: 304 Stainless Steel.
- Standard: FF-T-276C
- Finish: Stainless Steel

Rope Dia. (in)	Wt. / 100 pcs. (lb)	Dimensions (in)						Price / ea.	Part Number
		A	B	C	D	E	Thickness		
1/4	6.5	2.19	1.43	1.65	0.88	0.28	0.41	STOCKED	6-1/4"SSHDTH
5/16	11.8	2.75	1.88	2.00	1.06	0.34	0.50	STOCKED	6-5/16"SSHDTH
3/8	21.6	2.88	2.00	2.13	1.13	0.41	0.63	STOCKED	6-3/8"SSHDTH
1/2	51.0	3.63	2.75	2.75	1.50	0.53	0.81	STOCKED	6-1/2"SSHDTH
5/8	75.7	4.25	3.25	3.13	1.75	0.66	0.97	STOCKED	6-5/8"SSHDTH
3/4	158.1	5.00	3.75	3.81	2.00	0.78	1.22	STOCKED	6-3/4SSHDTH

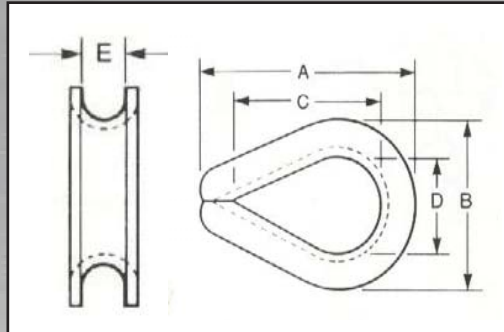
## Thimble - Light Duty



- Material: 304 Stainless Steel.
- Standard: FF-T-276C

Size (in)	Price / ea.	Part Number
1/8	STOCKED	6-1/8"SSLDTH
3/16	STOCKED	6-3/16"SSLDTH

## Thimble - Heavy Duty



- Material: Steel.
- Standard: FF-T-276C
- Finish: Hot Dip Galvanized

Rope Dia. (in)	Wt. / 100 pcs. (lb)	Dimensions (in)						Qty. / Box	Price / ea.	Part Number
		A	B	C	D	E	Thickness			
1/4	6.5	2.19	1.50	1.63	0.88	0.28	0.41	1000	STOCKED	6-1/4GT
5/16	11.8	2.50	1.81	1.88	1.06	0.34	0.50	500	STOCKED	6-5/16GT
3/8	21.6	2.88	2.13	2.13	1.13	0.41	0.63	250	STOCKED	6-3/8GT
7/16	34.7	3.25	2.38	2.38	1.25	0.47	0.72	150	STOCKED	6-7/16GT
1/2	51.0	3.63	2.75	2.75	1.50	0.53	0.81	100	STOCKED	6-1/2GT
9/16	51.0	3.63	2.69	2.75	1.50	0.59	0.88	100	STOCKED	6-9/16GT
5/8	75.7	4.25	3.13	3.25	1.75	0.66	0.97	80	STOCKED	6-5/8GT
3/4	158.1	5.00	3.81	3.75	2.00	0.78	1.22	50	STOCKED	6-3/4GT
7/8	177.8	5.50	4.25	4.25	2.25	0.94	1.38	30	STOCKED	6-7/8GT
1	313.9	6.13	4.94	4.50	2.50	1.06	1.56	20	STOCKED	6-1GT
1 1/8 - 1 1/4	400.0	7.00	5.88	5.13	2.88	1.31	1.81	15	STOCKED	6-11/8-11/4GT
1 1/4 - 1 3/8	811.0	9.00	6.81	6.25	3.50	1.44	2.19	6	STOCKED	6-11/4-13/8GT
1 3/8 - 1 1/2	1295	9.06	7.13	6.50	3.50	1.56	2.56	5	STOCKED	6-1-1/2GT
1 3/4	1775	12.19	8.50	9.00	4.50	1.84	2.84	4	STOCKED	6-1-3/4GT
2	2775	15.13	10.38	12.00	6.00	2.09	3.09	2	STOCKED	6-2GT
2 1/4	3950	17.13	11.88	14.00	7.00	2.38	3.63	1	STOCKED	6-2-1/4GT
2 1/2	6350	18.50	12.75	15.00	7.00	3.00	4.50	1	STOCKED	6-2-1/2GT
3	11 000	21.50	13.00	18.00	8.00	3.50	5.25	1	STOCKED	6-3GT

## Thimble - Light Duty

Rope Dia. (in)	Wt. / 100 pcs. (lb)	Dimensions (in)					Price / ea.	Part Number
		A	B	C	D	E		
1/8	3.50	1.94	1.06	1.31	0.69	0.16	STOCKED	6-1/8"GLDT
3/16	3.50	1.94	1.06	1.31	0.69	0.22	STOCKED	6-3/16"GLDT
1/4	3.50	1.94	1.06	1.31	0.69	0.28	STOCKED	6-1/4"GLDT
5/16	4.00	2.13	1.25	1.50	0.81	0.34	STOCKED	6-5/16"GLDT
3/8	6.70	2.38	1.47	1.63	0.94	0.41	STOCKED	6-3/8"GLDT
1/2	12.5	2.75	1.75	1.88	1.13	0.53	STOCKED	6-1/2"GLDT
5/8	34.50	3.50	2.38	2.25	1.38	0.66	STOCKED	6-5/8"GLDT
3/4	47.10	3.75	2.69	2.50	1.63	0.78	STOCKED	6-3/4"GLDT
7/8	84.60	5.00	3.19	3.50	1.88	0.94	STOCKED	6-7/8GLDT
1	97.50	5.69	3.75	4.25	2.50	1.06	STOCKED	6-1"GLDT



## Tool - Swager Cutter



Blades drop forged with high quality alloy steel body with heat treatment, cutting edges induction quenched, good cutting by 2 grade lever principal. Used to cut up to 6mm wire rope and press 1/16" to 3/16" aluminium oval sleeves.

Size (in)	Replacement Head		Unit	
	Price / ea.	Part Number	Price / ea.	Part Number
24	STOCKED	6-24SH	STOCKED	6-24S

## Tool - Bolt Cutter



Exceeds Fed Spec GGG-C-470D type II 3&4 – Alloy steel blades. Rubber grip steel tubular handles. Toggle joint that transforms 50 pounds of hand pressure to 4,000 pounds pressure on cutting edges of the jaws. Adjustment bolt to align cutting heads. Blades are drop forged with cutting edges induction quenched. Maximum hardness of material to be cut HRC40.

Size (in)	Replacement Head ONLY		Bolt Cutter Unit	
	Price / ea.	Part Number	Price / ea.	Part Number
12	STOCKED	6-12BCSH	STOCKED	6-12BC
14	STOCKED	6-14BCSH	STOCKED	6-14BC
18	STOCKED	6-18BCSH	STOCKED	6-18BC
24	STOCKED	6-24BCSH	STOCKED	6-24BC
30	STOCKED	6-30BCSH	STOCKED	6-30BC
36	-	-	STOCKED	6-36BC
42	-	-	STOCKED	6-42BC

## Tool - Wire Cutter



Used with 2 grade lever principal for easy cutting, used for cutting steel wires.

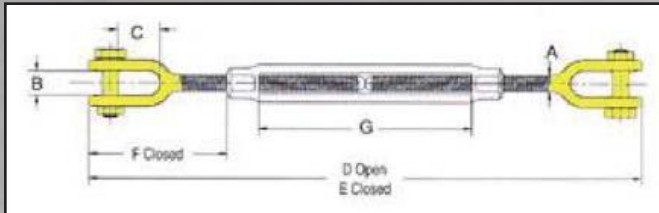
Size (in)	Steel Bar cut max. (mm)	Wire cut max. (mm)	Replacement Head ONLY		Unit	
			Price / ea.	Part Number	Price / ea.	Part Number
36	12	18	STOCKED	6-36WCSJ	STOCKED	6-36WC
42	13	22	STOCKED	6-42WCSJ	STOCKED	6-42WC

Tools



## Turnbuckle - Jaw & Jaw, Galvanized

®Trademark - Yellow Attached End Fitting Turnbuckle Design - Registration - ®TMA 796,844



- Ends: Sizes 1/4" through 1/2" c/w nut & bolt  
      Sizes 5/8" through 2-3/4" c/w pin & cotter.
- Body/Thread: All sizes provided with Lock Nuts.

### Manufacturing/Design Information:

- Manufactured to: Federal Specification FF-T791B, ASTM F1145, Type 1, Form 1 - Class 7 (G)
- Meet and/or exceeds: ASME B30.26
- Safety/Design Factor: 5:1
- Forged – Quenched and Tempered (Ends), Normalizing (Body)

### Coating / Protection:

- Hot dip galvanized & yellow powder coated.

### Identification / Marking:

- Name or trademark of manufacturer "OCEAN / OC"
- Size or rated load
- "Yellow" for instant recognition
- Additional Identification:
- Production Code – Traceable to certificate & material.
- \*Note: Applicable to all Yellow end turnbuckles.

Thread Dia & Take Up (in x in)	WLL (lb)	Wt./ea. (lb)	Dimensions (in)							Price / ea.	Part Number
			A	B	C	D Open	E Closed	F Closed	G		
1/4 x 4	500	0.36	0.25	0.41	0.62	11.90	7.90	1.58	4.00	STOCKED	6-1/4X4JJ
5/16 x 4 1/2	800	0.52	0.31	0.47	0.87	13.90	9.40	1.98	4.50	STOCKED	6-5/16X41/2JJ
3/8 x 6	1200	0.81	0.38	0.50	0.87	17.38	11.38	2.12	6.00	STOCKED	6-3/8X6JJ
1/2 x 6	2200	1.50	0.50	0.63	1.06	19.00	13.00	2.75	6.00	STOCKED	6-1/2X6JJ
1/2 x 9	2200	1.74	0.50	0.63	1.06	25.00	16.00	2.75	9.00	STOCKED	6-1/2X9JJ
1/2 x 12	2200	2.40	0.50	0.63	1.06	31.00	19.00	2.75	12.00	STOCKED	6-1/2X12JJ
5/8 x 6	3500	2.72	0.63	0.75	1.31	20.88	14.88	3.50	6.00	STOCKED	6-5/8X6JJ
5/8 x 9	3500	3.24	0.63	0.75	1.31	26.88	17.88	3.50	9.00	STOCKED	6-5/8X9JJ
5/8 x 12	3500	3.74	0.63	0.75	1.31	32.88	20.88	3.50	12.00	STOCKED	6-5/8X12JJ
3/4 x 6	5200	4.11	0.75	0.94	1.50	22.60	16.60	4.18	6.00	STOCKED	6-3/4X6JJ
3/4 x 9	5200	5.10	0.75	0.94	1.50	28.60	19.60	4.18	9.00	STOCKED	6-3/4X9JJ
3/4 x 12	5200	6.65	0.75	0.94	1.50	34.60	22.60	4.18	12.00	STOCKED	6-3/4X12JJ
3/4 x 18	5200	7.00	0.75	0.94	1.50	46.60	28.60	4.18	18.00	STOCKED	6-3/4X18JJ
7/8 x 12	7200	8.17	0.88	1.13	1.75	36.32	24.32	4.85	12.00	STOCKED	6-7/8X12JJ
7/8 x 18	7200	10.78	0.88	1.13	1.75	48.32	30.32	4.85	18.00	STOCKED	6-7/8X18JJ
1 x 6	10 000	10.18	1.00	1.19	2.06	26.06	20.06	5.53	6.00	STOCKED	6-1X6JJ
1 x 12	10 000	12.00	1.00	1.19	2.06	38.06	26.06	5.53	12.00	STOCKED	6-1X12JJ
1 x 18	10 000	14.00	1.00	1.19	2.06	50.06	32.06	5.53	18.00	STOCKED	6-1X18JJ
1 x 24	10 000	17.00	1.00	1.19	2.06	62.06	38.06	5.53	24.00	STOCKED	6-1X24JJ
1-1/4 x 12	15 200	20.59	1.25	1.75	2.81	42.54	29.54	7.21	12.00	STOCKED	6-1-1/4X12JJ
1-1/4 x 18	15 200	24.25	1.25	1.75	2.81	53.54	35.54	7.21	18.00	STOCKED	6-1-1/4X18JJ
1-1/4 x 24	15 200	28.20	1.25	1.75	2.81	68.04	41.54	7.21	24.00	STOCKED	6-1-1/4X24JJ
1-1/2 x 12	21 400	32.6	1.50	2.06	2.81	45.68	33.68	8.93	12.00	STOCKED	6-1-1/2X12JJ
1 1/2 x 18	21 400	36.75	1.50	2.06	2.81	58.50	37.50	7.88	18.00	STOCKED	6-1-1/2X18JJ
1-1/2 x 24	21 400	41.60	1.50	2.06	2.81	70.50	43.50	7.88	24.00	STOCKED	6-1-1/2X24JJ
1-3/4 x 18	28 000	53.50	1.75	2.60	3.35	59.16	41.16	9.36	18.00	STOCKED	6-1-3/4X18JJ
1-3/4 x 24	28 000	63.36	1.75	2.60	3.35	71.18	47.18	9.36	24.00	STOCKED	6-1-3/4x24JJ
2 x 24	37 000	92.25	2.00	2.62	3.69	76.72	52.72	11.86	24.00	STOCKED	6-2X24JJ
2-1/2 x 24	60 000	165.00	2.50	3.06	4.44	82.18	58.18	13.56	24.00	STOCKED	6-21/2X24JJ
2-3/4 x 24	75 000	198.00	2.75	3.68	4.19	85.50	61.50	15.22	24.00	STOCKED	6-2-3/4X24JJ

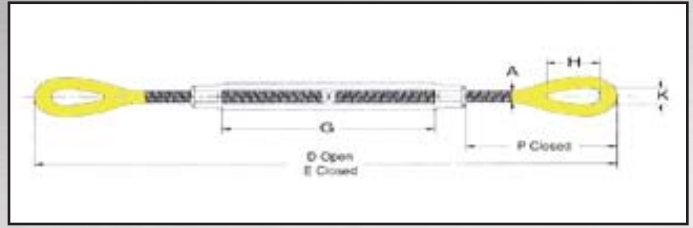
Turnbuckles



## Turnbuckle - Eye & Eye, Galvanized

Conforms to Federal Specification FF-T-791B, ASTM F1145, Type 1, Form 1 – Class 4 (D)

®Trademark - Yellow Attached End Fitting Turnbuckle Design - Registration - ®TMA 796,844

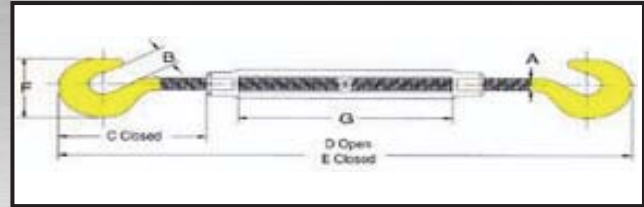


Thread Dia & Take Up (in x in)	WLL (lb)	Wt./ea. (lb)	Dimensions (in)							Price / ea.	Part Number
			A	D Open	E Closed	G	H	K	P Closed		
5/16 x 4 1/2	800	0.47	0.31	14.12	9.62	4.50	0.94	0.44	2.09	STOCKED	6-5/16X41/2EE
3/8 x 6	1200	0.75	0.38	18.16	12.16	6.00	1.12	0.53	2.52	STOCKED	6-3/8X6EE
1/2 x 6	2200	1.60	0.50	19.96	13.96	6.00	1.44	0.72	3.23	STOCKED	6-1/2X6EE
1/2 x 9	2200	1.83	0.50	25.96	16.96	9.00	1.44	0.72	3.23	STOCKED	6-1/2X9EE
1/2 x 12	2200	2.14	0.50	32.08	19.08	12.00	1.44	0.72	3.23	STOCKED	6-1/2X12EE
5/8 x 6	3500	2.75	0.63	21.68	15.68	6.00	1.75	0.88	3.90	STOCKED	6-5/8X6EE
5/8 x 9	3500	3.13	0.63	27.68	18.68	9.00	1.75	0.88	3.90	STOCKED	6-5/8X9EE
5/8 x 12	3500	3.42	0.63	34.93	21.68	12.00	1.75	0.88	3.90	STOCKED	6-5/8X12EE
3/4 x 9	5200	4.61	0.75	29.62	20.62	9.00	2.09	1.00	4.69	STOCKED	6-3/4X9EE
3/4 x 12	5200	5.43	0.75	35.62	23.62	12.00	2.09	1.00	4.69	STOCKED	6-3/4X12EE
3/4 x 18	5200	7.83	0.75	47.64	29.64	18.00	2.09	1.00	5.09	STOCKED	6-3/4X18EE
7/8 x 12	7200	8.10	0.88	36.82	24.82	12.00	2.38	1.25	5.10	STOCKED	6-7/8X12EE
1 x 12	10 000	11.93	1.00	39.97	27.72	12.00	3.00	1.44	6.36	STOCKED	6-1X12EE

## Turnbuckle - Hook & Hook, Galvanized

Conforms to Federal Specification FF-T-791B, ASTM F1145, Type 1, Form 1 – Class 5 (E)

®Trademark - Yellow Attached End Fitting Turnbuckle Design - Registration - ®TMA 796,844



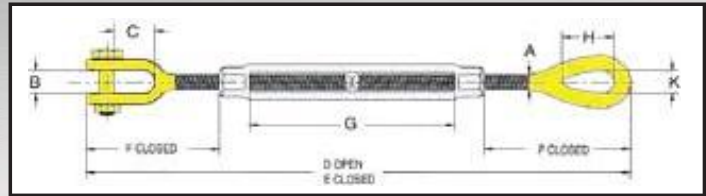
Thread Dia & Take Up (in x in)	WLL (lb)	Wt./ea. (lb)	Dimensions (in)							Price / ea.	Part Number
			A	B	C Closed	D Open	E Closed	F	G		
5/16 x 4 1/2	700	0.47	0.31	0.50	1.94	13.81	9.31	1.50	4.50	STOCKED	6-5/16X41/2HH
3/8 x 6	1000	0.75	0.38	0.56	2.30	17.72	11.72	1.77	6.00	STOCKED	6-3/8X6HH
1/2 x 6	1500	1.60	0.50	0.66	2.94	19.38	13.38	2.28	6.00	STOCKED	6-1/2X6HH
1/2 x 9	1500	1.83	0.50	0.66	2.94	25.38	16.38	2.28	9.00	STOCKED	6-1/2X9HH
5/8 x 6	2250	2.75	0.63	0.84	3.69	21.25	15.25	2.81	6.00	STOCKED	6-5/8X6HH
5/8 x 9	2250	3.13	0.63	0.84	3.69	27.25	18.25	2.81	9.00	STOCKED	6-5/8X9HH
3/4 x 9	3000	4.61	0.75	0.98	4.52	29.28	20.28	3.33	9.00	STOCKED	6-3/4X9HH
3/4 x 12	3000	5.43	0.75	0.98	4.52	35.28	23.28	3.33	12.00	STOCKED	6-3/4X12HH
7/8 x 12	4000	8.10	0.88	1.13	5.19	37.00	25.00	3.78	12.00	STOCKED	6-7/8X12HH
1 x 12	5000	11.93	1.00	1.25	5.84	38.69	26.69	4.25	12.00	STOCKED	6-1X12HH

Turnbuckles

## Turnbuckle - Jaw & Eye, Galvanized

Conforms to Federal Specification FF-T-791B, ASTM F1145, Type 1, Form 1 – Class 8 (H)

®Trademark - Yellow Attached End Fitting Turnbuckle Design - Registration - ®TMA 796,844



Thread Dia & Take Up (in x in)	WLL (lb)	Wt./ea. (lb)	Dimensions (in)										Price / ea.	Part Number
			A	B	C	D Open	E Closed	F Closed	G	H	K	P Closed		
3/8 x 6	1200	0.76	0.38	0.50	0.87	17.77	11.77	2.12	6.00	1.12	0.53	2.52	STOCKED	6-3/8X6JE
1/2 x 6	2200	1.53	0.50	0.63	1.06	19.48	13.48	2.75	6.00	1.44	0.72	3.23	STOCKED	6-1/2X6JE
1 1/2 x 24	21 400	41.60	1.50	2.06	2.81	70.50	43.50	7.88	24.00	4.09	2.12	8.62	STOCKED	6-1-1/2X24JE
1 3/4 x 24	28 000	63.36	1.75	2.60	3.35	71.18	47.18	9.36	24.00	4.65	2.38	9.03	STOCKED	6-1-3/4X24JE

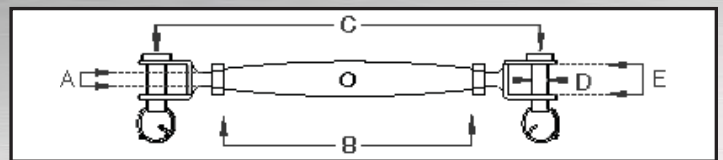
## Turnbuckle - Bottle Type, Galvanized



- Material: Steel.
- Finish: Galvanized

Break Load (lb)	Thread Dia. & Take Up (in x in)	Price / ea.	Part Number
4500	3/8 x 6	STOCKED	6-3/8"BT
6200	1/2 x 7	STOCKED	6-1/2"BT
9700	5/8 x 9	STOCKED	6-5/8"BT
13 500	3/4 x 9	STOCKED	6-3/4"BT
19 200	7/8 x 12	STOCKED	6-7/8"BT
24 800	1 x 13	STOCKED	6-1"BT
45 000	1 1/4 x 15	STOCKED	6-1-1/4"BT

## Turnbuckle - Jaw & Jaw, Bottle Type (Closed)



A Size (in)	Thread Dia. & Take Up (in)				WLL (lb)	Wt./ea. (lb)	Price / ea.	Part Number
	B	C	D	E				
1/4	3.72	5.64	0.20	0.25	440	0.20	STOCKED	6-1/4"BTSS
5/16	4.20	6.50	0.31	0.37	840	0.35	STOCKED	6-5/16"BTSS
3/8	4.87	7.75	0.37	0.43	1260	0.55	STOCKED	6-3/8"BTSS
1/2	5.75	9.50	0.50	0.50	2000	1.50	STOCKED	6-1/2"BTSS
5/8	7.50	13.00	0.62	0.68	3500	2.30	STOCKED	6-5/8"BTSS
3/4	11.00	16.75	0.75	0.88	5000	5.80	STOCKED	6-3/4"BTSS

- Material: 316 Stainless Steel
- Finish: Stainless Steel



**WARNING**

NEVER EXCEED PUBLISHED WORKING LOAD LIMIT





## Turnbuckle - Jaw & Jaw

WLL (lb)	Thread Dia. & Take Up	Price / ea.	Part Number
460	1/4 x 4	STOCKED	6-1/4X4SSJJ
780	5/16 x 4 1/2	STOCKED	6-5/16X4.5SSJJ
1160	3/8 x 6	STOCKED	6-3/8X6SSJJ
2150	1/2 x 6	STOCKED	6-1/2X6SSJJ
3500	5/8 x 6	STOCKED	6-5/8X6SSJJ
5140	3/4 x 6	STOCKED	6-3/4X6SSJJ



- Material: 304 Stainless Steel
- Finish: Stainless Steel
- Design Factor: 4:1

## Turnbuckle - Eye & Eye, Lashing

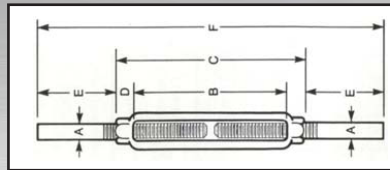


- Material: Steel.
- Finish: Self-Coloured, Black
- Design Factor: 6:1

WLL (lb)	Thread Dia. & Take Up (in x in)	Price / ea.	Part Number
3620	3/4 x 18	STOCKED	6-3/4X18BLEE

## Turnbuckle - Stub End

Conforms to Federal Specification FFT-T-791B, Type 1, Form 1 Class 3



- Standard: FF-T-791B
- Finish: Self-Coloured
- Design Factor: 5:1

Thread Dia. & Take Up (in x in)	WLL (lb)	Wt./ea. (lb)	Dimensions (in)						Price / ea.	Part Number
			A	B	C	D	E	F		
1/2 x 6	2200	1.25	0.50	6.00	7.50	0.75	4.25	16.00	STOCKED	6-1/2X6SET
5/8 x 6	3500	2.11	0.63	6.00	7.88	0.94	4.06	16.00	STOCKED	6-5/8X6SET
3/4 x 6	5200	3.27	0.75	6.00	8.25	1.13	4.38	17.00	STOCKED	6-3/4X6SET
7/8 x 6	7200	4.78	0.88	6.00	8.63	1.31	4.69	18.00	STOCKED	6-7/8X6SET
1 x 6	10 000	6.36	1.00	6.00	9.00	1.50	5.00	19.00	STOCKED	6-1X6SET
1 1/4 x 6	15 200	10.18	1.25	6.00	9.13	1.56	5.44	20.00	STOCKED	6-1-1/4X6SET
1 1/2 x 12	21 400	20.44	1.50	12.00	15.75	1.88	5.38	26.50	STOCKED	6-1-1/2X12SET

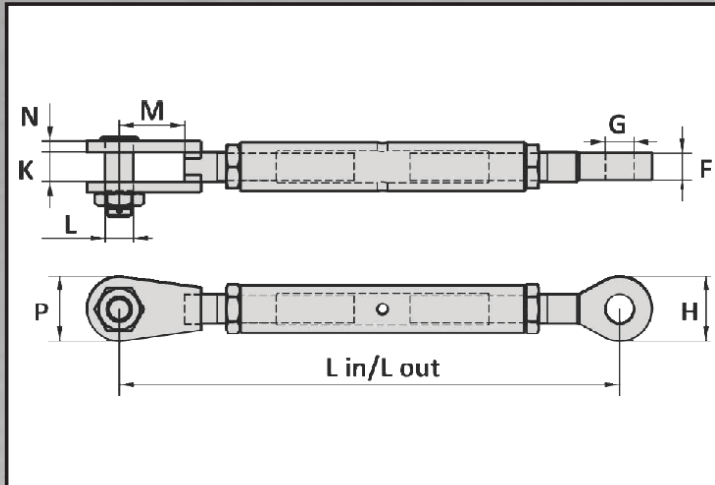
## Turnbuckle - Stub End, Body Only



- Finish: Self-Coloured
- Design Factor: 5:1

WLL (lb)	Size (in x in)	Price / ea.	Part Number
1200	3/8 x 6	STOCKED	6-3/8X6TBSC
2200	1/2 x 6	STOCKED	6-1/2X6TBSC
3500	5/8 x 6	STOCKED	6-5/8X6TBSC
5200	3/4 x 6	STOCKED	6-3/4X6TBSC
7200	7/8 x 6	STOCKED	6-7/8X6TBSC
10 000	1 x 6	STOCKED	6-1X6TBSC
15 200	1 1/4 x 6	STOCKED	6-11/4X6TBSC
21 400	1 1/2 x 6	STOCKED	6-11/2X6TBSC

**Turnbuckle - Heavy Duty, GN®**



- Material: High tensile steel
  - Finish: Painted
  - Design Factor: 5:1
  - Temperature Range: -20°C up to +200°C
  - Certification: Certificate of Conformity (on request)
  - Rated in Metric Ton(s)
- Non-standard sizes or custom product available on request.

WLL (ton)	Jaw-Jaw		Eye-Eye		Jaw-Eye		Thread	Price	Part Number
	Dimensions (mm)		Dimensions (mm)		Dimensions (mm)				
	L in	L out	L in	L out	L in	L out			
13.5	935	1260	840	1165	890	1215	Tr 55x8	Pricing on Request	116-TB13.5
17	1010	1360	920	1270	965	1315	Tr 65x8		116-TB17
25	1085	1415	975	1305	1030	1360	Tr 70x8		116-TB25
30	1160	1530	1020	1390	1090	1460	Tr 75x8		116-TB30
35	1250	1650	1100	1500	1175	1575	Tr 80x8		116-TB35
45	1300	1780	1170	1650	1235	1715	Tr 90x8		116-TB45
55	1380	1890	1270	1780	1325	1835	Tr 100x8		116-TB55
70	1480	2025	1390	1940	1435	1985	Tr 110x8		116-TB70
85	1565	2200	1515	2150	1540	2175	Tr 120x8		116-TB85
100	1630	2360	1600	2330	1615	2345	Tr 130x8		116-TB100
120	1745	2340	1735	2330	1740	2335	Tr 140x8		116-TB120
160	1870	2470	1860	2460	1865	2465	Tr 160x8		116-TB160
200	2020	2640	2000	2620	2010	2630	Tr 180x8		116-TB200
250	2170	2840	2210	2880	2190	2860	Tr 200x8	116-TB250	

WLL (ton)	Dimensions (mm)								Wt. J-J (kg)	Wt. E-E (kg)	Wt. J-E (kg)
	K	N	M	L	P	F	H	G			
13.5	55	20	122	51	120	50	120	53	45	36	41
17	65	28	130	63	140	55	140	65	72	55	62
25	76	30	145	70	140	70	140	72	83	60	73
30	80	35	160	72	150	70	150	74	100	68	85
35	90	40	175	80	170	80	170	82	140	96	117
45	100	45	175	90	190	90	190	93	177	117	146
55	110	50	175	100	210	100	210	103	232	156	194
70	110	55	175	108	230	100	230	111	293	200	245
85	130	75	175	127	270	125	270	130	441	270	363
100	140	90	175	140	290	125	290	143	607	364	485
120	155	90	190	152	340	140	340	155	740	490	615
160	170	100	210	178	380	160	380	181	967	614	791
200	190	110	250	190	400	170	400	193	1380	720	1050
250	210	120	280	250	520	190	520	253	1825	832	1345

Tolerance: Forged parts ± 5%, machined parts ± 1 mm



# SeaLUBE

## Wire Rope Lubricant

**Biodegradable**

- Sea Lube penetrates with a lubricating film that displaces moisture and prevents corrosion.
- Sea Lube guards against surface corrosion from atmospheric, salt, water and acid exposure.
- Sea Lube will not drip or run off surface even at elevated temperatures. Finished coating is dry to the touch. Protects metals, alloys and painted surfaces.

### Sea Lube Wire Rope Lubricant



**AVAILABLE IN AEROSOL CANS,  
5 GAL PAILS & 55 GAL DRUMS.**

Size	Packagin	Price / ea.	Part Number
12 oz aerosol can	12 cans per case	STOCKED	38-93200000
5 gallon pail	Sold individually	STOCKED	38-93200001
55 gallon drum	Sold individually	Pricing on Request	38-93200002

Wire Rope

**MADE IN USA**



**MADE IN USA**



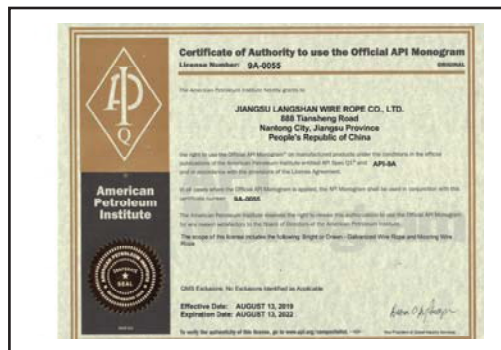


# Jiangsu Langshan Wire Rope Co. Ltd., the Worlds Largest Wire Rope Factory

Jiangsu Wire Rope Mill is a large scale, high tech enterprise and is one of the earliest enterprises in its country specializing in steel wire and steel wire rope sling manufacturing with an annual output of 1,560,000 metric ton, 78,000 containers with a capacity of producing up to 8" diameter wire ropes! With 50 years experience in production they are well equipped with advanced technology and have a complete means of measuring and testing capabilities with the continuous adoption of new equipment, new production processes, new technology and the development of new products.

The products manufactured can be organized according to worldwide known standards like GB, DIN, BS, JIS, ASTM, RR-W-410, API, ISO, and so on. They have already passed the quality system verification of API, ISO9001. Factory through CCS, Lloyd's, ABS, BV, and DNV Factory Certification. In 2006 the products were awarded as the "National Inspection-Free Product".

The company has always attached great importance to product quality, its reputation and that the products are well accepted around the world.



Wire Rope





## Jiangsu Langshan Wire Rope Co. Ltd. The Worlds Largest Wire Rope Factory



Wire Rope



9A-0055



Lloyd's Register

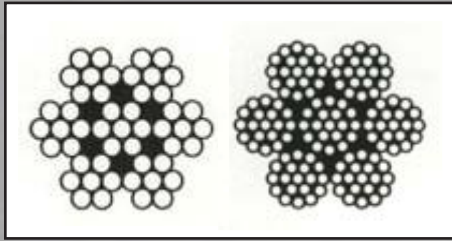


ABS





## Wire Rope - 7x7 & 7x19, Aircraft Cable, Steel Core, Galvanized



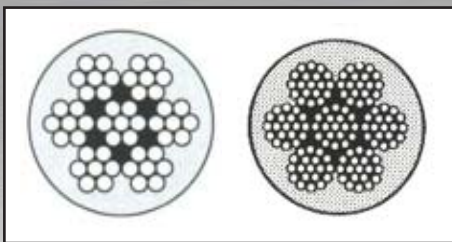
- Material: Improved Plow Steel (Grade 1770)
- Standard: MIL-W-83420D
- Finish: Drawn Galvanized, Lube: Dry
- Lay: ROL (sZ) / Core: IWRC
- Construction: 7x7 & 7x19
- Certification: Manufacturers (on request)

Note: Reel material differs between; Wood, Metal, and Plastic.  
\*Actual loads may vary.

Diameter (in)	Tolerance (in)	*MBF (lb)	Construction	Wt./1000 ft (lb)	Qty. / Reel (ft)	Price / Reel	Part Number
1/16	0.010	480	7 x 7	7.5	500	STOCKED	6-1/16500RL
1/16	0.010	480	7 x 7	7.5	1000	STOCKED	6-1/161000RL
3/32	0.012	920	7 x 7	16.0	500	STOCKED	6-3/32500RL
3/32	0.012	920	7 x 7	16.0	1000	STOCKED	6-3/321000RL
1/8	0.014	1700	7 x 7	28.5	500	STOCKED	6-1/8500RL
1/8	0.014	1700	7 x 7	28.5	1000	STOCKED	6-1/81000RL
1/8	0.014	2000	7 x 19	29.0	1000	STOCKED	6-1/81000X19RL
5/32	0.016	2600	7 x 7	43.0	500	STOCKED	6-5/32500RL
5/32	0.016	2600	7 x 7	43.0	1000	STOCKED	6-5/321000RL
5/32	0.016	2800	7 x 19	45.0	1000	STOCKED	6-5/321000X19RL
3/16	0.018	3700	7 x 7	62.0	500	STOCKED	6-3/16500RL
3/16	0.018	3700	7 x 7	62.0	1000	STOCKED	6-3/161000RL
3/16	0.018	4200	7 x 19	65.0	250	STOCKED	6-3/16250X19RLM
3/16	0.018	4200	7 x 19	65.0	500	STOCKED	6-3/16500X19RL
3/16	0.018	4200	7 x 19	65.0	1000	STOCKED	6-3/161000X19RL
3/16	0.018	4200	7 x 19	65.0	5000	STOCKED	6-3/165000X19RL
1/4	0.018	7000	7 x 19	110.0	250	STOCKED	6-1/4250RLM
1/4	0.018	7000	7 x 19	110.0	500	STOCKED	6-1/4500RL
1/4	0.018	7000	7 x 19	110.0	1000	STOCKED	6-1/41000RL
1/4	0.018	7000	7 x 19	110.0	5000	STOCKED	6-1/45000RL
5/16	0.022	9800	7 x 19	173.0	150	STOCKED	6-5/16150RLM
5/16	0.022	9800	7 x 19	173.0	500	STOCKED	6-5/16500RL
5/16	0.022	9800	7 x 19	173.0	1000	STOCKED	6-5/161000RL
5/16	0.022	9800	7 x 19	173.0	5000	STOCKED	6-5/165000RL
3/8	0.026	14 400	7 x 19	243.0	110	STOCKED	6-3/8110RLM
3/8	0.026	14 400	7 x 19	243.0	500	STOCKED	6-3/8500RL
3/8	0.026	14 400	7 x 19	243.0	1000	STOCKED	6-3/81000RL
3/8	0.026	14 400	7 x 19	243.0	5000	STOCKED	6-3/85000RL

NOT FOR AIRCRAFT USE – SOLD IN FULL REELS ONLY

## Wire Rope - 7x7 & 7x19, Aircraft Cable, PVC Coated, Steel Core, Galvanized



- Material: Improved Plow Steel (Grade 1770)
- Standard: MIL-W-83420D
- Finish: Drawn Galvanized / PVC Coated - Clear, Lube: Dry
- Lay: ROL (sZ) / Core: IWRC
- Construction: 7x7 & 7x19
- Certification: Manufacturers (on request)

\*Actual loads may vary.  
• \*Note: Diameter A: PVC Coating removed, raw steel cable.  
Diameter B: PVC Coating not removed.

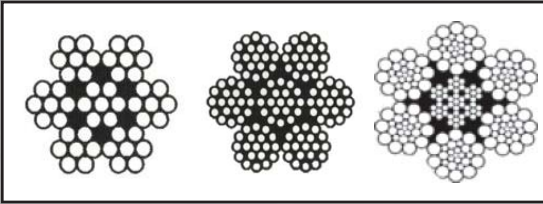
*Diameter (in)		MBF (lb)	Construction	Wt. / 1000 ft (lb)	Qty. / Reel (ft)	Price / ft	Part Number
A	B						
1/8	3/16	1700	7 x 7	36.2	Bulk	STOCKED	WR-PVC3/16"-7
3/16	1/4	4200	7 x 19	77.5	Bulk	STOCKED	WR-PVC1/4"-7
1/4	5/16	7000	7 x 19	123	Bulk	STOCKED	WR-PVC-5/16"
5/16	3/8	9800	7 x 19	197	Bulk	STOCKED	WR-PVC3/8"

NOT FOR AIRCRAFT USE





## Wire Rope - 7x7, 7x19, 6x19, 6x26, Steel Core, Stainless



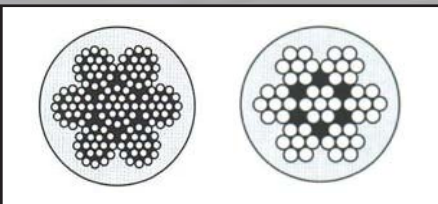
- Material: Improved Plow Steel (Grade 1770), 304 & 316 Stainless (ANSI 316)
- Standard: MIL-W-83420D, ASTM A492, ISO 2408, RR-W-410G, API-9A
- Finish: Stainless Steel, Lube: Dry
- Lay: ROL (sZ) / Core: IWRC
- Construction: 7x7 & 7x19 & 6x19 & 6x26
- Certification: Manufacturers (on request)

\*Actual loads may vary.

Diameter (in)	*MBF (lb)	Construction	Grade Stainless	Qty. / Reel (ft)	Price / Reel or ft	Part Number
1/16	480	7 x 7	304	*Bulk	STOCKED	WRSS-7X7-1/16
1/16	480	7 x 7	304	500	STOCKED	WRSS-7X7-1/16M
3/32	920	7 x 7	304	*Bulk	STOCKED	WRSS-7X7-3/32
1/8	1700	7 x 7	304	*Bulk	STOCKED	WRSS-7X7-1/8
1/8	1700	7 x 7	304	250	STOCKED	WRSS-7X7-1/8M
1/8	1760	7 x 19	304	1000	STOCKED	WRSS-7x19-1/8
1/8	1760	7 x 19	304	*Bulk	STOCKED	WRSS-7x19-1/8RL
5/32	2400	7 x 7	304	*Bulk	STOCKED	WRSS-7X7-5/32
3/16	3700	7 x 19	304	*Bulk	STOCKED	WRSS-7X19-3/16
3/16	3700	7 x 7	304	100	STOCKED	WRSS-7x7-3/16M
1/4	6400	7 x 19	304	*Bulk	STOCKED	WRSS-7X19-1/4
1/4	6400	7 x 19	304	100	STOCKED	WRSS-7x19-1/4M
5/16	9000	7 x 19	304	*Bulk	STOCKED	WRSS-7X19-5/16
3/8	12 000	7 x 19	304	*Bulk	STOCKED	WRSS-7X19-3/8
1/2	19 300	6 x 26	316	*Bulk	STOCKED	WRSS-6X19-1/2"
5/8	32 250	6 x 26	316	*Bulk	STOCKED	WRSS-6x26-5/8
3/4	44 600	6 x 26	316	*Bulk	STOCKED	WRSS-6x26-3/4

\*Note: Bulk pricing is subject to labor and material charges.

## Wire Rope - 7x7, 7x19, Aircraft Cable, PVC Coated, Steel Core, Stainless



- Material: Improved Plow Steel (Grade 1770), 316 Stainless (ANSI 316)
- Standard: MIL-W-83420D, ASTM A492
- Finish: Stainless Steel, Lube: Dry
- Lay: ROL (sZ) / Core: IWRC
- Construction: 7x7 & 7x19
- Certification: Manufacturers (on request)

\*Actual loads may vary.

\*Note: Diameter A: PVC Coating removed, steel cable only.  
Diameter B: PVC Coating not removed.

*Diameter (in)		*MBF (lb)	Construction	Price / ft	Part Number
A	B				
1/8	3/16	1700	7 x 7	STOCKED	WRSS-PVC-1/8
3/16	1/4	3700	7 x 19	STOCKED	WRSS-PVC1/4"
1/4	5/16	6400	7 x 19	STOCKED	WRSS-PVC5/16"
5/16	3/8	9000	7 x 19	STOCKED	WRSS-PVC3/8"

## Wire Rope - 1x7, Seizing, Steel Core, Stainless

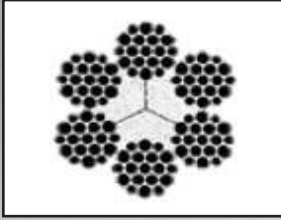


- Material: Improved Plow Steel (Grade 1770), 316 Stainless (ANSI 316)
- Standard: ASTM A492
- Finish: Stainless Steel, Lube: Dry
- Construction: 1x7
- Lay: ROL (sZ) / Core: IWRC

Diameter (in)	Construction	Price / ft	Part Number
1/16	1 x 7	STOCKED	WR-1x7-1/16"

\*Actual loads may vary.

**Wire Rope - 6x19, Trawl Warp, Fiber Core, Galvanized & Greased**

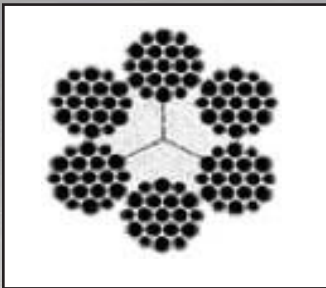


- Material: Improved Plow Steel (Grade 1770)
- Standard: ISO 2408, RR-W-410G, API-9A
- Finish: Drawn Galvanized, Lube: A1 Light Lube
- Lay: ROL (sZ) / Core: FC
- Construction: 6x19
- Certification: Manufacturers (on request)

\*Actual loads may vary.

Diameter (in)	*MBF (lb)	Weight / ft (lb)	Price / ft	Part Number
3/8	12 200	0.24	STOCKED	WR-6X19-3/8"
7/16	16 540	0.32	STOCKED	WR-6X19-7/16"
1/2	21 400	0.42	STOCKED	WR-6X19-1/2"
9/16	27 000	0.53	STOCKED	WR-6X19-9/16"
5/8	33 400	0.66	STOCKED	WR-6X19-5/8"
3/4	47 600	0.95	STOCKED	WR-6X19-3/4"

**Wire Rope - 6x19, Bridle Wire, Fiber Core, Galvanized**

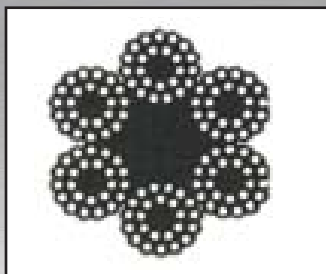


- Material: Improved Plow Steel (Grade 1770)
- Standard: ISO 2408, RR-W-410G, API-9A
- Finish: Drawn Galvanized, Lube: Dry
- Lay: ROL (sZ) / Core: FC
- Construction: 6x19
- Certification: Manufacturers (on request)

\*Actual loads may vary.

Diameter (in)	*MBF (lb)	Weight / ft (lb)	Price / ft	Part Number
3/8	12 200	0.24	STOCKED	WRD-6X19-3/8"
1/2	21 400	0.42	STOCKED	WRD-6X19-1/2"
9/16	27 000	0.53	STOCKED	WRD-6X19-9/16"
5/8	33 400	0.66	STOCKED	WRD-6X19-5/8"
3/4	47 600	0.95	STOCKED	WRD-6X19-3/4"
7/8	64 400	1.29	STOCKED	WR-6X19-7/8"

**Wire Rope - 6x24, Fiber Core, Galvanized**



- Material: Improved Plow Steel (Grade 1770)
- Standard: ISO 2408, RR-W-410G, API-9A
- Finish: Drawn Galvanized, Lube: Dry
- Lay: ROL (sZ) / Core: FC
- Construction: 6x24
- Certification: Manufacturers (on request)

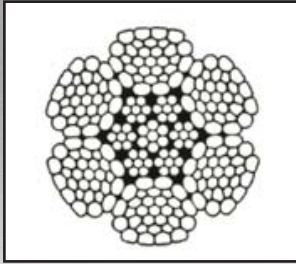
\*Actual loads may vary.

Diameter (in)	*MBF (lb)	Weight / ft (lb)	Price / ft	Part Number
9/16	21 200	0.44	STOCKED	WR-6X24-9/16"
5/8	26 000	0.54	STOCKED	WR-6X24-5/8"
3/4	26 000	0.54	STOCKED	WR-6X24-3/4"





## Wire Rope - 6x26, Regular Swaged WS, Steel Core, Bright & Greased

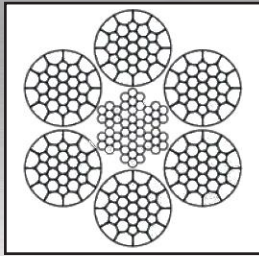


- Material: Extra Improved Plow Steel (Grade 1960)
- Standard: ISO 2408, RR-W-410G, API-9A
- Finish: Bright, Lube: A1 Light Lube
- Lay: ROL (sZ) / Core: IWRC
- Construction: 6x26, Regular Swaged
- Certification: Manufacturers (on request)

\*Actual loads may vary.

Diameter (in)	*MBF (lb)	Weight / ft (lb)	Price / ft	Part Number
3/8	18 500	0.35	STOCKED	WR-6X26RS-3/8"
1/2	31 000	0.61	STOCKED	WR-6X26RS-1/2"
9/16	39 200	0.78	STOCKED	WR-6X26RS-9/16"
5/8	48 400	0.97	STOCKED	WR-6X26RS-5/8"

## Wire Rope - 6x36, Compacted, Steel Core, Bright & Greased



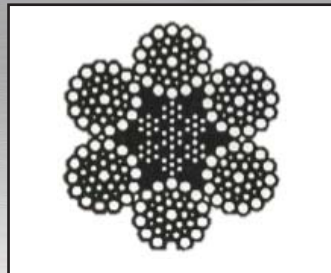
- Material: Extra Improved Plow Steel (Grade 1960)
- Standard: ISO 2408, RR-W-410G, API-9A
- Finish: Bright, Lube: A1 Light Lube
- Lay: ROL (sZ) / Core: IWRC
- Construction: 6x36, Compacted
- Certification: Manufacturers (on request)

\*Actual loads may vary.

**\* Bright \***

Diameter (in)	*MBF (lb)	Weight / ft (lb)	Qty. / Reel (ft)	Price / ft	Part Number
3/4	64 800	1.21	5000	STOCKED	WRBC-6X36-3/4"

## Wire Rope - 6x36, Steel Core, Galvanized & Greased



- Material: Improved Plow Steel (Grade 1960)
- Standard: ISO 2408, RR-W-410G, API-9A
- Finish: Drawn Galvanized, Lube: A1 Light Lube
- Lay: ROL (sZ) / Core: IWRC
- Construction: 6x36
- Certification: Manufacturers (on request)

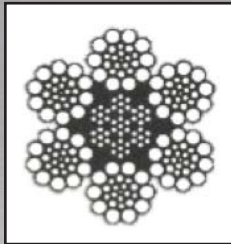
\*Actual loads may vary.

**\* Galvanized \***

Diameter (in)	*MBF (lb)	Weight / ft (lb)	Price / ft	Part Number
1-1/2	228 000	4.16	STOCKED	WRGA1-6x36-1-1/2"



## Wire Rope - 6x26, Steel Core, Bright & Greased

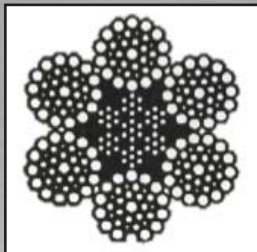


- Material: Extra Improved Plow Steel (Grade 1960)
  - Standard: ISO 2408, RR-W-410G, API-9A
  - Finish: Bright, Lube: A1 Light Lube
  - Lay: ROL (sZ) / Core: IWRC
  - Construction: 6x26
  - Certification: Manufacturers (on request)
- \*Actual loads may vary.

**\* Bright \***

Diameter (in)	*MBF (lb)	Weight / ft (lb)	Qty. / Reel (ft)	Price / ft Full Reel Only	Price / ft	Part Number
3/8	15 100	0.26	5000	STOCKED	STOCKED	WRB-6X26-3/8"
7/16	20 400	0.35	5000	STOCKED	STOCKED	WRB-6x26-7/16"
1/2	26 600	0.46	5000	STOCKED	STOCKED	WRB-6X26-1/2"
9/16	33 600	0.59	5000	STOCKED	STOCKED	WRB-6X26-9/16"
5/8	41 200	0.72	5000	STOCKED	STOCKED	WRB-6X26-5/8"
3/4	58 800	1.04	2500, 5000	STOCKED	STOCKED	WRB-6X26-3/4"
7/8	79 600	1.42	2500	STOCKED	STOCKED	WRB-6X26-7/8"
1	103 400	1.85	2500	STOCKED	STOCKED	WRB-6X26-1"
1-1/8	130 000	2.34	2500	STOCKED	STOCKED	WRB-6X26-1-1/8"

## Wire Rope - 6x36, Steel Core, Bright & Greased



- Material: Extra Improved Plow Steel (Grade 1960)
  - Standard: ISO 2408, RR-W-410G, API-9A
  - Finish: Bright, Lube: A1 Light Lube
  - Lay: ROL (sZ) / Core: IWRC
  - Construction: 6x36
  - Certification: Manufacturers (on request)
- \*Actual loads may vary.

**\* Bright \***

Diameter (in)	*MBF (lb)	Weight / ft (lb)	Qty. / Reel (ft)	Price / ft Full Reel Only	Price / ft	Part Number
5/16	10 540	0.18	5000	STOCKED	STOCKED	WRB-6X36-5/16"
3/8	15 100	0.26	5000	STOCKED	STOCKED	WRB-6X36-3/8"
7/16	20 400	0.35	5000	STOCKED	STOCKED	WRB-6X36-7/16"
1/2	26 600	0.46	5000	STOCKED	STOCKED	WRB-6X36-1/2"
9/16	33 600	0.59	5000	STOCKED	STOCKED	WRB-6X36-9/16"
5/8	41 200	0.72	5000	STOCKED	STOCKED	WRB-6X36-5/8"
3/4	58 800	1.04	5000	STOCKED	STOCKED	WRB-6X36-3/4"
7/8	79 600	1.42	2500	STOCKED	STOCKED	WRB-6X36-7/8"
1	103 400	1.85	2500	STOCKED	STOCKED	WRB-6X36-1"
1-1/16	116 700	2.10	2000	STOCKED	STOCKED	WRB-6X36-1-1/16"
1-1/8	130 000	2.34	2500	STOCKED	STOCKED	WRB-6X36-11/8"
1-1/4	159 800	2.89	2000	STOCKED	STOCKED	WRB-6X36-1-1/4"

**Wire Rope**

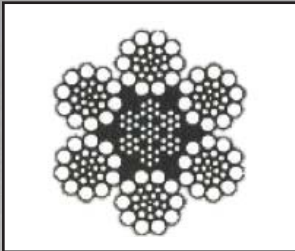


**WARNING**

NEVER EXCEED PUBLISHED WORKING LOAD LIMIT



## Wire Rope - 6x26, Steel Core, Galvanized



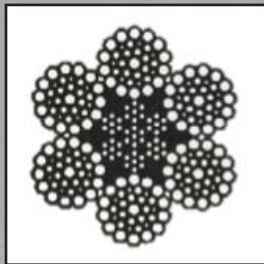
- Material: Extra Improved Plow Steel (Grade 1960)
- Standard: ISO 2408, RR-W-410G, API-9A
- Finish: Drawn Galvanized, Lube: Dry
- Lay: ROL (sZ) / Core: IWRC
- Construction: 6x26
- Certification: Manufacturers (on request)

\*Actual loads may vary.

**\* Galvanized \***

Diameter (in)	*MBF (lb)	Weight / ft (lb)	Qty. / Reel (ft)	Price / ft Full Reel Only	Price / ft	Part Number
3/8	15 100	0.26	5000	STOCKED	STOCKED	WRG-6X26-3/8"
7/16	20 400	0.35	5000	STOCKED	STOCKED	WRG-6X26-7/16"
1/2	26 600	0.46	5000	STOCKED	STOCKED	WRG-6X26-1/2"
9/16	33 600	0.59	5000	STOCKED	STOCKED	WRG-6X26-9/16"
5/8	41 200	0.72	5000	STOCKED	STOCKED	WRG-6X26-5/8"
3/4	58 800	1.04	5000	STOCKED	STOCKED	WRG-6X26-3/4"
7/8	79 600	1.42	2500	STOCKED	STOCKED	WRG-6X26-7/8"
1	103 400	1.85	2500	STOCKED	STOCKED	WRG-6X26-1"
1-1/8	130 000	2.34	2500	STOCKED	STOCKED	WRG-6X26-11/8"

## Wire Rope - 6x36, Steel Core, Galvanized



- Material: Extra Improved Plow Steel (Grade 1960)
- Standard: ISO 2408, RR-W-410G, API-9A
- Finish: Drawn Galvanized, Lube: Dry
- Lay: ROL (sZ) / Core: IWRC
- Construction: 6x36
- Certification: Manufacturers (on request)

\*Actual loads may vary.

**\* Galvanized \***

Diameter (in)	*MBF (lb)	Weight / ft (lb)	Qty. / Reel (ft)	Price / ft Full Reel Only	Price / ft	Part Number
1/4	6800	0.12	5000	STOCKED	STOCKED	WR-6X36-1/4"
5/16	10 540	0.18	5000	STOCKED	STOCKED	WR-6X36-5/16"
3/8	15 100	0.26	5000	STOCKED	STOCKED	WR-6X36-3/8"
7/16	20 400	0.35	5000	STOCKED	STOCKED	WR-6X36-7/16"
1/2	26 600	0.46	5000	STOCKED	STOCKED	WR-6X36-1/2"
5/8	41 200	0.72	5000	STOCKED	STOCKED	WR-6X36-5/8"
3/4	58 800	1.04	5000	STOCKED	STOCKED	WR-6X36-3/4"
7/8	79 600	1.42	2500	STOCKED	STOCKED	WR-6X36-7/8"
1	103 400	1.85	2500	STOCKED	STOCKED	WR-6X36-1"
1-1/8	130 000	2.34	2500	STOCKED	STOCKED	WR-6X36-11/8"
1-1/4	159 800	2.89	2500	STOCKED	STOCKED	WR-6X36-11/4"
1-3/8	192 000	3.50	2000, 3000	STOCKED	STOCKED	WR-6X36-1-3/8"
1-1/2	228 000	4.16	1500, 2000, 2165	STOCKED	STOCKED	WR-6X36-11/2"
1-3/4	306 000	5.67	2000	STOCKED	STOCKED	WR-6X36-1-3/4"
2	396 000	7.39	1500	STOCKED	STOCKED	WR-6X36-2"
2-1/4	494 000	9.36	1200	Pricing on Request		WR-6X36-2-1/4"
2-1/2	604 000	11.6	1000			WR-6X36-2-1/2"
3	936 000	16.6	1000			WR-6X36-3"

Wire Rope

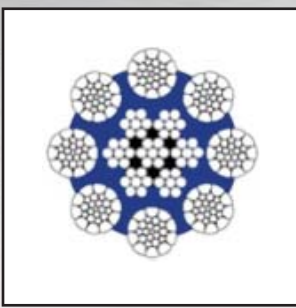




**Wire Rope - 8x26, Boom Rope, Bright & Greased**

Improved Fatigue and Abrasion Resistance because of plastic filled between the steel core and the outer strands. FlexTec rope has excellent abrasion resistance and fatigue resistance by keeping out water and abrasive elements that could penetrate conventional ropes. Improved service life for crane usage, because of the plastic filled in the FlexTec; it can absorb shock and reduce the peak loading of wire rope under high dynamic loadings. Two times service life can be achieved compared to conventional ropes.

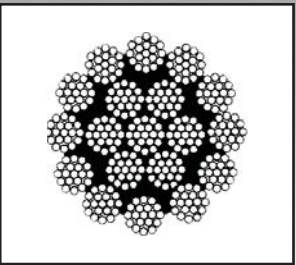
- Material: Extra Improved Plow Steel (Grade 1960)
  - Standard: ISO 2408, RR-W-410G, API-9A
  - Finish: Bright, Lube: A1 Light Lube
  - Lay: ROL (sZ) / Core: IWRC
  - Construction: 8x26
  - Certification: Manufacturers (on request)
  - Rated in Metric Ton(s)
- \*Actual loads may vary.



- Rotation - resistance
- High structural stability
- High breaking load
- High Flexibility
- Safe to shape-damage
- Prevents abrasion and break among internal wires
- Extended life of winch drum and sheave
- Suitable for Tower Crane
- Excellent life time
- Extremely reduces internal stress

Diameter (mm)	*MBF (t)	Approx. Weight (kg/m)	Qty. / Reel (ft)	Price / ft	Part Number
16	23.0 (50 700 lb)	1.17 (0.78 lb / ft.)	910	STOCKED	WR-8X26-16MM
18	29.0 (64 000 lb)	1.48 (0.99 lb / ft.)	660, 952	STOCKED	WR-8X26-18MM

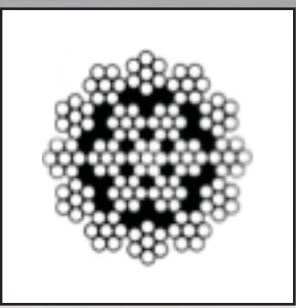
**Wire Rope - 18x19S, Rotation Resistant, Steel Core, Bright & Greased**



- Material: Extra Improved Plow Steel (Grade 1960)
  - Standard: ISO 2408, RR-W-410G, API-9A
  - Finish: Bright, Lube: A1 Light Lube
  - Lay: ROL (sZ) / Core: IWRC
  - Construction: 18x19, Seale Construction
  - Certification: Manufacturers (on request)
- \*Actual loads may vary.

Diameter (in)	*MBF (lb)	Weight / ft (lb)	Price / ft	Part Number
9/16	27 200	0.70	STOCKED	WR-18X19-9/16"
5/8	33 600	0.86	STOCKED	WR-18X19-5/8"
3/4	48 000	1.24	STOCKED	WR-18X19-3/4"
7/8	65 000	1.69	STOCKED	WR-18X19-7/8"

**Wire Rope - 19x7, Rotation Resistant, Steel Core, Bright & Greased**



- Material: Extra Improved Plow Steel (Grade 1960)
  - Standard: ISO 2408, RR-W-410G, API-9A
  - Finish: Bright, Lube: A1 Light Lube
  - Lay: ROL (sZ) / Core: IWRC
  - Construction: 19x7
  - Certification: Manufacturers (on request)
- \*Actual loads may vary.

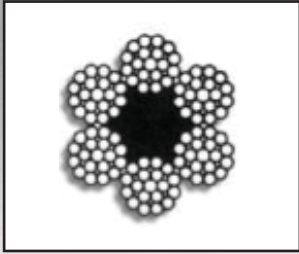
Diameter (in)	*MBF (lb)	Weight / ft (lb)	Price / ft	Part Number
1/4	5540	0.11	STOCKED	WR-19X7-1/4"
5/16	8600	0.18	STOCKED	WR-19X7-5/16"
3/8	12 300	0.25	STOCKED	WR-19X7-3/8"
7/16	16 660	0.35	STOCKED	WR-19X7-7/16"
1/2	21 600	0.45	STOCKED	WR-19X7-1/2"
9/16	27 200	0.58	STOCKED	WR-19X7-9/16"
5/8	33 600	0.71	STOCKED	WR-19X7-5/8"
3/4	48 000	1.02	STOCKED	WR-19X7-3/4"

**Wire Rope**





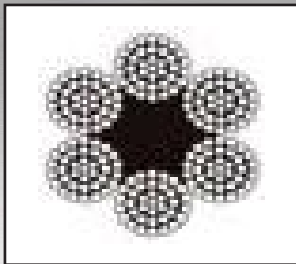
## Wire Rope - 6x25, Trolley & Hoists Rope, Fiber Core, Bright & Greased



- Material: Improved Plow Steel (Grade 1770)
  - Standard: ISO 2408, RR-W-410G, API-9A
  - Finish: Bright, Lube: A1 Light Lube
  - Lay: ROL (sZ) / Core: FC
  - Construction: 6x25
  - Certification: Manufacturers (on request)
- \*Actual loads may vary.

Diameter (in)	*MBF (lb)	Approx. Weight / ft (lb)	Price / ft	Part Number
3/8	12 200	0.24	STOCKED	WR-6X25-3/8"
1/2	21 400	0.42	STOCKED	WR-6X25-1/2"
3/4	47 600	0.95	STOCKED	WR-6X25-3/4"
7/8	64 400	1.29	STOCKED	WR-6X25-7/8"

## Wire Rope - 6x37, Fiber Core, Bright & Greased



- Material: Improved Plow Steel (Grade 1770)
  - Standard: ISO 2408, RR-W-410G, API-9A
  - Finish: Bright, Lube: A1 Light Lube
  - Lay: ROL (sZ) / Core: FC
  - Construction: 6x37
  - Certification: Manufacturers (on request)
- \*Actual loads may vary.

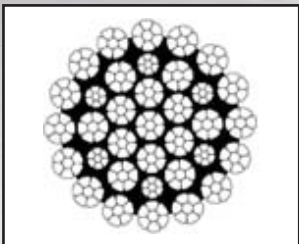
Diameter (in)	*MBF (lb)	Weight / ft (lb)	Price / ft	Part Number
7/16	16 540	0.35	STOCKED	WR-6X37-7/16"
1/2	21 400	0.46	STOCKED	WR-6X37-1/2"
5/8	33 400	0.72	STOCKED	WR-6X37-5/8"

## Wire Rope - 35x7, Compacted, Hoist Rope, Bright & Greased

By flattening the surface of outer wires of each strand, this plane contacting lay construction has a flat touch area of outer wires comparing round strand type rope. This flat touch area enables longer life of each wire before breaking. While designing this construction, we emphasized the optimal balance between high tensile strength, fatigue resistance, and structural stability. These ropes are widely used in various applications such as crane, fishing and mining.

- Rotation - resistance
- High structural stability
- High breaking load
- Strong against abrasion
- Safe to shape-damage
- Extended life of winch drum and sheave
- Suitable for Tower Crane
- Excellent life time

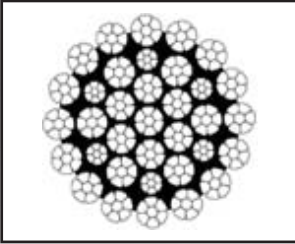
- Material: Extra Improved Plow Steel (Grade 1960)
  - Standard: ISO 2408, RR-W-410G, API-9A
  - Finish: Bright, Lube: A1 Light Lube
  - Lay: ROL (sZ) / Core: IWRC
  - Construction: 35x7, Compacted
  - Certification: Manufacturers (on request)
  - Rated in Metric Ton(s)
- \*Actual loads may vary.



Diameter (mm)	*MBF (t)	Approx. Weight (kg/m)	Price / ft (≥ 1000 ft)	Price / ft (< 1000 ft)	Part Number
14	17.1 (37 770 lb)	0.974 (0.65 lb / ft)	STOCKED	STOCKED	WRI-35X7-14MM
15	20.4 (44 900 lb)	1.015 (0.68 lb / ft)	STOCKED	STOCKED	WRI-35X7-15MM
16	22.8 (50 360 lb)	1.272 (0.85 lb / ft)	STOCKED	STOCKED	WRI-35X7-16MM
18	27.9 (61 600 lb)	1.610 (1.08 lb / ft)	STOCKED	STOCKED	WRI-35X7-18MM
19	31.3 (69 020 lb)	1.794 (1.21 lb / ft)	STOCKED	STOCKED	WRI-35X7-19MM
20	34.8 (76 660 lb)	1.988 (1.34 lb / ft)	STOCKED	STOCKED	WRI-35X7-20MM
22	42.3 (93 300 lb)	2.405 (1.62 lb / ft)	STOCKED	STOCKED	WRI-35X7-22MM
26	60.0 (132 190 lb)	3.360 (2.26 lb / ft)	STOCKED	STOCKED	WRI-35X7-26MM
28	68.9 (151 970 lb)	3.896 (2.62 lb / ft)	STOCKED	STOCKED	WRI-35X7-28MM

Wire Rope

## Wire Rope - 35x7, Compacted, Hoist Rope, Bright & Greased

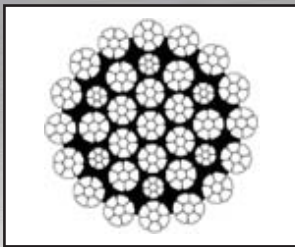


- Material: Extra Extra Improved Plow Steel (Grade 2160)
  - Standard: ISO 2408, RR-W-410G, API-9A
  - Finish: Bright, Lube: A1 Light Lube
  - Lay: RLL (zZ) / Core: IWRC
  - Construction: 35x7, Compacted
  - Certification: Manufacturers (on request)
  - Rated in Metric Ton(s)
- \*Actual loads may vary.

- Rated in Metric Ton(s)
- \*Actual loads may vary.

Diameter (mm)	*MBF (t)	Approx. Weight (kg/m)	Price / ft (≥ 1000 ft)	Price / ft (< 1000 ft)	Part Number
19	35.1 (77 330 lb)	1.86	STOCKED	STOCKED	WR-35X7-19MM2160

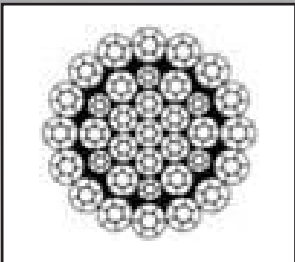
## Wire Rope - 35x7, Compacted, Hoist Rope, Bright & Greased



- Material: Extra Improved Plow Steel (Grade 1960)
  - Standard: ISO 2408, RR-W-410G, API-9A
  - Finish: Bright, Lube: A1 Light Lube
  - Lay: RLL (zZ) / Core: IWRC
  - Construction: 35xK7, Compacted
  - Certification: Manufacturers (on Request)
- \*Actual loads may vary.

Diameter (in)	*MBF (lb)	Approx. Weight (lb/ft)	Price / ft (≥ 1000 ft)	Price / ft (< 1000 ft)	Part Number
1	124 800	2.26	STOCKED	STOCKED	WRI-35x7-1"

## Wire Rope - 35x7, Compacted, Non-Rotating, Steel Core, Galvanized & Greased



- Material: Extra Improved Plow Steel (Grade 1960)
  - Standard: ISO 2408, RR-W-410G, API-9A
  - Finish: Drawn Galvanized, Lube: A1 Light Lube
  - Lay: RLL (zZ) / Core: IWRC
  - Construction: 35xK7, Compacted
  - Certification: Manufacturers (on request)
- \*Actual loads may vary.

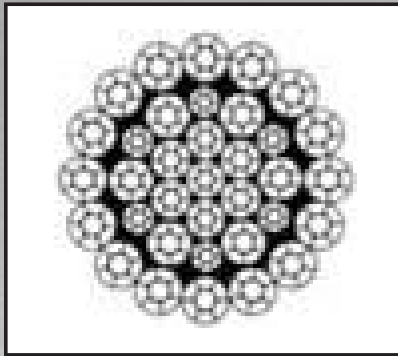
Diameter (mm)	*MBF (lb)	Weight / ft (lb)	Price / ft (≥ 1000 ft)	Price / ft (< 1000 ft)	Part Number
10	19 690	0.33	STOCKED	STOCKED	WRGI-35X7-10MM
12	27 880	0.48	STOCKED	STOCKED	WRGI-35X7-12MM
16	50 360	0.85	STOCKED	STOCKED	WRGI-35X7-16MM
18	61 600	1.08	STOCKED	STOCKED	WRGI-35X7-18MM





## Wire Rope - 35x7, Compacted, Non-Rotating, Steel Core, Galvanized & Greased

By flattening the surface of outer wires of each strand, this plane contacting lay construction has a flat touch area of outer wires comparing round strand type rope. This flat touch area enables longer life of each wire before breaking. While designing this construction, we emphasized the optimal balance between high tensile strength, fatigue resistance, and structural stability. These ropes are widely used in various applications such as crane, fishing and mining.



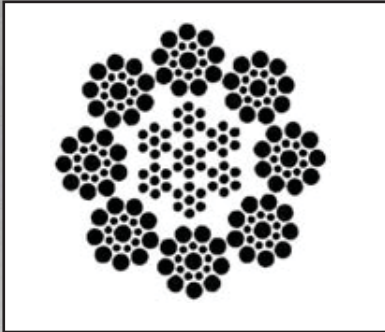
- Material: Extra Extra Improved Plow Steel (Grade 2160)
  - Standard: ISO 2408, RR-W-410G, API-9A
  - Finish: Drawn Galvanized, Lube: A1 Light Lube
  - Lay: RLL (zZ) / Core: IWRC
  - Construction: 35xK7, Compacted
  - Certification: Manufacturers (on request)
- \*Actual loads may vary.

Diameter (mm)	*MBF (lb)	Weight / ft (lb)	Price / ft (≥ 1000 ft)	Price / ft (< 1000 ft)	Part Number
10	22 100	0.35	STOCKED	STOCKED	WRG-35X7-10MM
12	31 470	0.50	STOCKED	STOCKED	WRG-35X7-12MM
13	36 420	0.56	STOCKED	STOCKED	WRG-35X7-13MM
14	42 260	0.65	STOCKED	STOCKED	WRG-35X7-14MM
15	49 600	0.75	STOCKED	STOCKED	WRG-35X7-15MM
16	56 430	0.89	STOCKED	STOCKED	WRG-35X7-16MM
18	69 240	1.08	STOCKED	STOCKED	WRG-35X7-18MM
19	77 330	1.25	STOCKED	STOCKED	WRG-35X7-19MM
20	85 900	1.34	STOCKED	STOCKED	WRG-35X7-20MM
22	104 800	1.62	STOCKED	STOCKED	WRG-35X7-22MM
24	124 770	1.92	STOCKED	STOCKED	WRG-35X7-24MM
26	148 400	2.26	STOCKED	STOCKED	WRG-35X7-26MM
28	170 400	2.62	STOCKED	STOCKED	WRG-35X7-28MM
30	198 400	3.05	STOCKED	STOCKED	WRG-35X7-30MM
32	220 300	3.42	STOCKED	STOCKED	WRG-35X7-32MM

Wire Rope



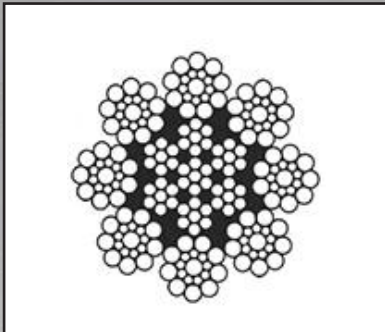
## Wire Rope - 8X19, SEALE, IWRC 1960 N/MMF, Galvanized, A-2 Lube



- Material: Extra Improved Plow Steel (Grade 1960)
  - Standard: ISO 2408, RR-W-410G, API-9A
  - Finish: Drawn Galvanized, Lube: A2 Lube
  - Lay: RLL and LRL / Core: IWRC
  - Construction: 8x19
  - Certification: Manufacturers (on request)
- \*Actual loads may vary.

Diameter (mm)	*MBF (lb)	Weight / ft (lb)	Lay	Price / ft	Part Number
7	7688	0.16	RRL	STOCKED	WR-8X19-7MMRRL
7	7688	0.16	LRL	STOCKED	WR-8X19-7MMLRL
7.5	8813	0.18	RRL	STOCKED	WR-8X19-7.5MMRRL
8	10 049	0.20	RRL	STOCKED	WR-8X19-8MMRRL
8	10 049	0.20	LRL	STOCKED	WR-8X19-8MMLRL
9	12 701	0.24	RRL	STOCKED	WR-8X19-9MMRRL
9	12 701	0.24	LRL	STOCKED	WR-8X19-9MMLRL
10	15 691	0.31	RRL	STOCKED	WR-8X19-10MMRRL
10	15 691	0.31	LRL	STOCKED	WR-8X19-10MMLRL

## Wire Rope - 8X36, SEALE, IWRC 1960 N/MMF, Galvanized, A-2 Lube



- Material: Extra Improved Plow Steel (Grade 1960)
  - Standard: ISO 2408, RR-W-410G, API-9A
  - Finish: Drawn Galvanized, Lube: A2 Lube
  - Lay: RLL and LRL / Core: IWRC
  - Construction: 8x36
  - Certification: Manufacturers (on request)
- \*Actual loads may vary.

Diameter (mm)	*MBF (lb)	Weight / ft (lb)	Lay	Price / ft	Part Number
11	18 973	0.36	RRL	STOCKED	WR-8X36-11MMRRL
11	18 973	0.36	LRL	STOCKED	WR-8X36-11MMLRL
12	22 480	0.43	RRL	STOCKED	WR-8X36-12MMRRL
12	22 480	0.43	LRL	STOCKED	WR-8X36-12MMLRL
13	26 526	0.52	RRL	STOCKED	WR-8X36-13MMRRL
13	26 526	0.52	LRL	STOCKED	WR-8X36-13MMLRL
14	30 798	0.60	RRL	STOCKED	WR-8X36-14MMRRL
14	30 798	0.60	LRL	STOCKED	WR-8X36-14MMLRL
16	40 239	0.77	RRL	STOCKED	WR-8X36-16MMRRL
16	40 239	0.77	LRL	STOCKED	WR-8X36-16MMLRL
18	50 805	0.97	RRL	STOCKED	WR-8X36-18MMRRL
18	50 805	0.97	LRL	STOCKED	WR-8X36-18MMLRL
20	62 719	1.21	RRL	STOCKED	WR-8X36-20MMRRL
20	62 719	1.21	LRL	STOCKED	WR-8X36-20MMLRL



**WARNING**

NEVER EXCEED PUBLISHED WORKING LOAD LIMIT



## Brunton Shaw - "British Made"

With over 150 years' experience Brunton Shaw UK is a globally oriented and preferred supplier of high-tech wire ropes towards mining, crane, fishing, oil & energy, offshore wind, ports & container terminals.

Please find a careful selection of our capabilities through our range of;

- OCEANMAX - OIL & ENERGY and OFFSHORE WIND: compacted wire ropes available in non-rotating, 6-strand and multi-strand constructions.
- CRANEMAX - INDUSTRIAL CRANE APPLICATIONS: compacted wire ropes available in non-rotating, 6-strand and multi-strand constructions.
- TRAWLMASTER & TUNAMASTER - FISHING: available in 6-strand, compacted and non-compact, FC or IWRC.

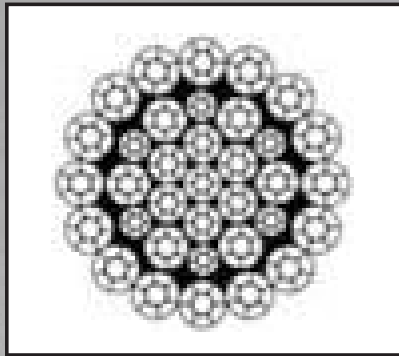
With our steel wire ropes being specifically aimed at and designed in conjunction with our respected customer base, we ensure the continuous upholding of our reputation for high quality and reliability. Brunton Shaw UK are constantly investing in new technology and developing new products to meet our customer's requirements.

But we do not stop here.

For any other enquiries, please contact your local dealer.



**Wire Rope - 35x7, Compacted, Non-Rotating, Steel Core, Galvanized with A2 Lube**



- Material: Extra Extra Improved Plow Steel (Grade 2160)
- Standard: ISO 2408, RR-W-410G, API-9A
- Finish: Drawn Galvanized, Lube: A2 Light Lube
- Lay: RHLL / Core: IWRC
- Construction: 35xK7, Compacted
- Certification: Manufacturers (on request)
- Other features, such as MBF, dimensions, lay type and plastic filled can be designed on request

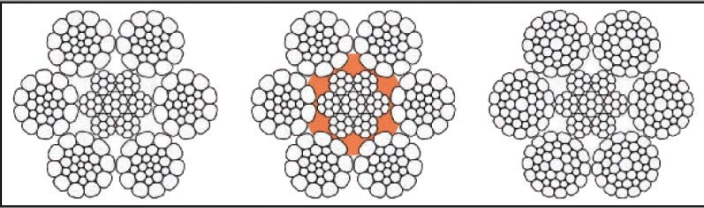
Diameter (mm)	Diameter (in)	*MBF (lb)	Weight / ft (lb)	Price / ft (≥ 1000 ft)	Price / ft (< 1000 ft)	Part Number
10		22 487	0.32	P.O.R.	P.O.R.	WRG-35X7-16MMWSC
11		27 117	0.39	P.O.R.	P.O.R.	WRG-35X7-11MMWSC
12		32 408	0.47	P.O.R.	P.O.R.	WRG-35X7-12MMWSC
	1/2	36 156	0.53	P.O.R.	P.O.R.	WRG-35X7-1/2WSC
13		37 919	0.55	P.O.R.	P.O.R.	WRG-35X7-13MMWSC
14		44 092	0.64	P.O.R.	P.O.R.	WRG-35X7-14MMWSC
15		50 486	0.74	P.O.R.	P.O.R.	WRG-35X7-15MMWSC
	5/8	56 659	0.83	P.O.R.	P.O.R.	WRG-35X7-5/8WSC
16		57 541	0.84	STOCKED	STOCKED	WRG-35X7-16MMWSC
17		65 036	0.95	P.O.R.	P.O.R.	WRG-35X7-17MMWSC
18		72 752	1.07	STOCKED	STOCKED	WRG-35X7-18MMWSC
19	3/4	81 130	1.21	P.O.R.	P.O.R.	WRG-35X7-19MMWSC
20		89 948	1.34	STOCKED	STOCKED	WRG-35X7-20MMWSC
22		108 688	1.63	STOCKED	STOCKED	WRG-35X7-22MMWSC
	7/8	111 113	1.66	P.O.R.	P.O.R.	WRG-35X7-7/8WSC
23		118,851	1.73	STOCKED	STOCKED	WRG-35X7-23MMWSC
24		129 411	1.94	P.O.R.	P.O.R.	WRG-35X7-24MMWSC
25		140 434	2.10	P.O.R.	P.O.R.	WRG-35X7-25MMWSC
	1	145 064	2.17	P.O.R.	P.O.R.	WRG-35X7-1WSC
26		151 898	2.27	STOCKED	STOCKED	WRG-35X7-26MMWSC
28		176 149	2.63	STOCKED	STOCKED	WRG-35X7-28MMWSC
	1-1/8	183 424	2.74	P.O.R.	P.O.R.	WRG-35X7-1-1/8WSC
30		202 164	3.02	P.O.R.	P.O.R.	WRG-35X7-30MMWSC
	1-1/4	227 076	3.39	P.O.R.	P.O.R.	WRG-35X7-1-1/4WSC
32		229 280	3.44	P.O.R.	P.O.R.	WRG-35X7-32MMWSC
34		260 145	3.88	P.O.R.	P.O.R.	WRG-35X7-34MMWSC
35	1-3/8	273 373	4.10	P.O.R.	P.O.R.	WRG-35X7-35MMWSC
36		291 010	4.36	P.O.R.	P.O.R.	WRG-35X7-36MMWSC
38	1-1/2	324 079	4.85	P.O.R.	P.O.R.	WRG-35X7-38MMWSC
40		359 353	5.38	P.O.R.	P.O.R.	WRG-35X7-40MMWSC

Wire Rope





### Wire Rope - Oceanmax 6D, Drilling Lines

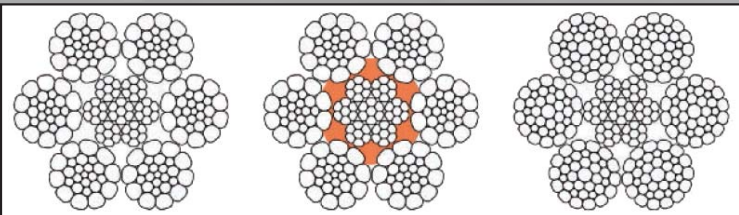


- Compliant to international standards.
- High fatigue resistance.
- High dimensional stability.
- Enhanced sheave imprinting resistance if dual strength.

Nominal Diameter		Mass				Minimum Breaking	
Metric	Imperial	Metric		Imperial		Force	Load
		Air	Water	Air	Water	EIPS / 1960	EIPS / 1960
mm	in	kg/m	kg/m	lb/ft	lb/ft	kN	Tonnes
28.6	1 1/8	3.71	3.15	2.50	2.12	686	69.9
31.8	1 1/4	4.58	3.89	3.08	2.62	833	84.9
34.9	1 3/8	5.53	4.70	3.72	3.16	1000	102
38.1	1 1/2	6.58	5.59	4.43	3.77	1170	119
41.3	1 5/8	7.71	6.55	5.19	4.41	1380	141
44.5	1 3/4	8.95	7.61	6.03	5.12	1590	162
50.8	2	11.7	9.95	7.88	6.70	2010	205

• These figures are for guidance only. Other features, such as MBF, dimensions, lay and plastic fill can be designed on request.

### Wire Rope - Oceanmax 6RT, Riser Tensioner



- Compliant to international standards.
- High fatigue resistance.
- High dimensional stability.
- Enhanced sheave imprinting resistance if dual strength.

Nominal Diameter		Mass				Minimum Breaking			
Metric	Imperial	Metric		Imperial		Force		Load	
		Air	Water	Air	Water	1770 dual	IPS/1770	1770 dual	IPS/1770
mm	in	kg/m	kg/m	lb/ft	lb/ft	kN	kN	Tonnes	Tonnes
44		8.71	7.41	5.87	4.99	1450	1530	148	156
	1 3/4	8.89	7.56	5.99	5.09	1480	1560	151	159
48	1 7/8	10.4	8.81	6.98	5.93	1730	1820	176	186
	2	11.6	9.87	7.82	6.65	1940	2040	198	208
52		12.2	10.3	8.19	6.96	2030	2140	207	218
54	2 1/8	13.1	11.2	8.83	7.51	2190	2300	223	234
56		14.1	12.0	9.50	8.08	2350	2480	240	253
58	2 1/4	15.1	12.9	10.2	8.66	2520	2660	257	271
60	2 3/8	16.4	13.9	11.0	9.37	2730	2870	278	293
64	2 1/2	18.4	15.7	12.4	10.5	3070	3240	313	330
	2 5/8	20.0	17.0	13.5	11.4	3330	3510	339	358
70	2 3/4	22.1	18.7	14.8	12.6	3680	3870	375	394
73	2 7/8	24.0	20.4	16.2	13.7	4000	4210	408	429
76		26.0	22.1	17.5	14.9	4330	4560	441	465

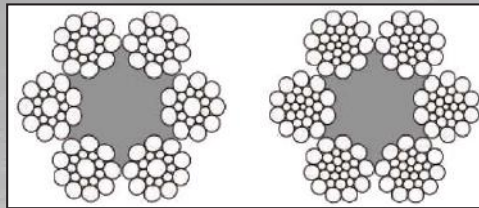
• These figures are for guidance only. Other features, such as MBF, dimensions, lay and plastic fill can be designed on request.

Wire Rope



### Wire Rope - *Trawlstar, FC*

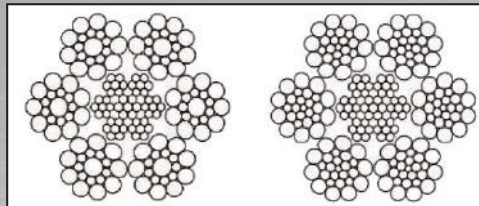
Diameter	Mass	Minimum Breaking	
		Force	Load
mm	kg/m	kN	Tons
14	0.696	111	11.3
16	0.909	145	14.8
18	1.15	184	18.7
20	1.42	227	23.1
22	1.72	274	28.0
24	2.04	327	33.3
26	2.40	383	39.1
28	2.90	423	43.1
30	3.33	485	49.4
32	3.79	552	56.3
34	4.28	623	63.5
36	4.80	699	71.2
38	5.34	778	79.3
40	5.92	862	87.9
42	6.53	951	96.9
44	7.16	1040	106



- 19S or 26WS strand construction
- High density fiber core.
- These figures are for guidance only. Other features, such as MBF, dimensions and lay type can be designed on request.
- Heavy galvanization or zinc aluminium coating are available on demand.
- If not otherwise required, ropes are supplied in 19S construction up to 26 mm and 26WS construction from 28 mm.

### Wire Rope - *Trawlstar, IWRC*

Diameter	Mass	Minimum Breaking	
		Force	Load
mm	kg/m	kN	Tons
14	0.790	120	12.2
16	1.03	156	15.9
18	1.31	198	20.1
20	1.61	244	24.9
22	1.95	295	30.1
24	2.32	351	35.8
26	2.72	412	42.0
28	3.31	456	46.4
30	3.80	523	53.3
32	4.32	595	60.6
34	4.88	672	68.5
36	5.47	753	76.8
38	6.09	839	85.5
40	6.75	930	94.8
42	7.44	1020	104
44	8.17	1120	114



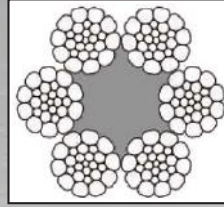
- 19S or 26WS strand construction
- High radial stiffness and stability.
- These figures are for guidance only. Other features, such as MBF, dimensions and lay type can be designed on request.
- Heavy galvanization or zinc aluminium coating are available on demand.
- If not otherwise required, ropes are supplied in 19S construction up to 26 mm and 26WS construction from 28 mm.

Wire Rope



**Wire Rope - Trawlmaster, FC**

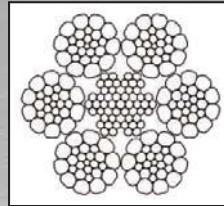
Diameter	Mass	Minimum Breaking	
		Force	Load
mm	kg/m	kN	Tons
14	0.770	132	13.4
16	1.01	172	17.5
18	1.27	217	22.2
20	1.57	268	27.4
22	1.90	325	33.1
24	2.26	386	39.4
26	2.66	454	46.2
28	3.08	526	53.6
30	3.54	604	61.6
32	4.02	687	70.0
34	4.54	776	79.1
36	5.09	870	88.6
38	5.67	969	98.8
40	6.29	1070	109
42	6.93	1180	120
44	7.61	1300	133



- 26WS compacted strands
- Smooth contact surface.
- These figures are for guidance only. Other features, such as MBF, dimensions and lay type can be designed on request.
- Heavy galvanization or zinc aluminium coating are available on demand.

**Wire Rope - Trawlstar, IWRC**

Diameter	Mass	Minimum Breaking	
		Force	Load
mm	kg/m	kN	Tons
14	0.860	144	14.7
16	1.12	188	19.2
18	1.42	238	24.2
20	1.76	294	29.9
22	2.12	355	36.2
24	2.53	423	43.1
26	2.97	496	50.6
28	3.44	575	58.7
30	3.95	661	67.3
32	4.50	752	76.6
34	5.07	849	86.5
36	5.69	951	97.0
38	6.34	1060	108
40	7.02	1170	119
42	7.74	1290	131
44	8.50	1420	145

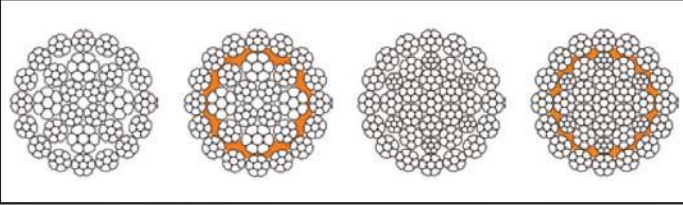


- 26WS compacted strands
- Optional plastic impregnation or coating.
- These figures are for guidance only. Other features, such as MBF, dimensions and lay type can be designed on request.
- Heavy galvanization or zinc aluminium coating are available on demand.

Wire Rope



**Wire Rope - Cranemax, M35X, Shock resistant**



- Good shock resistance.
- High radial stiffness and rotational stability.
- Enhanced resistance to fleet angle if plastic impregnated.

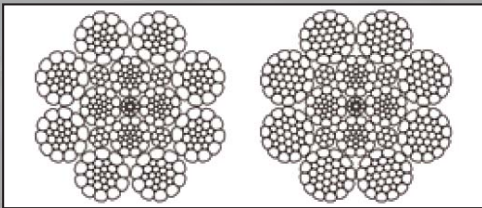
Diameter		Metallic area		Mass		MBF		
mm	in	mm <sup>2</sup>	in <sup>2</sup>	kg/m	lb/ft	kN	Tonnes	kips
	5/8	143	0.221	1.23	0.830	234	23.9	52.7
16		145	0.224	1.25	0.843	238	24.3	53.6
17		163	0.253	1.42	0.952	269	27.4	60.5
18		183	0.284	1.59	1.07	301	30.7	67.8
19	3/4	204	0.316	1.77	1.19	336	34.2	75.5
20		226	0.351	1.96	1.32	372	37.9	83.7
22		274	0.424	2.37	1.59	450	45.9	101
	7/8	279	0.433	2.42	1.63	459	46.8	103
24		326	0.505	2.82	1.90	536	54.6	121
25		353	0.548	3.06	2.06	581	59.3	131
	1	365	0.565	3.16	2.12	600	61.2	135
26		382	0.593	3.31	2.23	629	64.1	141
28		443	0.687	3.84	2.58	729	74.3	164
	1 1/8	462	0.716	4.00	2.69	759	77.4	171
30		509	0.789	4.41	2.96	837	85.3	188
	1 1/4	570	0.884	4.94	3.32	937	95.6	211
32		579	0.898	5.02	3.37	952	97.1	214
34		654	1.01	5.66	3.81	1080	110	242
35	1 3/8	690	1.07	5.98	4.02	1130	116	255
36		733	1.14	6.35	4.27	1210	123	271
38	1 1/2	817	1.27	7.08	4.75	1340	137	302
40		905	1.40	7.84	5.27	1490	152	335

- These figures are for guidance only. Other features, such as MBF, dimensions, lay type and plastic fill can be designed on request.
- MBF values are referred to 1960 grade, custom values are available on demand.

Wire Rope



**Wire Rope - Cranemax, XL8K, Special hoist**



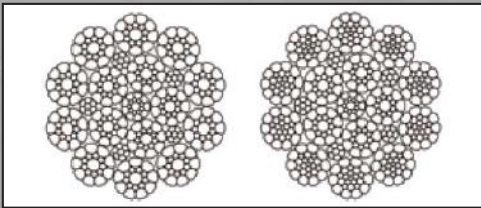
- Extermely high MBF
- Enhanced radial stiffness and diameter stability.
- High resistance to side pressure and crushing.

Diameter		Metallic area		Mass		MBF		
mm	in	mm <sup>2</sup>	in <sup>2</sup>	kg/m	lb/ft	kN	Tonnes	kips
10		57.7	0.089	0.490	0.329	102	10.4	23.0
11		69.8	0.108	0.593	0.398	123	12.6	27.8
12		83.1	0.129	0.706	0.474	147	15.0	33.1
	1/2	93.1	0.144	0.790	0.531	165	16.8	37.0
13		97.5	0.151	0.828	0.556	172	17.6	38.8
14		113	0.175	0.960	0.645	200	20.4	45.0
15		130	0.201	1.10	0.741	230	23.4	51.6
	5/8	145	0.225	1.23	0.830	257	26.2	57.8
16		148	0.229	1.25	0.843	261	26.6	58.8
17		167	0.259	1.42	0.952	295	30.0	66.3
18		187	0.290	1.59	1.07	331	33.7	74.4
19	3/4	208	0.323	1.77	1.19	368	37.5	82.9
20		231	0.358	1.96	1.32	408	41.6	91.8
22		279	0.433	2.37	1.59	494	50.3	111
	7/8	285	0.442	2.42	1.63	504	51.4	113
24		332	0.515	2.82	1.90	588	59.9	132
25		364	0.564	3.06	2.06	638	65.0	143
	1	375	0.582	3.16	2.12	658	67.1	148
26		393	0.610	3.31	2.23	690	70.3	155
28		456	0.707	3.84	2.58	800	81.5	180
	1 1/8	475	0.736	4.00	2.69	833	84.9	187
30		524	0.812	4.41	2.96	918	93.6	207
	1 1/4	586	0.909	4.94	3.32	1030	105	231

- These figures are for guidance only. Other features, such as MBF, dimensions, lay type and plastic fill can be designed on request.
- MBF values are referred to 2160 grade, custom values are available on demand.

**Wire Rope**

## Wire Rope - Cranemax, XL10K, Special hoist



- Extermely high MBF and E modulus
- Enhanced radial stiffness and diameter stability.
- High resistance to side pressure and crushing.

Diameter		Metallic area		Mass		MBF		
mm	in	mm <sup>2</sup>	in <sup>2</sup>	kg/m	lb/ft	kN	Tonnes	kips
32		627	0.971	5.12	3.44	1040	107	235
34		707	1.10	5.78	3.88	1180	120	265
35	1 3/8	746	1.16	6.10	4.10	1240	127	280
36		793	1.23	6.48	4.36	1320	135	297
38	1 1/2	884	1.37	7.22	4.85	1470	150	331
40		979	1.52	8.00	5.38	1630	166	367
41	1 5/8	1030	1.59	8.52	5.72	1740	177	391
42		1070	1.65	8.82	5.93	1800	183	405
44		1170	1.81	9.68	6.51	1970	201	444
	1 3/4	1190	1.85	9.88	6.64	2020	205	454
46		1280	1.98	10.6	7.11	2160	220	486
48	1 7/8	1390	2.16	11.5	7.74	2350	240	529
50		1510	2.34	12.5	8.40	2550	260	574
	2	1560	2.41	12.9	8.67	2630	268	592
52		1630	2.53	13.5	9.09	2730	278	615
54	2 1/8	1760	2.73	14.6	9.80	2920	297	656
56		1890	2.93	15.7	10.5	3140	320	706
58	2 1/4	2030	3.15	16.8	11.3	3330	339	749
60	2 3/8	2200	3.41	18.2	12.2	3600	367	811

- These figures are for guidance only. Other features, such as MBF, dimensions, lay type and plastic fill can be designed on request.
- MBF values are referred to 2160 grade, custom values are available on demand.

Wire Rope



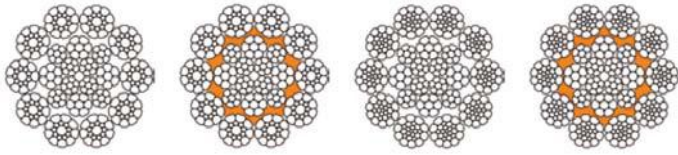
**WARNING**

NEVER EXCEED PUBLISHED WORKING LOAD LIMIT





### Wire Rope - Cranemax, M10K, Spin resistant



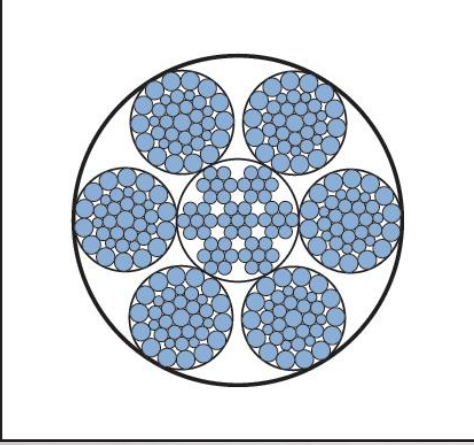
- Lower torque factor in respect to traditional hoist ropes.
- Enhanced resistance to fleet angle if plastic impregnated.
- High resistance to side pressure and crushing.
- These figures are for guidance only. Other features, such as MBF, dimensions, lay type and plastic fill can be designed on request.
- MBF values are referred to 2160 grade, custom values are available on demand.

Diameter		Metallic area		Mass		MBF		
mm	in	mm <sup>2</sup>	in <sup>2</sup>	kg/m	lb/ft	kN	Tonnes	kips
10		55.3	0.086	0.480	0.323	93.0	9.50	20.9
11		67.0	0.104	0.581	0.390	113	11.5	25.3
12		79.7	0.124	0.691	0.464	134	13.7	30.1
	1/2	89.3	0.138	0.774	0.520	150	15.3	33.8
13		93.5	0.145	0.811	0.545	157	16.0	35.4
14		108	0.168	0.941	0.632	182	18.6	41.0
15		125	0.193	1.08	0.726	209	21.3	47.1
	5/8	139	0.216	1.21	0.813	234	23.9	52.7
16		142	0.220	1.23	0.826	238	24.3	53.6
17		160	0.248	1.39	0.932	269	27.4	60.5
18		179	0.278	1.56	1.05	301	30.7	67.8
19	3/4	200	0.310	1.73	1.16	336	34.2	75.5
20		221	0.343	1.92	1.29	372	37.9	83.7
22		268	0.415	2.32	1.56	450	45.9	101
	7/8	273	0.424	2.37	1.59	459	46.8	103
24		319	0.494	2.76	1.86	536	54.6	121
25		341	0.528	3.00	2.02	575	58.6	129
	1	352	0.545	3.10	2.08	594	60.5	134
26		368	0.571	3.24	2.18	622	63.4	140
28		427	0.662	3.76	2.53	721	73.5	162
	1 1/8	445	0.690	3.92	2.63	751	76.6	169
30		491	0.760	4.32	2.90	828	84.4	186
	1 1/4	549	0.852	4.84	3.25	927	94.5	209
32		558	0.865	4.92	3.30	942	96.0	212
34		630	0.977	5.55	3.73	1060	108	239
35	1 3/8	665	1.03	5.85	3.93	1120	114	253
36		706	1.10	6.22	4.18	1190	122	268
38	1 1/2	787	1.22	6.93	4.66	1330	135	299
40		872	1.35	7.68	5.16	1470	150	331
41	1 5/8	929	1.44	8.18	5.50	1570	160	353
42		961	1.49	8.47	5.69	1620	165	365
44		1060	1.64	9.29	6.24	1780	182	401
	1 3/4	1080	1.67	9.48	6.37	1820	185	409
46		1150	1.79	10.2	6.83	1950	198	438
48	1 7/8	1260	1.95	11.1	7.43	2120	216	477
50		1360	2.11	12.0	8.06	2300	234	518

Wire Rope



**Wire Rope - Mooring Line**



Nominal Rope Dia (d)  mm	Approximate Mass (Wt)				Minimum Breaking Force (Fmin)					
	lb/ft		kg/m		FIPS 1770		EEIPS 1960		EEEEIPS 2160	
	air	Submerged wt	air	Submerged wt	1000lb	kN	1000lb	kN	1000lb	kN
38	4.16	3.51	6.19	5.22	228	1010	250	1112		
42	4.88	4.12	7.26	6.12	264	1170	292	1300		
45	5.67	4.78	8.44	7.12	306	1360	338	1500		
48	6.50	5.48	9.67	8.16	348	1550	384	1710		
52	7.39	6.23	11.00	9.28	396	1760	434	1930	499	2222
54	8.35	7.04	12.40	10.46	442	1970	488	2170	560	2492
58	9.36	7.90	13.90	11.72	494	2200	544	2420	621	2761
60	10.40	8.77	15.50	13.07	548	2440	604	2690	689	3063
64	11.60	9.78	17.30	14.59	604	2690	664	2950	757	3365
67	12.80	10.80	19.00	16.03	658	2930	728	3240	829	3689
71	14.00	11.81	20.80	17.54	736	3270	794	3530	905	4025
74	15.30	12.91	22.80	19.23	796	3540	864	3840	985	4382
77	16.60	14.00	24.70	20.83	856	3810	936	4160	1068	4751
80	18.00	15.18	26.80	22.61	920	4090	1010	4490	1151	5120
83	19.50	16.45	29.00	24.46	984	4380	1086	4830	1239	5512
87	21.00	17.71	31.30	26.40	1074	4780	1164	5180	1327	5903
90	22.70	19.15	33.80	28.51	1144	5090	1242	5520	1415	6294
96	26.00	21.93	38.70	32.64	1290	5740	1410	6270	1580	7029
103	29.60	24.97	44.00	37.11	1466	6520	1586	7050	1778	7908
108	33.40	28.17	49.70	41.92	1598	7100			2008	8928
115	37.40	31.55	55.70	46.98	1777	7900			2214	9845

**Wire Rope**



- Rigmarine's hydraulic and electric powered winch building capabilities are at the forefront of industry requirements. From specialist constant tension, deck utility and mooring winches, Rigmarine not only have the ability to provide our clients with an excellent product but also to deliver a complete package including service, recertification and skilled operators.
- Our facility – 4000 sq mtr, with 150 state of the art machining and CNC machines. Our R&D – Over 50 specialist engineers covering every aspect of winching technology. Our Quality – operating to a full ISO 9001-2000 QMS with accreditations from all major Class societies including DNV, ABS and LROS.
- The range and quality of our products have so far been of service to our clients in the following industries: Oil and Gas, Engineering, Marine, Shipbuilding, Subsea, Tele communication, Lifting and Mining.
- A selection of our most recent projects include: 40t Hydraulic constant tension lifting winches for subsea deployment, Compact 32t hydraulic lifting winches with planetary gear boxes, 35t Temporary barge mooring winches for quay side load out and a 10t Back tensioned wire spooling machine for crane wire installation.

Contact Oceanside Equipment to find a winch that will suit your customers' needs

## Winch - Hydraulic Utility



• Rated in Metric Ton(s)

Model	1" Layer Line Pull (t)	Brake Capacity (t)	Gear Type	Overall Dim. mm (W/L/H)	Drum Dim. mm (Core/W/Flange)	Wire Capacity Length / diam	Line Speed (m/min)	Weight (kg)
HU4	4	6	Planetary	810/605/550	310/405/500	180/16	16	600
HU7	7	10	Planetary	958/700/660	400/512/640	250/19	13	750
HU15	15	22.5	Planetary	1356/960/1256	600/780/942	380/28	13	1600
HU32	32	48	Planetary	1682/1258/1514	720/980/1188	420/40	13	2500
HU40	40	60	Planetary	1802/1410/1635	810/1410/1635	700/44	13	4200
HU52	52	75	Planetary	2000/1505/1750	810/1100/1700	700/52	13	5100

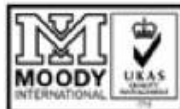
## Winch - Hydraulic Mooring, Compact



• Rated in Metric Ton(s)

Model	1" Layer Line Pull (t)	Brake Capacity (t)	Gear Type	Overall Dim. mm (W/L/H)	Drum Dim. mm (Core/W/Flange)	Wire Capacity Length / diam	Line Speed (m/min)	Weight (kg)
HM15C	15	30	Planetary	1880/1858/1164	480/850/840	350/28	30	2000
HM25C	25	50	Planetary	1530/2457/1660	600/1100/1200	650/36	30	3100
HM32C	32	64	Planetary	1990/2940/2080	850/1258/1650	1200/40	20	4200
HM40C	40	80	Planetary	1990/2940/2080	850/1258/1650	1000/44	20	4200
HM50C	50	100	Planetary	1990/2940/2080	850/1258/1650	700/52	20	4200

Winches





**Winch - Hydraulic Mooring, Standard**



• Rated in Metric Ton(s)

Model	1" Layer Line Pull (t)	Brake Capacity (t)	Gear Type	Overall Dim. mm (W/L/H)	Drum Dim. mm (Core/W/Flange)	Wire Capacity Length / diam	Line Speed (m/min)	Weight (kg)
HM10	10	15	Spur Gear	1800/1800/1500	320/420/900	150/28	12	3000
HM18	18	27	Spur Gear	1800/2252/1450	320/790/900	450/28	10	4000
HM20	20	60	Spur Gear	2350/2640/1900	400/1310/1400	1000/36	10	5500
HM25	25	90	Spur Gear	2180/2930/1860	400/1220/1450	700/44	10	6500
HM35	35	90	Spur Gear	2580/3075/1885	440/1320/1600	1000/44	10	9500
HM45	45	120	Spur Gear	3000/3230/2040	500/1550/1520	1000/44	7/21	11000
HM60	60	130	Spur Gear	3050/2900/2350	500/1344/1960	1000/50	10/20	15400
HM80	80	140	Spur Gear	3200/3840/2660	600/1700/1900	1000/52	10/20	16000
HM100	100	150	Spur Gear	3200/3840/2660	600/1700/1900	100/52	6	22500

**Winch - Hydraulic Mooring, Double Drum**



• Rated in Metric Ton(s)

Model	Config.	1" Layer Line Pull (t)	Brake Capacity (t)	Gear Type	Overall Dim. mm (W/L/H)	Drum Dim. mm (Core/W/Flange)	Wire Capacity Length / diam	Line Speed (m/min)	Weight (kg)
HM10	HM10	10	15	Spur Gear	1800/1800/1500	320/420/900	150/28	12	3000
HM18	HM18	18	27	Spur Gear	1800/2252/1450	320/790/900	450/28	10	4000
HM20	HM20	20	60	Spur Gear	2350/2640/1900	400/1310/1400	1000/36	10	5500
HM25	HM25	25	90	Spur Gear	2180/2930/1860	400/1220/1450	700/44	10	6500
HM35	HM35	35	90	Spur Gear	2580/3075/1885	440/1320/1600	1000/44	10	9500

**Winches**



**WARNING**

NEVER EXCEED PUBLISHED WORKING LOAD LIMIT

## Winch - Hydraulic Spooling



• Rated in Metric Ton(s)

Model	Max. Reel Weight (t)	Max Reel Dimension	Shaft Diameter (mm)	Back Tension Capabilities	Overall Shipping Dimensions (W/L/H)	Weight (kg)
HSM10	10	2000x2000	50	5	1400/3850/1100	2000
HSM25	25	2500x2500	50 & 75	10	2000/4200/2200	3500
HMS50	50	3500x3500	125 & 150	15	2400/5000/2400	6500
HMS100	100	4000x4000	150 & 225	25	2400/6000/2400	10500
HMS200	200	5500x5500	225 & 300	40	2400/8000/2400	14800

## Winch - Standard Air



• Rated in Metric Ton(s)

Model	1" Layer Line Pull (t)	Break Type	Overall Dim. mm (W/L/H)	Wire Capacity Length / diam	Line Speed (m/min)	Weight (kg)
HM10	10	Spur Gear	1800/1800/1500	150/28	12	3000
HM18	18	Spur Gear	1800/2252/1450	450/28	10	4000
HM20	20	Spur Gear	2350/2640/1900	1000/36	10	5500
HM25	25	Spur Gear	2180/2930/1860	700/44	10	6500
HM35	35	Spur Gear	2580/3075/1885	1000/44	10	9500
HM45	45	Spur Gear	3000/3230/2040	1000/44	7/21	11000



**Winch - Power Pack - Diesel**



• Rated in Metric Ton(s)

Model	Power (Kw)	Engine Type	Flow Rate ltr/min	Max. Pressure Bar	Frame Size (L/H/W) mm	Weight (kg)
HM10	10	Spur Gear	1800/1800/1500	150/28	12	3000
HM18	18	Spur Gear	1800/2252/1450	450/28	10	4000
HM20	20	Spur Gear	2350/2640/1900	1000/36	10	5500
HM25	25	Spur Gear	2180/2930/1860	700/44	10	6500
HM35	35	Spur Gear	2580/3075/1885	1000/44	10	9500

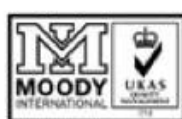
**Winch - Power Pack - Electric**



• Rated in Metric Ton(s)

Model	Power (Kw)	Tank Capacity (l)	Flow Rate ltr/min	Max. Pressure Bar	Frame Size (L/H/W) mm	Weight (kg)
HPU26E	26	950	80	350	1770/1760/1100	2200
HPU54E	54	950	140	350	1770/1863/1100	2500
HPU84E	84	950	250	350	1770/1863/1100	3000
HPU150E	150	1250	350	350	2400/2365/1330	4300
HPU300E	300	1875	700	350	2500/2200/1950	7000

**Winches**







series 4771  
for lifting or pulling  
up to 20,000 lb. Wire rope  
attachment sold separately.



series TA  
portable winch for lifting  
or pulling up to 25,000 lb.

### Tough winches for the really tough jobs.

Heavy-duty Thern winches deliver the power and durability to do the tough jobs year after year. With a large number of standard configurations and the ability to quickly build-to-order, you can turn to them with confidence.

If you need to lift it, lower it, move it or pull it around we have the perfect Thern product for you. At this moment, there are thousands of our cranes, davits, and winches working smoothly and efficiently in plants of every description. These range from hand winches as small as 500 lb capacity up to power winches rated at up to 100,000 lb. And cranes - portable or fixed - with capacities from 500 to 2200 lb.

### When you have to move on the move...

Construction, manufacturing and process sites have plenty of general pulling and lifting jobs where overhead hoists or fixed installations are impractical. Atlas compact power winches lift or pull with 2,000 lb of force and are easily moved from place to place around your work site. Among its many performance features: machine cut gears, enclosed oil bath, rugged cast aluminium construction, and internal mechanical brakes.

Winches







**MOORING CONNECTOR - H-LINKS**



**Marine Offshore Equipment**





**MOORING CONNECTOR - H-LINKS**

**H-Links - Forged and Plate Styles**

Oceanside Equipment is the world leader in the design and manufacturer of mooring H-links. With many high-profile projects Oceanside has worked closely with its client to complete and innovate connecting components for deep water moorings. Many of these project span over several years from concept to installation. The experience we have acquired is used in the designs and customization of the Links to improve the installation and in-service requirements of our clients. The deep-water industry has evolved over the years with new standards and class requirement. Many of these moorings have a service life of 20 years to 40 years. Oceanside has worked with clients and Class with engineering studies and full size testing to confirm the inner workings of the design and features of our links. The traceability of our components begins at the ladle steel pour, followed and tested at many stages throughout production. Project specific ITP and MPS are prepared for full compliance to client and class requirements. The final load testing is done with our 3000 te purpose built test bed.

**Project – Reference List**



•Ocean Confidence	730 te
•MadDog	1,895 te
•Red Hawk	1,246 te
•ATP Rowan Midland	602 te
•Thunderhorse	1,386 te
•Independence Hub	1,527 te
•Tahiti	1,875 te
•BlindFaith	1,665 te
•Balmoral FPV	
•Triton FPSO	
•Kikeh	1,441 te
•Mirage	1,501 te
•ThunderHawk	1,964 te
•West Berani at Tombua Landana	
•Anasuria FPSO	
•Exxon Balder	
•Oxy Petroleum FPSO	
•Technip Lucius	2,131 te
•Chervon Jack St Malo	2,558 te
•GulfStar 1	1,501 te
•Heidelberg	2,131 te
•Asta Hansteen	2,437 te
•Appomattox	2,632 te

602 to 2632te MBL



**MOORING CONNECTOR - SEA-STAB**

**PERMANENT MOORING CONNECTIONS  
MADE SIMPLE** **SEAoStab™**

Connects in Seconds.  
Stays for Life.



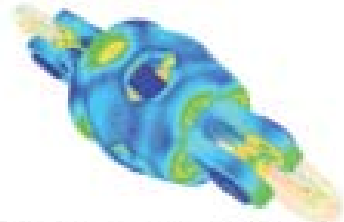
Inside view ball and taper with optional pin/eye

**A new subsea mooring connector that's  
lighter, simpler, stronger and more cost effective  
than traditional 'ball and taper' technology**

Whether you're installing a pre-lay for a MOU, a new spread for an offloading system or replacing a line on an FPSO, SEA-Stab™ from Enginuity offers simple, cost-effective and rapid connection. Designed to be stronger than any equivalent sized chain, with a fully scalable design allowing for working loads up to 30,000kN.

SEA-Stab™ outperforms traditional permanent or re-connectable technologies.

- Zero deformation at full chain MBL, ensuring connector remains 'Truly' reconnectable
- Cost effective design reduces capital cost
- Self-centers during deployment with wide approach angles, reducing installation costs
- Fully inspectable during installation and throughout life, ensuring 'fitness for purpose'
- Only 5 Moving parts with no dissimilar materials reducing corrosion risk
- Configurable coupling reduces need for additional components during hook-up



Finite Element Analysis showing connector at chain break load



Design Approved

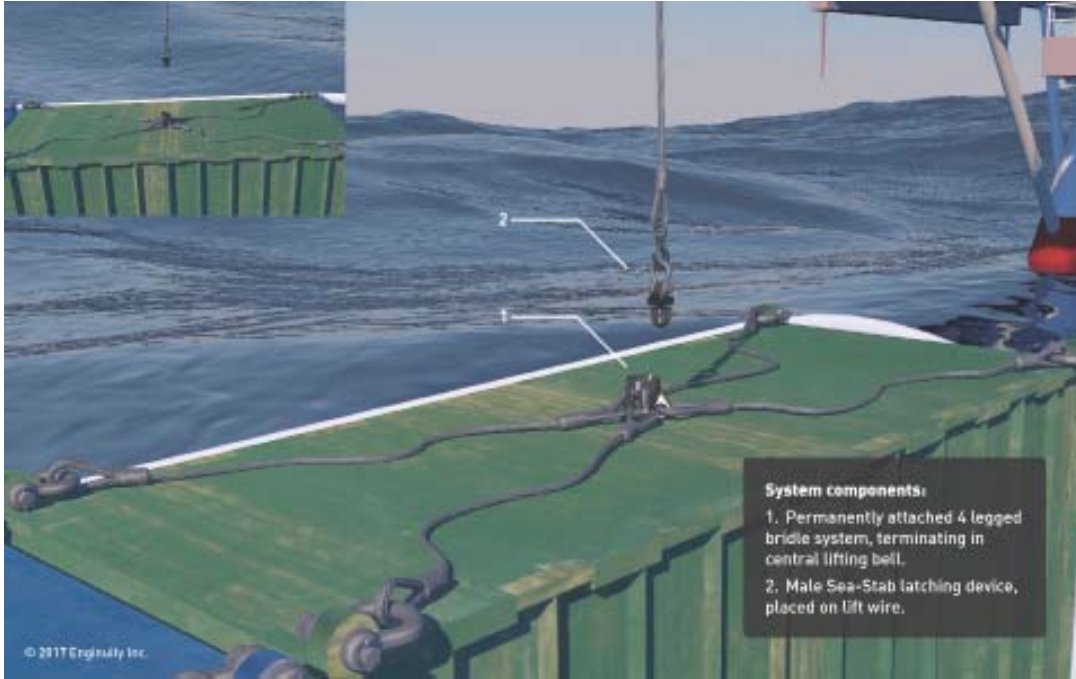




## CONTAINER LIFTING - SEA-STAB

### Introducing Sea-Stab

A rapidly deployed, preset, re-usable, high-load connector, container latching and lifting system. Innovative, 'hands free' cargo lifting connection in a dynamic environment.



#### System components:

1. Permanently attached 4 legged bridle system, terminating in central lifting bell.
2. Male Sea-Stab latching device, placed on lift wire.

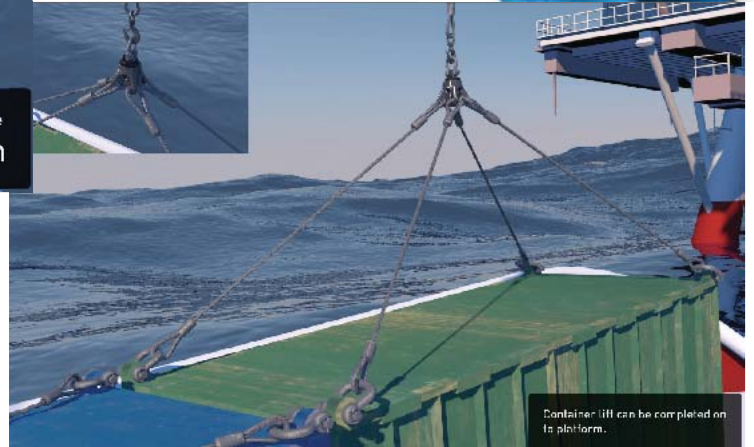


#### Latching close up

- Highly tolerant to approach angle.
- High visibility guide cone attachment also available to reduce target landing zone.
- Lifting bell held in place with high-strength magnets.

- "Instant Grab" - Full load can be applied immediately.
- By design, load cannot be released while under tension.
- Manual release by lifting latch plate when safely lowered on the deck of the platform.
- Wireless auto-release available.

Connects in Seconds - Slays for Life  
[www.sea-stab.com](http://www.sea-stab.com)



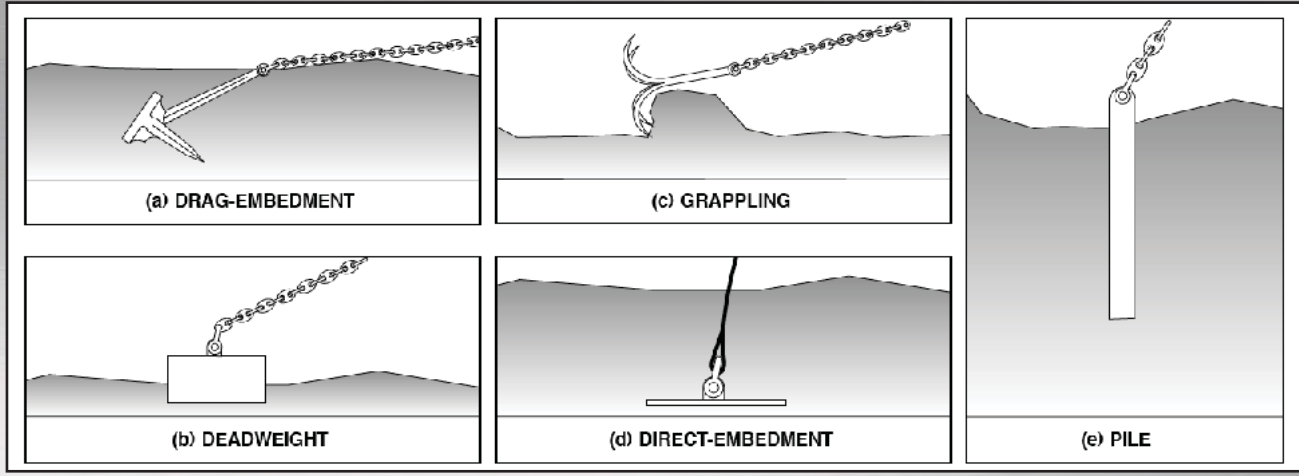
Marine Offshore Equipment



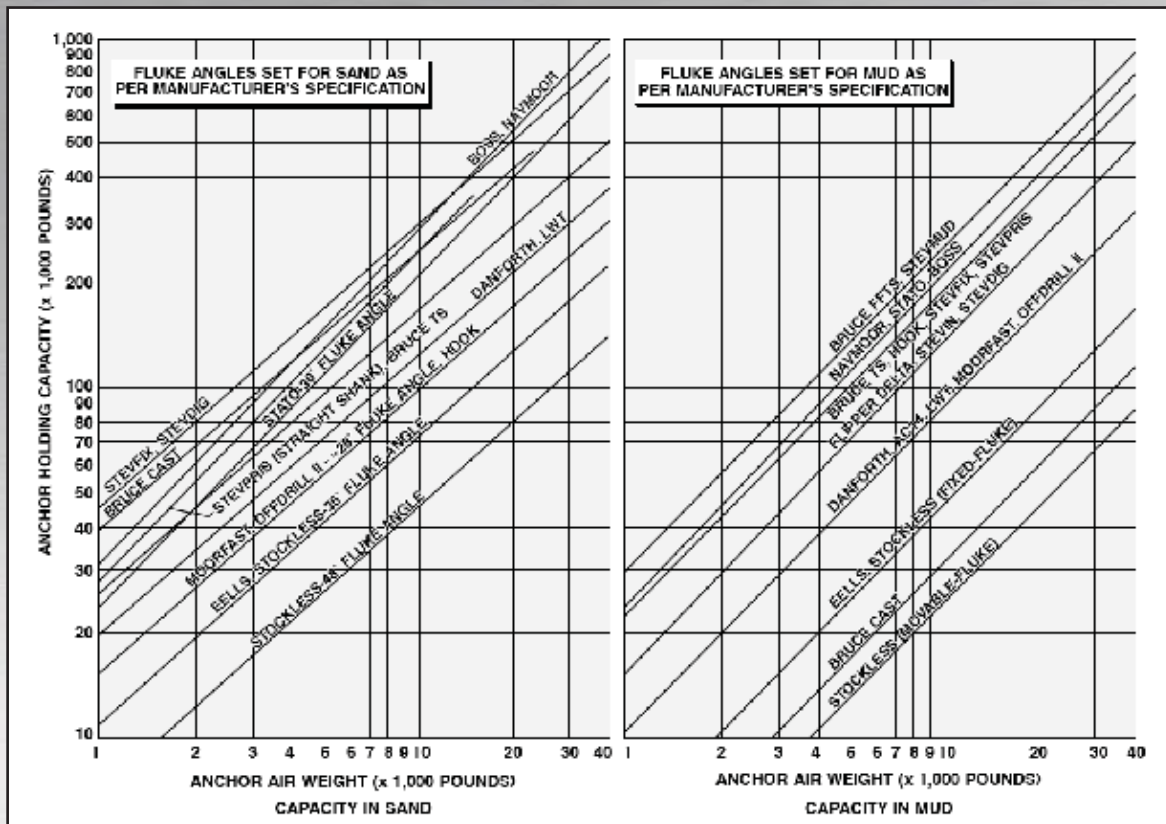


# ANCHORS

Anchors are available to 65 000 kg in weight. Measurements are holding capacity charts can be supplied. Selecting the correct anchor is dependent on the application. The water depth, soil conditions, holding power line ratios, distance to penetration/burial and installation methods all have to be considered when selecting the style and weight to be used.



Below are a list of the most common drag embedment type anchors used, they are usually used for temporary moorings or as an anchoring point for pulling systems.

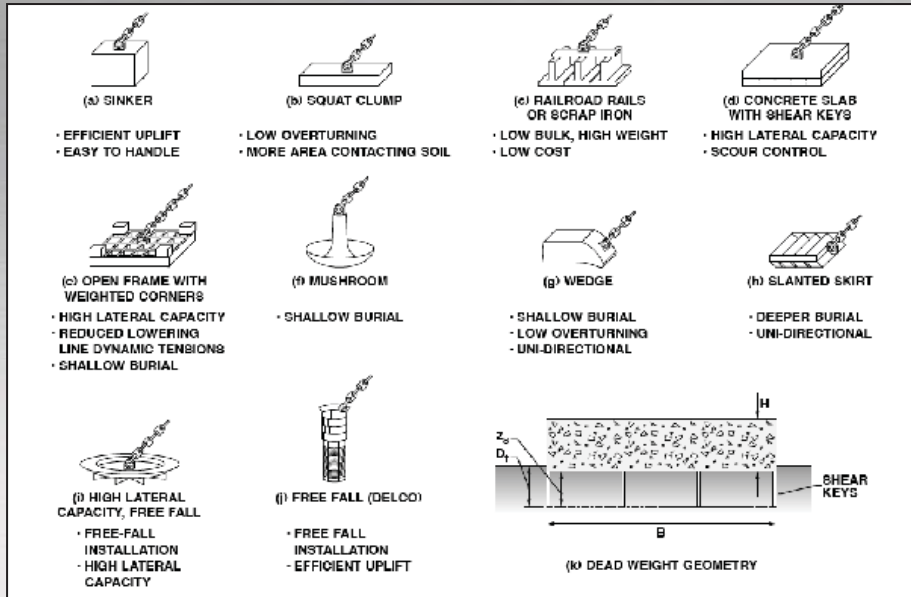


Marine Offshore Equipment

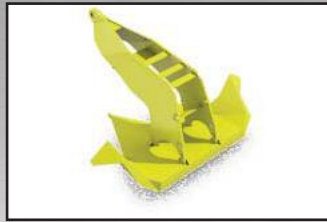




## Anchor - Dead Weights



Flipper Delta



Bruce Mk4 Twin Shank



AC 14



Hall



Stockless



Danforth



Suction type anchors.

**Index - by Chapter****Anchors**

- Anchor - AC-14 **7**
- Anchor - Danforth Style / Workboat **5**
- Anchor - Delta HHP **8**
- Anchor - Folding **4**
- Anchor - Stockless **6**
- Anchor - ST Offshore **9**
- Anchor - STS Offshore **10**

**Chain & Chain Accessories**

- Chain - Alloy Long-Link, Grade 80, Ocean Brand® **34**
- Chain - Alloy Long-Link, Grade 80, Trygg® **37, 38**
- Chain - Alloy Mid-Link, Grade 80, Trygg® **37**
- Chain - Alloy Short-Link, Grade 80, Trygg® **38**
- Chain - Long-Link Lashing, Grade 80 **36**
- Chain - Mid-Link Fishing, Grade 80 **36**
- Chain - Open Link **30**
- Chain - Overhead Lifting, Grade 80 **33**
- Chain - Overhead Lifting, Grade 100, Ocean Brand® **33**
- Chain - Proof Coil, Grade 30 **35**
- Chain - Self Coloured, High Test, Grade 43 **36**
- Chain - Stainless, Grade 50 **39**
- Chain - Stainless Steel **39**
- Chain - Stud Link Anchor **27, 30**
- Chain - Stud Link Anchor (continued) **28**
- Chain - Sweep, Grade 80 **36**
- Chain - Tenso **39**
- Chain - Transport, Grade 70, Ocean Brand® **34**
- Link - Connecting Link for Pennant Lines, GN® **32**
- Link - Connecting, Pear, Anchor Joining **25, 31**
- Shackle - Kenter Shackle, Joining Link **26, 30**
- Swivel - Forerunner, Assembly, with Links **29**
- Tuning Fork - GN® **32**
- Turnbuckle - Chain Stopper Assembly, Devil's Claw **31**

**Chain Slings**

- Chain Slings - Sling Chart, Chain **168**

**Electrical**

- Cable Joiner - Self-Locking **214**

**Fids, Needles, Sail Palms**

- Fid - Hardwood **182**
- Fid - Norwegian **182**
- Sail Needle **182**
- Sail Palms **182**
- Splicing - Pusher & Fids - Aluminium **182**

**Hooks**

- Hook - Anchor Line Hook, GN **116**
- Hook - Chain Grapnel **119**
- Hook - Clevis, Grab, Grade 70 **112**
- Hook - Clevis, Grab, with Latch, Grade 70 **112**
- Hook - Clevis, Slip, Grade 70 **113**
- Hook - Clevis, Slip, with Latch, Grade 70 **113**
- Hook - Dual Chaser **122**
- Hook - Eye, Hoist, with Latch **114**
- Hook - Eye, ROV Shank, with Latch, Grade 80, Yoke® **124**
- Hook - Eye, ROV, with Latch, GN® **117**
- Hook - Eye, Slip, with Latch **111**
- Hook - J, Chain Chaser **119**
- Hook - J-Lock, Chain Chaser **120**

- Hook - Lanyard, with Double Lock **111**
- Hook - Latch Kit **116**
- Hook - Pelican Sliphook, GN® **118**
- Hook - Permanent Chain Chaser **121**
- Hook - Quick Release **125**
- Hook - Ring Chaser **122**
- Hook - ROV Shank Hook, GN® **123**
- HOOKS EYE HOIST - WARNINGS AND APPLICATION INSTRUCTIONS **115**
- Hook - Snap **110**
- Hook - Snap, with Latch **110**
- Hook - Sorting, with Handle **110**
- Hook - Swivel Eye, Hoist, with Latch **114**
- Hook - Swivel Eye, with Latch **111**

**Lashing Equipment**

- Buckle - Ratchet **43, 44**
- Hook - Wire, Double J **44**
- Loadbinder - Lever **40**
- Loadbinder - Lever, BX **40**
- Loadbinder - Ratchet **41**
- Loadbinder - Ratchet, T-Handle **41**
- Loadbinder - Rathet, HS **41**
- Ring - Weld-on D-Ring Tie Down **42**
- Tie Down Cargo Strap - Chain Assembly **42**
- Tie Down Cargo Strap - Ratchet **43**
- Webbing - Tie Down Material, Polyester **44**
- Winch - Truck, #5820 **42**

**Lifting Accessories**

- Block - Chain Hoist, 619, Ocean Brand® **48**
- Block - Chain Hoist, 619, Ocean Brand® (NOP) **49**
- Block - Chain Hoist, ATS Compact, Air, 0.25 t ~ 2 t, Elephant® **58**
- Block - Chain Hoist, ATS Industrial Series, 3 t ~ 10 t, Elephant® **59**
- Block - Chain Hoist, ATS Industrial Series, 30 t ~ 40 t, Elephant® **60**
- Block - Chain Hoist, ATS Industrial Series, Air, 0.25 t ~ 2 t, Elephant® **58**
- Block - Chain Hoist, ATS Industrial Series, Air, 15 t ~ 25 t, Elephant® **59**
- Block - Chain Hoist, ATS Industrial Series, Air, 50 t ~ 100 t, Elephant® **60**
- Block - Chain Hoist, BOP Handling Matrix, 20 t ~ 240 t, Elephant® **61**
- Block - Chain Hoist, ROV Compatible, Tiger® **63**
- Cable Sock - K-Type **71**
- Cable Sock - T-Type **71**
- CHAIN HOIST PARTS BREAKDOWN **50**
- Clamp - Beam **69**
- Clamp - Beam, Universal, BCU, Tiger® **67**
- Clamp - Jumbo Beam, Elephant® **62**
- Clamp - Plate, Horizontal Lifting Clamp **70**
- Clamp - Plate, Vertical Lifting Clamp **70**
- Concrete Pipe Lifting Clamp - Assembly **45**
- Drum Lifter **45**
- ELEPHANT LIFTING PRODUCTS **57**
- LEVER HOIST PARTS BREAKDOWN **55**
- Lever Hoist - Puller, 622, Ocean Brand® **53**



Lever Hoist - Puller, 622, Ocean Brand® (NOP) **54**  
Lever Hoist - Puller, 816, Ocean Brand®, Subsea **51**  
Lever Hoist - Puller, HSH-AL, Ocean Brand®, Light Weight  
Aluminum **52**

Lever Hoist - Puller, SS11, Subsea, Tiger® **64**  
Permanent Magnet Lifter **46**  
PERMANENT MAGNET LIFTER - WARNINGS AND APPLI-  
CATION INSTRUCTIONS **47**

Rope Grab - Puller **71**  
Trolley - Adjustable, Tiger® **65**  
Trolleys - Beam, Push Travel **69**  
Trolley - Spark Resistant, Tiger® **66**  
VULCAN HOIST CO. **56**  
Winch - Wire Rope **68**  
Winch - Wire Rope, Spare Pin **68**

### Lifting Rings

Link - Master Link Assembly, DNV 2.7-1 **164**  
Link - Master Link Assembly, DNV 2.7-1+ **166**  
Link - Master Link Assembly, Scaw Metals® **162**  
Link - Master Link, DNV 2.7-1 **163**  
Link - Master Link, DNV 2.7-1+ **165**  
Link - Master Link, Forged, Grade 80, Yoke® **161**  
Link - Master Link, Large **167**  
Link - Master Link, Ocean Brand® **167**  
Link - Pear, Weldless Sling **167**  
Ring - Round **167**  
Ring - Round, Weldless **167**

### Load Monitoring Device

Load Cell - Software Packages **199**  
Load Cell - Wireless Kit **198**  
Water Bags, Crane **201**  
Water Bags, Lifeboat **202**

### Load Monitoring Devices

WATER BAGS, CRANE CERTIFICATION FLUID WEIGHT  
**200**

### Marine

Bag - Bait **93**  
Bollard - Curved Type A **84**  
Bollard - Deck Mount LXY-B012 **86**  
Bollard - Dock Type J **84**  
Bollard - Double Bit Deck Mount LXY-B011 **86**  
Bollard - Double Bitt LXY-B09 **85**  
Bollard - Double Bitt LXY-B10 **85**  
Bollard - Single-Bite Type JIS **87**  
Bollard - Single Bitt **87**  
Bollard - T-Head **88**  
Bollard - Type Stag Horn **88**  
Bracket - Smit Bracket **83**  
Chain Stopper - Assembly **95**  
Chock - Bulwark Mounting, Bow, Type EU **81**  
Chock - Bulwark Mounting, JIS F2017-BC **80**  
Chock - Bulwark Mounting, JIS F2030-A **81**  
Chock - Mounting, Type EU **82**  
Cleat **90**  
Cleat - Bow **90**  
Cleat - Dock, Heavy Duty **89**  
Cleat - Low Silhouette **90**  
Clip - Inglefield, Flag Clips **91**

Fairlead Roller - Anchor **79**  
Fairlead Roller - JIS F2014 **79**  
Fairlead Roller - Type A **79**  
Fairlead Roller - Universal **80**  
FENDER AND BUOYANCY **76**  
Fender - Cylindrical Fenders **72**  
Fender - Foam Filled Fender Type & Structure **74**  
Fender - Foam Filled Fender Type & Structure (continued) **75**  
FENDER FOAM IONOMER, BERTHING ENERGY AND  
REACTION FORCES **78**  
FENDER FOAM IONOMER, GILMAN CORPORATION **77**  
Fender - Pneumatic Fender **73**  
Fender - Semi-Circular Fenders **72**  
Hinge - Butt, Heavy Duty **91**  
Hinge - Door, Heavy Duty **91**  
Hinge - Strap **91**  
Hook - G, Alloy, Grade 80 **95**  
Hook - G, High Tensile Steel, Grade 80 **94**  
Jar - Bait **93**  
Knife - Bait **93**  
Knife - Scallop **93**  
Link - Kelly's Eye, High Tensile Steel, Grade 80 **94**  
Link - Recessed, Alloy, Grade 80 **95**  
Link - Recessed Master Link, Grade 80 **94**  
Link - Split **96**  
Link - Split, Alloy, Lobster Link **97**  
Mallet - Ice, UHMW **99**  
Oar Lock **91**  
Plate - Diamond **90**  
Ring - Round, Metric & Imperial **99**  
Sheave - Horizontal Lead **83**  
Sheave - Vertical Lead **82**  
Stenhouse Slip **99**  
Stopper - Chain Cable Stopper **83**  
Swivel - Eye & Eye **98**  
Swivel - Eye & Eye, Hardened Wearing Ring **98**  
Swivel - Flex, Eye & Eye **98**  
Swivel - Lobster **97**  
Thimble - Wire Tube **92**  
Thimble - Wire Tube with Gusset **92**  
Toggle Chain **95**  
Washer - Round Hole **96**  
Washer - Scallop, Black **97**

### Marine Offshore Equipment

Anchor - Dead Weights **282**  
ANCHORS **281**  
CONTAINER LIFTING - SEA-STAB **280**  
MOORING CONNECTOR - H-LINKS **277, 278, 279**  
MOORING CONNECTOR - SEA-STAB **279**

### Rigging Accessories

CLIPS WIRE ROPE 'OCEAN' - WARNINGS AND APPLI-  
CATION INSTRUCTIONS **102**  
Clip - Wire Rope, Forged **101**  
Clip - Wire Rope, Malleable **100**  
Clip - Wire Rope, Stainless **100**  
Eye Bolt - Regular with Nut **103**  
Eye Bolt - Ring with Shoulder & Nut **105**  
Eye Bolt - Screw **103**



**EYE BOLTS FORGED - WARNINGS AND APPLICATION INSTRUCTIONS 108**Eye Bolt - Shoulder Machine, Imperial **106**Eye Bolt - Shoulder Machine, Metric **106**Eye Bolt - Shoulder with Nut **104, 105**Eye Bolt - Shoulder with Nut, UNC **104**Eye Nut **105, 107**Eye Pad **107**Hook - Carabiner, Fishing, Screw Lock **109**Hook - "S" **107**Link - Quick **109**Link - Twin Clevis **109****Rigging Blocks**Block - Chain **13**Block - Gauge, Groove Guages **20**Block - Gin **13**Block - Lobster, Yoke® **11**Block - Pulley **14**Block - Sheave Bronze Brushed **13**Block - Single or Double Sheave, Wooden, with Hook **14**Block - Snatch, Double Sheave, Light Duty, with Hook, Ocean Brand® **15**Block - Snatch, Double Sheave, Light Duty, with Shackle, Ocean Brand® **15**Block - Snatch, Single Sheave, Alloy, with Hook, Ocean Brand® **16**Block - Snatch, Single Sheave, Alloy, with Hook, Yoke® **23**Block - Snatch, Single Sheave, Alloy, with Shackle, Ocean Brand® **16**Block - Snatch, Single Sheave, Alloy, with Shackle, Yoke® **23**Block - Snatch, Single Sheave, Forged, with Hook, Yoke® **22**Block - Snatch, Single Sheave, Forged, with Shackle, Yoke® **22**Block - Snatch, Single Sheave, Heavy Duty, with Eye, GN® **19**Block - Snatch, Single Sheave, Large, Super Duty, with Hook, Ocean Brand® **18**Block - Snatch, Single Sheave, Large, Super Duty, with Shackle, Ocean Brand® **18**Block - Snatch, Single Sheave, Light Duty, Tail Board, Ocean Brand® **15**Block - Snatch, Single Sheave, Light Duty, Tail Board, Yoke® **21**Block - Snatch, Single Sheave, Light Duty, with Hook, Ocean Brand® **16**Block - Snatch, Single Sheave, Light Duty, with Hook, Yoke® **21**Block - Snatch, Single Sheave, Light Duty, with Shackle, Ocean Brand® **17**Block - Snatch, Single Sheave, Light Duty, with Shackle, Yoke® **20**Block - Snatch, Single Sheave, Super Duty, Tail Board, Yoke® **24**Block - Snatch, Single Sheave, Super Duty, with Hook, Yoke® **24**Block - Snatch, Single Sheave, Super Duty, with Shackle, Yoke® **24**Block - Snatch, Single Sheave, with Hook, Ocean Brand® **17**Block - Snatch, Single Sheave, with Shackle, Ocean Brand® **17**Block - Snatch, Single Sheave, Wooden, with Hook **14**Block - Try Net **12**Block - Yarding **12****Rigging Equipment**Die Lube - Swaging Lubricant **208**FAST FLEMISH SWAGE SYSTEM **204**NEW-TECH SWAGING MACHINE "SMART PRESS" **205**REELING MACHINES WIROP SHAFTLESS **206**RIGGING EQUIPMENT **203, 205**SWAGING MACHINES FROM 150 TE TO 4,000 TE **207****Shackles**Shackle - Bow, Anchor, with Safety Bolt Green Pin® **193**Shackle - Bow, Anchor, with Safety Bolt Yellow Pin® **187**Shackle - Bow, Anchor, with Screw Green Pin® **192**Shackle - Bow, Anchor, with Screw Pin **185**Shackle - Bow, Anchor, with Screw Yellow Pin® **186**Shackle - Bow, with Safety Bolt, GN® **191**Shackle - Commercial Bow, Anchor, with Screw Pin **183, 185**Shackle - Dee (Chain) Trawling, with Square Head Screw Pin **184**Shackle - Dee (Chain), with Screw Pin **184**Shackle - ROV, Bow, with Safety Bolt, Yoke® **190**Shackle - ROV Locking Clamp Release Bow, Polar, with Green Pin® **195**Shackle - ROV Spring Release Bow, Polar, with Green Pin® **195**Shackle - Sling Protector, with Safety Bolt, GN® **189**Shackle - Soft, Synthetic **183**Shackle - Super Bow, Anchor, with Safety Bolt Green Pin® **194**Shackle - Tonsberg **190**SHACKLE - WARNINGS AND APPLICATIONS **197**Shackle - Wide Body Sling, with Safety Bolt Green Pin® **188**Shackle - Wide Body Sling, with Safety Bolt, Yoke® **188**Shackle - Wide Mouth Bow, with Safety Bolt Green Pin® **194**Triangle Plate - GN® **196****Sleeves (Ferrules)**Go-No-Go Guages - for Flemish Eye Steel Sleeves (Ferrules) **209**

Logging Equipment

Choker Button **213**Hook - Micro Midget Choker **213**Marlin Spike **213**Sleeve (Ferrule) - Aluminium **210**Sleeve (Ferrule) - Aluminium Duplex **212**Sleeve (Ferrule) - Aluminium Stop **212**Sleeve (Ferrule) - Button Stop **213**Sleeve (Ferrule) - Copper Oval **212**Sleeve (Ferrule) - Copper Stop **212**Sleeve (Ferrule) - Duplex Oval **213**Sleeve (Ferrule) - Flemish Splice, Carbon Steel **209**Sleeve (Ferrule) - Stainless Steel Duplex **212, 213**SLEEVES (FERRULES) SIZE NUMBER TABLE A.2 **211****Slings**Sling - Round, Polyester **221, 222**Sling - Webbing Material, Polyester **220**Sling - Web, Polyester **218, 219, 221**Sling - Wire Rope, Bright, with A1 Light Lube **215**Sling - Wire Rope, Galvanized **216, 217****Swivels**Swivel - Bullet Style, Angular Contact Bearing, Yoke® **236**Swivel - Closed Body Swivel, GN® **239**Swivel - Eye & Eye **233, 234, 235**Swivel - Eye & Eye, Angular Contact Bearing, Yoke® **237**Swivel - Eye & Eye, with Hardened Wearing Ring **235**



Swivel - Flex, Eye & Eye **234, 235**  
Swivel - Jaw & Eye **233, 234**  
Swivel - Jaw & Jaw, Angular Contact Bearing, Yoke® **238**  
Swivel - Short Bow **234**

### **Synthetic & Fiber Rope**

Rope - DSM Dyneema, 12-Strand **170, 171**  
Rope - Manila, 3-Strand **169**  
Rope - Manila, 4-Strand **169**  
Rope - Nylon, 3-Strand **177**  
Rope - Nylon, 8-Strand **177**  
Rope - Nylon Double Braided 2-1, Ocean Steel Line **179**  
Rope - Nylon, Jumbo, 3-Strand **178**  
Rope - Ocean Steel Line, 3-Strand, Aqua **174**  
Rope - Ocean Steel Line, 3-Strand, Yellow **175**  
Rope - Ocean Steel Line, 8-Strand, Gold **175**  
Rope - Polyester Double Braided 2-1, Ocean Steel Line **179**  
Rope - Polypropylene, Jumbo, 8-Strand, Yellow **176**  
Rope - Sail Twine, Waxed **176**  
Rope - Sash Cord, Cotton **178**  
ROPE TYPES SYNTHETIC **180, 181**  
Slings - Sling Chart, Dyneema (Synthetic Rope), Endless Grommet **173**  
Slings - Sling Chart, Dyneema (Synthetic Rope), Eye & Eye **172**

### **Thimble**

Thimble - Heavy Duty **240, 241**  
Thimble - Light Duty **241**  
Thimble - Synthetic Rope **240**  
Thimble - Tube **240**

### **Turnbuckles**

Turnbuckle - Bottle Type, Galvanized **245**  
Turnbuckle - Eye & Eye, Galvanized **244**  
Turnbuckle - Eye & Eye, Lashing **246**  
Turnbuckle - Heavy Duty, GN® **247**  
Turnbuckle - Hook & Hook, Galvanized **244**  
Turnbuckle - Jaw & Eye, Galvanized **245**  
Turnbuckle - Jaw & Jaw **246**  
Turnbuckle - Jaw & Jaw, Bottle Type (Closed) **245**  
Turnbuckle - Jaw & Jaw, Galvanized **243**  
Turnbuckle - Stub End **246**  
Turnbuckle - Stub End, Body Only **246**

### **Winches**

Hydraulic Spooling Machine **274**  
Power Pack - Diesel Hydraulic **275**  
Power Pack - Electric Hydraulic **275**  
Thern® **276**  
Thern winches **276**  
Winch - Hydraulic Mooring, Compact **272**  
Winch - Hydraulic Mooring, Double Drum **273**  
Winch - Hydraulic Mooring, Standard **273**  
Winch - Hydraulic Utility **272**  
Winch - Standard Air **274**

### **Wire Rope**

Brunton Shaw - "British Made" **262**  
Sea Lube Wire Rope Lubricant **248**  
Wire Rope - 1x7, Seizing, Steel Core, Stainless **252**  
Wire Rope - 6x19, Bridle Wire, Fiber Core, Galvanized **253**  
Wire Rope - 6x19, Trawl Warp, Fiber Core, Galvanized & Greased **253**

Wire Rope - 6x24, Fiber Core, Galvanized **253**  
Wire Rope - 6x25, Trolley & Hoists Rope, Fiber Core, Bright & Greased **258**  
Wire Rope - 6x26, Regular Swaged WS, Steel Core, Bright & Greased **254**  
Wire Rope - 6x26, Steel Core, Bright & Greased **255**  
Wire Rope - 6x26, Steel Core, Galvanized **256**  
Wire Rope - 6x36, Compacted, Steel Core, Bright & Greased **254**  
Wire Rope - 6x36, Steel Core, Bright & Greased **255**  
Wire Rope - 6x36, Steel Core, Galvanized **256**  
Wire Rope - 6x36, Steel Core, Galvanized & Greased **254**  
Wire Rope - 6x37, Fiber Core, Bright & Greased **258**  
Wire Rope - 7x7, 7x19, 6x19, 6x26, Steel Core, Stainless **252**  
Wire Rope - 7x7 & 7x19, Aircraft Cable, PVC Coated, Steel Core, Galvanized **251**  
Wire Rope - 7x7, 7x19, Aircraft Cable, PVC Coated, Steel Core, Stainless **252**  
Wire Rope - 7x7 & 7x19, Aircraft Cable, Steel Core, Galvanized **251**  
Wire Rope - 8X19, SEALE, IWRC 1960 N/MM2, Galvanized, A-2 Lube **261**  
Wire Rope - 8x26, Boom Rope, Bright & Greased **257**  
Wire Rope - 8X36, SEALE, IWRC 1960 N/MM2, Galvanized, A-2 Lube **261**  
Wire Rope - 18x19S, Rotation Resistant, Steel Core, Bright & Greased **257**  
Wire Rope - 19x7, Rotation Resistant, Steel Core, Bright & Greased **257**  
Wire Rope - 35x7, Compacted, Hoist Rope, Bright & Greased **258, 259**  
Wire Rope - 35x7, Compacted, Non-Rotating, Steel Core, Galvanized & Greased **259, 260**  
Wire Rope - 35x7, Compacted, Non-Rotating, Steel Core, Galvanized with A2 Lube **263**  
Wire Rope - Cranemax, M10K, Spin resistant **270**  
Wire Rope - Cranemax, M35X, Shock resistant **267**  
Wire Rope - Cranemax, XL8K, Special hoist **268**  
Wire Rope - Cranemax, XL10K, Special hoist **269**  
Wire Rope - Mooring Line **271**  
Wire Rope - Oceanmax 6D, Drilling Lines **264**  
Wire Rope - Oceanmax 6RT, Riser Tensioner **264**  
Wire Rope - Trawlmaster, FC **266**  
Wire Rope - Trawlstar, FC **265**  
Wire Rope - Trawlstar, IWRC **265, 266**

### **Wire Rope End Terminations**

RESIN SOCKETING WARNING AND SAFETY INFORMATION **231**  
Socketing Putty **230**  
Socket Lock - Resin **229**  
Socket - Spelter, Closed, Forged, Yoke® **226**  
Socket - Spelter, Closed, GN® **227**  
Socket - Spelter, CR, Closed (peewee, gold nose), GN® **228**  
Socket - Spelter, Open, Forged, Yoke® **224**  
Socket - Spelter, Open, GN® **225**  
Socket - Swage, Closed, Forged, Yoke® **223**  
Socket - Swage, Open, Forged, Yoke® **223**  
Socket - Wedge, Open **232**



Wire Rope Broom Degreaser **230**

**YOKE® Certification 128**

**Yoke® Fall Arrest**

- Harness - Back D, 3 Adjustments **158**
- Harness - Back D, 5 Adjustments **158, 159**
- Harness - Back & Side D, 5 Adjustments **159**
- Hook - Rebar, N-3620 **157**
- Hook - Rebar, N-3630 **157**
- Hook - Snap, N-3610 **157**
- Lanyard - Double **160**
- Lanyard - Single **159, 160**
- Link - Carabiner, Self-Locking, with Captive Pin, N-252G **156**
- Link - Carabiner, Self-Locking, with Captive Pin, N-256G **156**
- Link - Carabiner, Self-Locking, with Captive Pin, N-259G **156**
- Link - O-Ring, N-489 **157**
- Tool Lanyard **160**

**Yoke® Grade 80**

- Hook - Clevis, Grab, Grade 80 **140**
- Hook - Clevis, Self-Locking, Grade 80 **142**
- Hook - Clevis, Shortening Clutch, (Claw Hook), Grade 80 **139**
- Hook - Clevis, Sling, Grade 80 **141**
- Hook - Coupling, Self-Locking, Grade 80 **149**
- Hook - Coupling, Sling, Grade 80 **149**
- Hook - Eye, Container, Grade 80 **144**
- Hook - Eye, Foundry, Grade 80 **144**
- Hook - Eye, Grab, Grade 80 **140**
- Hook - Eye, Self-Locking, Grade 80 **142**
- Hook - Eye, Self-Locking, Grade 80, DNV **138**
- Hook - Eye, Sling, Grade 80 **141**
- Hook - Flat Webbing, Choker, Grade 80 **149**
- Hook - Half Link, Shortening Clutch, (Claw Hook), Grade 80 **140**
- Hook - Kit, Clevis, Load Pin Kit, Grade 80 **143**
- Hook - Kit, Self-Locking Recessed Trigger Kit, Grade 80/100 **136, 143**
- Hook - Sliding Choker, Grade 80 **144**
- Hook - Swivel, Self-Locking, Grade 80 **141**
- Hook - Swivel, Self-Locking, with Ball Bearing, Grade 80, DNV **138**
- Hook - Weld-on Bucket, Grade 80 **146**
- Link - Coupling, Connecting, Grade 80 **139**
- Link - Coupling, Half Link & Pin, Grade 80 **150**
- Link - Coupling, Master Link, Grade 80 **148**
- Link - Coupling, Round Sling, Grade 80 **150**
- Link - Coupling, Round Sling, with Half Link & Pin, Grade 80 **150**
- Link - Kit, Connecting, Pin & Sleeve Kit, Grade 80 **143**
- Link - Omega, Grade 80 **139**
- Ring - Weld-on Lifting Point, Grade 80 **145**
- Swivel - Coupling, Insulated Blank Swivel, Grade 80 **148**
- Swivel - Hoist Ring, Metric Thread (203 series), Grade 80 **151**
- Swivel - Hoist Ring, Metric Thread, Grade 80 **153**
- Swivel - Hoist Ring, UNC Thread (204 series), Grade 80 **151**
- Swivel - Hoist Ring, UNC Thread, Grade 80 **152**
- Swivel - Lifting Key Eye Points, Metric Thread, Grade 80 **154, 155**
- Swivel - Lifting Key Eye Points, UNC Thread, Grade 80 **154, 155**

**Yoke® Grade 100**

- Hook - Clevis, Eye, Grab EX, Grade 100 **130**
- Hook - Clevis, Grab, Grade 100 **133**
- Hook - Clevis, Self-Locking, Grade 100 **131**
- Hook - Clevis, Sling, Grade 100 **133**
- Hook - Eye, Foundry, Grade 100 **135**
- Hook - Eye, Grab, Grade 100 **134**
- Hook - Eye, Hoist, Grade 100 **137**
- Hook - Eye, Self-Locking, Grade 100 **131**
- Hook - Eye, Self-Locking, Grip, Grade 100 **135**
- Hook - Eye, Sling, Grade 100 **133**
- Hook - Kit, Clevis, Load Pin Kit, Grade 100 **136**
- Hook - Kit, Self-Locking Recessed Trigger Kit, Grade 80/100 **136, 143**
- Hook - Kit, Self-Locking Trigger Kit, Grade 100 **136, 143**
- Hook - Round Sling, Grade 100 **134**
- Hook - Swivel, Hoist, Grade 100 **137**
- Hook - Swivel, Self-Locking, Grip, Grade 100 **135**
- Hook - Swivel, Self-Locking, with Ball Bearing, Grade 100 **132**
- Hook - Swivel, Self-Locking, with Brass Bushing, Grade 100 **132**
- Link - Coupling, Connecting, Grade 100 **131**
- Link - Enlarged, Master Link, Welded, Grade 100 **129**
- Link - Kit, Connecting, Pin & Sleeve Kit, Grade 100 **136**
- Link - Master Link Assembly, with 2x Grab EX Hooks, Grade 100 **130**
- Link - Master Link Assembly, with 4x Grab EX Hooks, Grade 100 **130**
- Link - Oblong, Master Link, Forged, Grade 100 **129**
- Link - Round Sling Connector, Grade 100 **134**

**YOKE® Introduction 127**





Anchor - AC-14 **7**  
Anchor - Danforth Style / Workboat **5**  
Anchor - Dead Weights **282**  
Anchor - Delta HHP **8**  
Anchor - Folding **4**  
Anchor - ST Offshore **9**  
Anchor - Stockless **6**  
Anchor - STS Offshore **10**  
ANCHORS **281**  
Bag - Bait **93**  
Block - Chain **13**  
Block - Chain Hoist, 619, Ocean Brand® **48**  
Block - Chain Hoist, 619, Ocean Brand® (NOP) **49**  
Block - Chain Hoist, ATS Compact, Air, 0.25 t ~ 2 t, Elephant® **58**  
Block - Chain Hoist, ATS Industrial Series, 3 t ~ 10 t, Elephant® **59**  
Block - Chain Hoist, ATS Industrial Series, 30 t ~ 40 t, Elephant® **60**  
Block - Chain Hoist, ATS Industrial Series, Air, 0.25 t ~ 2 t, Elephant® **58**  
Block - Chain Hoist, ATS Industrial Series, Air, 15 t ~ 25 t, Elephant® **59**  
Block - Chain Hoist, ATS Industrial Series, Air, 50 t ~ 100 t, Elephant® **60**  
Block - Chain Hoist, BOP Handling Matrix, 20 t ~ 240 t, Elephant® **61**  
Block - Chain Hoist, ROV Compatible, Tiger® **63**  
Block - Gauge, Groove Guages **20**  
Block - Gin **13**  
Block - Lobster, Yoke® **11**  
Block - Pulley **14**  
Block - Sheave Bronze Brushed **13**  
Block - Single or Double Sheave, Wooden, with Hook **14**  
Block - Snatch, Double Sheave, Light Duty, with Hook, Ocean Brand® **15**  
Block - Snatch, Double Sheave, Light Duty, with Shackle, Ocean Brand® **15**  
Block - Snatch, Single Sheave, Alloy, with Hook, Ocean Brand® **16**  
Block - Snatch, Single Sheave, Alloy, with Hook, Yoke® **23**  
Block - Snatch, Single Sheave, Alloy, with Shackle, Ocean Brand® **16**  
Block - Snatch, Single Sheave, Alloy, with Shackle, Yoke® **23**  
Block - Snatch, Single Sheave, Forged, with Hook, Yoke® **22**  
Block - Snatch, Single Sheave, Forged, with Shackle, Yoke® **22**  
Block - Snatch, Single Sheave, Heavy Duty, with Eye, GN® **19**  
Block - Snatch, Single Sheave, Large, Super Duty, with Hook, Ocean Brand® **18**  
Block - Snatch, Single Sheave, Large, Super Duty, with Shackle, Ocean Brand® **18**  
Block - Snatch, Single Sheave, Light Duty, Tail Board, Ocean Brand® **15**  
Block - Snatch, Single Sheave, Light Duty, Tail Board, Yoke® **21**  
Block - Snatch, Single Sheave, Light Duty, with Hook, Ocean Brand® **16**  
Block - Snatch, Single Sheave, Light Duty, with Hook, Yoke® **21**  
Block - Snatch, Single Sheave, Light Duty, with Shackle, Ocean

Brand® **17**  
Block - Snatch, Single Sheave, Light Duty, with Shackle, Yoke® **20**  
Block - Snatch, Single Sheave, Super Duty, Tail Board, Yoke® **24**  
Block - Snatch, Single Sheave, Super Duty, with Hook, Yoke® **24**  
Block - Snatch, Single Sheave, Super Duty, with Shackle, Yoke® **24**  
Block - Snatch, Single Sheave, with Hook, Ocean Brand® **17**  
Block - Snatch, Single Sheave, with Shackle, Ocean Brand® **17**  
Block - Snatch, Single Sheave, Wooden, with Hook **14**  
Block - Try Net **12**  
Block - Yarding **12**  
Bollard - Curved Type A **84**  
Bollard - Deck Mount LXY-B012 **86**  
Bollard - Dock Type J **84**  
Bollard - Double Bit Deck Mount LXY-B011 **86**  
Bollard - Double Bitt LXY-B09 **85**  
Bollard - Double Bitt LXY-B10 **85**  
Bollard - Single Bitt **87**  
Bollard - Single-Bite Type JIS **87**  
Bollard - T-Head **88**  
Bollard - Type Stag Horn **88**  
Bracket - Smit Bracket **83**  
Brunton Shaw - "British Made" **262**  
Buckle - Ratchet **43, 44**  
Cable Joiner - Self-Locking **214**  
Cable Sock - K-Type **71**  
Cable Sock - T-Type **71**  
Chain - Alloy Long-Link, Grade 80, Ocean Brand® **34**  
Chain - Alloy Long-Link, Grade 80, Trygg® **37, 38**  
Chain - Alloy Mid-Link, Grade 80, Trygg® **37**  
Chain - Alloy Short-Link, Grade 80, Trygg® **38**  
Chain - Long-Link Lashing, Grade 80 **36**  
Chain - Mid-Link Fishing, Grade 80 **36**  
Chain - Open Link **30**  
Chain - Overhead Lifting, Grade 100, Ocean Brand® **33**  
Chain - Overhead Lifting, Grade 80 **33**  
Chain - Proof Coil, Grade 30 **35**  
Chain - Self Coloured, High Test, Grade 43 **36**  
Chain - Stainless Steel **39**  
Chain - Stainless, Grade 50 **39**  
Chain - Stud Link Anchor **27, 30**  
Chain - Stud Link Anchor (continued) **28**  
Chain - Sweep, Grade 80 **36**  
Chain - Tenso **39**  
Chain - Transport, Grade 70, Ocean Brand® **34**  
CHAIN HOIST PARTS BREAKDOWN **50**  
Chain Slings - Sling Chart, Chain **168**  
Chain Stopper - Assembly **95**  
Chock - Bulwark Mounting, Bow, Type EU **81**  
Chock - Bulwark Mounting, JIS F2017-BC **80**  
Chock - Bulwark Mounting, JIS F2030-A **81**  
Chock - Mounting, Type EU **82**  
Choker Button **213**  
Clamp - Beam **69**  
Clamp - Beam, Universal, BCU, Tiger® **67**  
Clamp - Jumbo Beam, Elephant® **62**  
Clamp - Plate, Horizontal Lifting Clamp **70**



- Clamp - Plate, Vertical Lifting Clamp **70**  
Cleat **90**  
Cleat - Bow **90**  
Cleat - Dock, Heavy Duty **89**  
Cleat - Low Silhouette **90**  
Clip - Inglefield, Flag Clips **91**  
Clip - Wire Rope, Forged **101**  
Clip - Wire Rope, Malleable **100**  
Clip - Wire Rope, Stainless **100**  
Concrete Pipe Lifting Clamp - Assembly **45**  
CONTAINER LIFTING - SEA-STAB **280**  
Die Lube - Swaging Lubricant **208**  
Drum Lifter **45**  
ELEPHANT LIFTING PRODUCTS **57**  
Eye Bolt - Regular with Nut **103**  
Eye Bolt - Ring with Shoulder & Nut **105**  
Eye Bolt - Screw **103**  
Eye Bolt - Shoulder Machine, Imperial **106**  
Eye Bolt - Shoulder Machine, Metric **106**  
Eye Bolt - Shoulder with Nut **104, 105**  
Eye Bolt - Shoulder with Nut, UNC **104**  
Eye Nut **105, 107**  
Eye Pad **107**  
Fairlead Roller - Anchor **79**  
Fairlead Roller - JIS F2014 **79**  
Fairlead Roller - Type A **79**  
Fairlead Roller - Universal **80**  
Fender - Cylindrical Fenders **72**  
Fender - Foam Filled Fender Type & Structure **74**  
Fender - Foam Filled Fender Type & Structure (continued) **75**  
Fender - Pneumatic Fender **73**  
Fender - Semi-Circular Fenders **72**  
FENDER AND BUOYANCY **76**  
FENDER FOAM IONOMER, BERTHING ENERGY AND REACTION FORCES **78**  
FENDER FOAM IONOMER, GILMAN CORPORATION **77**  
Fid - Hardwood **182**  
Fid - Norwegian **182**  
Go-No-Go Guages - for Flemish Eye Steel Sleeves (Ferrules) **209**  
Harness - Back & Side D, 5 Adjustments **159**  
Harness - Back D, 3 Adjustments **158**  
Harness - Back D, 5 Adjustments **158, 159**  
Hinge - Butt, Heavy Duty **91**  
Hinge - Door, Heavy Duty **91**  
Hinge - Strap **91**  
Hook - "S" **107**  
Hook - Anchor Line Hook, GN **116**  
Hook - Carabiner, Fishing, Screw Lock **109**  
Hook - Chain Grapple **119**  
Hook - Clevis, Eye, Grab EX, Grade 100 **130**  
Hook - Clevis, Grab, Grade 100 **133**  
Hook - Clevis, Grab, Grade 70 **112**  
Hook - Clevis, Grab, Grade 80 **140**  
Hook - Clevis, Grab, with Latch, Grade 70 **112**  
Hook - Clevis, Self-Locking, Grade 100 **131**  
Hook - Clevis, Self-Locking, Grade 80 **142**  
Hook - Clevis, Shortening Clutch, (Claw Hook), Grade 80 **139**  
Hook - Clevis, Sling, Grade 100 **133**  
Hook - Clevis, Sling, Grade 80 **141**  
Hook - Clevis, Slip, Grade 70 **113**  
Hook - Clevis, Slip, with Latch, Grade 70 **113**  
Hook - Coupling, Self-Locking, Grade 80 **149**  
Hook - Coupling, Sling, Grade 80 **149**  
Hook - Dual Chaser **122**  
Hook - Eye, Container, Grade 80 **144**  
Hook - Eye, Foundry, Grade 100 **135**  
Hook - Eye, Foundry, Grade 80 **144**  
Hook - Eye, Grab, Grade 100 **134**  
Hook - Eye, Grab, Grade 80 **140**  
Hook - Eye, Hoist, Grade 100 **137**  
Hook - Eye, Hoist, with Latch **114**  
Hook - Eye, ROV Shank, with Latch, Grade 80, Yoke® **124**  
Hook - Eye, ROV, with Latch, GN® **117**  
Hook - Eye, Self-Locking, Grade 100 **131**  
Hook - Eye, Self-Locking, Grade 80 **142**  
Hook - Eye, Self-Locking, Grade 80, DNV **138**  
Hook - Eye, Self-Locking, Grip, Grade 100 **135**  
Hook - Eye, Sling, Grade 100 **133**  
Hook - Eye, Sling, Grade 80 **141**  
Hook - Eye, Slip, with Latch **111**  
Hook - Flat Webbing, Choker, Grade 80 **149**  
Hook - G, Alloy, Grade 80 **95**  
Hook - G, High Tensile Steel, Grade 80 **94**  
Hook - Half Link, Shortening Clutch, (Claw Hook), Grade 80 **140**  
Hook - J, Chain Chaser **119**  
Hook - J-Lock, Chain Chaser **120**  
Hook - Kit, Clevis, Load Pin Kit, Grade 100 **136**  
Hook - Kit, Clevis, Load Pin Kit, Grade 80 **143**  
Hook - Kit, Self-Locking Recessed Trigger Kit, Grade 80/100 **136, 143**  
Hook - Kit, Self-Locking Recessed Trigger Kit, Grade 80/100 **136, 143**  
Hook - Kit, Self-Locking Trigger Kit, Grade 100 **136, 143**  
Hook - Lanyard, with Double Lock **111**  
Hook - Latch Kit **116**  
Hook - Micro Midget Choker **213**  
Hook - Pelican Sliphook, GN® **118**  
Hook - Permanent Chain Chaser **121**  
Hook - Quick Release **125**  
Hook - Rebar, N-3620 **157**  
Hook - Rebar, N-3630 **157**  
Hook - Ring Chaser **122**  
Hook - Round Sling, Grade 100 **134**  
Hook - ROV Shank Hook, GN® **123**  
Hook - Sliding Choker, Grade 80 **144**  
Hook - Snap **110**  
Hook - Snap, N-3610 **157**  
Hook - Snap, with Latch **110**  
Hook - Sorting, with Handle **110**  
Hook - Swivel Eye, Hoist, with Latch **114**  
Hook - Swivel Eye, with Latch **111**  
Hook - Swivel, Hoist, Grade 100 **137**  
Hook - Swivel, Self-Locking, Grade 80 **141**  
Hook - Swivel, Self-Locking, Grip, Grade 100 **135**



Hook - Swivel, Self-Locking, with Ball Bearing, Grade 100 **132**  
Hook - Swivel, Self-Locking, with Ball Bearing, Grade 80, DNV **138**  
Hook - Swivel, Self-Locking, with Brass Bushing, Grade 100 **132**  
Hook - Weld-on Bucket, Grade 80 **146**  
Hook - Wire, Double J **44**  
Hydraulic Spooling Machine **274**  
Jar - Bait **93**  
Knife - Bait **93**  
Knife - Scallop **93**  
Lanyard - Double **160**  
Lanyard - Single **159, 160**  
Lever Hoist - Puller, 622, Ocean Brand® **53**  
Lever Hoist - Puller, 622, Ocean Brand® (NOP) **54**  
Lever Hoist - Puller, 816, Ocean Brand®, Subsea **51**  
Lever Hoist - Puller, HSH-AL, Ocean Brand®, Light Weight Aluminum **52**  
Lever Hoist - Puller, SS11, Subsea, Tiger® **64**  
LEVER HOIST PARTS BREAKDOWN **55**  
Link - Carabiner, Self-Locking, with Captive Pin, N-252G **156**  
Link - Carabiner, Self-Locking, with Captive Pin, N-256G **156**  
Link - Carabiner, Self-Locking, with Captive Pin, N-259G **156**  
Link - Connecting Link for Pennant Lines, GN® **32**  
Link - Connecting, Pear, Anchor Joining **25, 31**  
Link - Coupling, Connecting, Grade 100 **131**  
Link - Coupling, Connecting, Grade 80 **139**  
Link - Coupling, Half Link & Pin, Grade 80 **150**  
Link - Coupling, Master Link, Grade 80 **148**  
Link - Coupling, Round Sling, Grade 80 **150**  
Link - Coupling, Round Sling, with Half Link & Pin, Grade 80 **150**  
Link - Enlarged, Master Link, Welded, Grade 100 **129**  
Link - Kelly's Eye, High Tensile Steel, Grade 80 **94**  
Link - Kit, Connecting, Pin & Sleeve Kit, Grade 100 **136**  
Link - Kit, Connecting, Pin & Sleeve Kit, Grade 80 **143**  
Link - Master Link Assembly, DNV 2.7-1 **164**  
Link - Master Link Assembly, DNV 2.7-1+ **166**  
Link - Master Link Assembly, Scaw Metals® **162**  
Link - Master Link Assembly, with 2x Grab EX Hooks, Grade 100 **130**  
Link - Master Link Assembly, with 4x Grab EX Hooks, Grade 100 **130**  
Link - Master Link, DNV 2.7-1 **163**  
Link - Master Link, DNV 2.7-1+ **165**  
Link - Master Link, Forged, Grade 80, Yoke® **161**  
Link - Master Link, Large **167**  
Link - Master Link, Ocean Brand® **167**  
Link - O-Ring, N-489 **157**  
Link - Oblong, Master Link, Forged, Grade 100 **129**  
Link - Omega, Grade 80 **139**  
Link - Pear, Weldless Sling **167**  
Link - Quick **109**  
Link - Recessed Master Link, Grade 80 **94**  
Link - Recessed, Alloy, Grade 80 **95**  
Link - Round Sling Connector, Grade 100 **134**  
Link - Split **96**  
Link - Split, Alloy, Lobster Link **97**

Link - Twin Clevis **109**  
Load Cell - Wireless Kit **198**  
Load Cell - Software Packages **199**  
Loadbinder - Lever **40**  
Loadbinder - Lever, BX **40**  
Loadbinder - Ratchet **41**  
Loadbinder - Ratchet, T-Handle **41**  
Loadbinder - Rathet, HS **41**  
Mallet - Ice, UHMW **99**  
Marlin Spike **213**  
MOORING CONNECTOR - H-LINKS **277, 278, 279**  
MOORING CONNECTOR - SEA-STAB **279**  
Oar Lock **91**  
Permanent Magnet Lifter **46**  
Plate - Diamond **90**  
Power Pack - Diesel Hydraulic **275**  
Power Pack - Electric Hydraulic **275**  
REELING MACHINES WIROP SHAFTLESS **206**  
Ring - Round **167**  
Ring - Round, Metric & Imperial **99**  
Ring - Round, Weldless **167**  
Ring - Weld-on D-Ring Tie Down **42**  
Ring - Weld-on Lifting Point, Grade 80 **145**  
Rope - DSM Dyneema, 12-Strand **170, 171**  
Rope - Manila, 3-Strand **169**  
Rope - Manila, 4-Strand **169**  
Rope - Nylon Double Braided 2-1, Ocean Steel Line **179**  
Rope - Nylon, 3-Strand **177**  
Rope - Nylon, 8-Strand **177**  
Rope - Nylon, Jumbo, 3-Strand **178**  
Rope - Ocean Steel Line, 3-Strand, Aqua **174**  
Rope - Ocean Steel Line, 3-Strand, Yellow **175**  
Rope - Ocean Steel Line, 8-Strand, Gold **175**  
Rope - Polyester Double Braided 2-1, Ocean Steel Line **179**  
Rope - Polypropylene, Jumbo, 8-Strand, Yellow **176**  
Rope - Sail Twine, Waxed **176**  
Rope - Sash Cord, Cotton **178**  
Rope Grab - Puller **71**  
ROPE TYPES SYNTHETIC **180, 181**  
Sail Needle **182**  
Sail Palms **182**  
Sea Lube Wire Rope Lubricant **248**  
Shackle - Bow, Anchor, with Safety Bolt Green Pin® **193**  
Shackle - Bow, Anchor, with Safety Bolt Yellow Pin® **187**  
Shackle - Bow, Anchor, with Screw Green Pin® **192**  
Shackle - Bow, Anchor, with Screw Pin **185**  
Shackle - Bow, Anchor, with Screw Yellow Pin® **186**  
Shackle - Bow, with Safety Bolt, GN® **191**  
Shackle - Commercial Bow, Anchor, with Screw Pin **183, 185**  
Shackle - Dee (Chain) Trawling, with Square Head Screw Pin **184**  
Shackle - Dee (Chain), with Screw Pin **184**  
Shackle - Kenter Shackle, Joining Link **26, 30**  
Shackle - ROV Locking Clamp Release Bow, Polar, with Green Pin® **195**  
Shackle - ROV Spring Release Bow, Polar, with Green Pin® **195**  
Shackle - ROV, Bow, with Safety Bolt, Yoke® **190**  
Shackle - Sling Protector, with Safety Bolt, GN® **189**





- Shackle - Soft, Synthetic **183**  
Shackle - Super Bow, Anchor, with Safety Bolt Green Pin® **194**  
Shackle - Tonsberg **190**  
Shackle - Wide Body Sling, with Safety Bolt Green Pin® **188**  
Shackle - Wide Body Sling, with Safety Bolt, Yoke® **188**  
Shackle - Wide Mouth Bow, with Safety Bolt Green Pin® **194**  
Sheave - Horizontal Lead **83**  
Sheave - Vertical Lead **82**  
Sleeve (Ferrule) - Aluminium **210**  
Sleeve (Ferrule) - Aluminium Duplex **212**  
Sleeve (Ferrule) - Aluminium Stop **212**  
Sleeve (Ferrule) - Button Stop **213**  
Sleeve (Ferrule) - Copper Oval **212**  
Sleeve (Ferrule) - Copper Stop **212**  
Sleeve (Ferrule) - Duplex Oval **213**  
Sleeve (Ferrule) - Flemish Splice, Carbon Steel **209**  
Sleeve (Ferrule) - Stainless Steel Duplex **212, 213**  
Sling - Round, Polyester **221, 222**  
Sling - Web, Polyester **218, 219, 221**  
Sling - Webbing Material, Polyester **220**  
Sling - Wire Rope, Bright, with A1 Light Lube **215**  
Sling - Wire Rope, Galvanized **216, 217**  
Slings - Sling Chart, Dyneema (Synthetic Rope), Endless Grommet **173**  
Slings - Sling Chart, Dyneema (Synthetic Rope), Eye & Eye **172**  
Socket - Spelter, Closed, Forged, Yoke® **226**  
Socket - Spelter, Closed, GN® **227**  
Socket - Spelter, CR, Closed (peewee, gold nose), GN® **228**  
Socket - Spelter, Open, Forged, Yoke® **224**  
Socket - Spelter, Open, GN® **225**  
Socket - Swage, Closed, Forged, Yoke® **223**  
Socket - Swage, Open, Forged, Yoke® **223**  
Socket - Wedge, Open **232**  
Socket Lock - Resin **229**  
Socketing Putty **230**  
Splicing - Pusher & Fids - Aluminium **182**  
Stenhouse Slip **99**  
Stopper - Chain Cable Stopper **83**  
SWAGING MACHINES FROM 150 TE TO 4,000 TE **207**  
Swivel - Bullet Style, Angular Contact Bearing, Yoke® **236**  
Swivel - Closed Body Swivel, GN® **239**  
Swivel - Coupling, Insulated Blank Swivel, Grade 80 **148**  
Swivel - Eye & Eye **233, 234, 235**  
Swivel - Eye & Eye **98**  
Swivel - Eye & Eye, Angular Contact Bearing, Yoke® **237**  
Swivel - Eye & Eye, Hardened Wearing Ring **98**  
Swivel - Eye & Eye, with Hardened Wearing Ring **235**  
Swivel - Flex, Eye & Eye **234, 235**  
Swivel - Flex, Eye & Eye **98**  
Swivel - Forerunner, Assembly, with Links **29**  
Swivel - Hoist Ring, Metric Thread (203 series), Grade 80 **151**  
Swivel - Hoist Ring, Metric Thread, Grade 80 **153**  
Swivel - Hoist Ring, UNC Thread (204 series), Grade 80 **151**  
Swivel - Hoist Ring, UNC Thread, Grade 80 **152**  
Swivel - Jaw & Eye **233, 234**  
Swivel - Jaw & Jaw, Angular Contact Bearing, Yoke® **238**  
Swivel - Lifting Key Eye Points, Metric Thread, Grade 80 **154, 155**  
Swivel - Lifting Key Eye Points, UNC Thread, Grade 80 **154, 155**  
Swivel - Lobster **97**  
Swivel - Short Bow **234**  
Thern winches **276**  
Thern® **276**  
Thimble - Heavy Duty **240, 241**  
Thimble - Light Duty **241**  
Thimble - Synthetic Rope **240**  
Thimble - Tube **240**  
Thimble - Wire Tube **92**  
Thimble - Wire Tube with Gusset **92**  
Tie Down Cargo Strap - Chain Assembly **42**  
Tie Down Cargo Strap - Ratchet **43**  
Toggle Chain **95**  
Tool Lanyard **160**  
Triangle Plate - GN® **196**  
Trolley - Adjustable, Tiger® **65**  
Trolley - Spark Resistant, Tiger® **66**  
Trolleys - Beam, Push Travel **69**  
Tuning Fork - GN® **32**  
Turnbuckle - Bottle Type, Galvanized **245**  
Turnbuckle - Chain Stopper Assembly, Devil's Claw **31**  
Turnbuckle - Eye & Eye, Galvanized **244**  
Turnbuckle - Eye & Eye, Lashing **246**  
Turnbuckle - Heavy Duty, GN® **247**  
Turnbuckle - Hook & Hook, Galvanized **244**  
Turnbuckle - Jaw & Eye, Galvanized **245**  
Turnbuckle - Jaw & Jaw **246**  
Turnbuckle - Jaw & Jaw, Bottle Type (Closed) **245**  
Turnbuckle - Jaw & Jaw, Galvanized **243**  
Turnbuckle - Stub End **246**  
Turnbuckle - Stub End, Body Only **246**  
VULCAN HOIST CO. **56**  
Washer - Round Hole **96**  
Washer - Scallop, Black **97**  
Water Bags, Crane **201**  
WATER BAGS, CRANE CERTIFICATION FLUID WEIGHT **200**  
Water Bags, Lifeboat **202**  
Webbing - Tie Down Material, Polyester **44**  
Winch - Hydraulic Mooring, Compact **272**  
Winch - Hydraulic Mooring, Double Drum **273**  
Winch - Hydraulic Mooring, Standard **273**  
Winch - Hydraulic Utility **272**  
Winch - Standard Air **274**  
Winch - Truck, #5820 **42**  
Winch - Wire Rope **68**  
Winch - Wire Rope, Spare Pin **68**  
Wire Rope - 18x19S, Rotation Resistant, Steel Core, Bright & Greased **257**  
Wire Rope - 19x7, Rotation Resistant, Steel Core, Bright & Greased **257**  
Wire Rope - 1x7, Seizing, Steel Core, Stainless **252**  
Wire Rope - 35x7, Compacted, Hoist Rope, Bright & Greased **258, 259**  
Wire Rope - 35x7, Compacted, Non-Rotating, Steel Core, Galvanized & Greased **259, 260**



- Wire Rope - 35x7, Compacted, Non-Rotating, Steel Core, Galvanized with A2 Lube **263**
- Wire Rope - 6x19, Bridle Wire, Fiber Core, Galvanized **253**
- Wire Rope - 6x19, Trawl Warp, Fiber Core, Galvanized & Greased **253**
- Wire Rope - 6x24, Fiber Core, Galvanized **253**
- Wire Rope - 6x25, Trolley & Hoists Rope, Fiber Core, Bright & Greased **258**
- Wire Rope - 6x26, Regular Swaged WS, Steel Core, Bright & Greased **254**
- Wire Rope - 6x26, Steel Core, Bright & Greased **255**
- Wire Rope - 6x26, Steel Core, Galvanized **256**
- Wire Rope - 6x36, Compacted, Steel Core, Bright & Greased **254**
- Wire Rope - 6x36, Steel Core, Bright & Greased **255**
- Wire Rope - 6x36, Steel Core, Galvanized **256**
- Wire Rope - 6x36, Steel Core, Galvanized & Greased **254**
- Wire Rope - 6x37, Fiber Core, Bright & Greased **258**
- Wire Rope - 7x7 & 7x19, Aircraft Cable, PVC Coated, Steel Core, Galvanized **251**
- Wire Rope - 7x7 & 7x19, Aircraft Cable, Steel Core, Galvanized **251**
- Wire Rope - 7x7, 7x19, 6x19, 6x26, Steel Core, Stainless **252**
- Wire Rope - 7x7, 7x19, Aircraft Cable, PVC Coated, Steel Core, Stainless **252**
- Wire Rope - 8X19, SEALE, IWRC 1960 N/MM2, Galvanized, A-2 Lube **261**
- Wire Rope - 8x26, Boom Rope, Bright & Greased **257**
- Wire Rope - 8X36, SEALE, IWRC 1960 N/MM2, Galvanized, A-2 Lube **261**
- Wire Rope - Cranemax, M10K, Spin resistant **270**
- Wire Rope - Cranemax, M35X, Shock resistant **267**
- Wire Rope - Cranemax, XL10K, Special hoist **269**
- Wire Rope - Cranemax, XL8K, Special hoist **268**
- Wire Rope - Mooring Line **271**
- Wire Rope - Oceanmax 6D, Drilling Lines **264**
- Wire Rope - Oceanmax 6RT, Riser Tensioner **264**
- Wire Rope - Trawlmaster, FC **266**
- Wire Rope - Trawlstar, FC **265**
- Wire Rope - Trawlstar, IWRC **265, 266**
- Wire Rope Broom Degreaser **230**

**Right to Inspect:**

In the event of the Buyer making a claim against the Company for any reason whatsoever the goods in respect of which any such claim is made shall be preserved intact where delivery for a period of seven days from the notification of the claim to the Company within which time the Company shall have the right to attend at the place where the goods were delivered to investigate the complaint. No claim by the Buyer will be accepted unless this condition is strictly complied with.

**Design Changes:**

The company reserves the right to effect design changes as technical developments may require without prior notice.

**Specifications Provided by Buyer:**

The buyer shall indemnify the Company against any and all liability arising through execution by the Company of any order placed by a buyer in accordance with the Buyer's specification where such execution infringes any patent, trademark, or registered design not owned by the buyer or the Company.

**Risk, Property and Insurance:**

1. Goods supplied by the Company shall be at the Buyer's risk immediately on delivery to the buyer or into custody on the buyer's behalf (whichever is the sooner) the buyer should therefore arrange insurance accordingly unless the Company has specifically agreed to arrange insurance of the goods.
2. The property in the goods supplied by the Company will pass to the buyer when (1) the goods the subject of the Contract in question and (2) all other goods the subject of any contract between the Company and the buyer which have been delivered to the buyer (prior to the payment in full for the goods the subject of the contract in question) have been paid in full.
3. In the event that the buyer resells or hires out goods supplied by the Company (either in the original form, or after alterations by the buyer and/or after they have been added to an item manufactured by the buyer) prior to the passing of the property therein to the buyer such resale or hire shall be effected by the buyer as bailee for the Company and the proceeds of such sale or hire shall be held on trust for the Company in a separate bank account opened by the buyer for this purpose and these proceeds shall be received by the buyer for and on behalf of the Company unless all debts owing to the Company by the buyer in respect to the goods supplied by the Company have been paid.
4. So long as the property and goods remain the Company and the buyer is in default of such obligation hereunder the Company shall have the right, with or without prior notice to the buyer, to take possession of the goods and for that purpose to go onto any premises occupied by the buyer) and on such retaking of possession the contract shall be deemed to have been determined without prejudice to any claim or rights the Company might otherwise make or exercise.
5. Until payment due under all contracts between the Company and buyer has been made in full the buyer shall hold upon trust for the Company the goods (either in their original form, or after alterations by the buyer and /or after they have been added to an item manufactured by the buyer) and shall in so far as may be possible store them in such a way as they may be identifiable as the property of the Company and separate from all other goods in the buyers possession.
6. Until payment due under all contracts between the buyer and the Company has been made in full the Company shall be entitled to trace all proceed of sale or hire charges received by the buyer on sale of the goods (either in their original form or after alteration by the buyer and/or after they have been added to an item manufactured by the buyer) received by the buyer through any bank or other account maintained by the buyer and the buyer will provide every assistance free of charge to the Company for the same.
7. Until payment due under all contracts between the buyer and Company has been made in full if the buyer sells or hires the goods (either in their original form or after alteration by the buyer and /or after they have been added to an item manufactured by the buyer) in the ordinary course of its business the buyer shall assign its rights to recover the selling price or hire charges from the third parties concerned to the Company if required to do so in writing by the Company.
8. Every insurable risk shall pass to the buyer as soon as the goods are delivered to it or into custody on its behalf. The buyer shall keep the goods insured in the amount of the price at which the goods are sold to the buyer against all insurable risks until payment due under all contracts between the buyer and Company has been made in full.
9. Of goods (either in their original form or after alteration by the buyer and/or after they have been added to an item manufactured by the buyer) are destroyed by an insured risk to the same being paid for by the buyer the buyer shall receive the proceeds of any such insurance as trustee for the Company.

**Cancellation:**

Once a contract has come into being between the Company and the buyer, that contract can not be cancelled only with the consent of the Company and upon terms that will indemnify it against loss. The buyer will indemnify the Company for all of the Company's contractual losses and the Company will not be under a duty to mitigate those losses.

**Dispatch Abroad:**

Goods dispatched abroad shall be deemed to have been inspected by the Buyer's agent or representative prior to dispatch from the Company's as no responsibility can be accepted by the Company after goods are consigned for shipment and the Company shall be under no obligation to give the buyer the notice specified.

**Literature:**

Illustrations, weights, measures, performance capabilities, application suitability information and other data set out in the sales literature of the Company are statements of opinion and are provided for information only and form no part of the contract.

**Law of Contract and Jurisdiction:**

All contracts for the supply of goods by the Company shall be governed by English Law and be within the exclusive jurisdiction of the Nova Scotia Courts.

**Definition:**

In these conditions "the Company" means the company upon whose document these conditions are endorsed.

**General:**

1. All quotations are made and all orders are accepted subject to the following conditions. All other conditions whatsoever are excluded from the contract or any variation thereof, unless expressly accepted by the Company in writing.
2. Acceptance of delivery of the goods shall where no prior agreement has been reached be conclusive evidence of acceptance of these conditions.
3. Quotations shall only be available for acceptance for a maximum period of 10 days from the date thereof and may be withdrawn or altered by the Company with in such period at any time without notice.





4. Goods sold from stock are offered subject to the same being unsold upon receipt of the order.
5. The goods are subject to specifications (including dimensions, weights, analyses and properties) stated expressly in the contract or where none is specified, to the specification published by the company or where none is published to any relevant standards or code of practice.
6. Any typographical, clerical or other error or omission in any sales literature, quotation, price list, acceptance of offer, invoice or other document or information issued by the Company shall be subject to correction without any liability on the part of the Company.
7. The buyer shall not be entitled to retain any more money due to the Company under a contract unless previously agreed in writing by the Company's authorized representative.

**Delivery:**

Any date named by the Company for dispatch or delivery is given and intended as an estimate only and is not to be of the essence of the Contract. The buyer shall nevertheless be bound to accept the goods ordered whether available on or after the date stated. The Company shall be not be liable in any way in respect of late dispatch or delivery however caused nor shall failure to dispatch be deemed to be a breach of the Contract. Where drawings, specifications, instructions and materials are to be supplied by the buyer, the buyer shall supply the same in reasonable time to enable the Company to dispatch within the period named.

The Company may, at its discretion, make installment deliveries and each delivery shall constitute a separate order for the purpose of payment.

**Damage or Loss in transit:**

No claim for damage or corrosion in transit or shortage of delivery of goods will be entertained unless a separate notice in writing is given to the Company and /or the carrier concerned within three days of receipt of the goods followed by a complete claim in writing to the Company within five days of receipt of the goods.

**Non delivery:**

No claim for loss or non-delivery of goods will be entertained unless in writing is received within seven days of the invoice date.

**Storage:**

The Company reserves the right to charge for storage and /or any other costs incurred in the event of deferment or delay in delivery at the request and /or action of the Buyer.

**Prices:**

The Company reserves the right to increase any prices agreed between the Company and the Buyer in accordance with market conditions and the company's price for similar goods ruling at the date of dispatch and the buyer shall pay such additions in addition to the quoted price. Without prejudice to the generality of the foregoing market conditions shall included any increases in the cost of labor, materials, transport and any other costs between quotation and dispatch.

**HST and GST Taxes:**

All taxes will be charged at the rate applicable at the date of dispatch. The quoted prices do not include any taxes.

**Carriage and Packaging:**

The cost of carriage and packaging shall be paid for by the customer in addition to price payable for the goods, unless agreed beforehand between the customer and the Company.

**Terms of Payment:**

1. Terms of payment are that invoices must be settled in full within 30 days from the date of the invoice.
2. If the buyer fails to make any payment on the due date then, without prejudice to any other right or remedy available to the Company, the Company shall be entitled to: (a) Cancel the contract and suspend any further deliveries to the buyer, (b) Appropriate any payment made by the buyer to such of the goods (as goods supplied under any other contract between the buyer and the Company) as the Company may think fit. (c) Charge the buyer interest (both before and after any judgement) on the amount unpaid, at the rate of 10% per annum over the base lending rate of the Company's own bankers, until payment in full is made (a part of a month being treated as a full month for the purpose of calculating interest).

**Defective and Damaged Goods:**

No claim against the Company for goods represented by the defective, from whatever cause, or not to conform to the Contract can be entertained, and the Company shall incur no liability in respect thereof unless received by the Company in writing within twenty-eight days after the date of dispatch and the defective goods or goods failing to conform to contract are returned to the Company within the said period of twenty-eight days.

**Returns and Refunds:**

1. Items that are obsolete or Specially Engineered product are not returnable.
2. Oceanside reserves the right to decline any request for a Returned Goods Authorization.
3. Proof of purchase must be established on all returned items. A valid purchase order number is required provided at time of request.
4. Oceanside will not accept the return of merchandise purchased over 60 days from receipt date.
5. The price shown on the Request for Return must coincide with the original invoice price.
6. Oceanside's Order Number and Invoice Number should be furnished at time of request to expedite the processing of Returned Goods Authorization forms.
7. After authorization is received, all returns must be shipped to the designated location.
8. Any material returned without authorization will be subject to an additional handling charge.
9. Returned Goods Authorization will be valid for 30 days from date of issue.
10. The greater of a 20% restocking fee or \$50.00 restocking charge will apply to all authorized returned merchandise. There will be no outbound freight chargeback; however, the customer will be responsible for in-bound freight charges.
11. All returned merchandise will be subject to inspection, and must be in resellable condition upon receipt. Any products returned within the guidelines of this policy or for inspection that is deemed non-Oceanside or non-resellable is subject to rejection or additional fees.

**Limit of Liability:**

In the event of any claim against the Company in respect of any matter whatsoever the Company's liability (if any) shall be limited to the replacement of goods sold in respect of which the liability arises if required and practicable or the buyer shall be given a credit for the invoiced value of the order in respect of which the liability arises. Under no circumstances whatsoever shall the Company be liable for any consequential loss or damage or any personal injury or damage or loss of any property other than as stated herein howsoever and whatsoever arising. Any express or implied conditions, statement, warranty, statutory, or otherwise, are hereby excluded save where such exclusions are invalidated by statute. No claim by the Buyer shall be accepted as a reason for cancellation of the remainder of the order.



**WIRE ROPE SLING CHARTS**

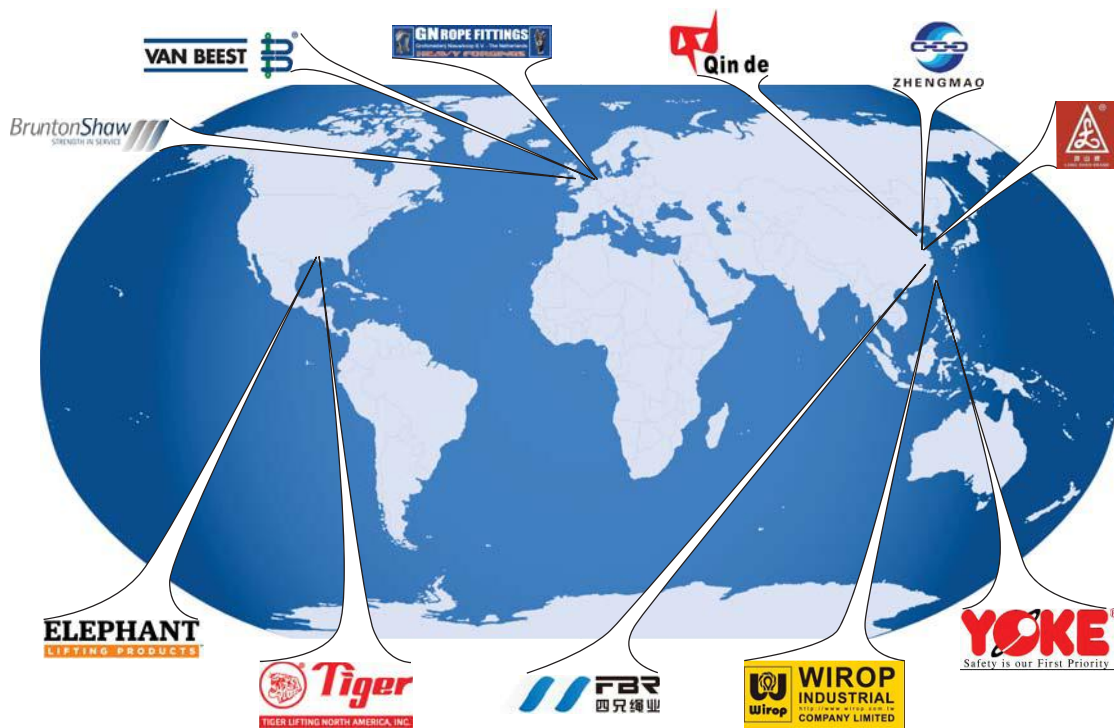
Wire Rope Dia. (in)	Single Leg			2 Slings or Basket Hitch			2 Sling Basket Hitch			2 Sling Choker Hitch		
	Vertical	Choker	V.Basket	Horizontal			Horizontal			Horizontal		
1/4"	0.65	0.48	1.3	1.1	0.91	0.65	2.3	1.8	1.3	0.82	0.7	0.48
5/16"	1.0	0.74	2.0	1.7	1.4	1.0	3.5	2.8	2.0	1.3	1.1	0.74
3/8"	1.4	1.1	2.8	2.5	2.0	1.4	4.8	4.0	2.8	1.8	1.5	1.1
7/16"	1.9	1.4	3.8	3.4	2.7	1.9	6.6	5.4	3.8	2.5	2.0	1.4
1/2"	2.5	1.9	5.0	4.4	3.6	2.5	8.7	7.1	5.0	3.2	2.7	1.9
9/16"	3.2	2.4	6.4	5.5	4.5	3.2	11	9.0	6.4	4.1	3.4	2.4
5/8"	3.9	2.9	7.8	6.8	5.5	3.9	14	11	7.8	5.0	4.1	2.9
3/4"	5.6	4.1	11	9.7	7.9	5.6	19	16	11	7.1	5.9	4.1
7/8"	7.6	5.6	15	13	11	7.6	26	22	15	9.7	8.1	5.6
1"	9.8	7.2	20	17	14	9.8	34	28	20	13	10	7.2
1-1/8"	12	9.7	24	21	17	12	42	33	24	16	13	9.1
1-1/4"	15	11	30	26	21	15	52	42	30	19	16	11
1-3/8"	18	13	36	31	25	18	62	51	36	23	19	13
1-1/2"	21	16	42	37	30	21	72	59	42	28	22	16
1-3/4"	28	21	56	49	40	28	97	79	56	37	29	21
2"	37	28	74	63	52	37	128	104	74	48	39	28

Wire Rope Dia. (in)	3 and 4 Leg Wire Rope Bridles		
	Horizontal		
1/4"	1.7	1.4	0.97
5/16"	2.6	2.1	1.5
3/8"	3.7	3.0	2.2
7/16"	5.0	4.1	2.9
1/2"	6.6	5.4	3.8
9/16"	8.3	6.8	4.8
5/8"	10	8.3	5.9
3/4"	15	12	8.4
7/8"	20	16	11
1"	26	21	15
1-1/8"	31	26	18
1-1/4"	38	31	22
1-3/8"	46	38	27
1-1/2"	55	45	32
1-3/4"	74	60	42
2"	95	78	55

- Rated load for 6x19 or 6x36 classification.
- Extra Improved Plow Steel (EIPS).
- Independent Wire Rope Core (IWRC).
- Wire Rope - Design Factor of 5:1.
- Loads rated in US/Short Tons (2,000 lb).
- Basket Hitch based on D/d Ratio of 25.
- Flemish Ferrule Eye Splice.
- Values rounded for convenience.

# B2B

Industrial, Inc.



## Main Office

24 Finland Street, P.O. Box 658  
CopperCliff, Ontario  
P0M 1N0  
1-888-823-5007  
[www.B2Bii.com](http://www.B2Bii.com)

