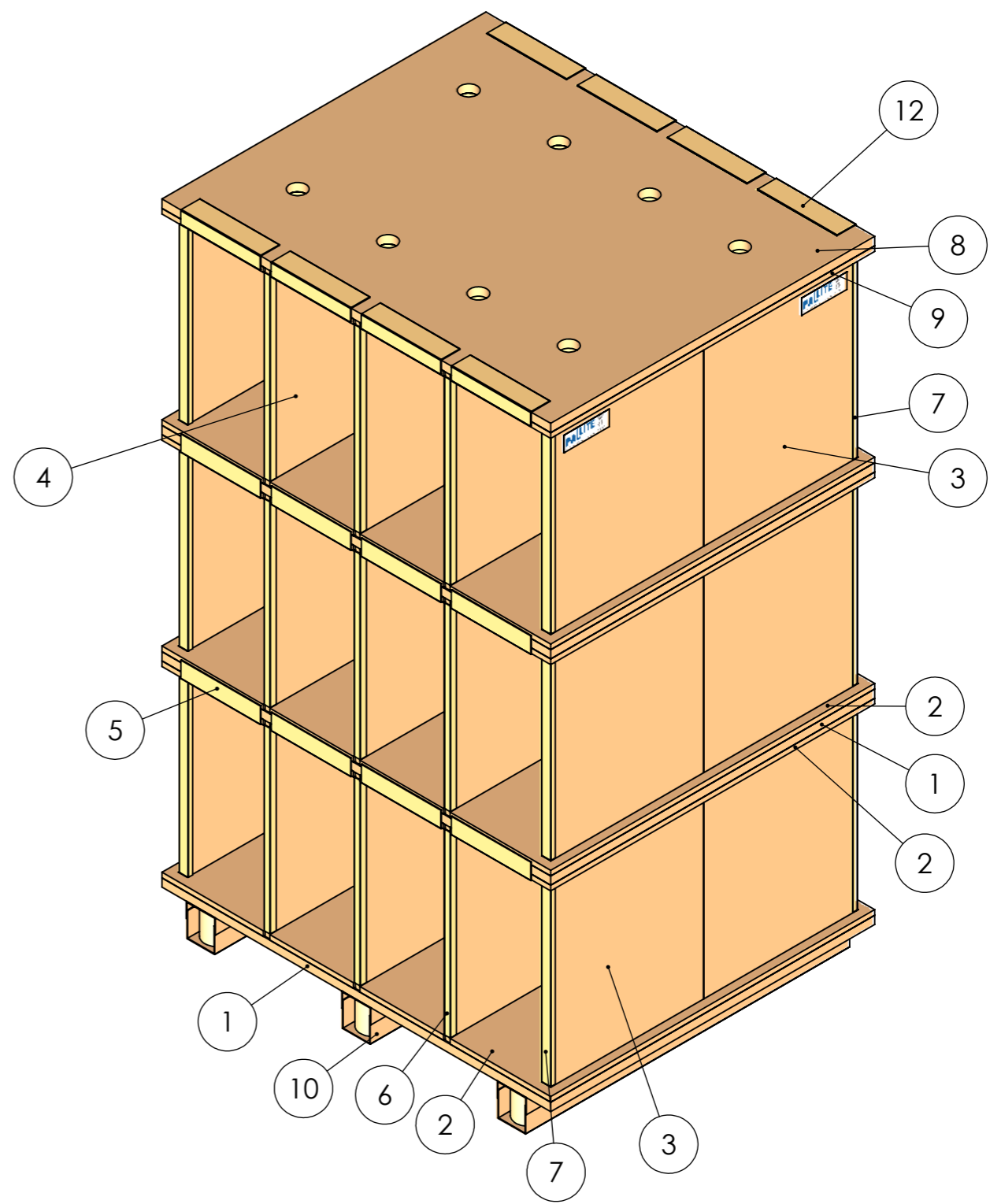
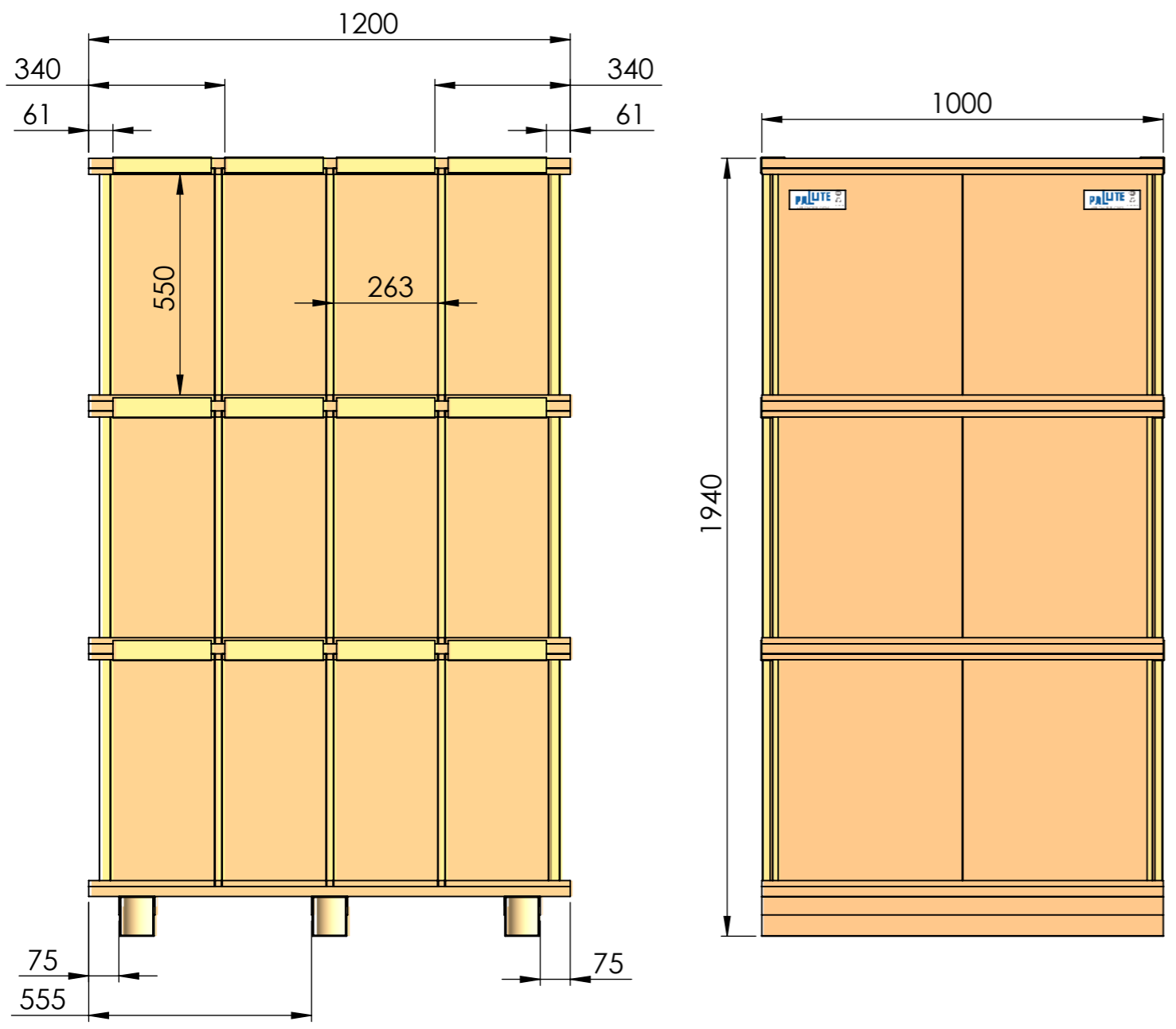


PRODUCT CODE	9021b	CREATED DATE	08/05/2019	REVISED DATE	08/05/2019
<b>DESCRIPTION</b>					
PIX 1200x1000x1940 2S 24PF 3PR1000C10					

ITEM NO.	PART NUMBER	DESCRIPTION	QTY.
1	30006	BASE & HORIZONTAL DECK - 1200x1000M	3
2	30756	Horizontal CNC Insert 2 - 1200x1000M(15)(+CNC)	5
3	40262	SLEEVE - 1988x580M	6
4	30878	VERTICAL DIVIDER - 580x472M(15)	18
5	800035	EP - 250x75x50	16
6	70011	U PROFILE - 19x16x1.5x550	18
7	70012	U PROFILE - 14x25x1.5x550	12
8	30758	LID - 1200x1000M(+CNC)	1
9	30757	Horizontal CNC Insert 1 - 1200x1000M(15)(+CNC)	1
10	20034b	PR1000C10 -100mm	3
11	800038	MEDIUM LABEL	4
12	50041	EP - 245x60x40	8



<b>DRAWN BY</b>	RAHKESH MISTRY	<b>REVISION</b>	1	ALL MEASUREMENTS ARE IN MILLIMETRES (MM) UNLESS STATED
				TOLERANCE : +/- 2.00MM

\\192.168.101.1\Operations\Drawing\SolidWorks\PIX\9021b\