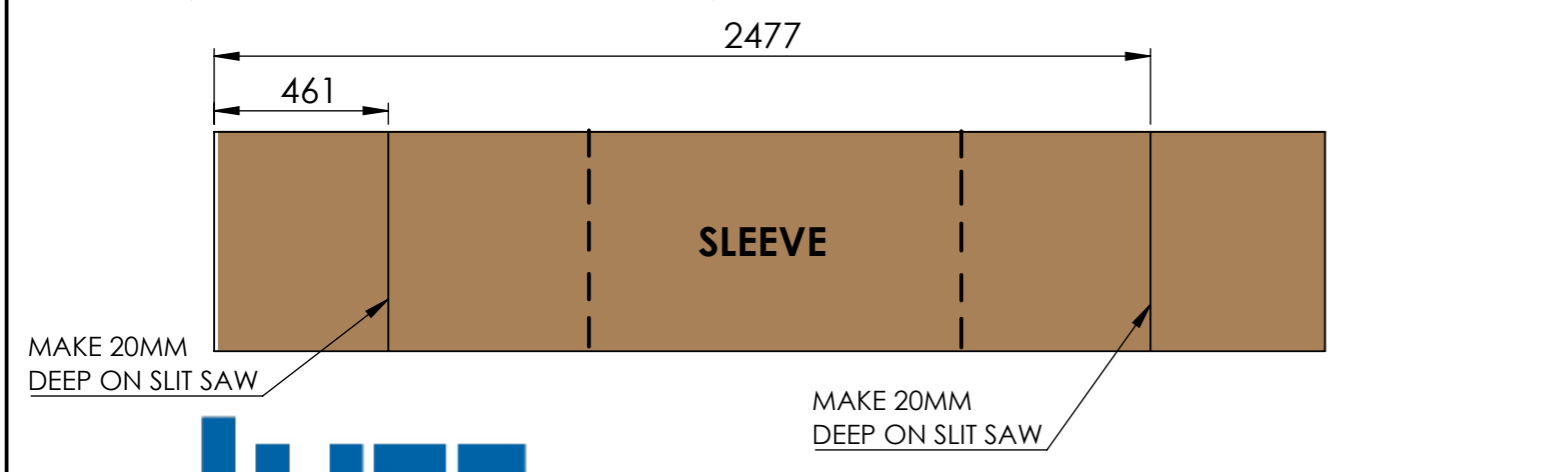
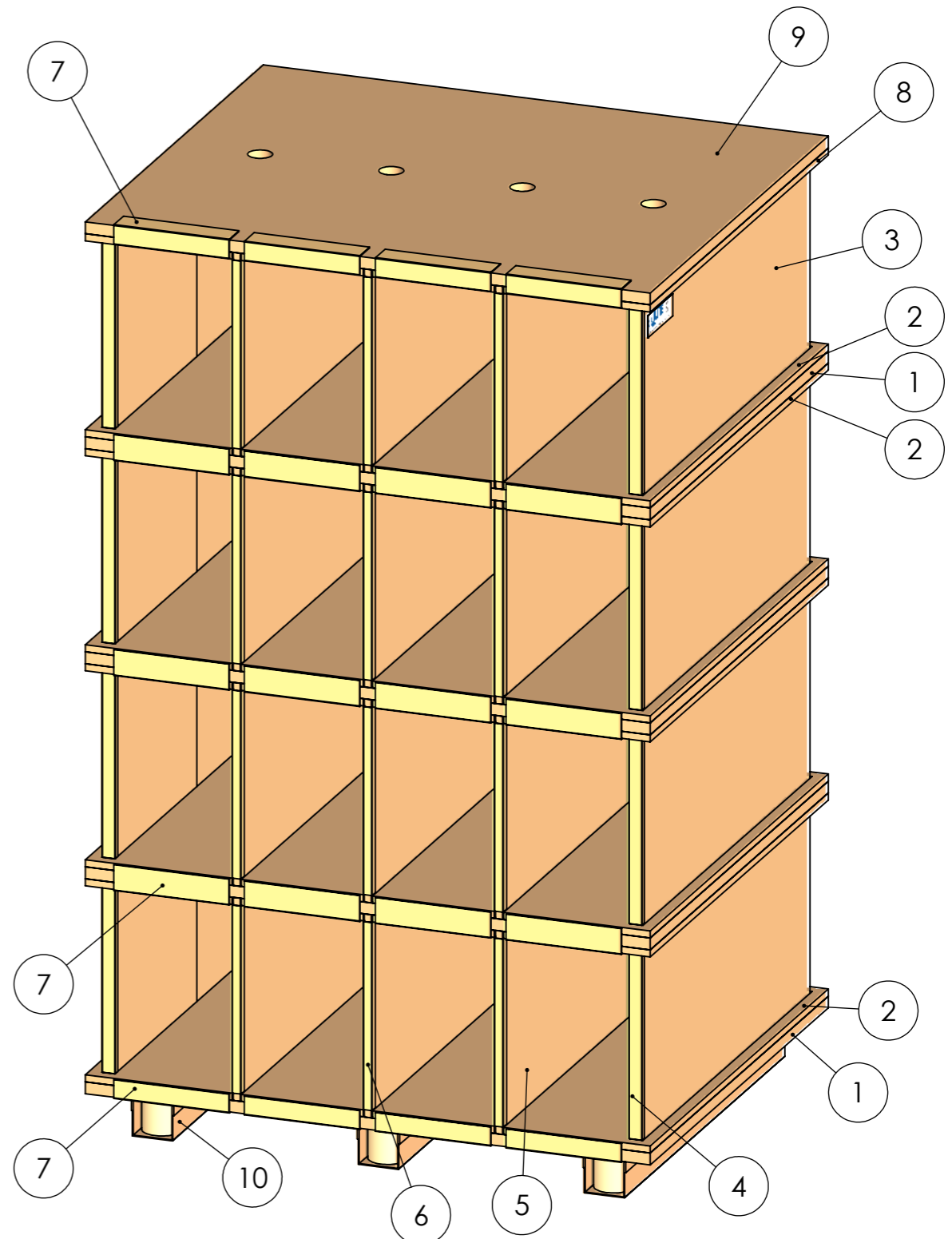
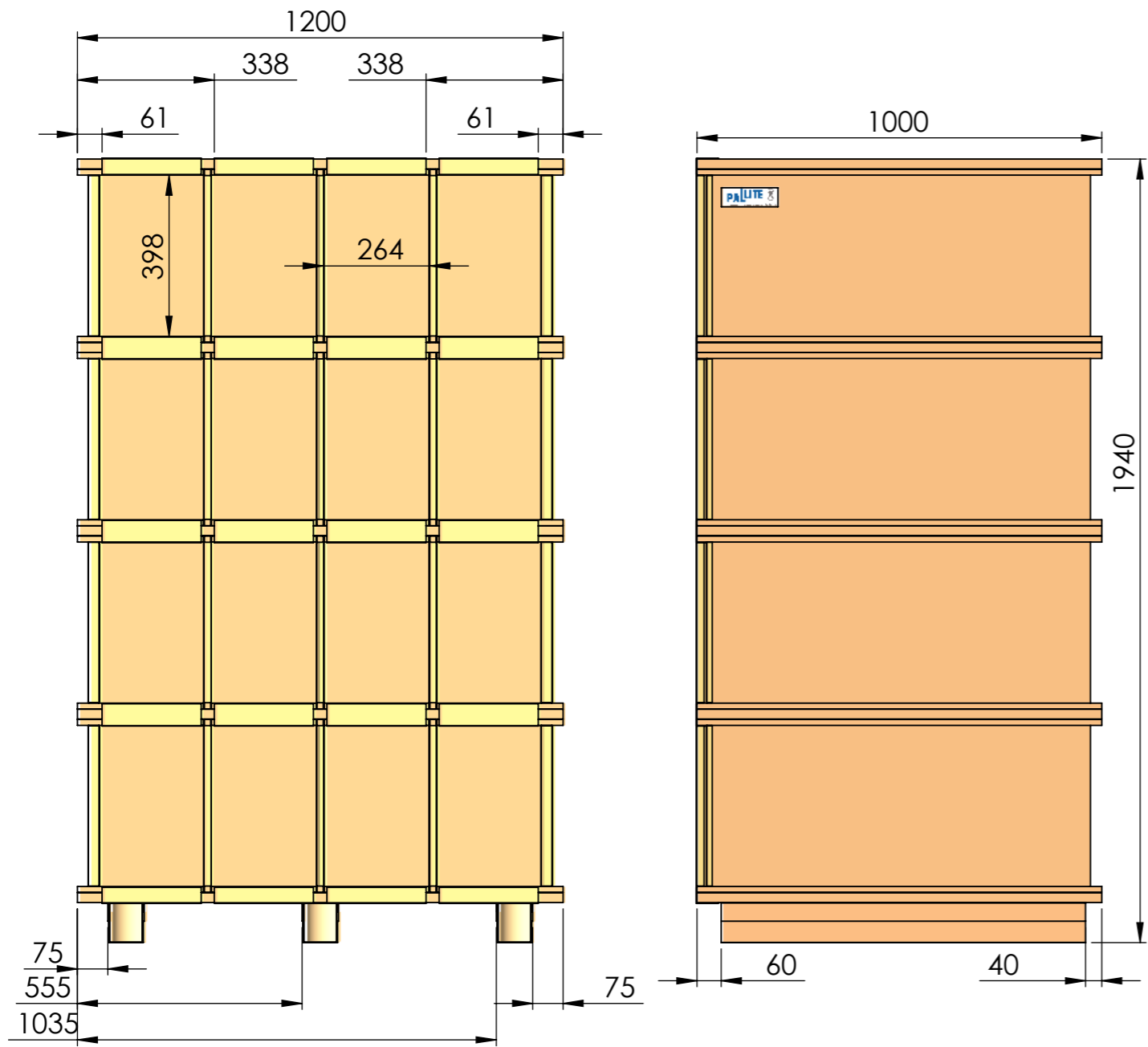


PRODUCT CODE	9016b	CREATED DATE	23/04/2019	REVISED DATE	10/07/2020
--------------	-------	--------------	------------	--------------	------------

DESCRIPTION					
PIX 1200x1000x1940 3S 16PF 3PR900C9					

ITEM NO.	PART NUMBER	DESCRIPTION	QTY.
1	30006	Base & Horizontal - 1200x1000M	4
2	30367	CNC Horizontal Insert 2 - 1200x1000M(15)(+CNC)	7
3	40254	SLEEVE - 2938x428M	4
4	70002	U PROFILE - 14x25x1.5x1200	8
5	30856	VERTICAL DIVIDER - 947x428M(15)	12
6	70003	U PROFILE - 19x16x1.5x396	12
7	800069	EP - 250x55x40	20
8	30828	CNC Horizontal Insert 1 (FOR LID)- 1200x1000M(15)(+CNC)	1
9	30827	LID - 1200x1000M(+CNC)	1
10	20076b	PR900C9-100	3
11	800057	LABEL	2



DRAWN BY	RAHKESH MISTRY	REVISION	2	ALL MEASUREMENTS ARE IN MILLIMETRES (MM) UNLESS STATED
				TOLERANCE : +/- 2.00MM

\\192.168.101.1\Operations\Drawing\Products\PIX\9016b\