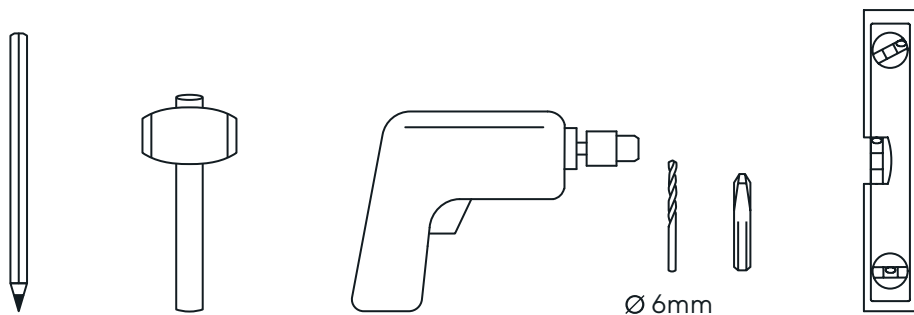
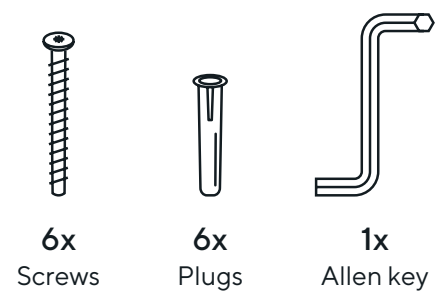


Required tools



Hardware included

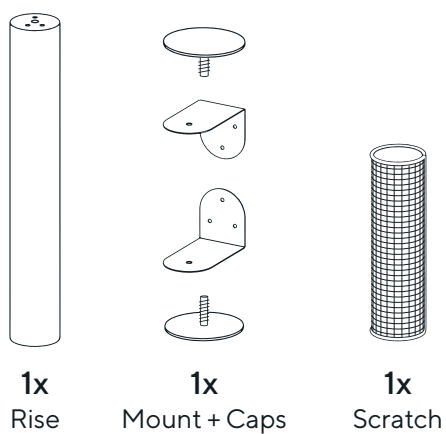


6x
Screws

6x
Plugs

1x
Allen key

Components included



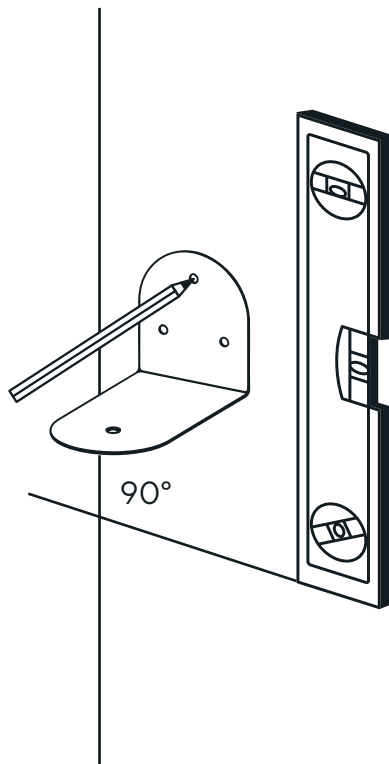
1x
Rise

1x
Mount + Caps

1x
Scratch

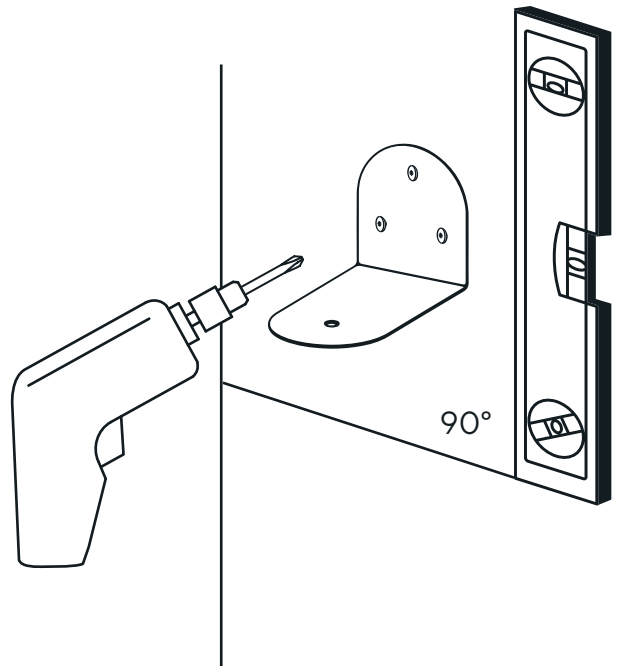
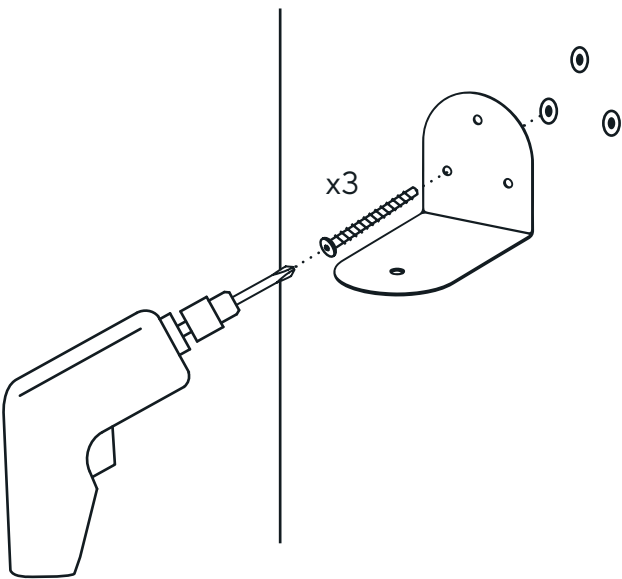
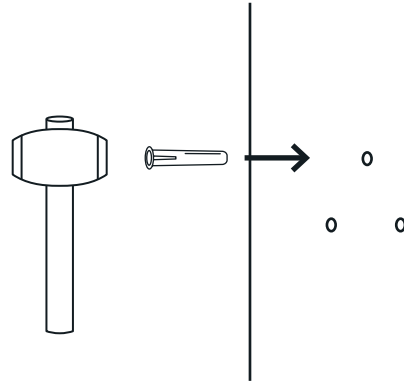
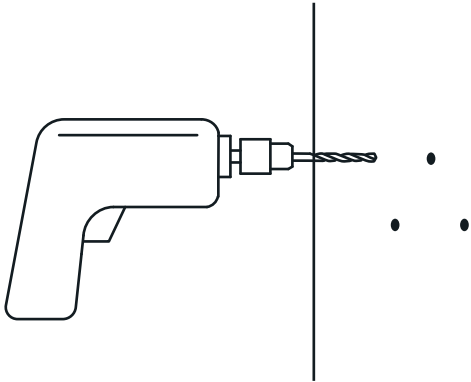
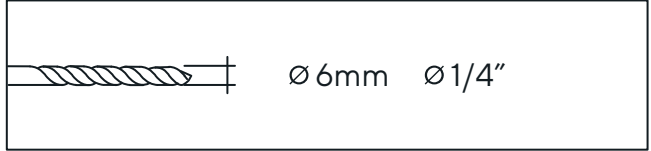
01

Indicate where
to drill



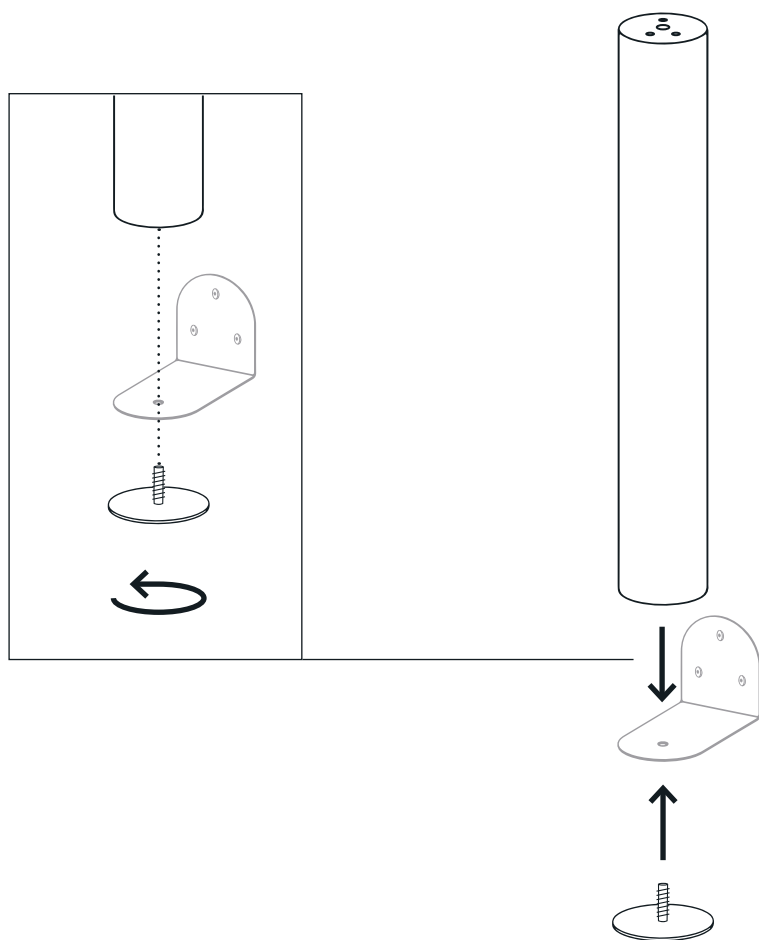
02

Drill holes and fix the bottom Mount



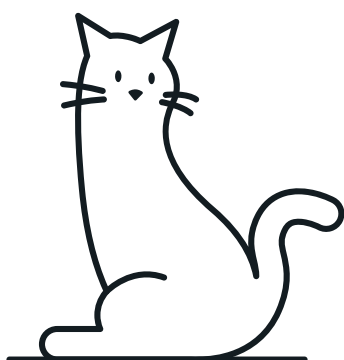
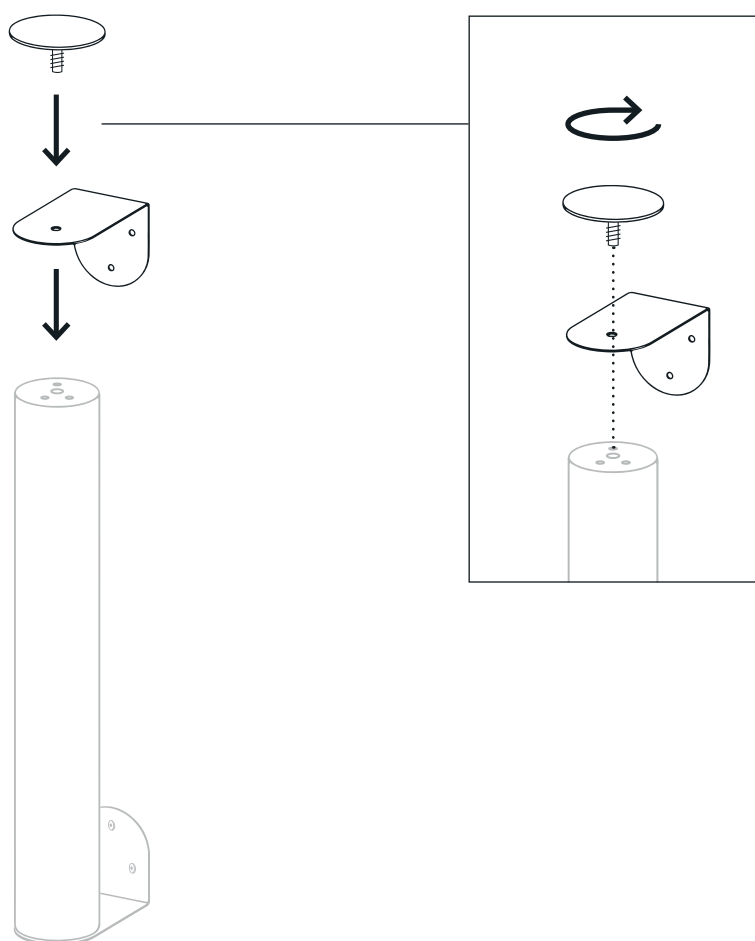
03

Connect the Rise to the bottom Mount with the Cap



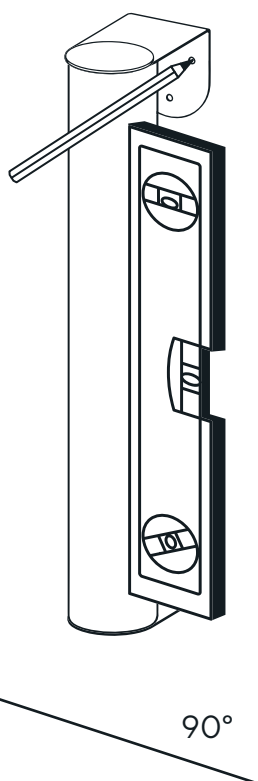
04

Connect the top Mount to the Rise with the Cap



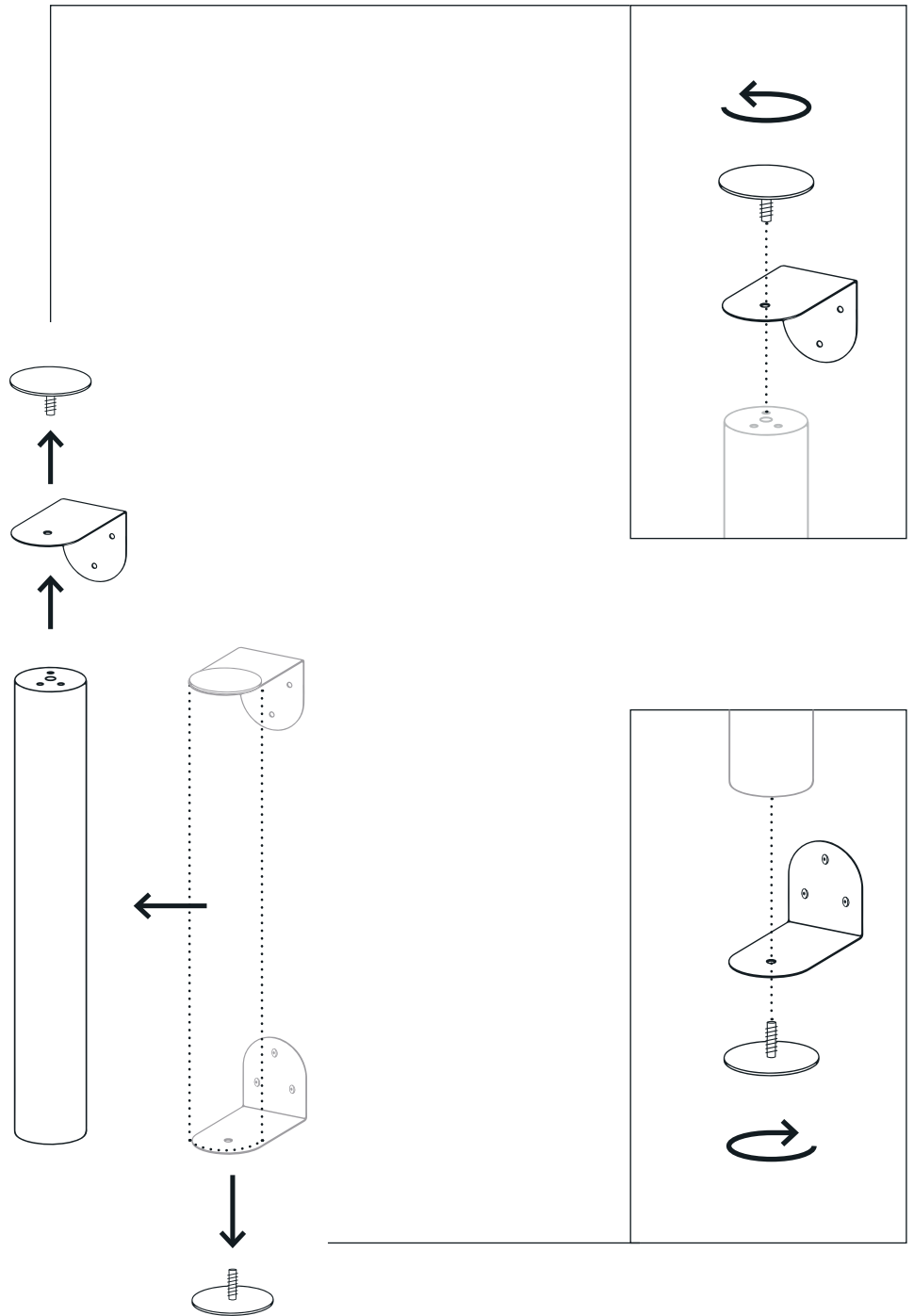
05

Indicate where
to drill



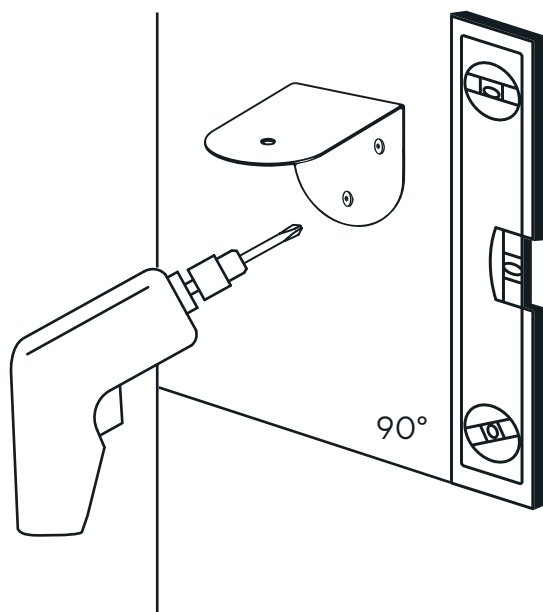
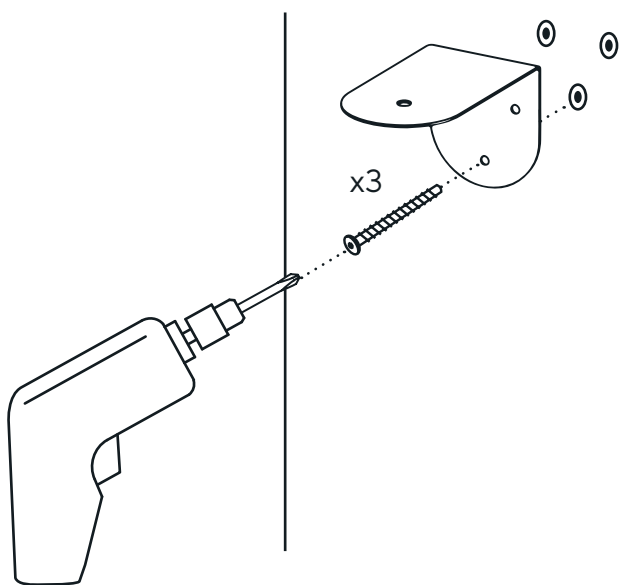
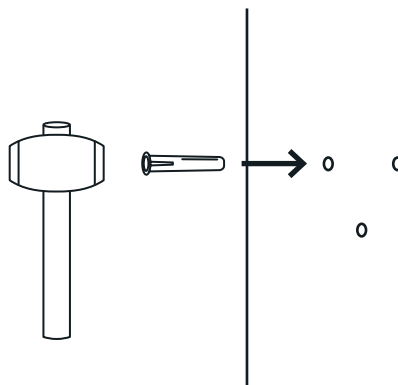
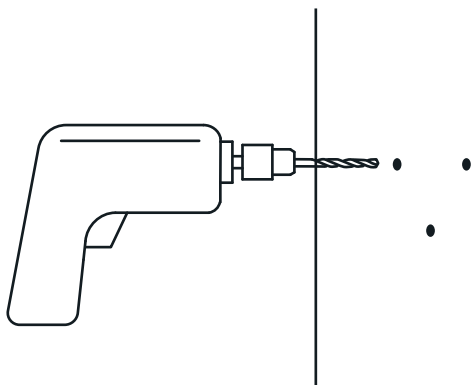
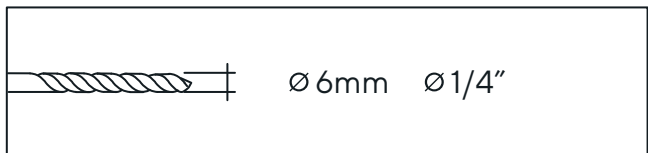
06

Take off the Rise,
top Mount and Cap
from the bottom
Mount



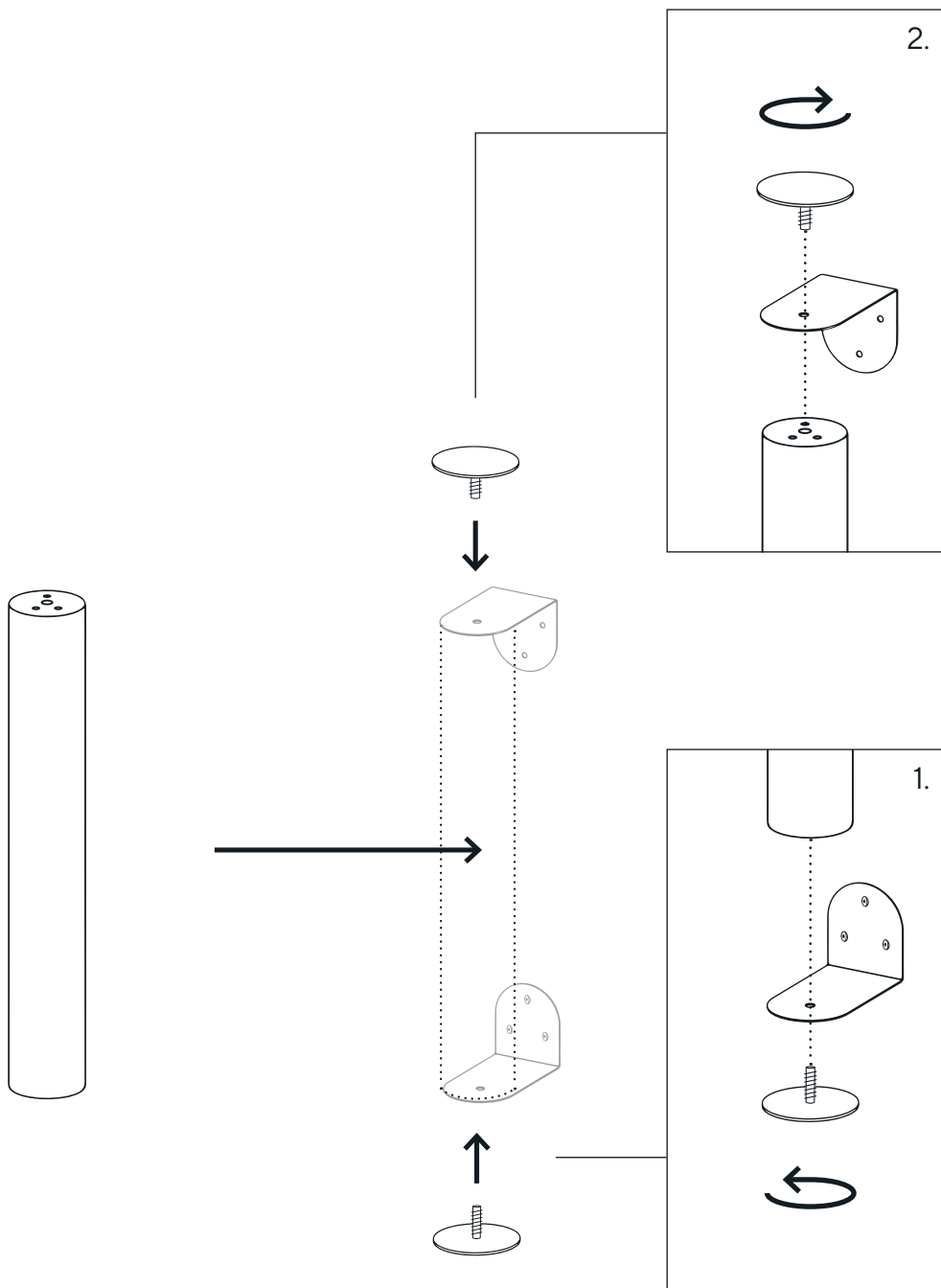
07

Drill holes and install the top Mount



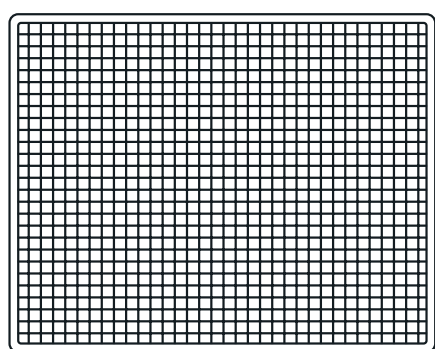
08

Install the Rise between the Mount

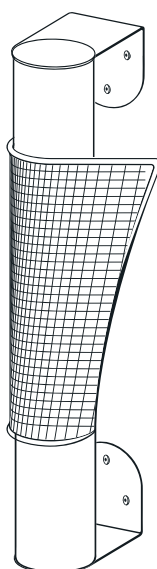


09

Add Scratch over the Rise



Open



Close

Finished

