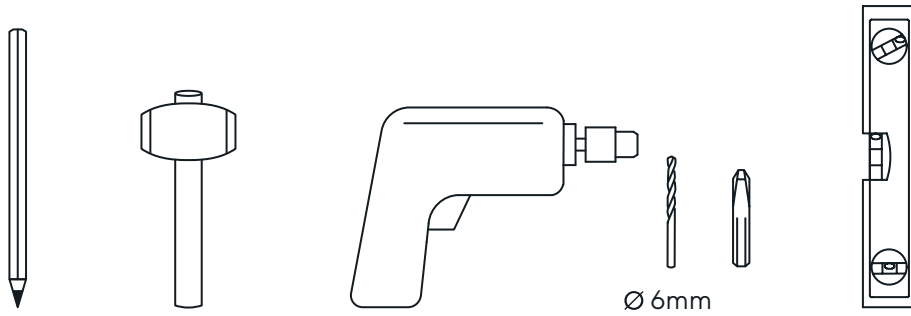
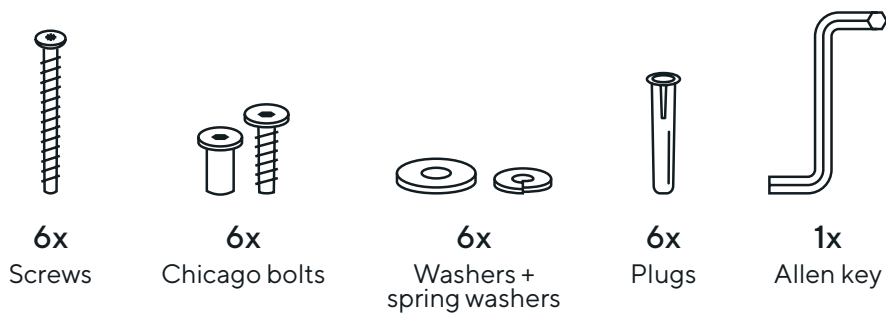


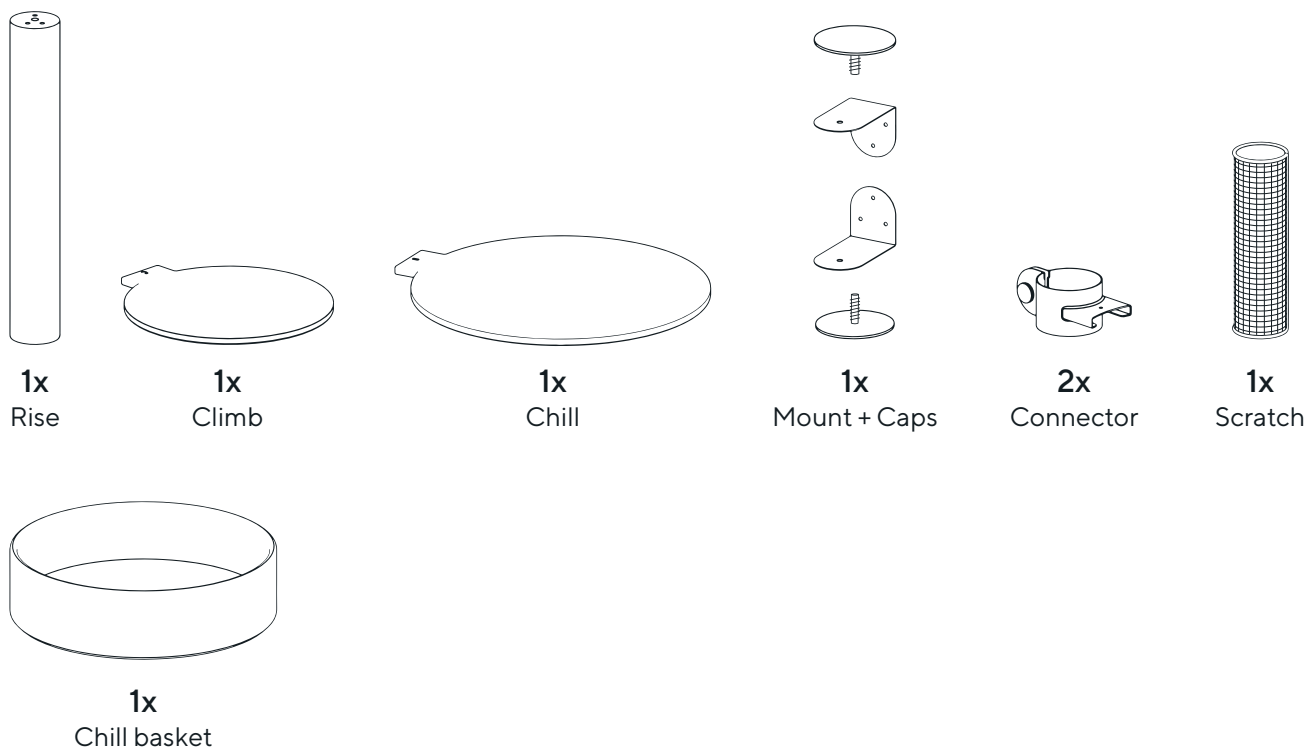
## Required tools



## Hardware included

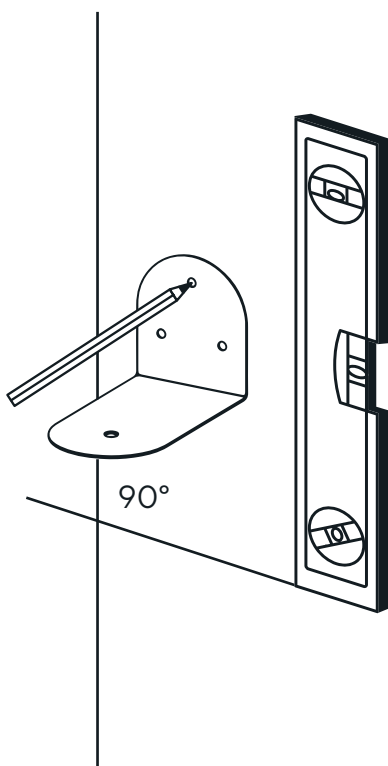


## Components included



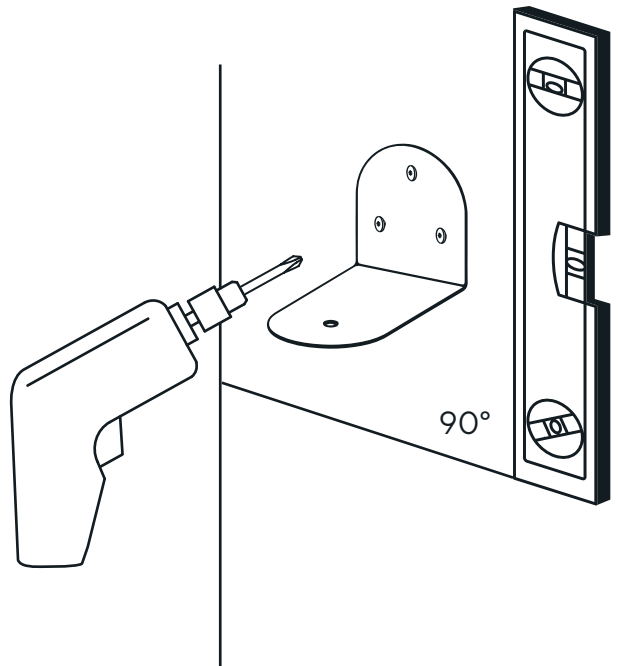
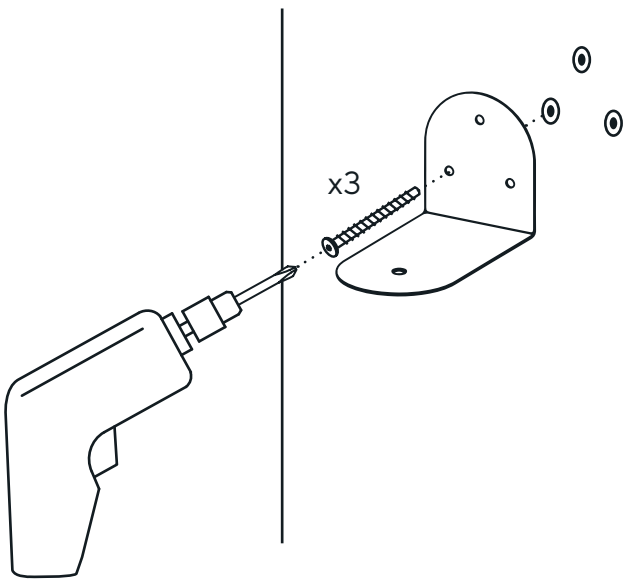
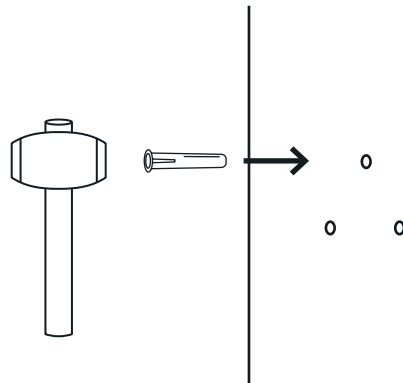
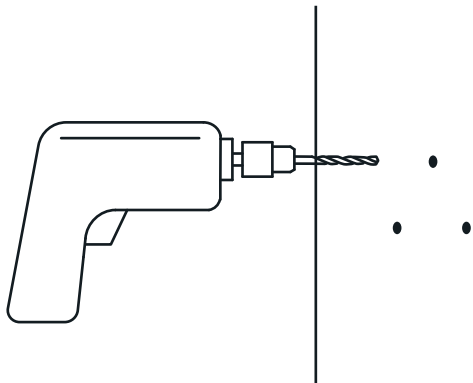
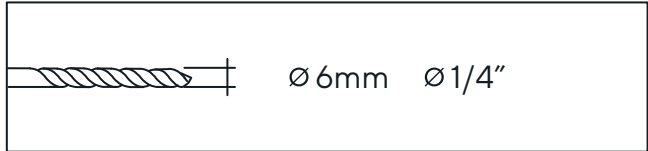
01

Indicate where  
to drill



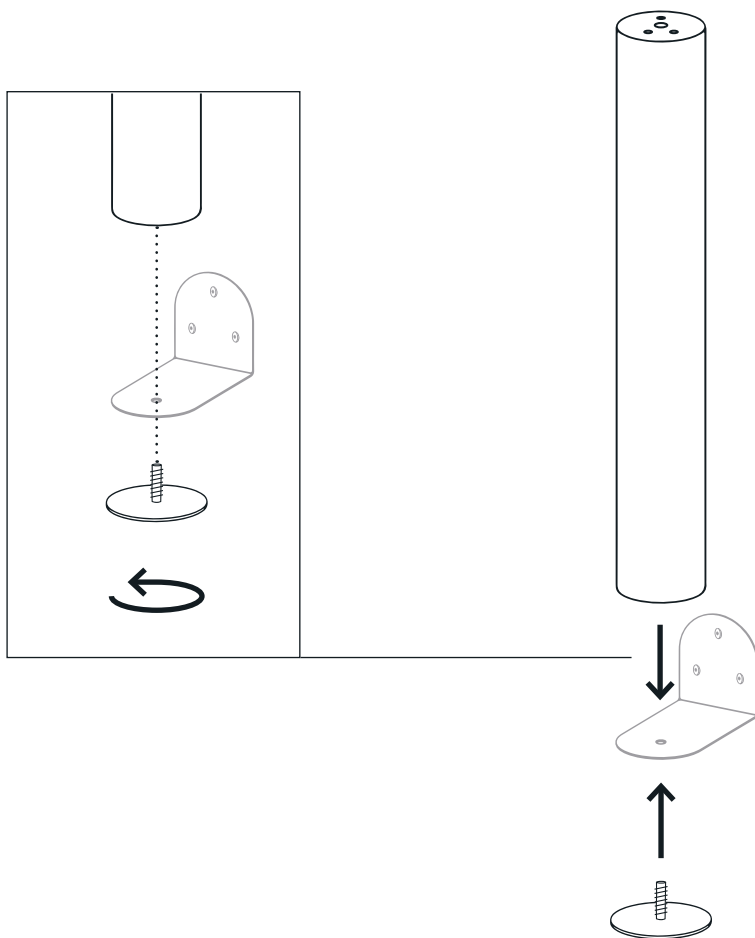
02

### Drill holes and fix the bottom Mount



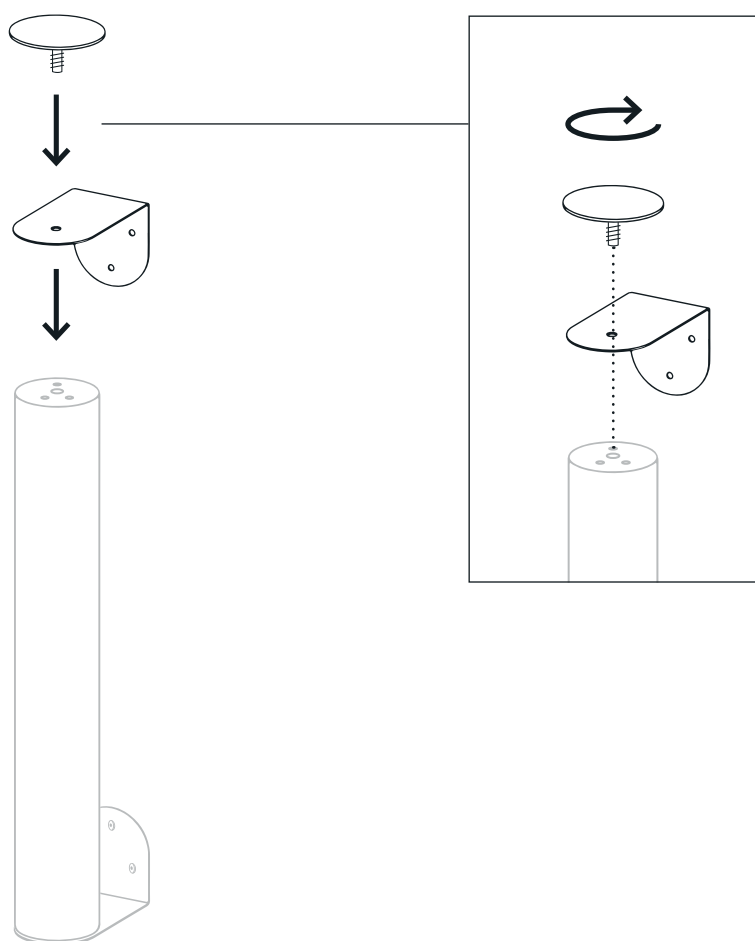
03

### Connect the Rise to the bottom Mount with the Cap



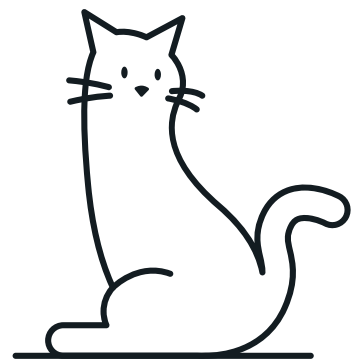
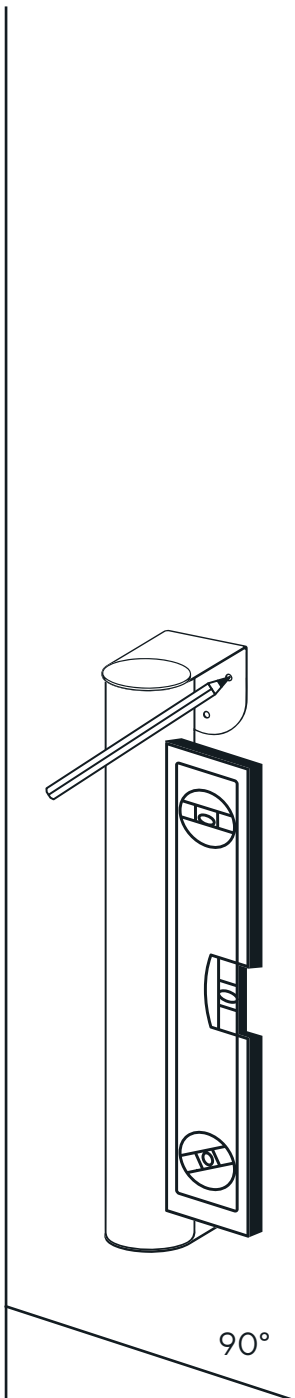
04

Connect the top Mount to the Rise with the Cap



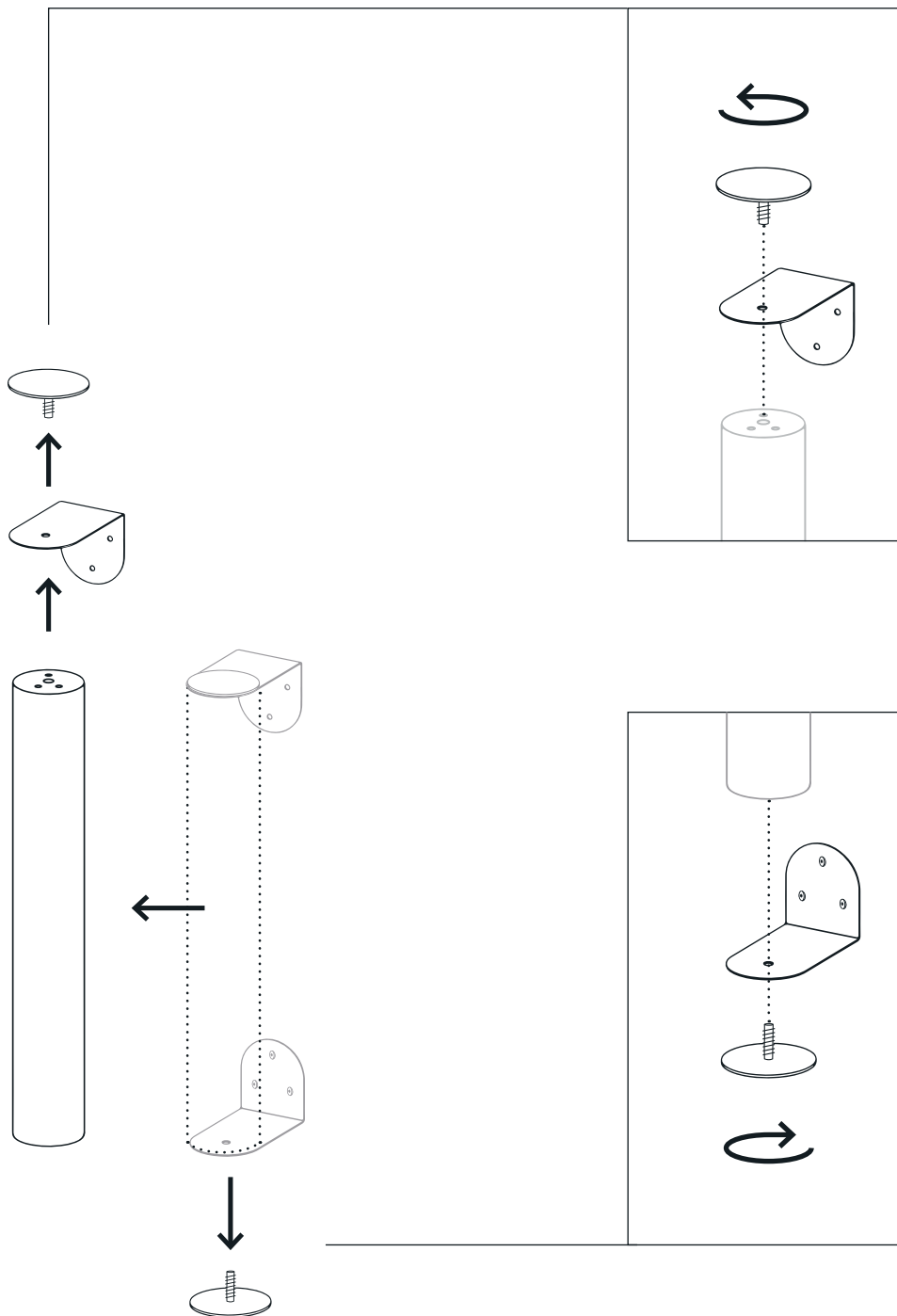
05

Indicate where  
to drill



06

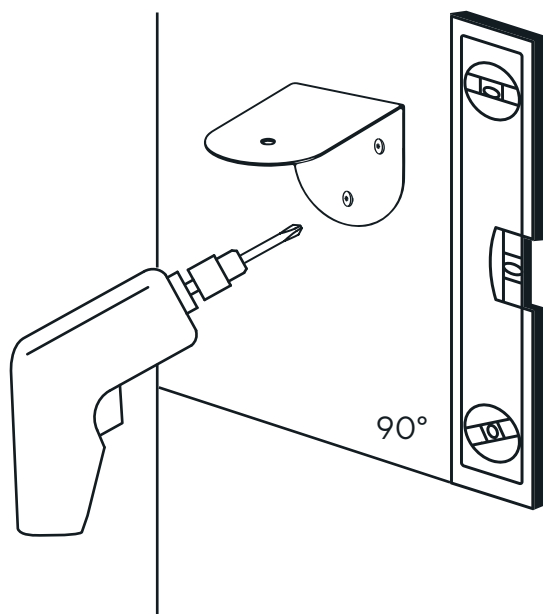
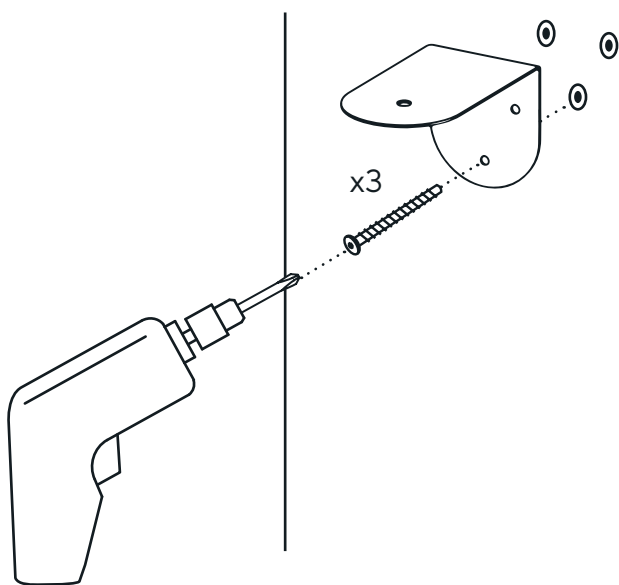
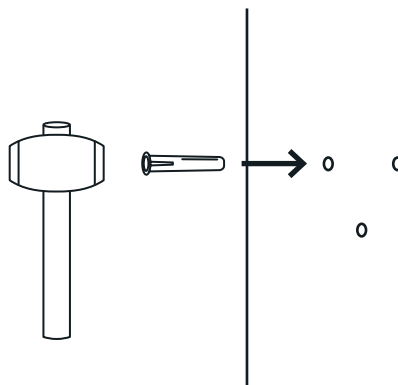
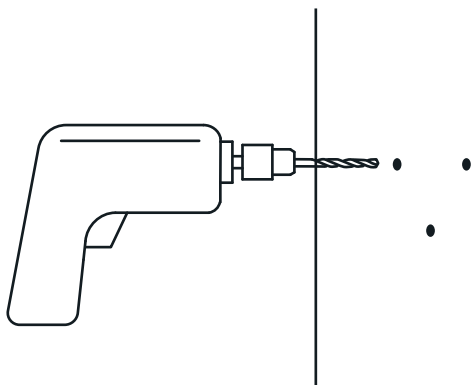
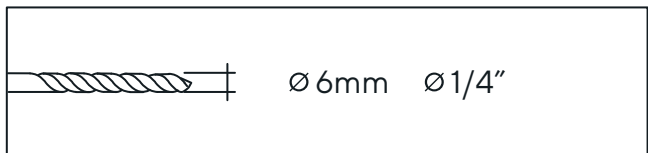
Take off the Rise,  
top Mount and Cap  
from the bottom  
Mount





07

### Drill holes and install the top Mount

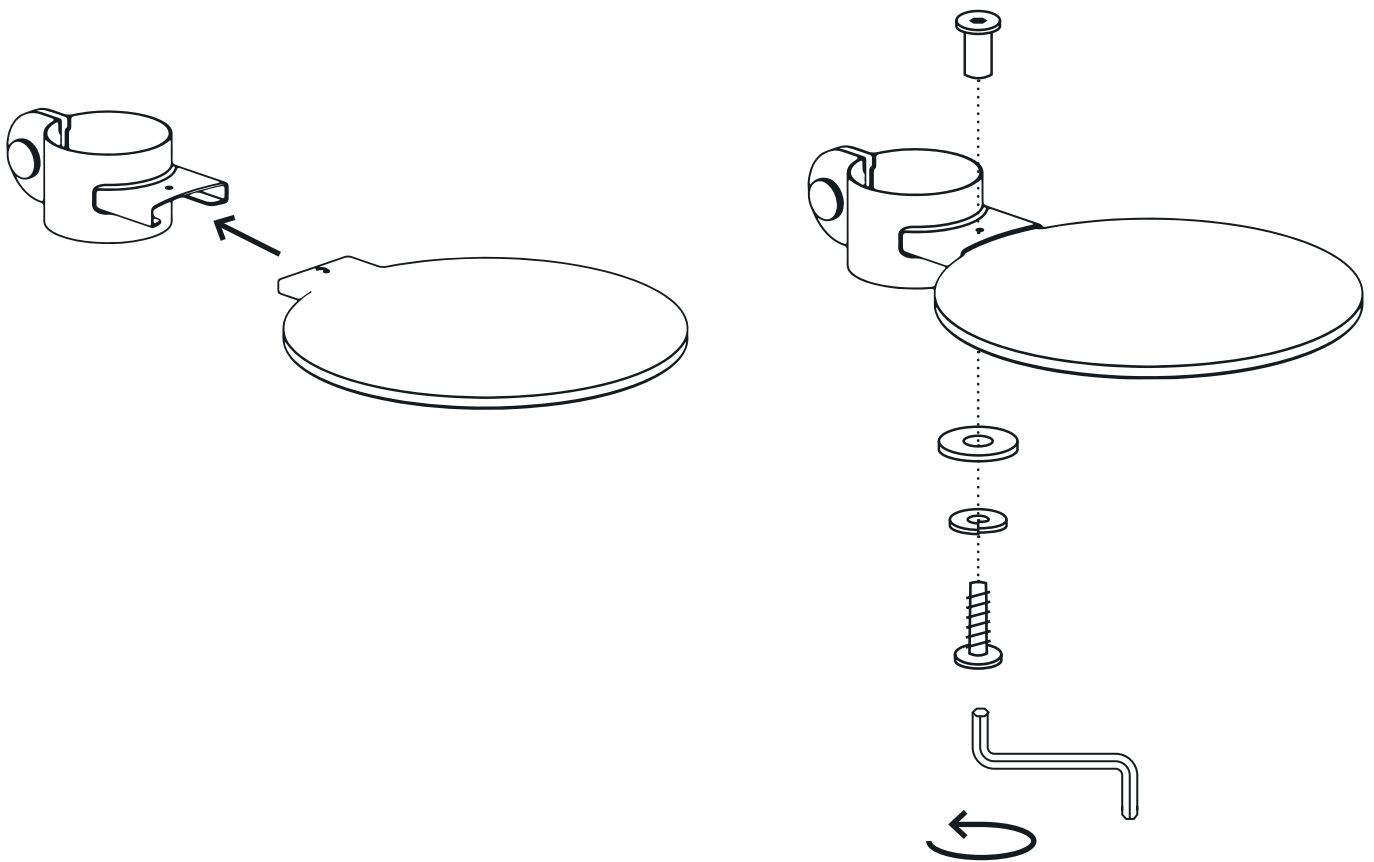


08

Connect  
platforms to  
the Connectors

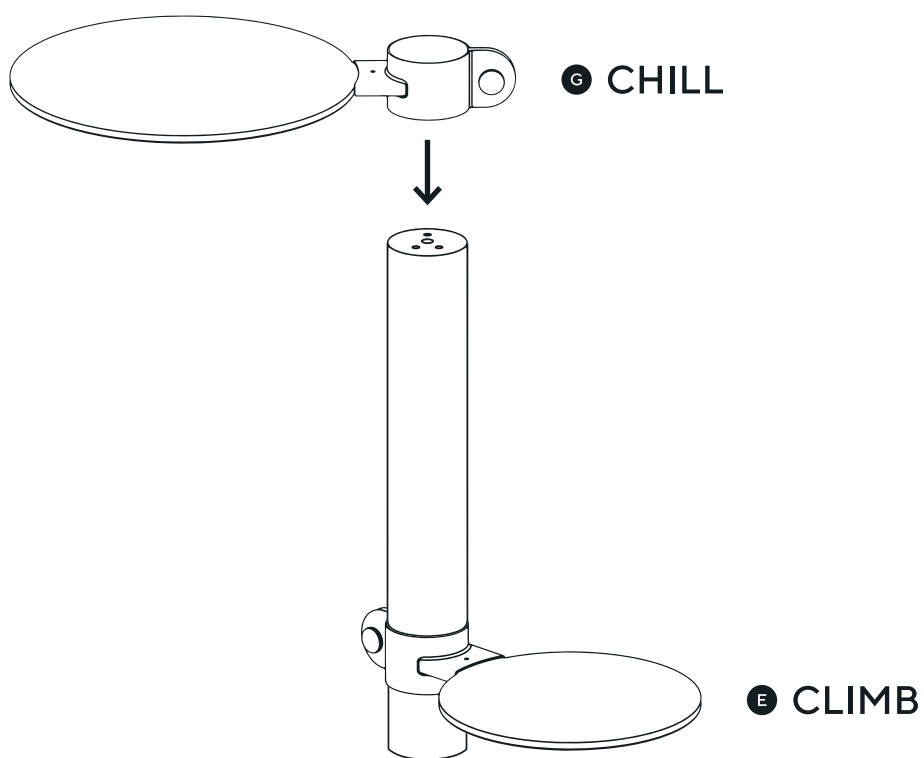
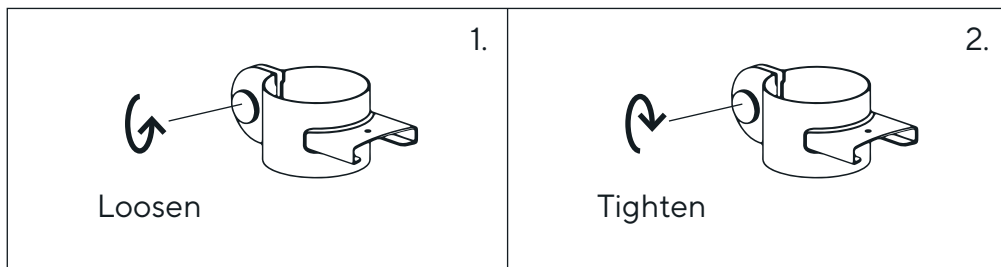
**E** CLIMB x1

**G** CHILL x1



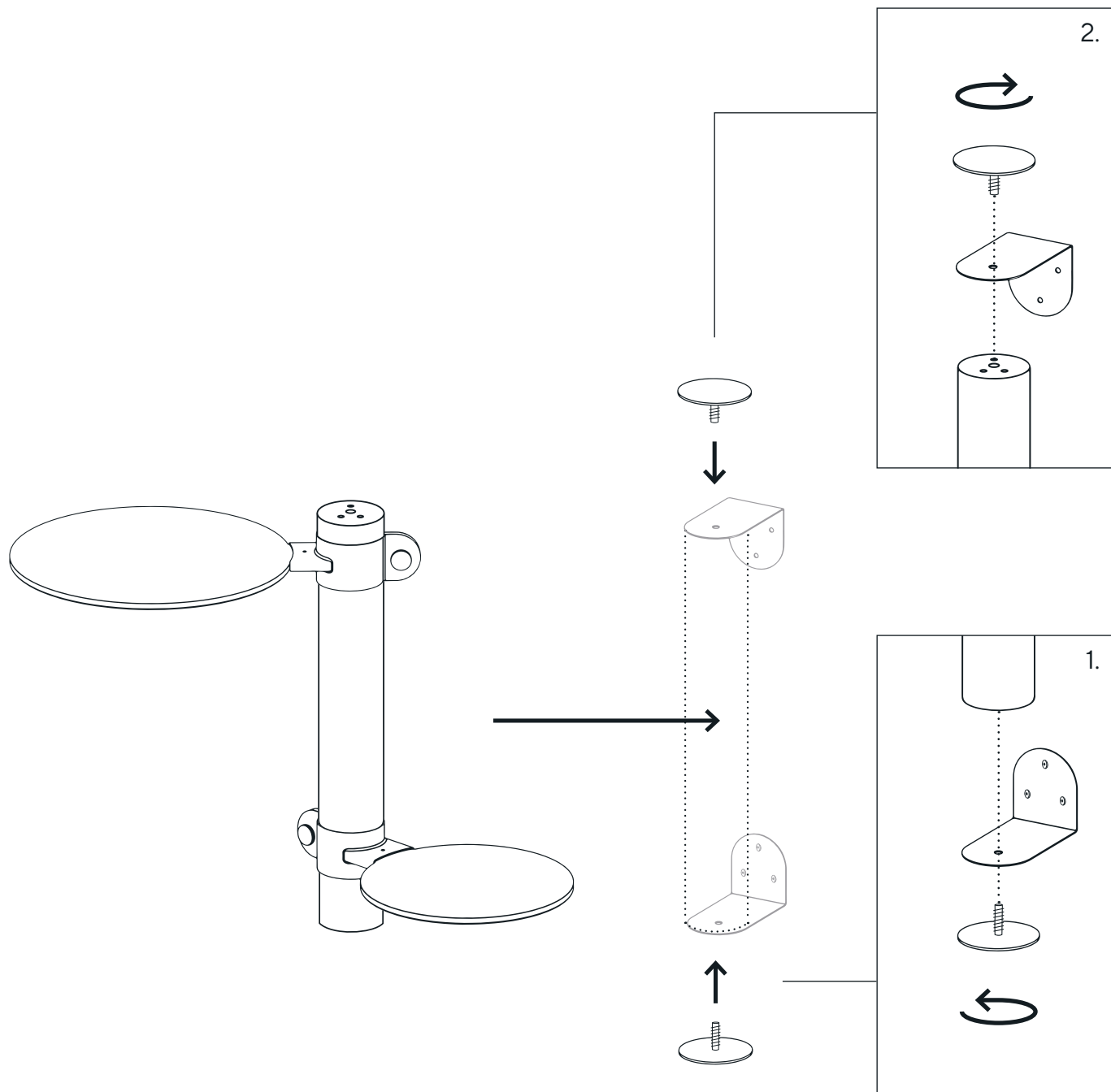
09

### Slide over Rise

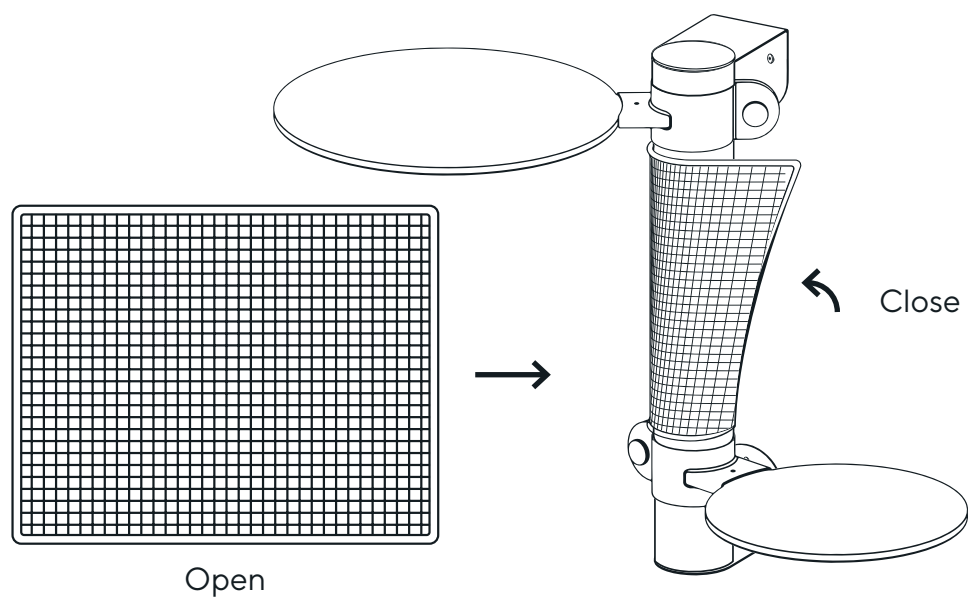


10

# Install the Rise with platforms between the Mount

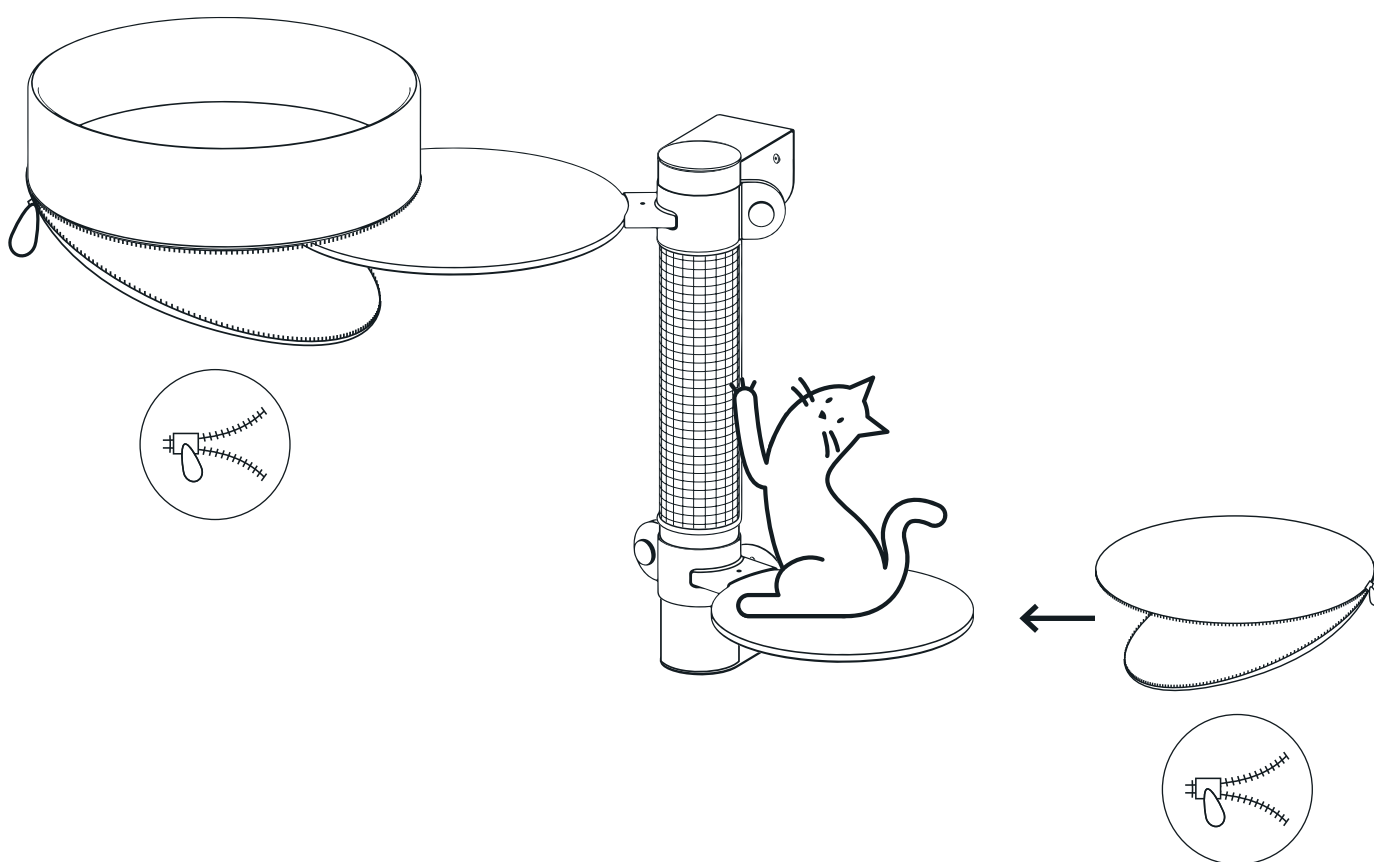


### Add Scratch over the Rise



12

Add Climb cover and Chill basket to the platforms



Finished

