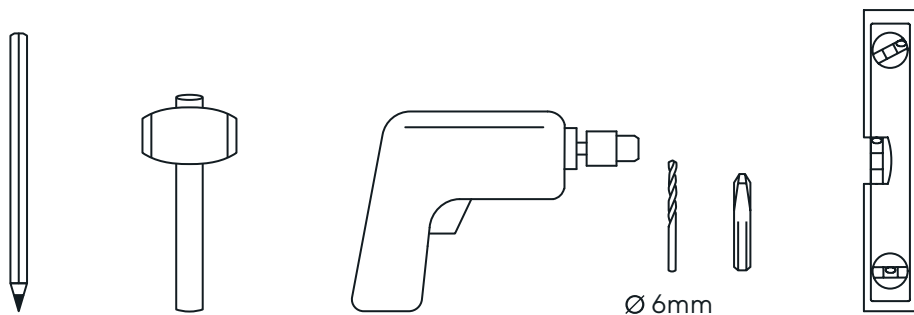
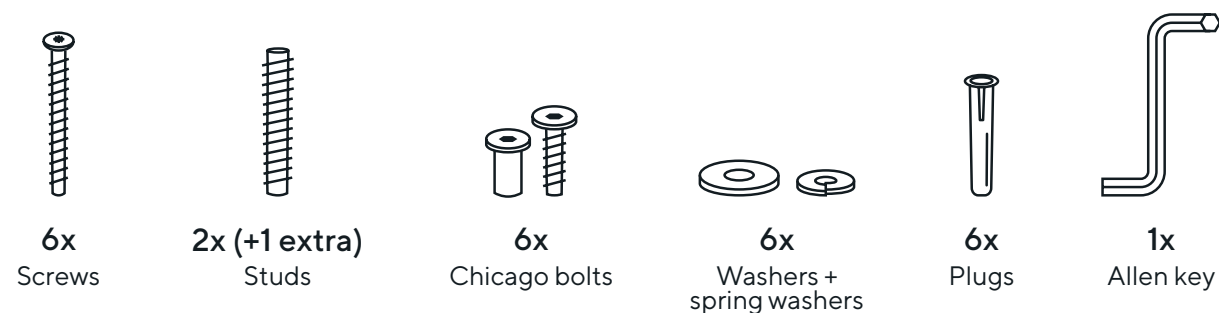


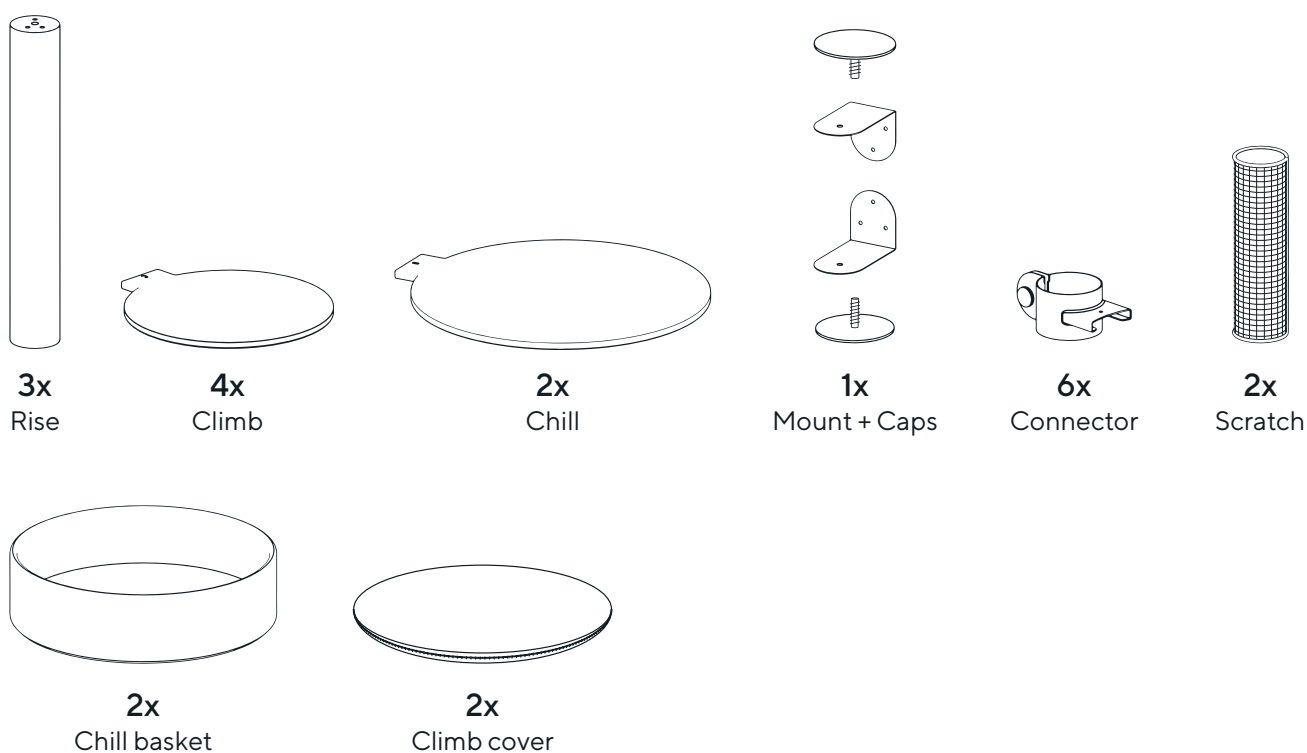
## Required tools



## Hardware included

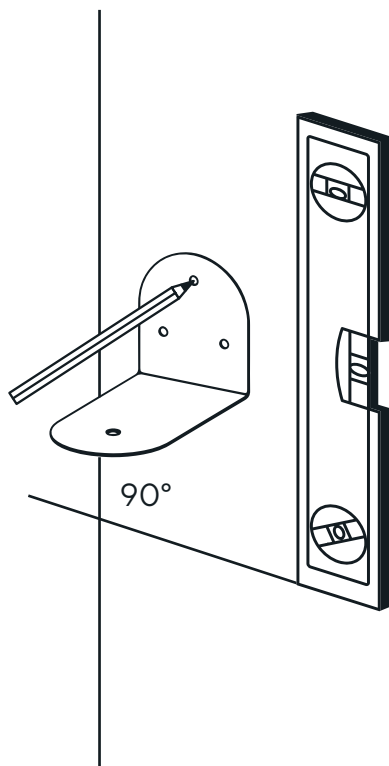


## Components included



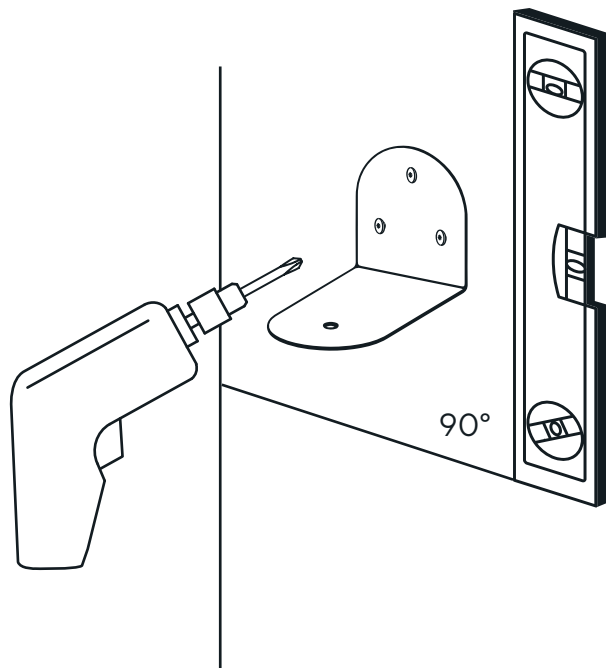
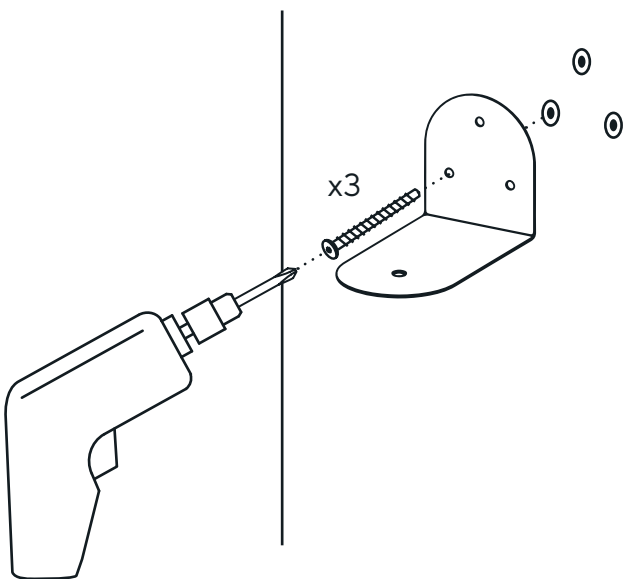
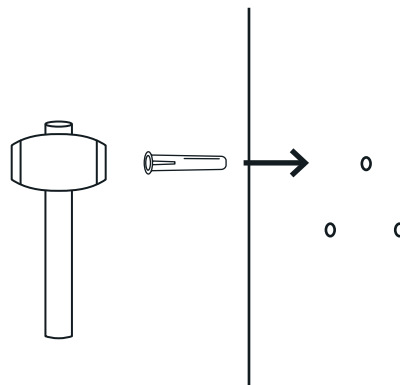
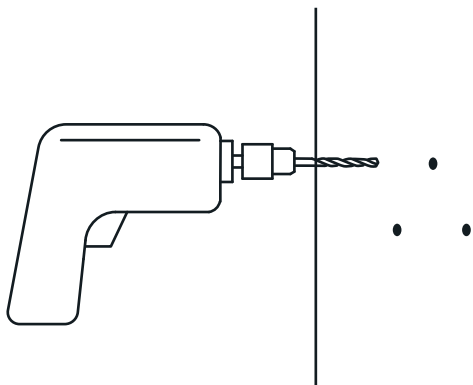
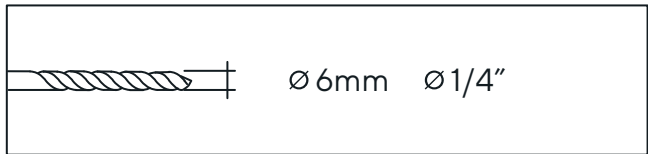
01

Indicate where  
to drill



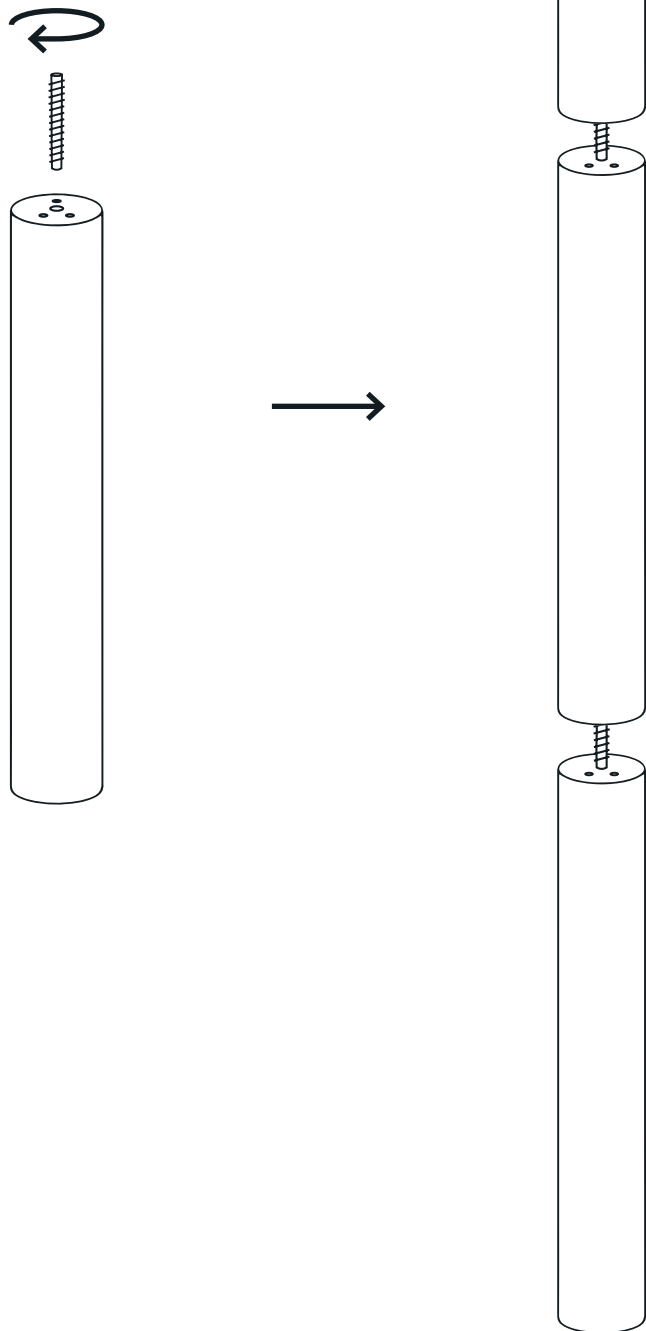
02

# Drill holes and fix the bottom Mount



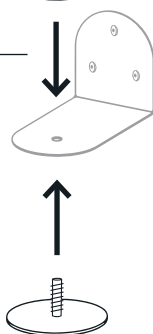
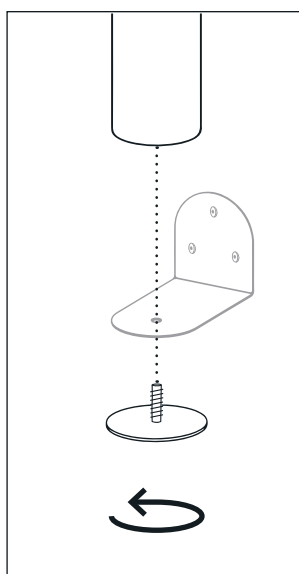
03

# Connect the Rises



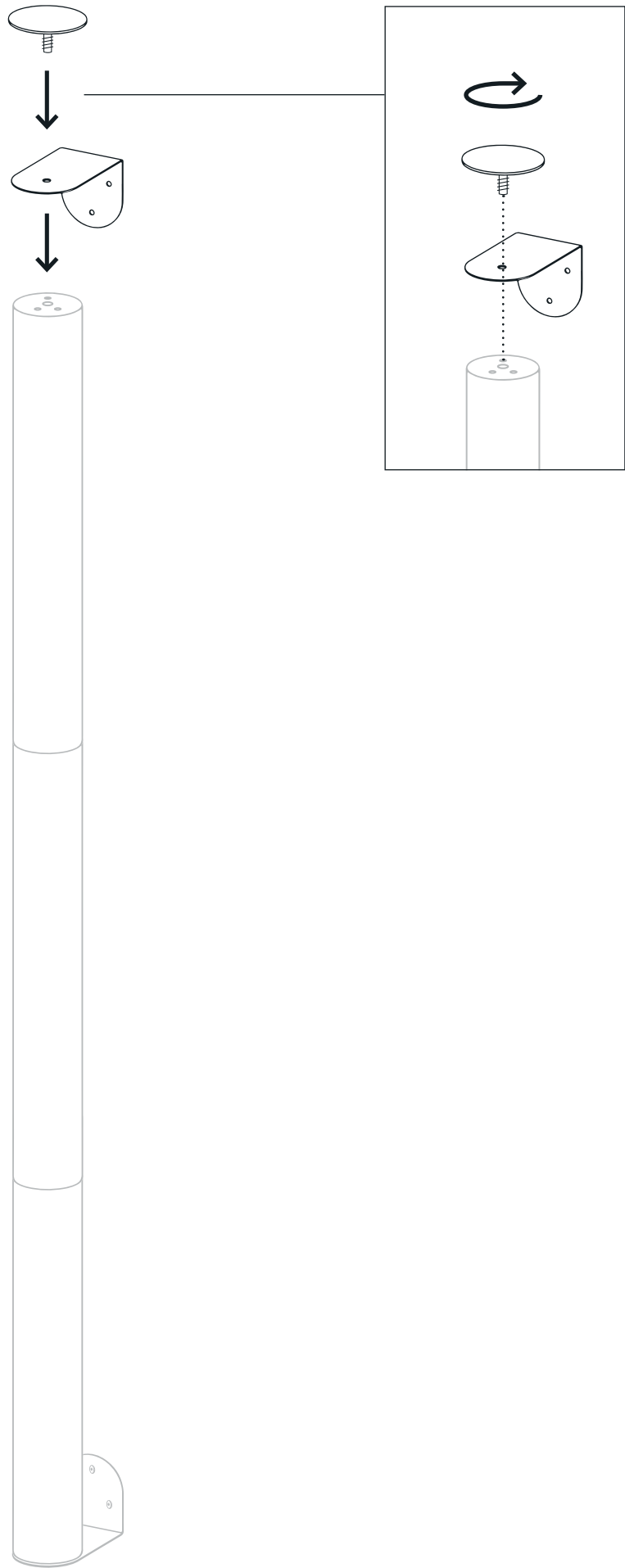
04

Connect the Rise to the  
bottom Mount with  
the Cap



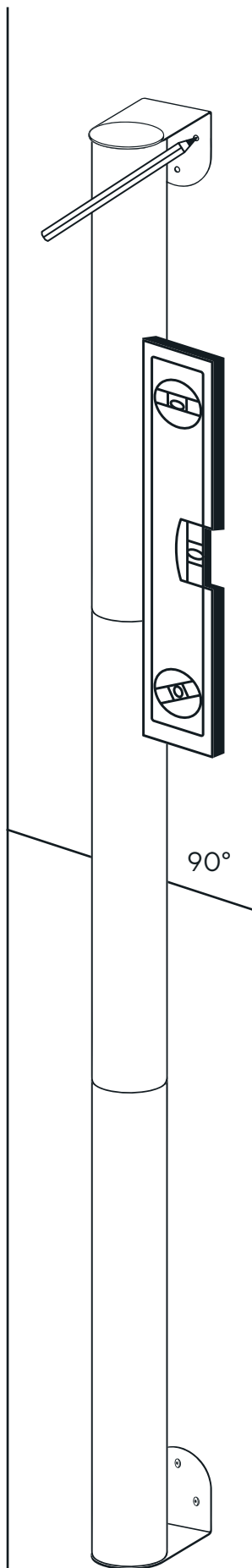
05

Connect the top Mount to the Rise with the Cap



06

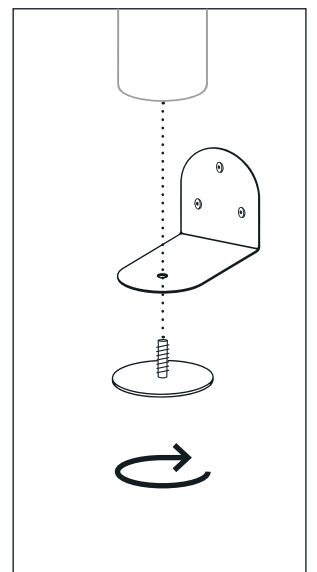
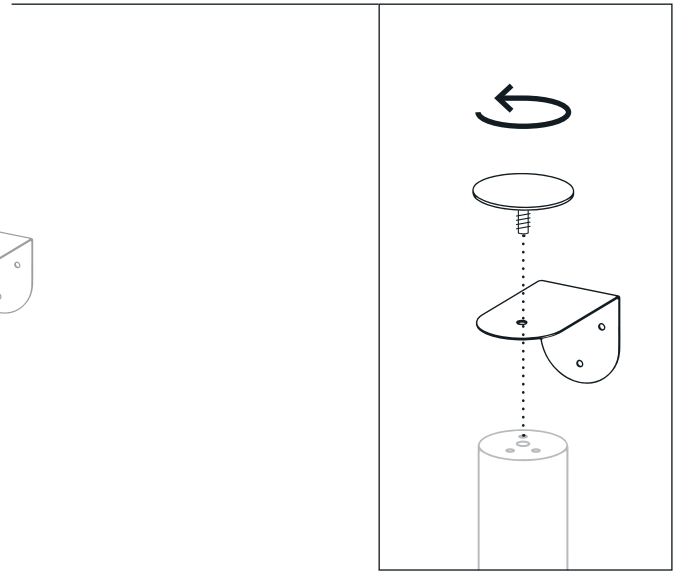
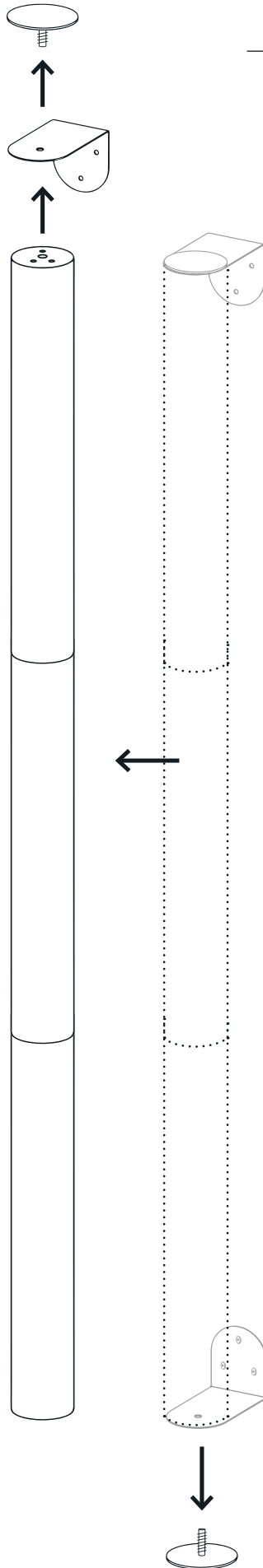
Indicate where  
to drill





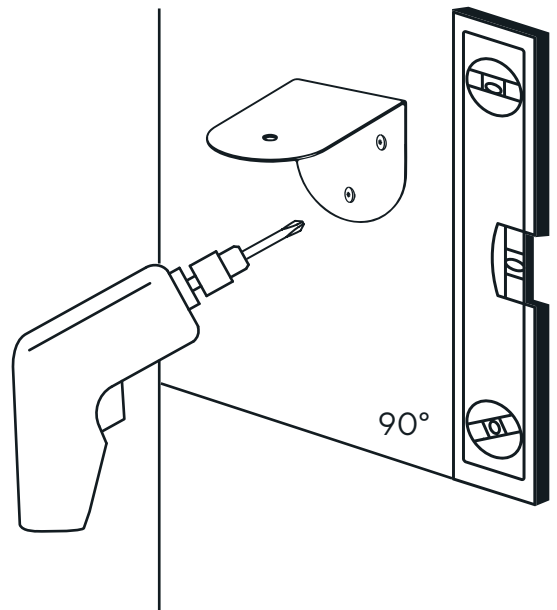
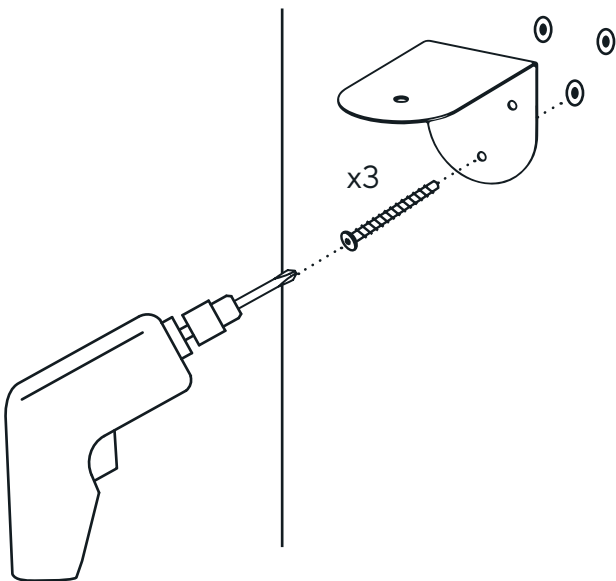
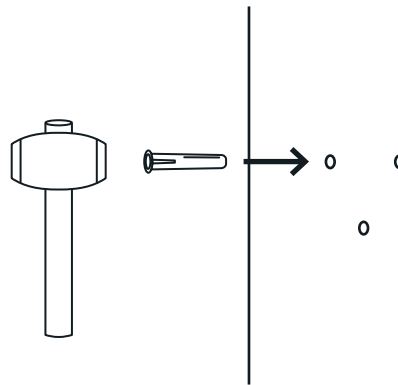
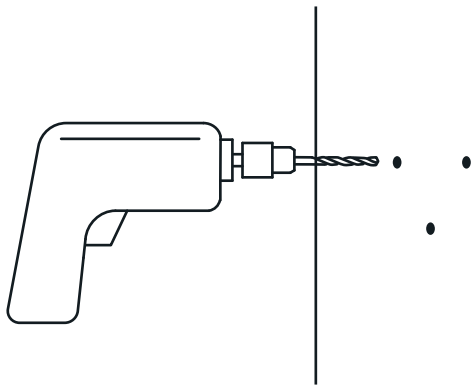
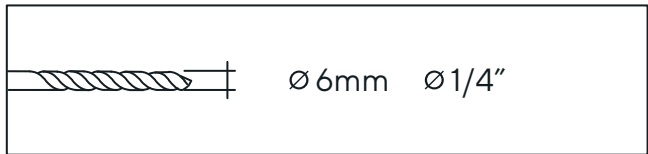
07

Take off the Rise,  
top Mount and  
Cap from the  
bottom Mount



08

### Drill holes and install the top Mount

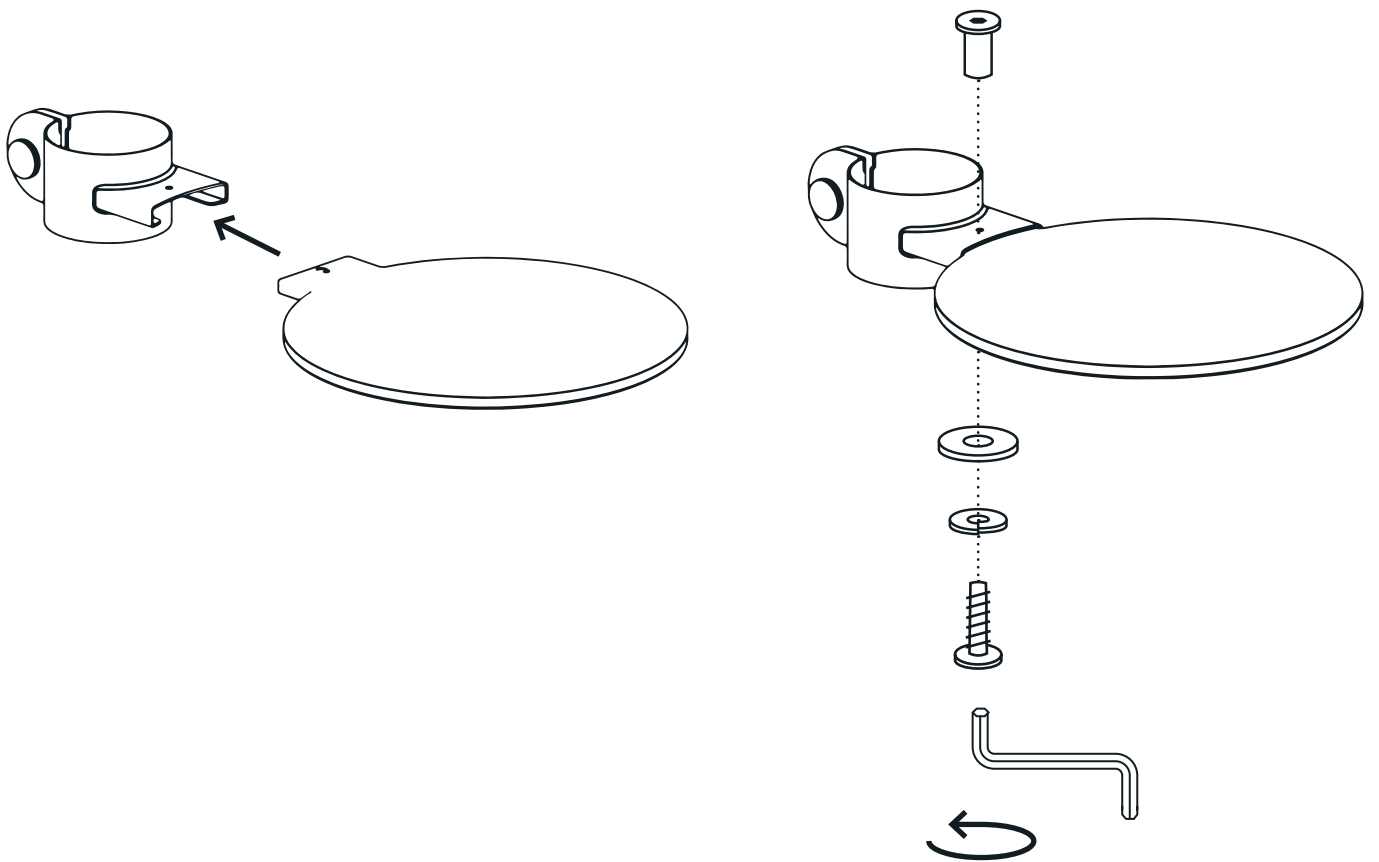


09

Connect  
platforms to  
the Connectors

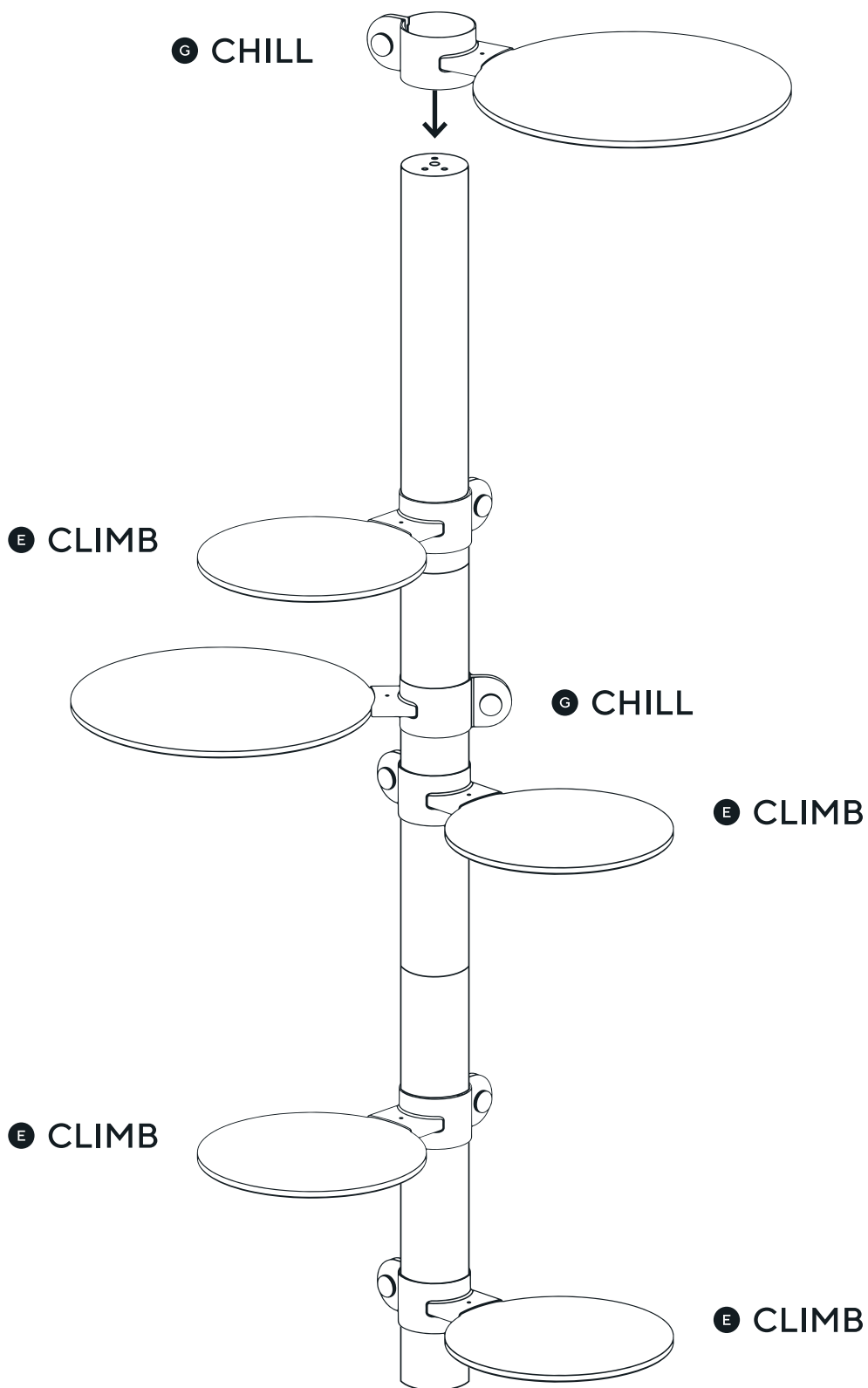
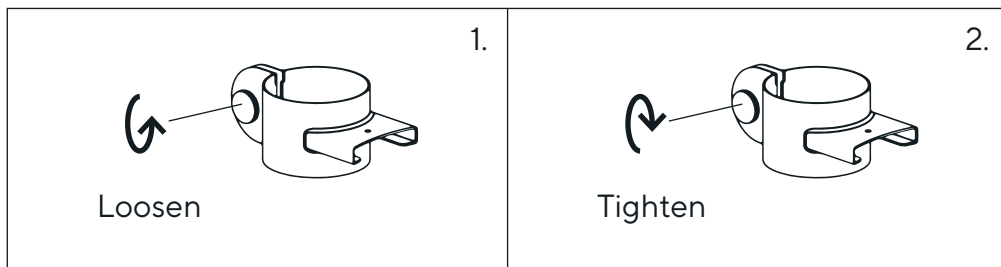
**E** CLIMB x4

**G** CHILL x2



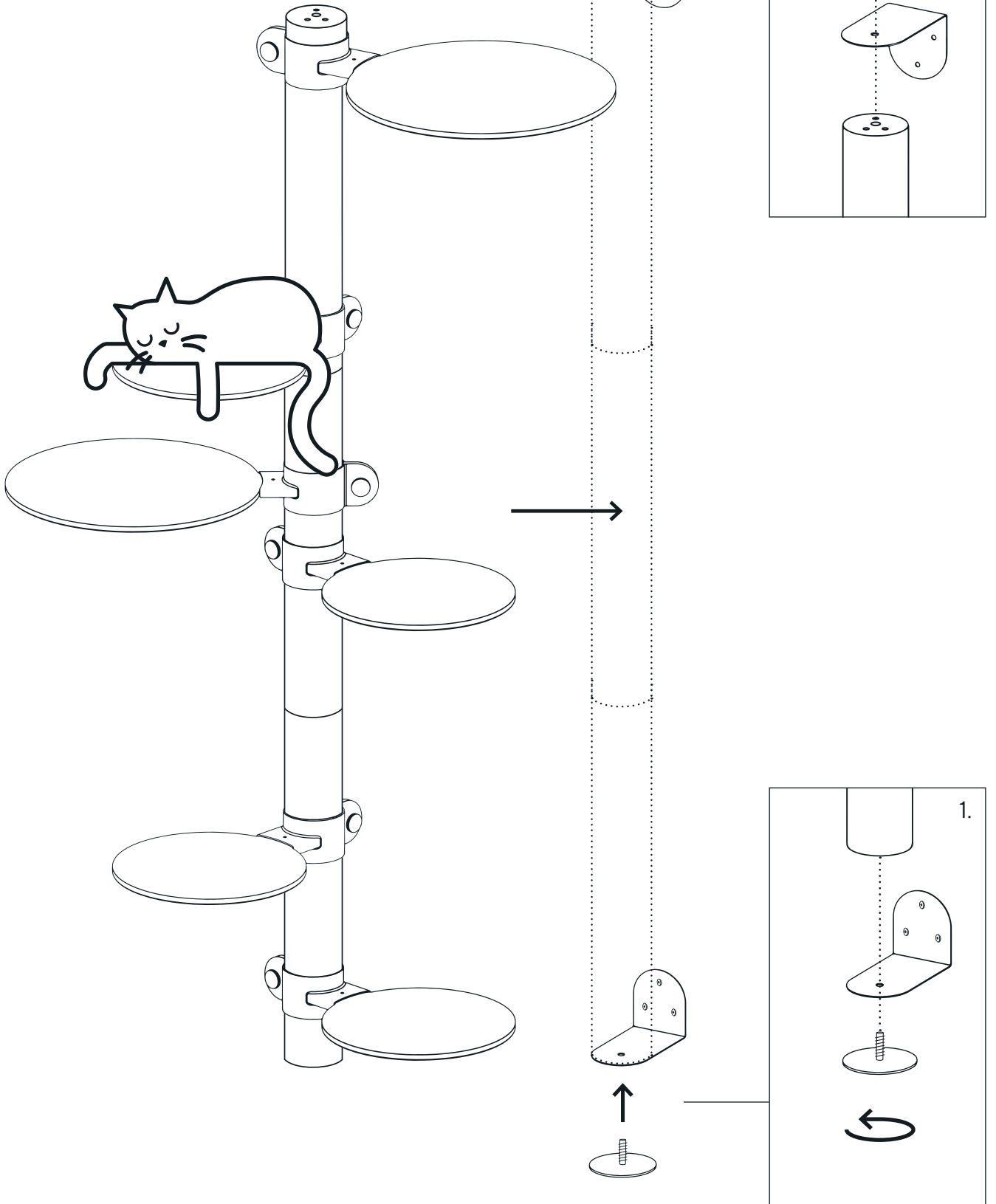
10

Slide over  
the Rise

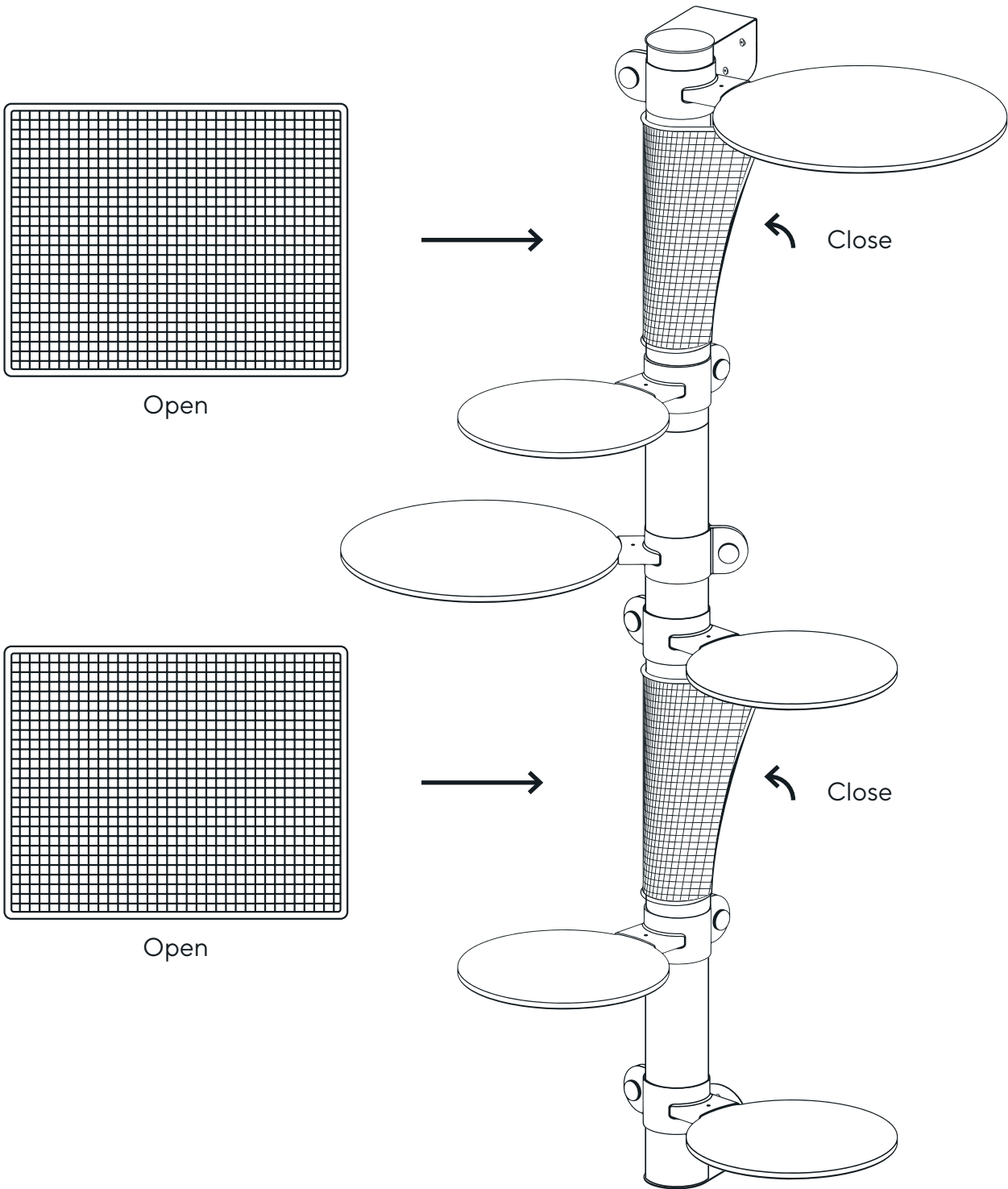


11

Install the Rise with platforms between the Mount

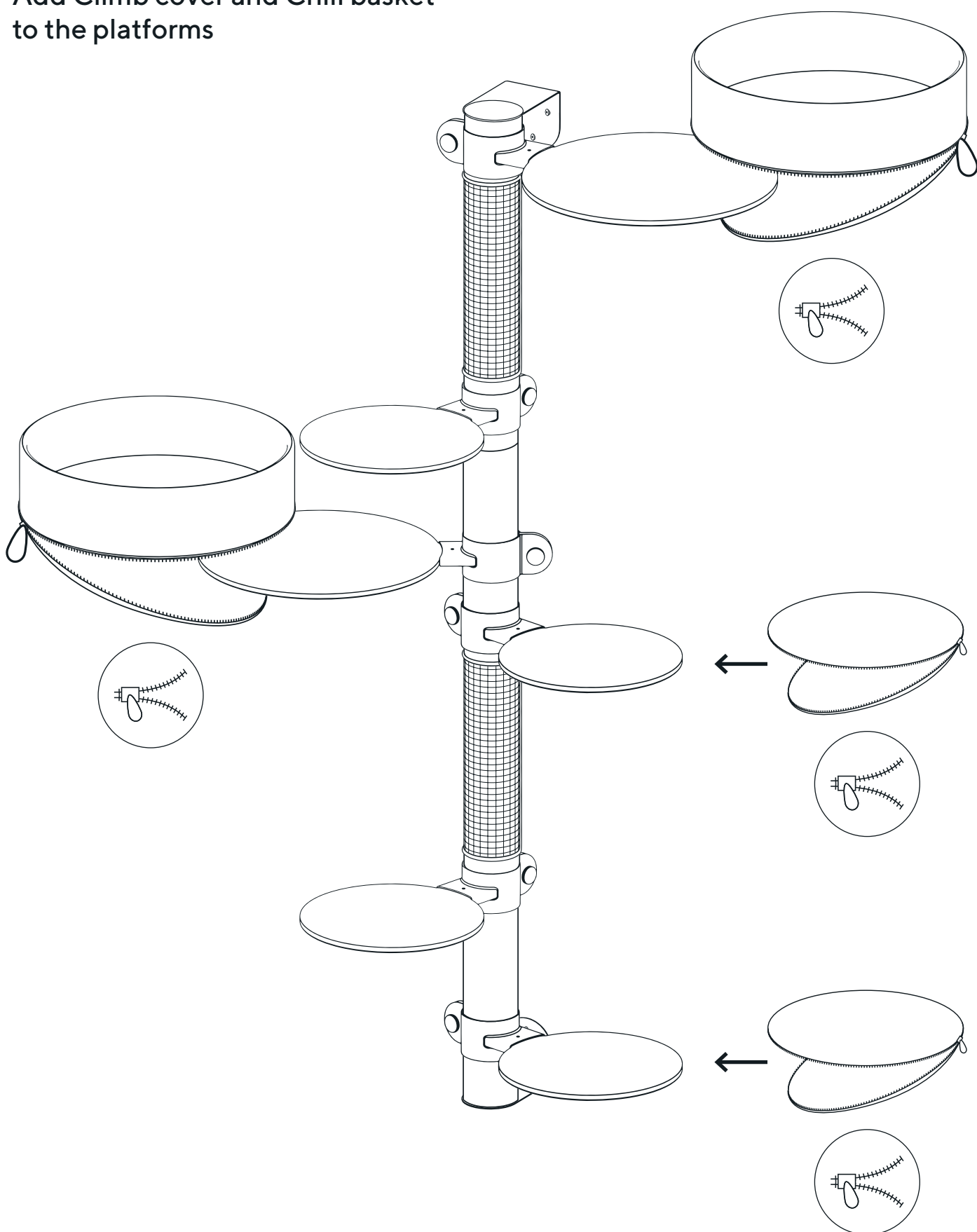


### Add Scratch over the Rise



13

### Add Climb cover and Chill basket to the platforms



Finished

