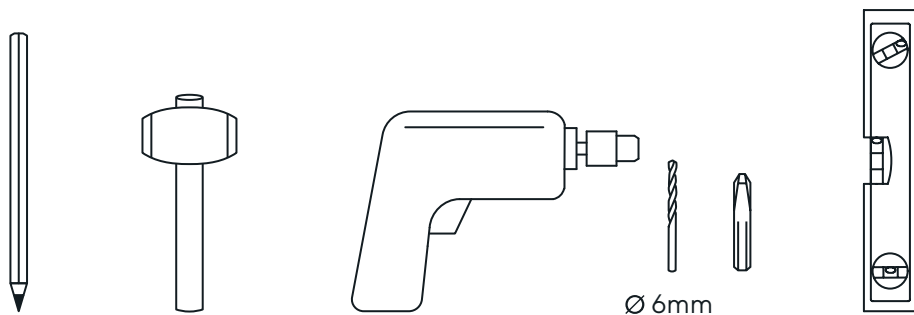
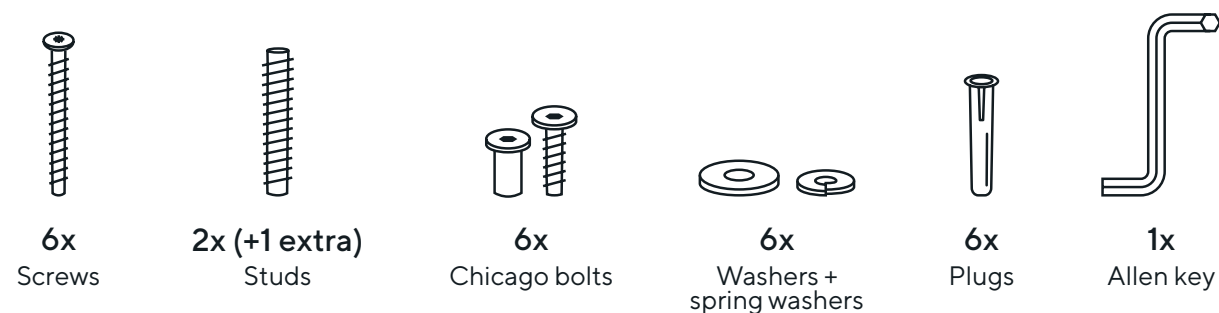


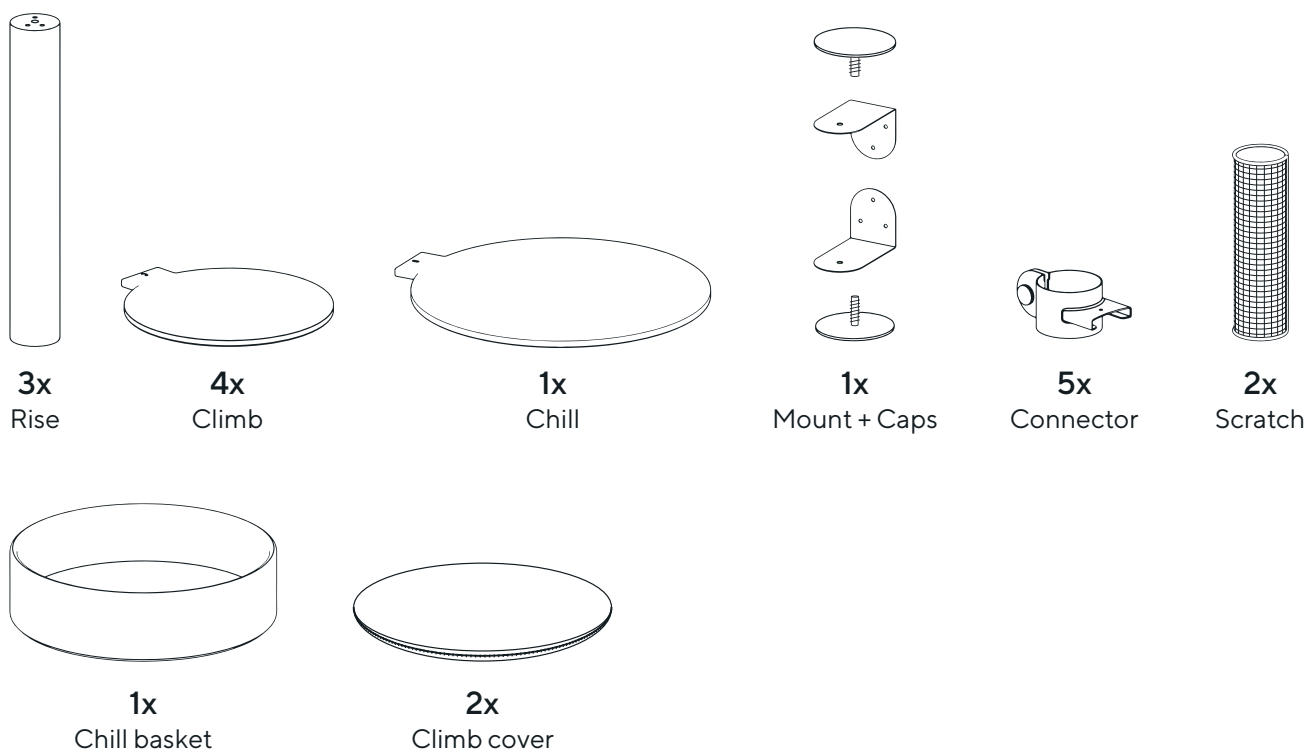
Required tools



Hardware included

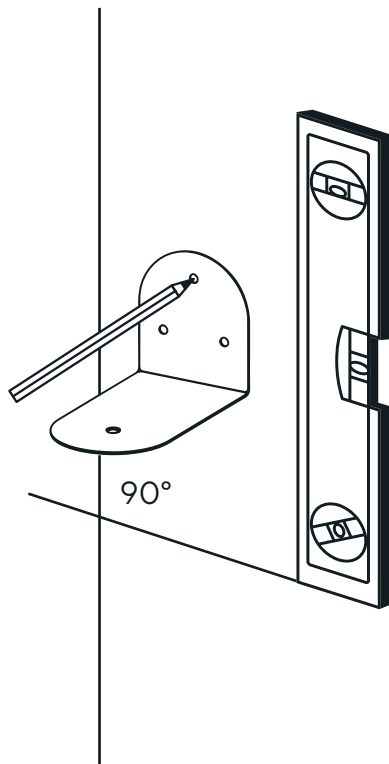


Components included



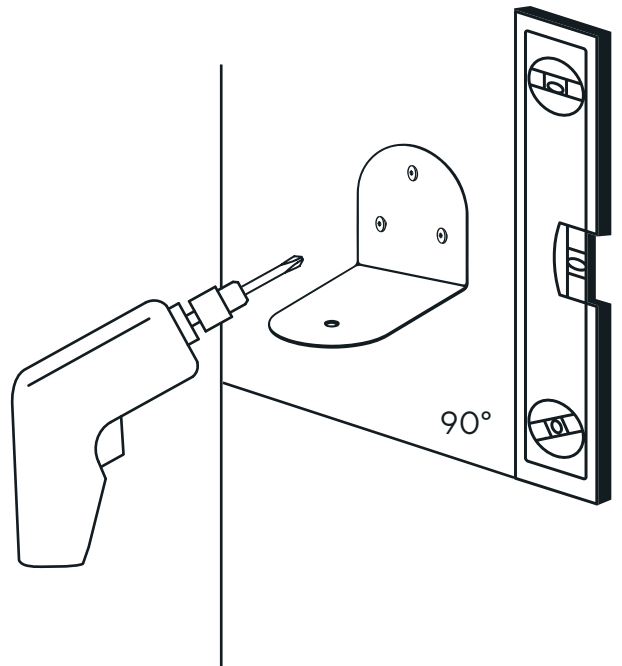
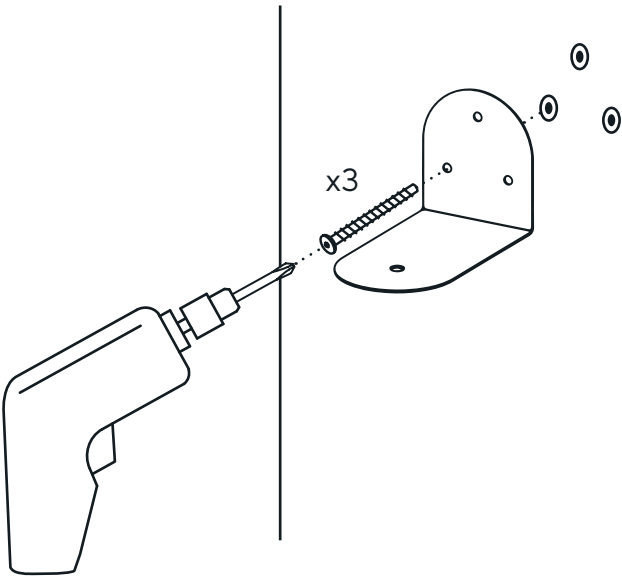
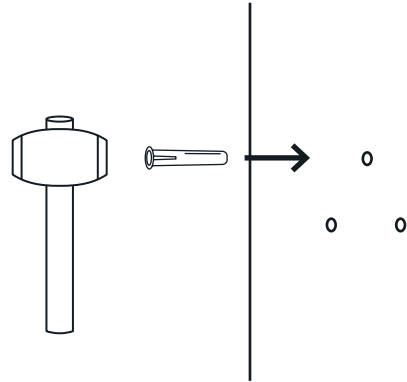
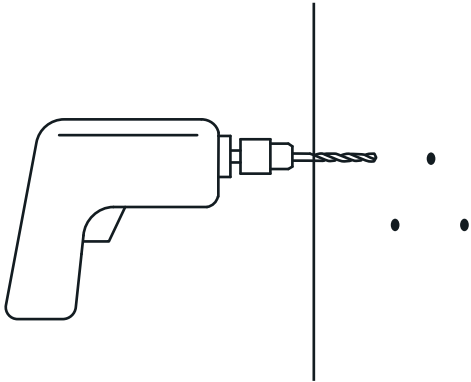
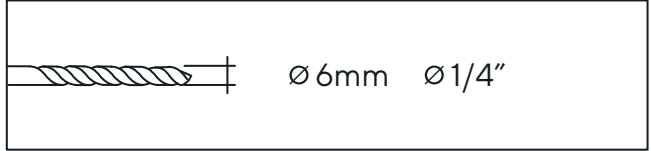
01

Indicate where
to drill



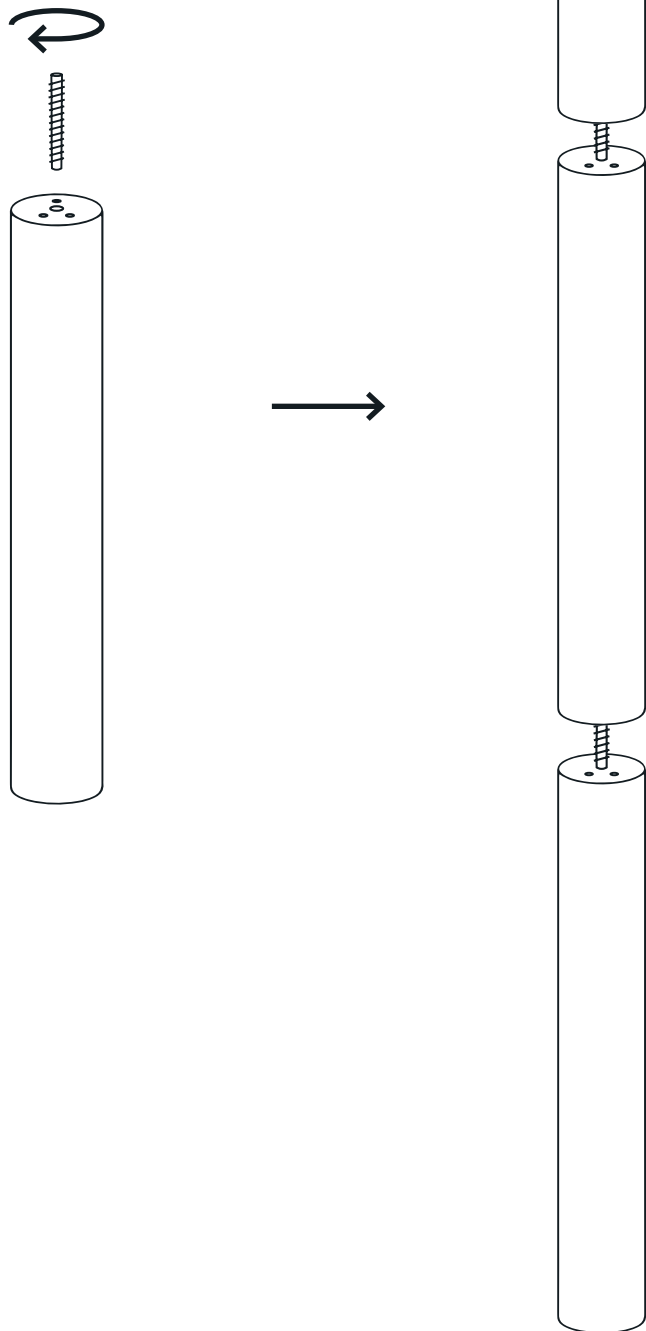
02

Drill holes and fix the bottom Mount



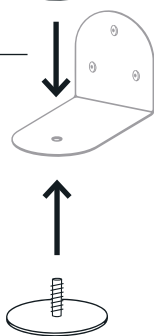
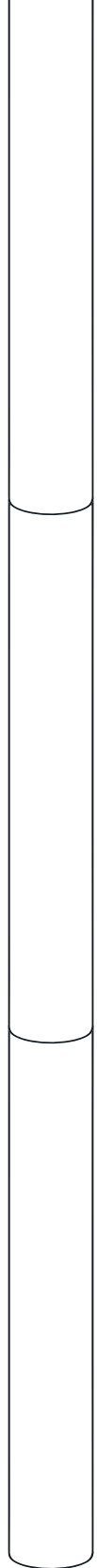
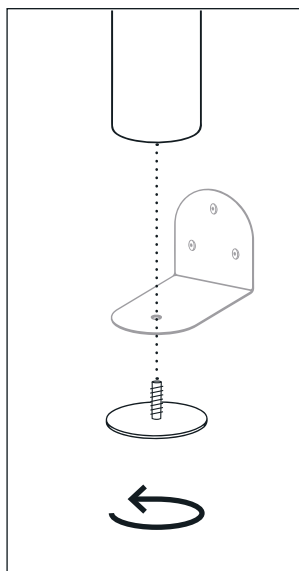
03

Connect the Rises



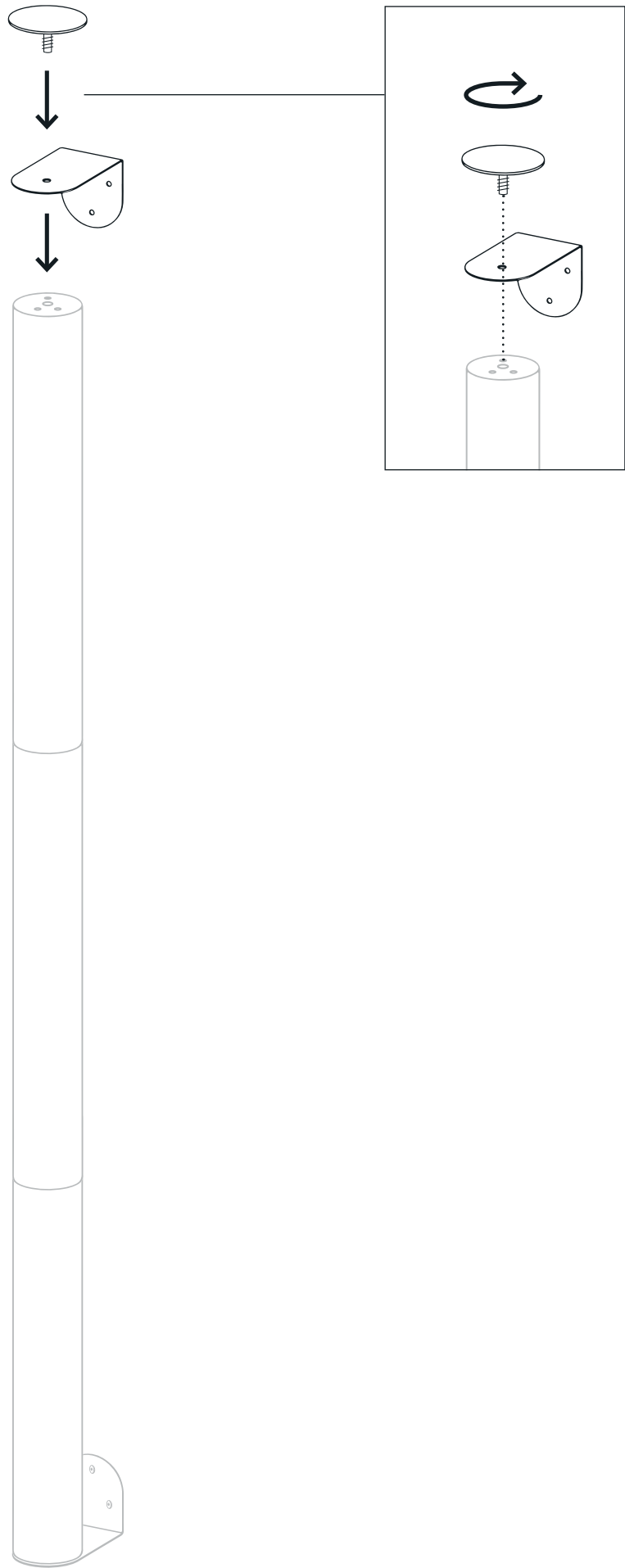
04

Connect the Rise to the bottom Mount with the Cap



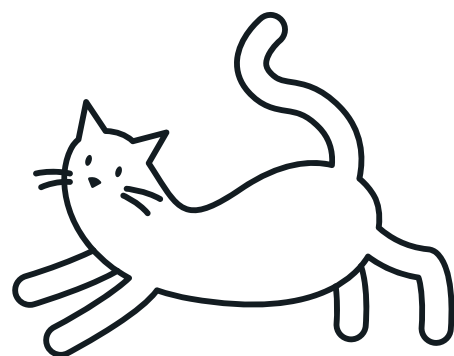
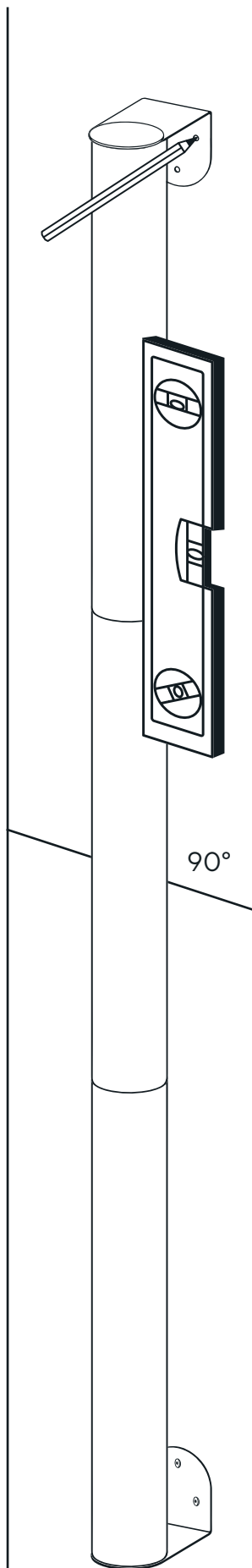
05

Connect the top Mount to the Rise with the Cap



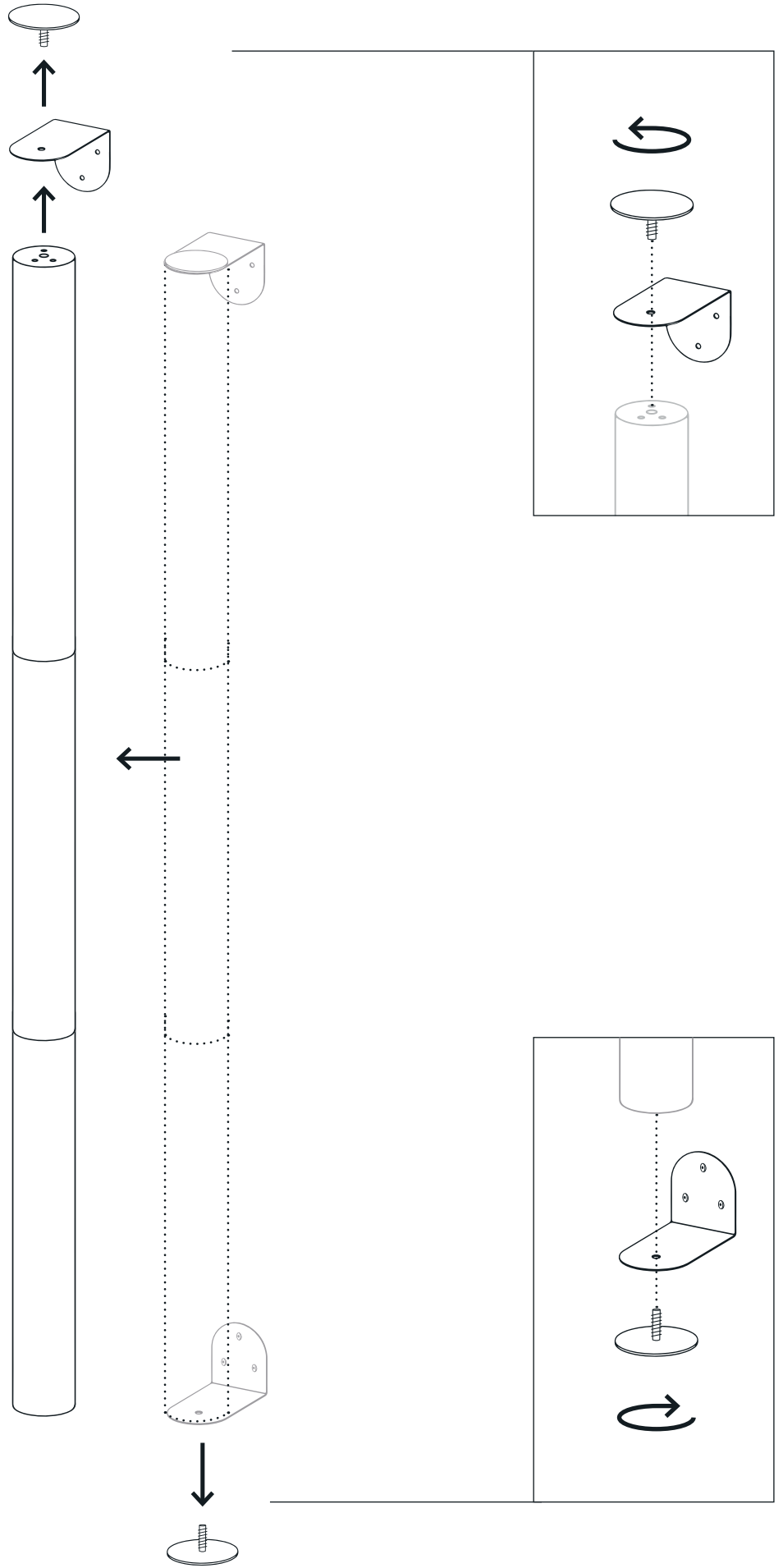
06

Indicate where
to drill



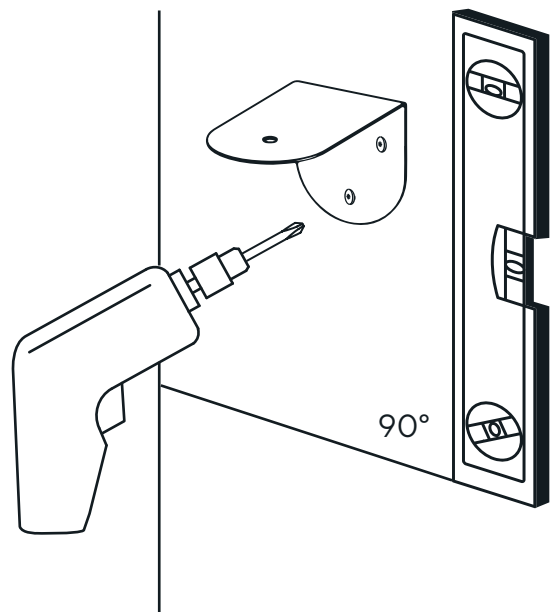
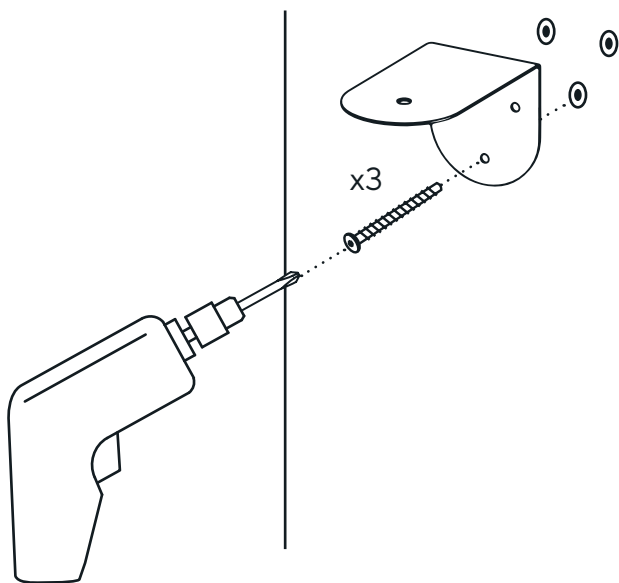
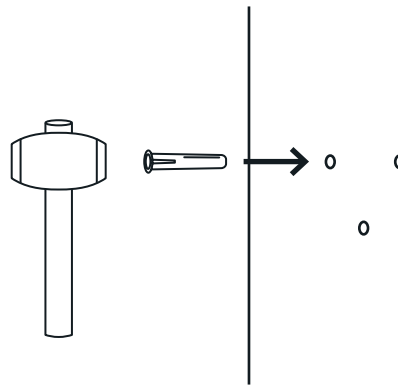
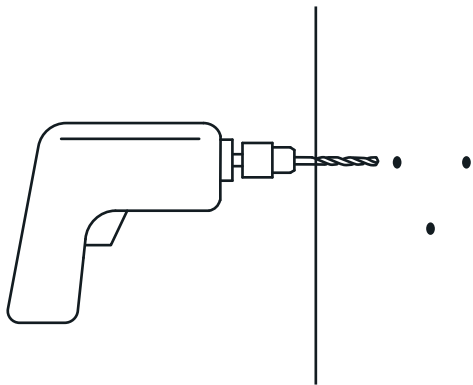
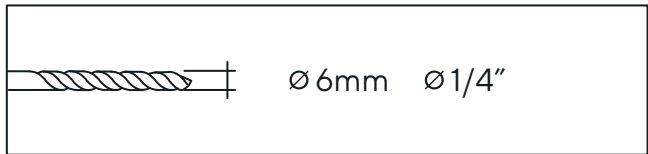
07

Take off the Rise,
top Mount and Cap
from the bottom
Mount



08

Drill holes and install the top Mount

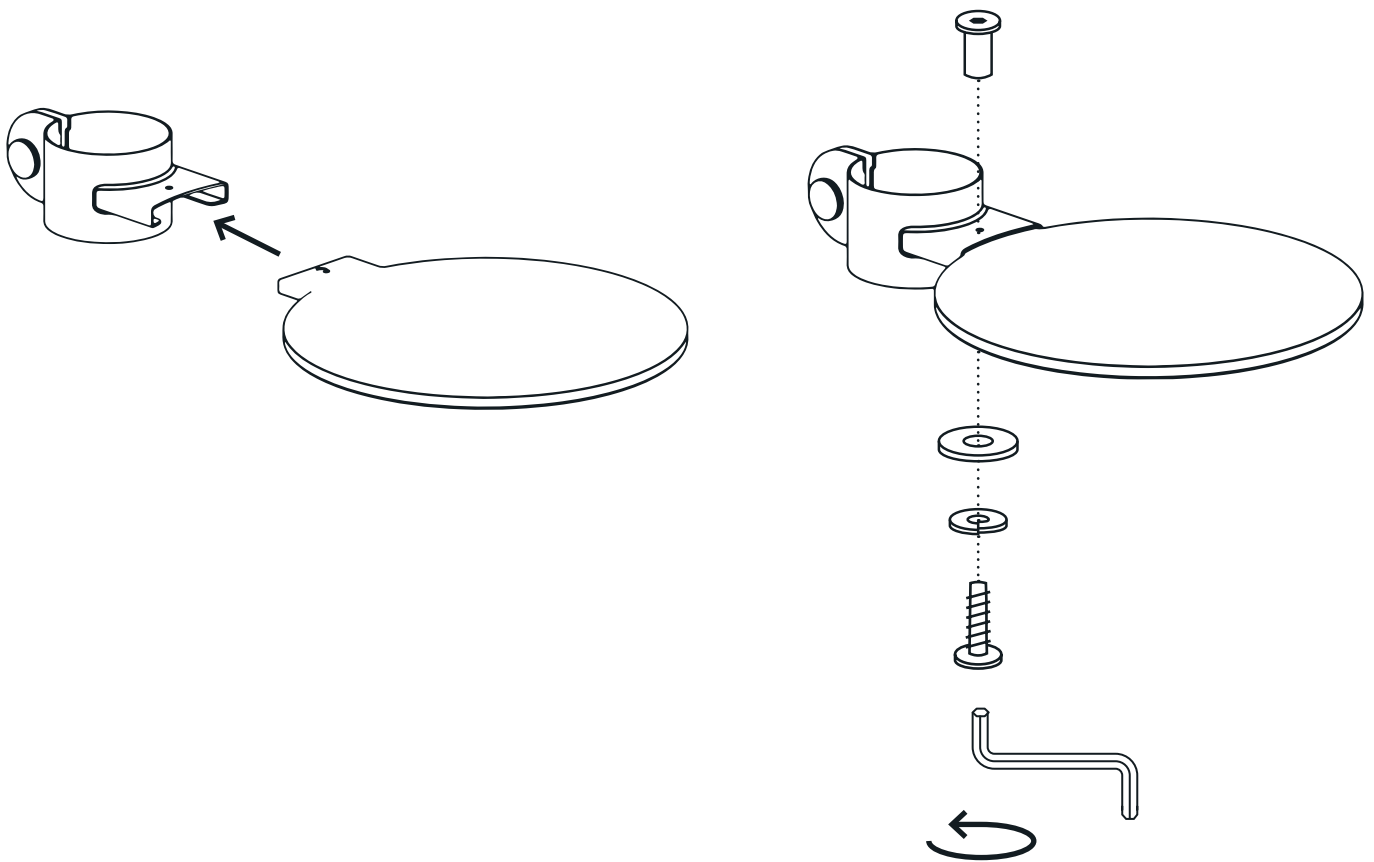


09

Connect
platforms to
the Connectors

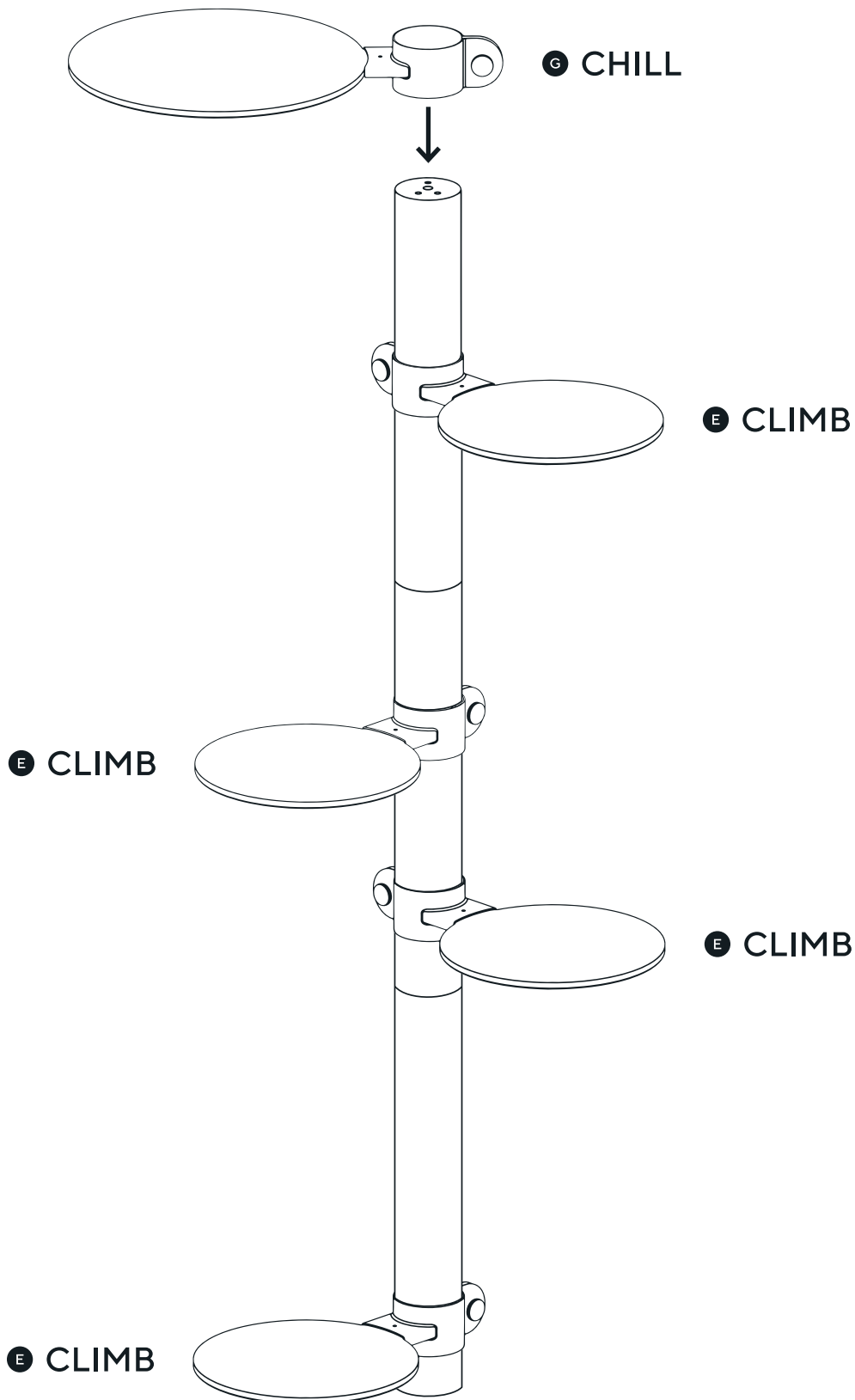
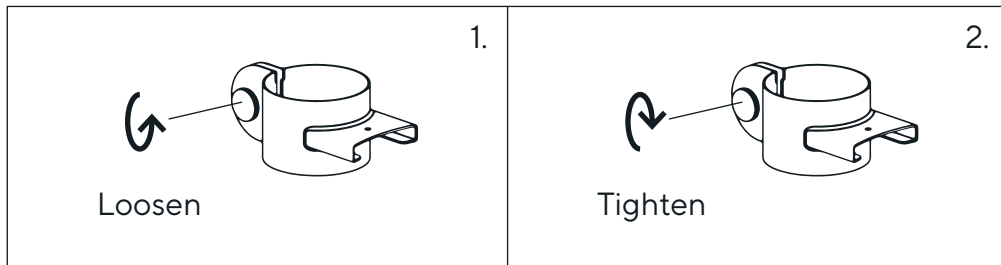
E CLIMB x4

G CHILL x1



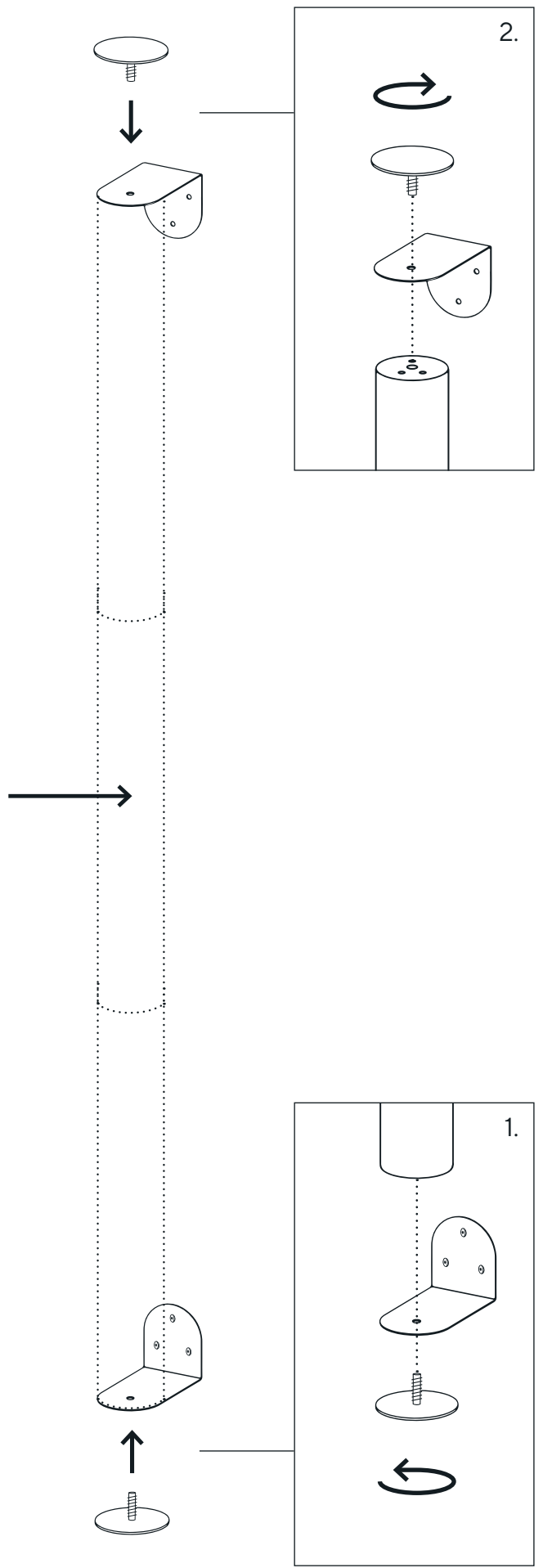
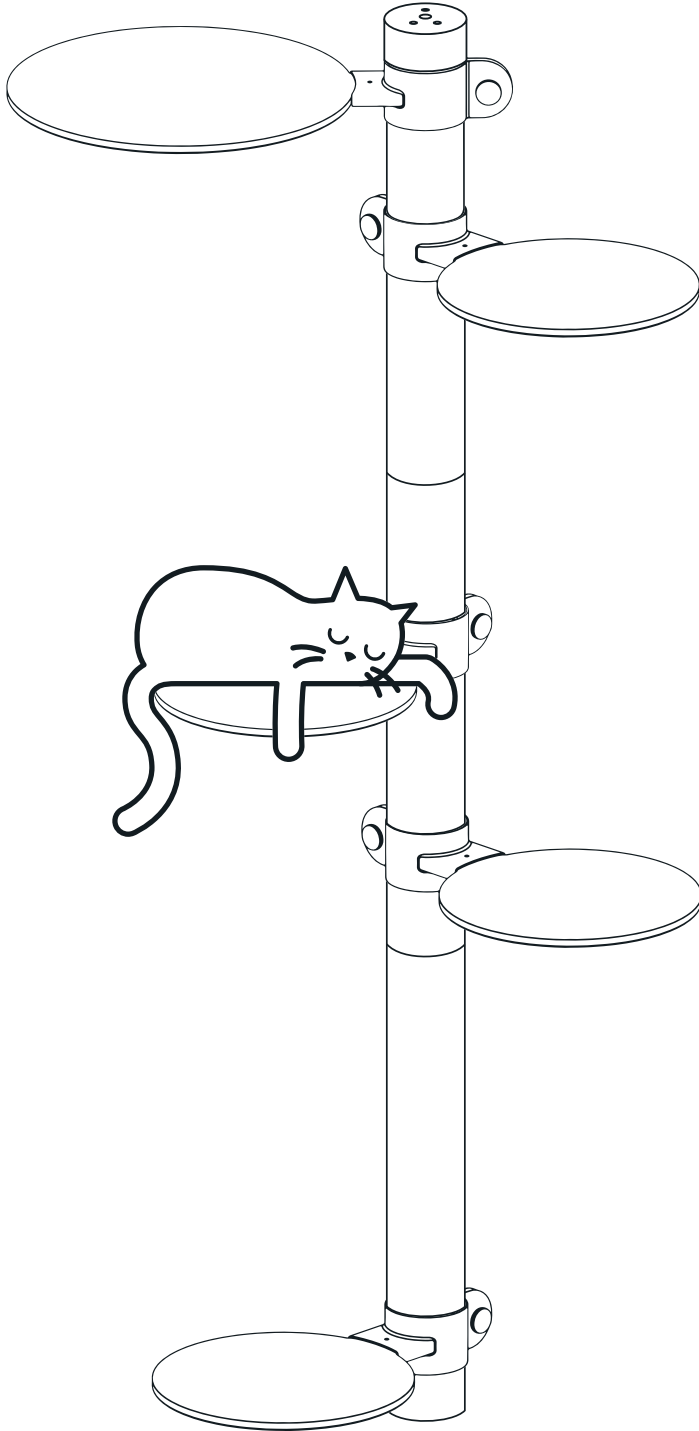
10

Slide over
the Rise



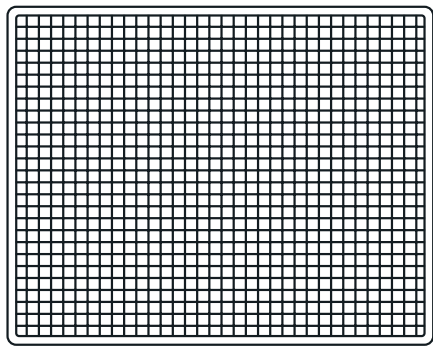
11

Install the Rise with platforms between the Mount

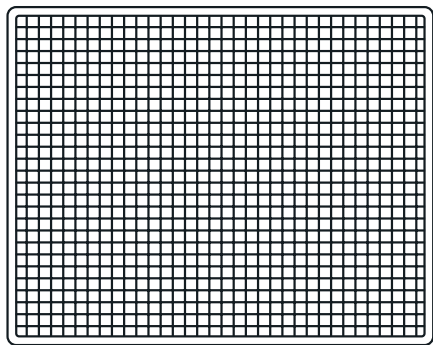


12

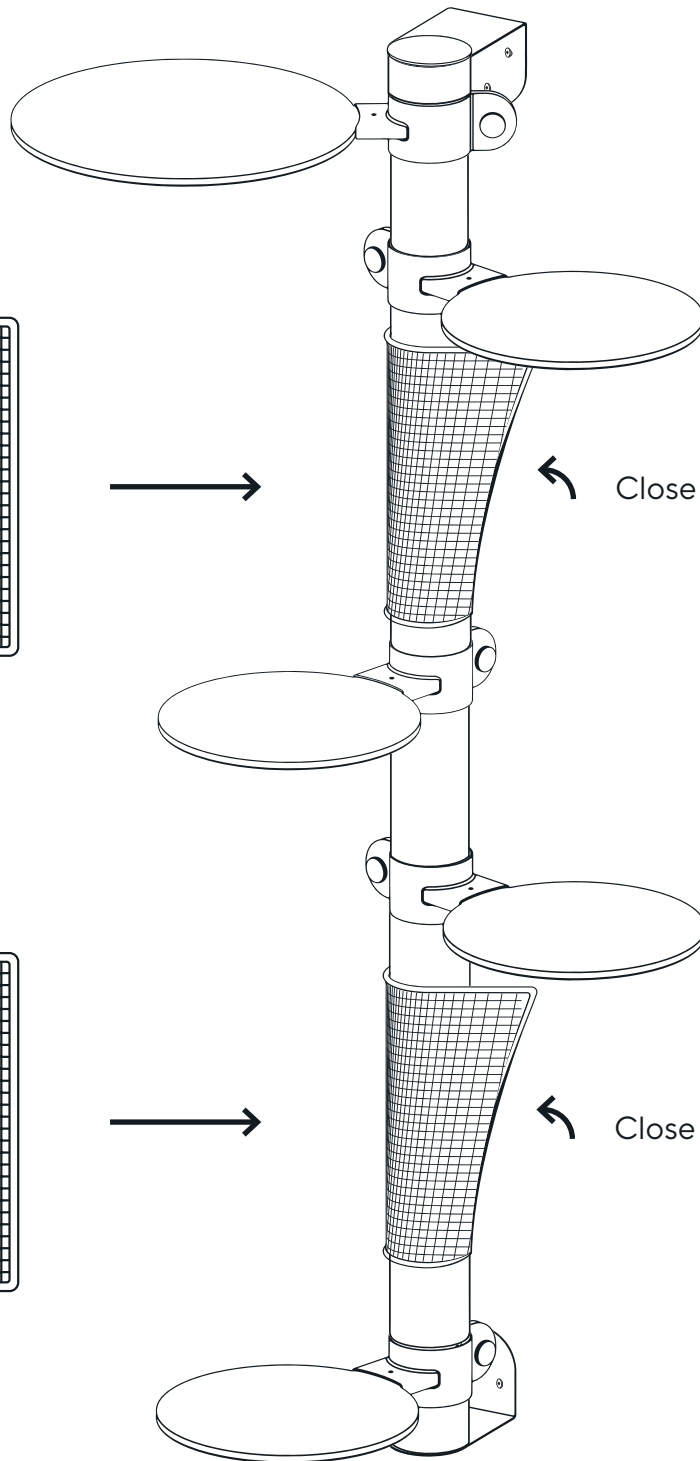
Add Scratch over the Rise



Open

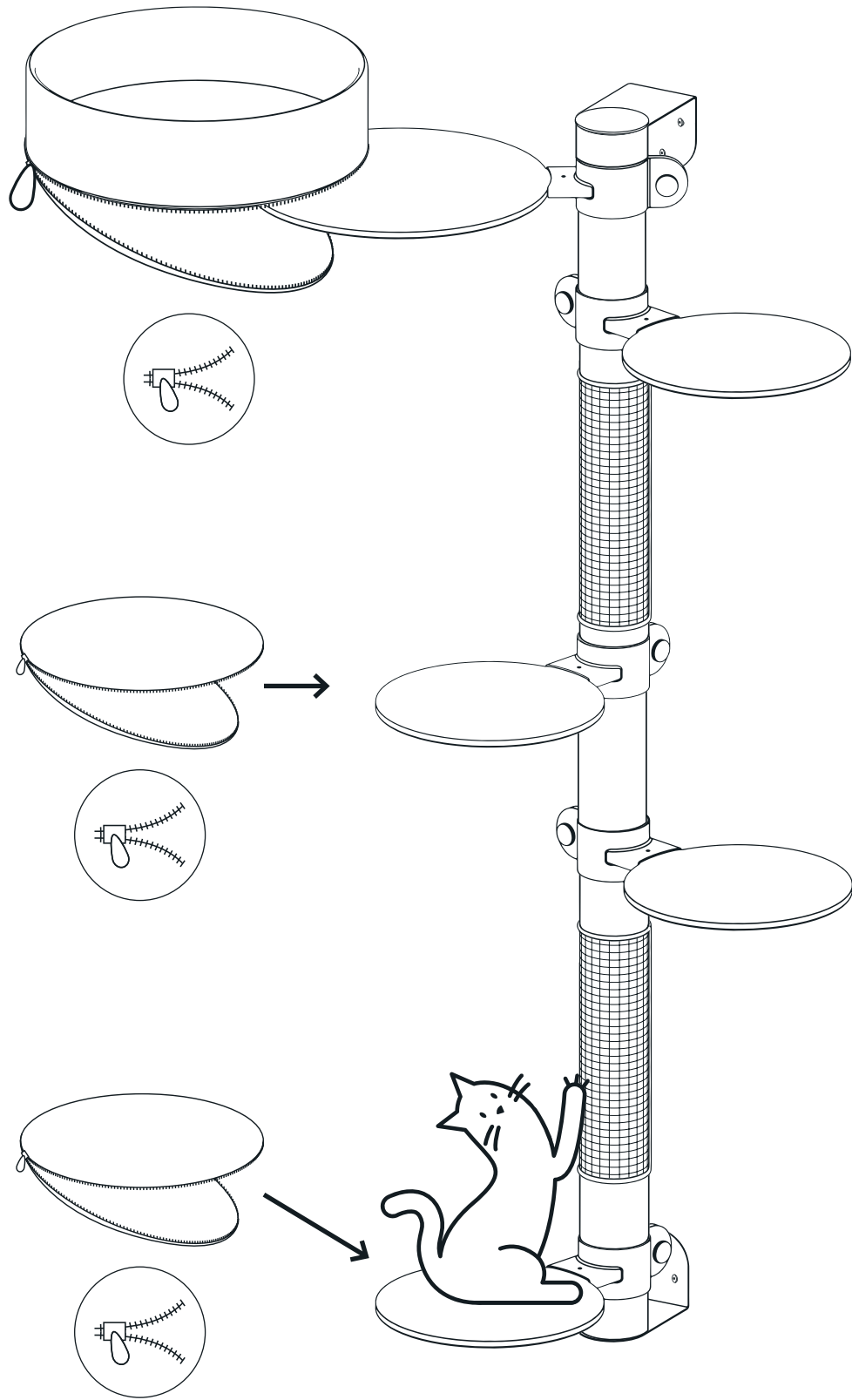


Open



13

Add Climb cover and Chill basket to the platforms



Finished

