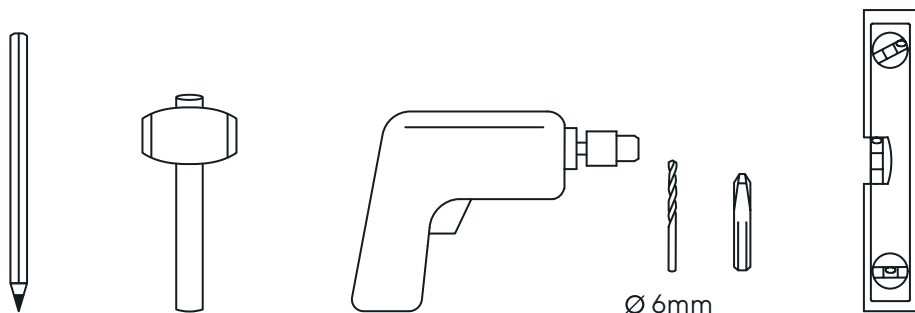
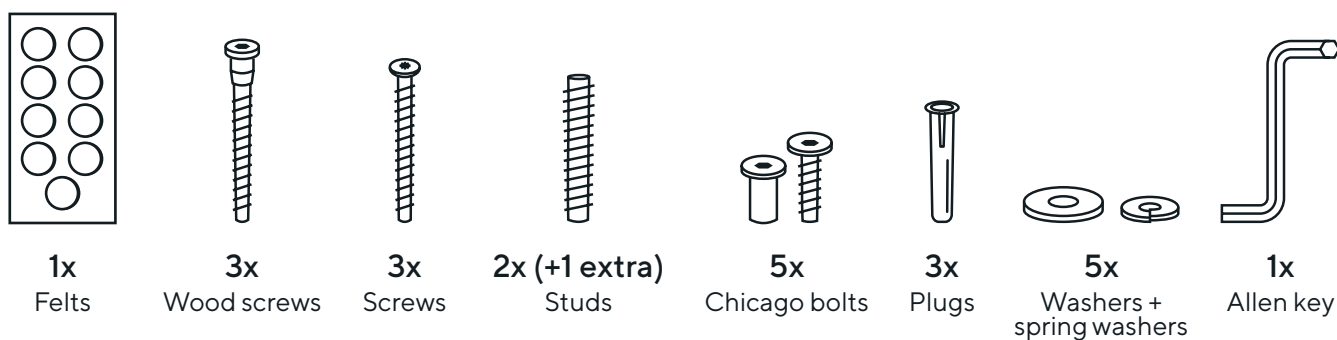


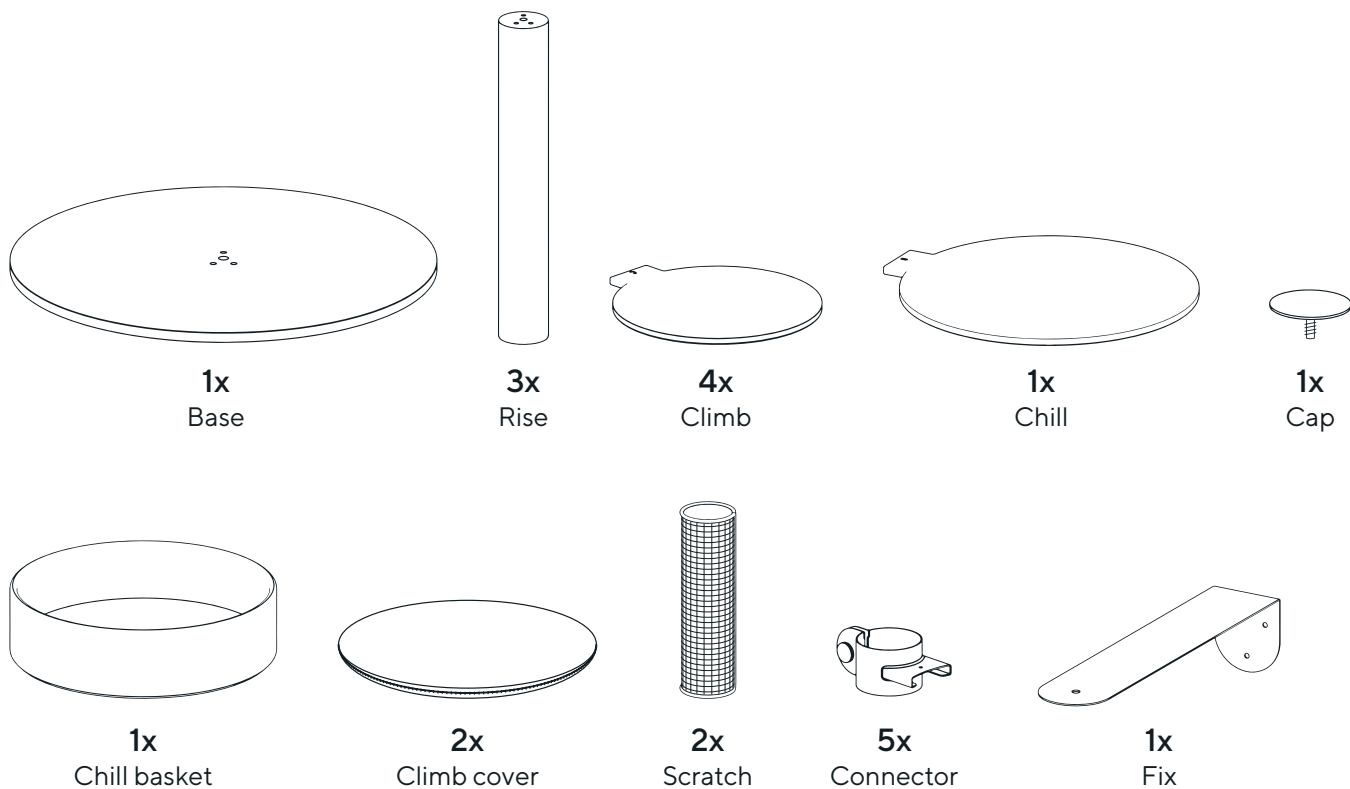
Required tools



Hardware included

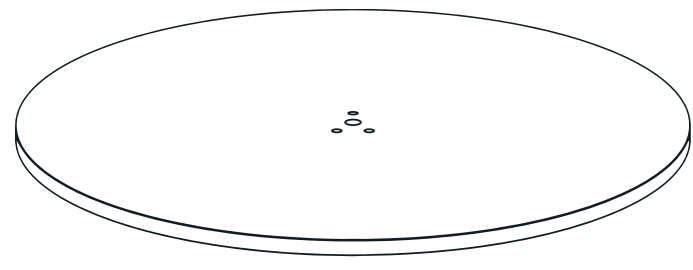


Components included



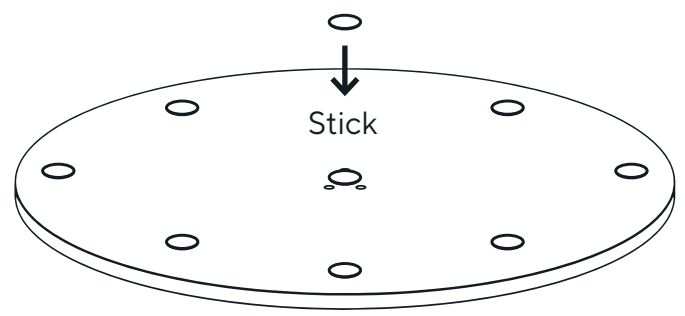
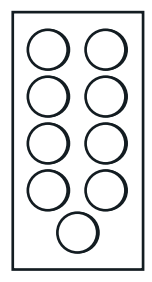
01

Add felts to the Baseplate



↻ Flip

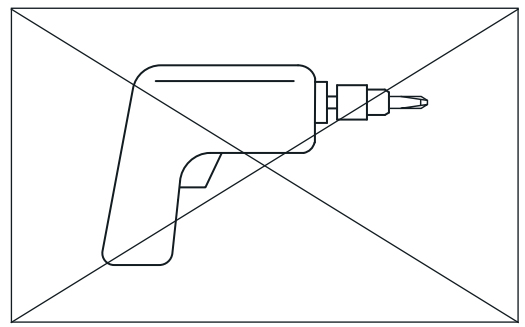
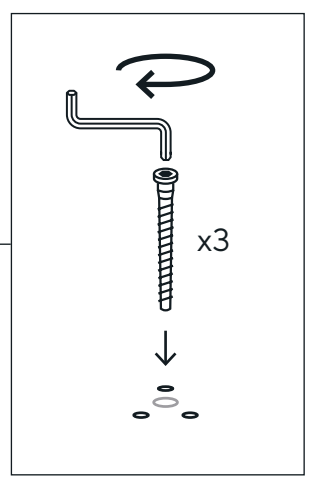
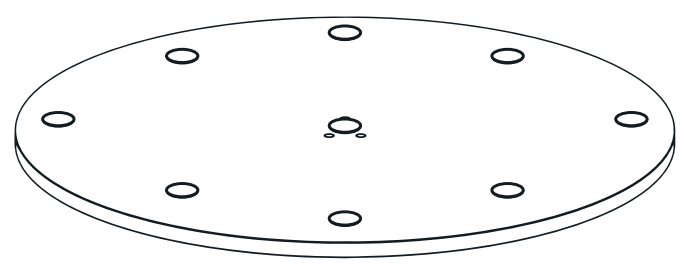
Top



Bottom

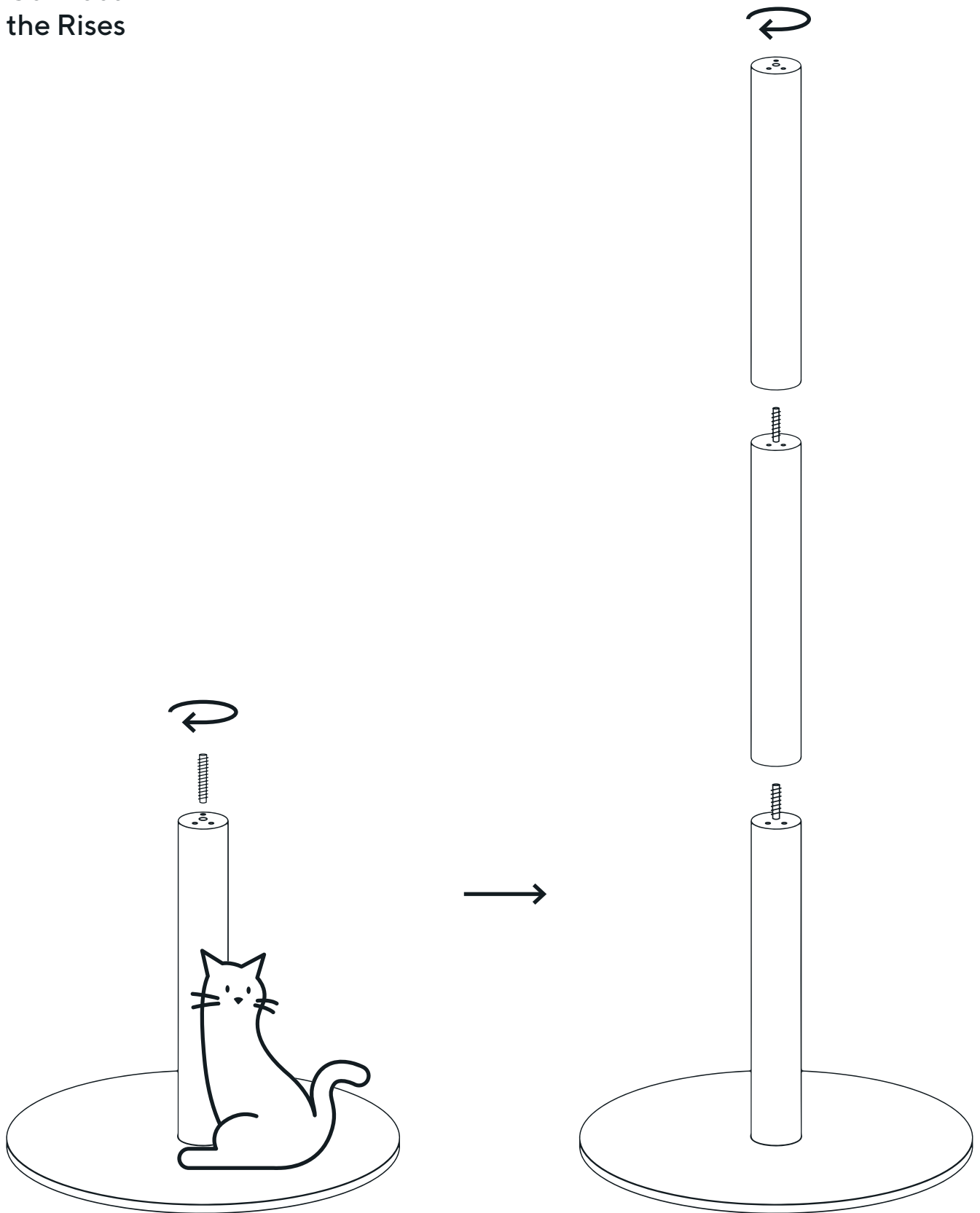
02

Add Rise to the Baseplate



03

Connect the Rises

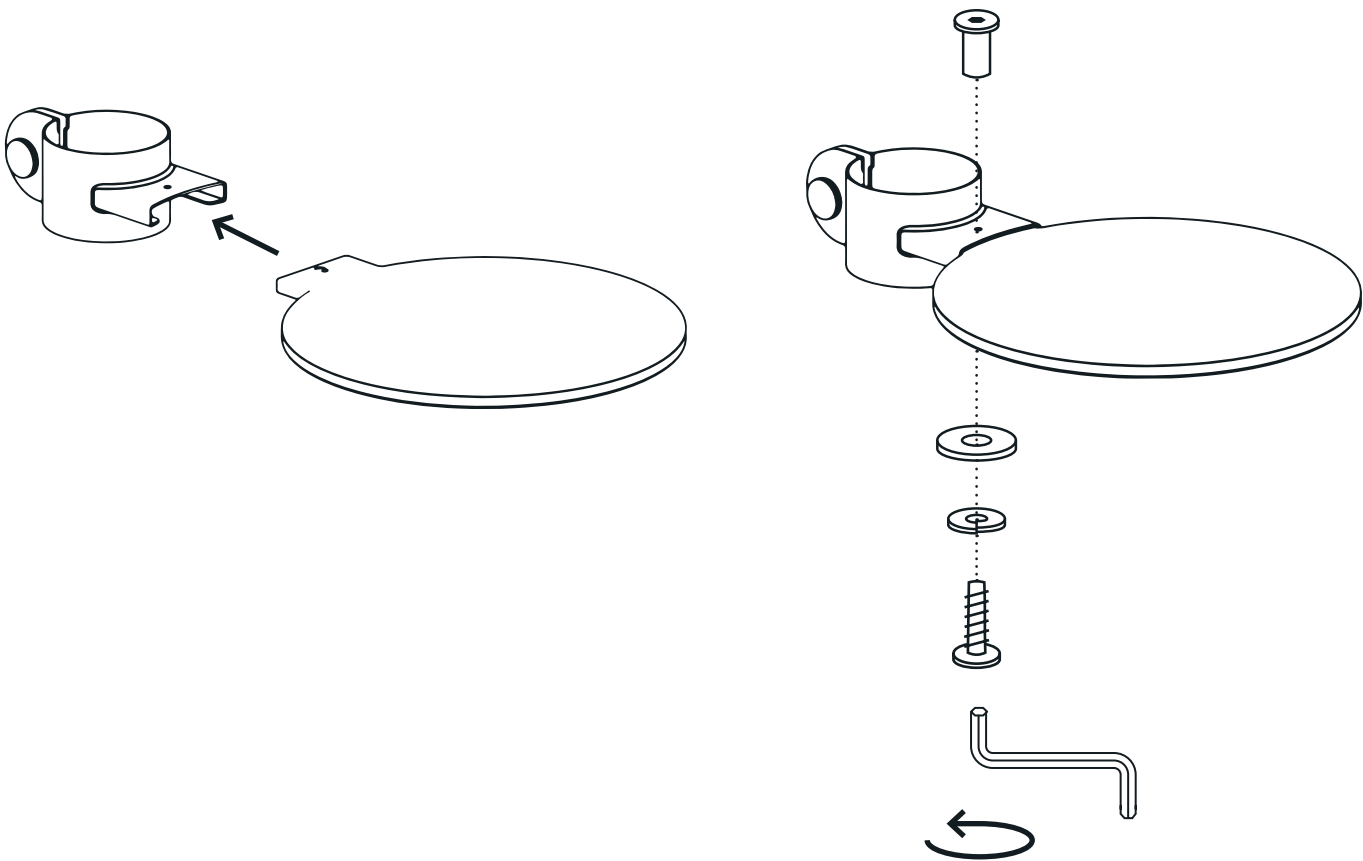


04

Connect
platforms to
the Connectors

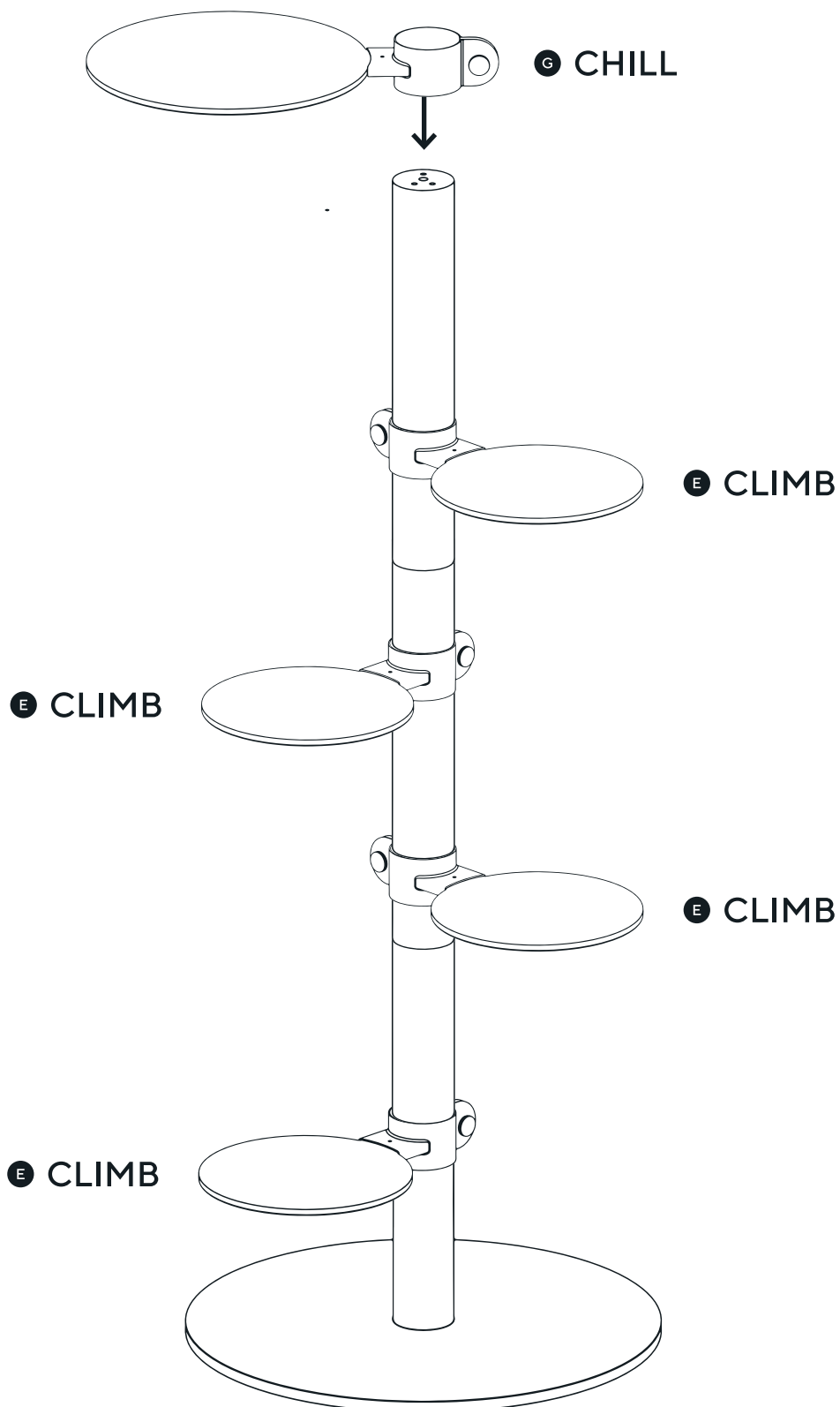
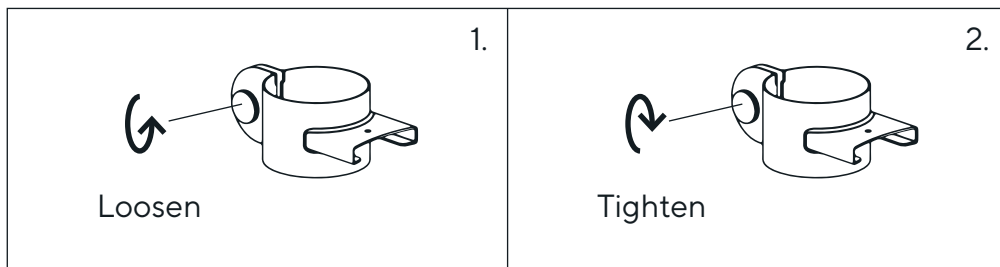
E CLIMB x4

G CHILL x1



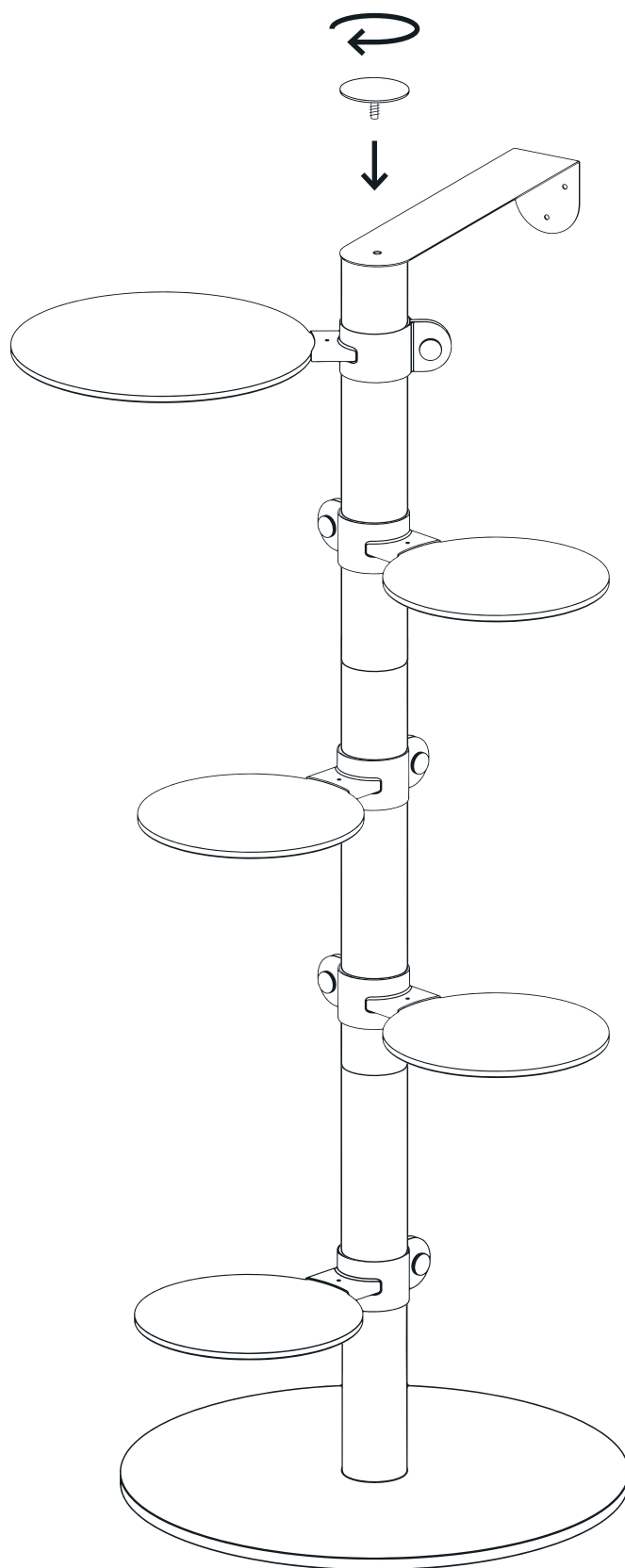
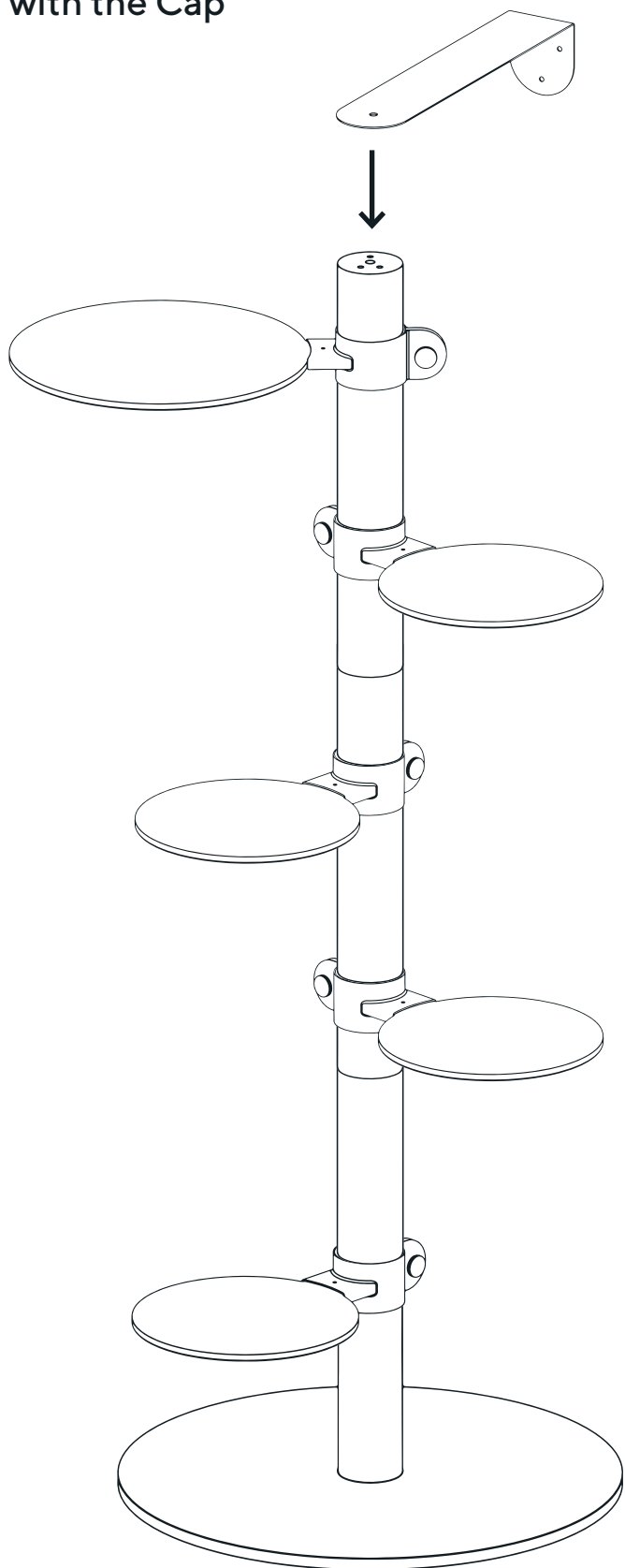
05

Slide over Rise



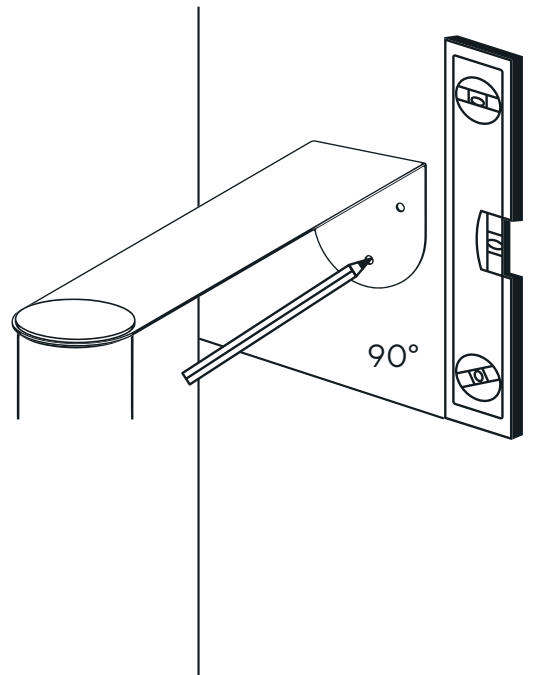
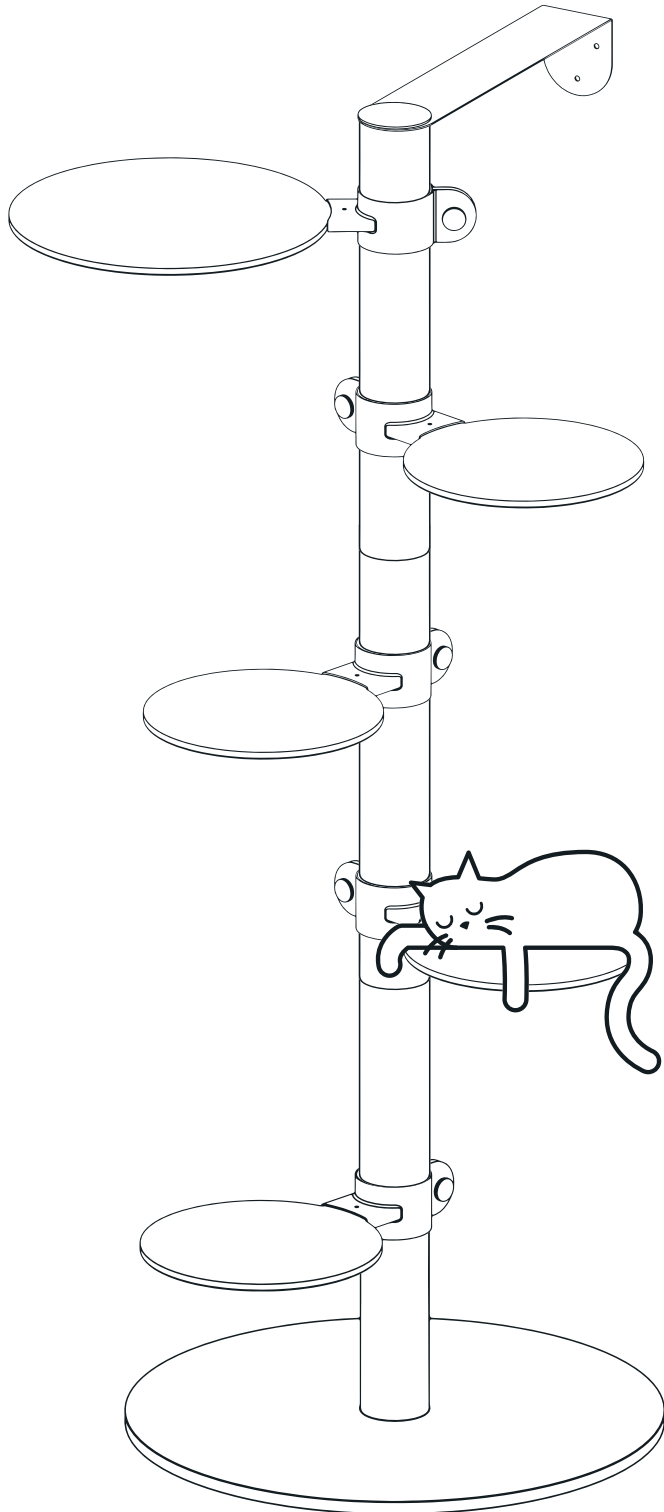
06

Connect the
Fix to the Rise
with the Cap



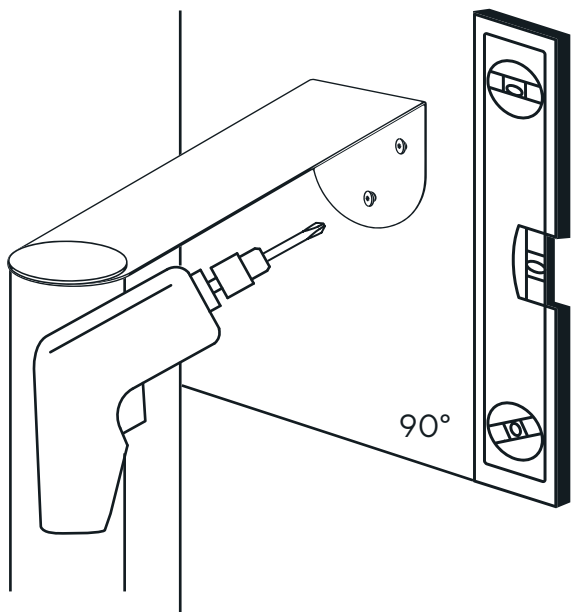
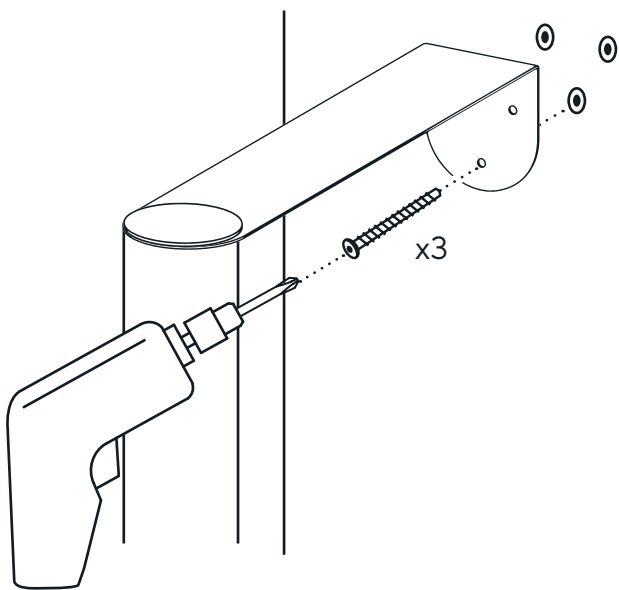
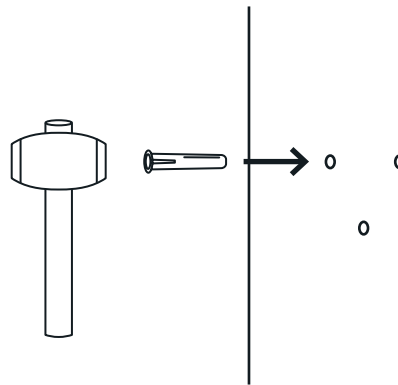
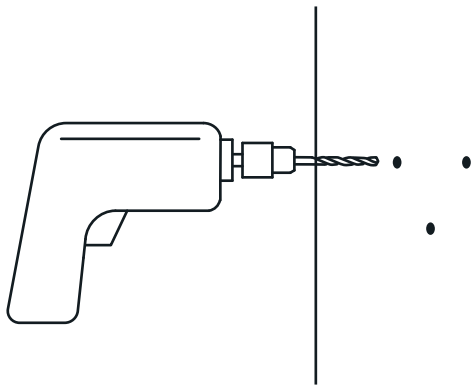
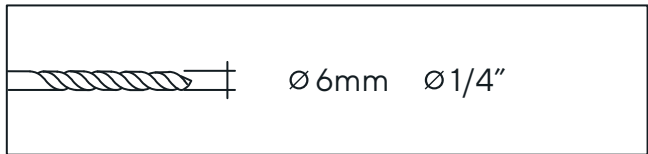
07

Indicate where
to drill



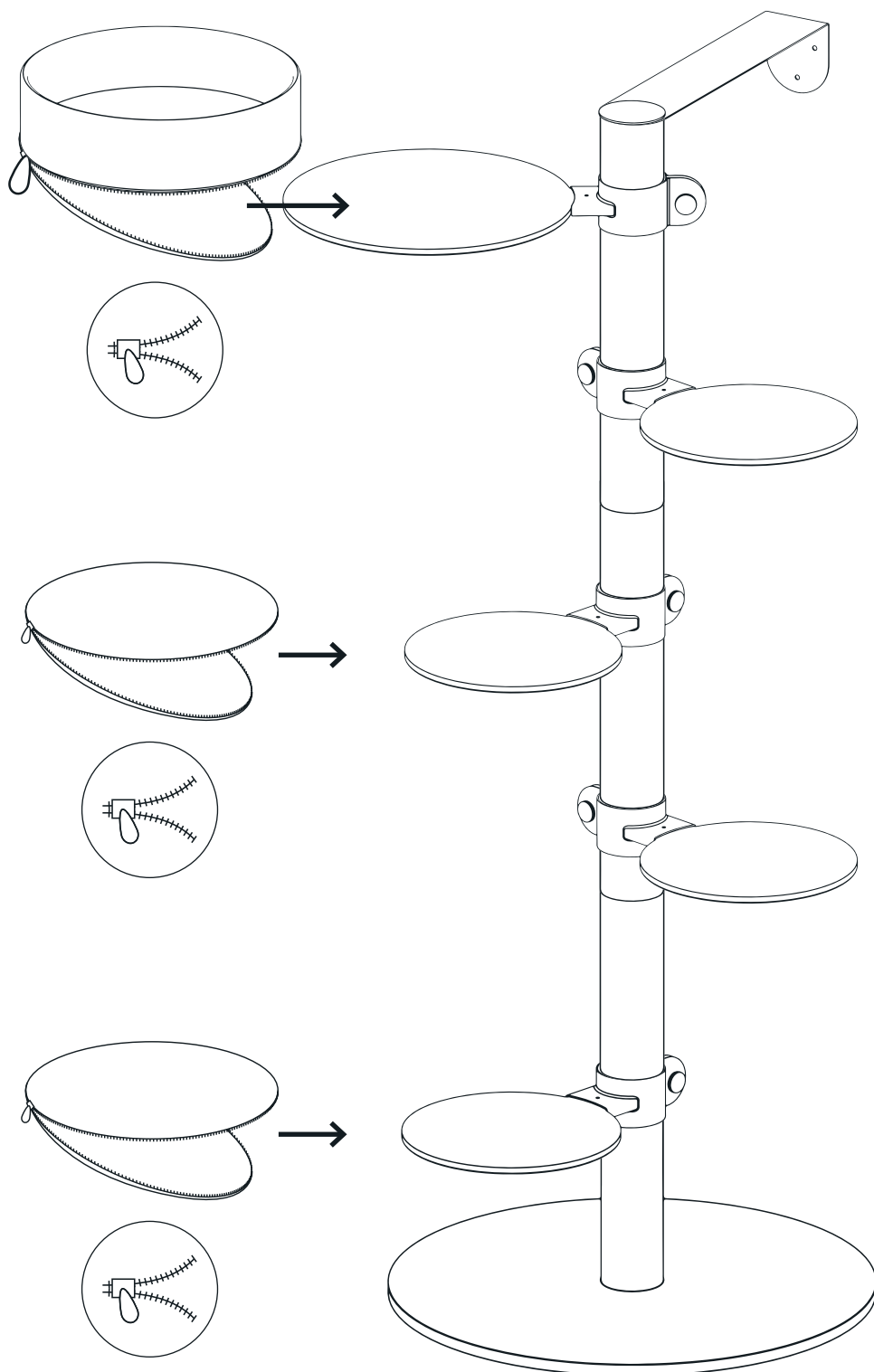
08

Drill the holes and install the Fix



09

Add Climb cover and Chill basket to the platforms



Finished

