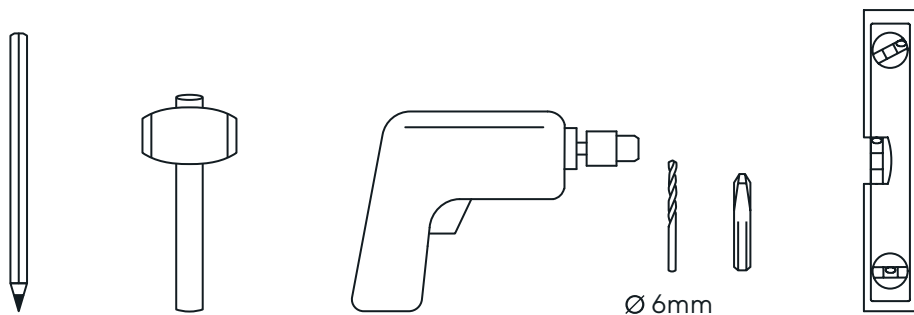
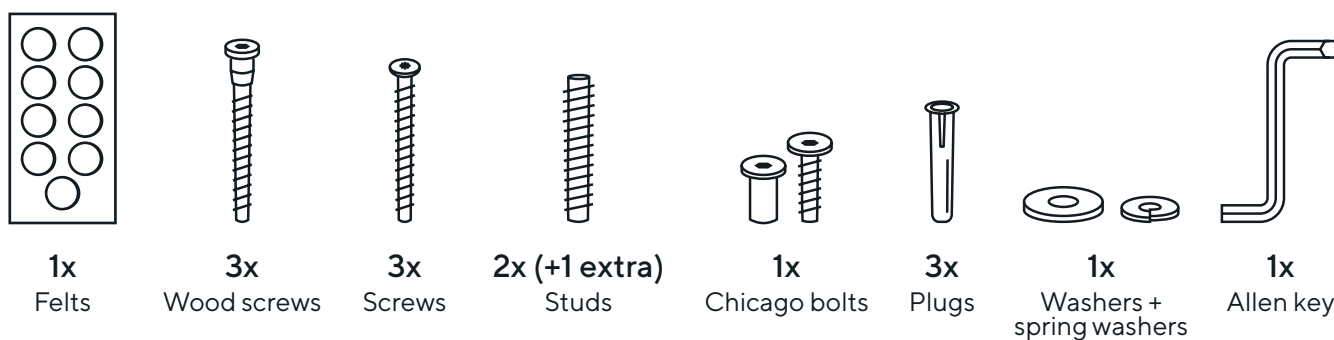


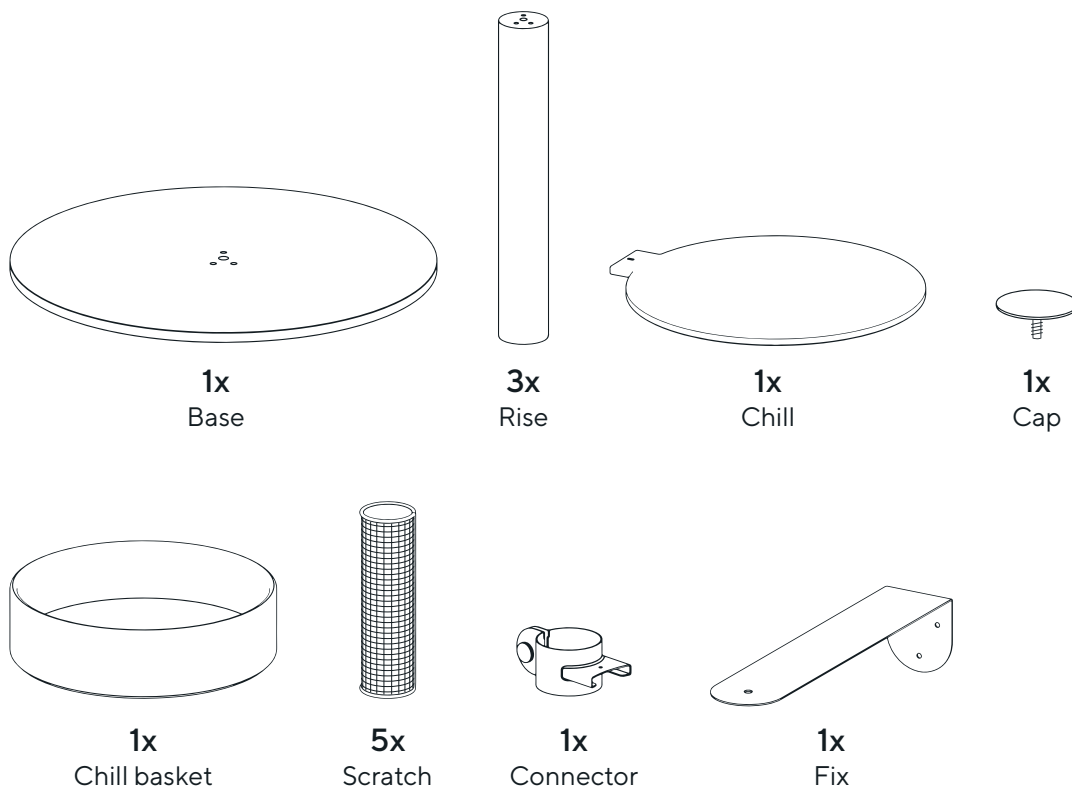
Required tools



Hardware included

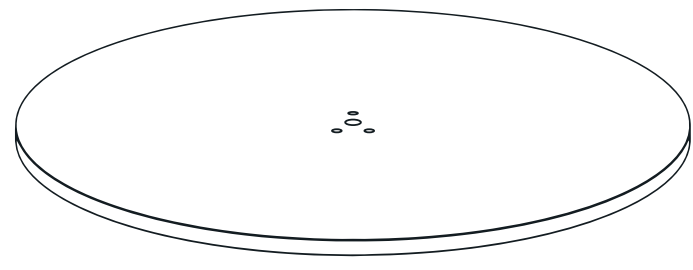


Components included



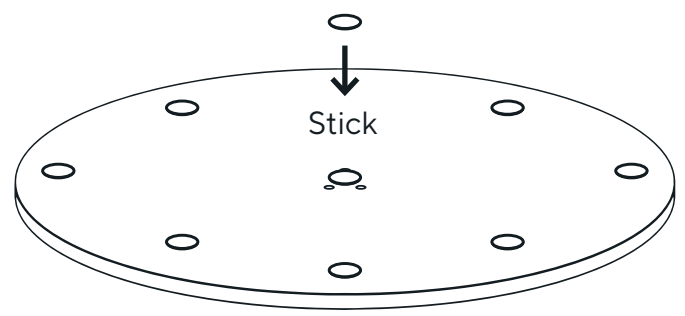
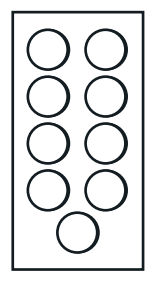
01

Add felts to the Baseplate



↻ Flip

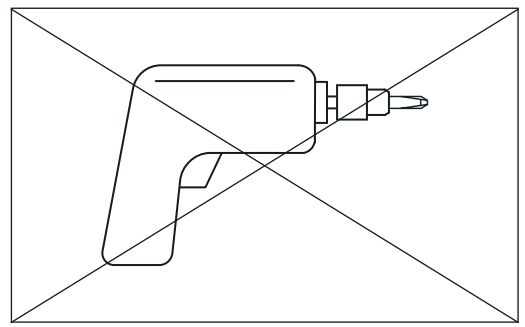
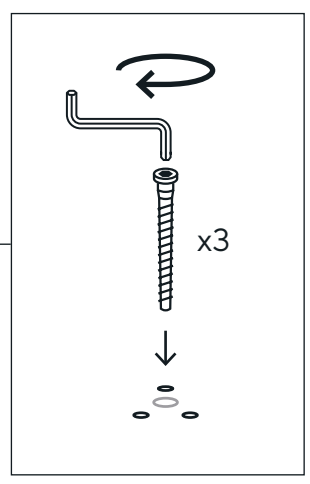
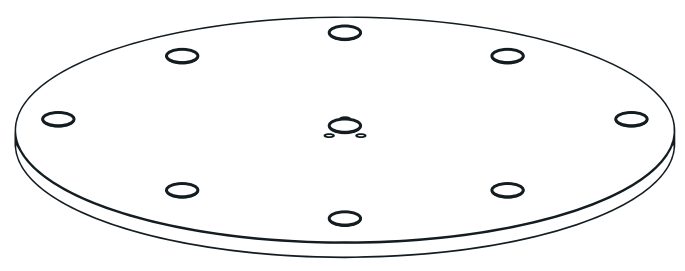
Top



Bottom

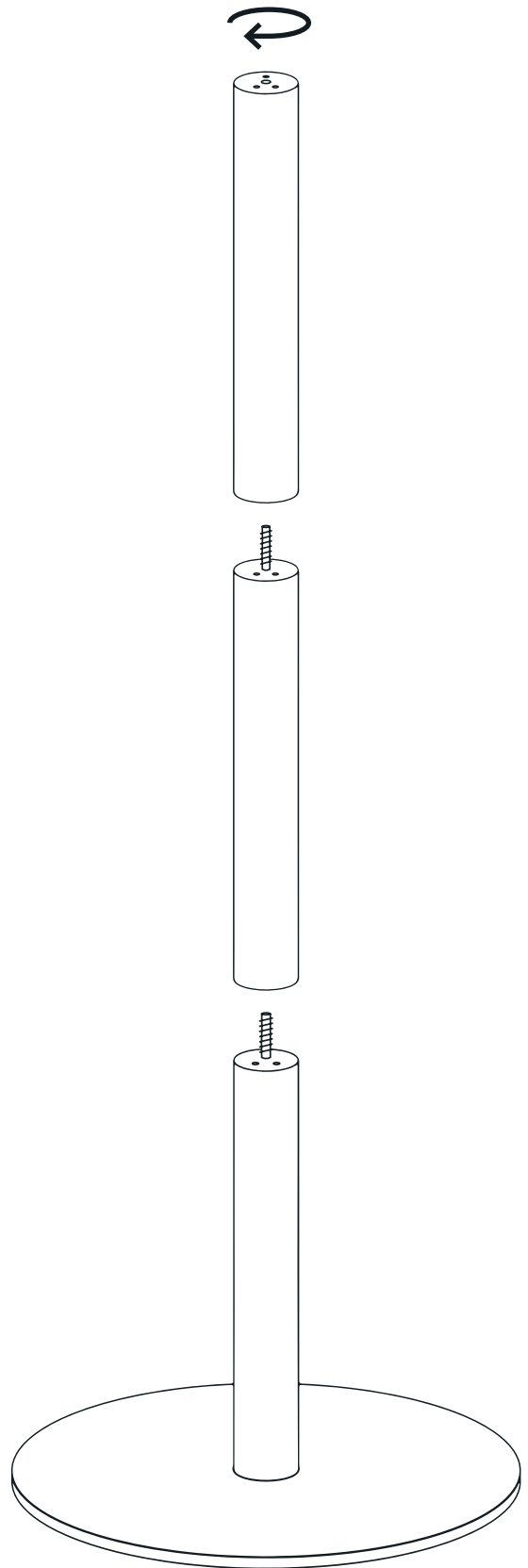
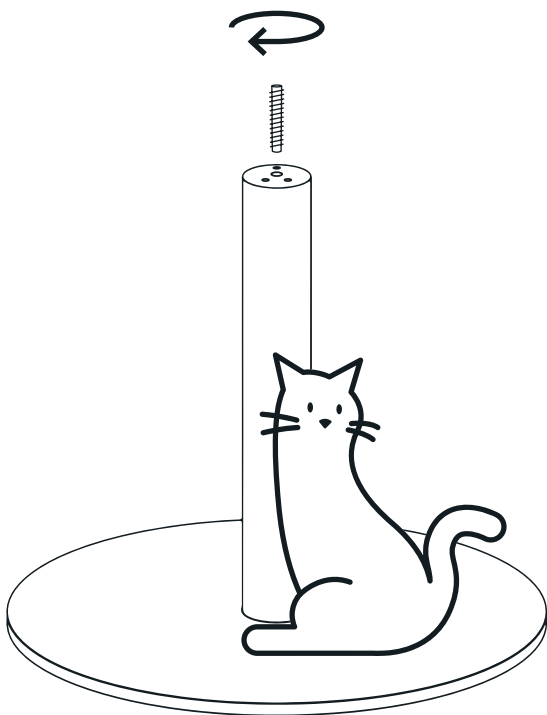
02

Add Rise to the Baseplate



03

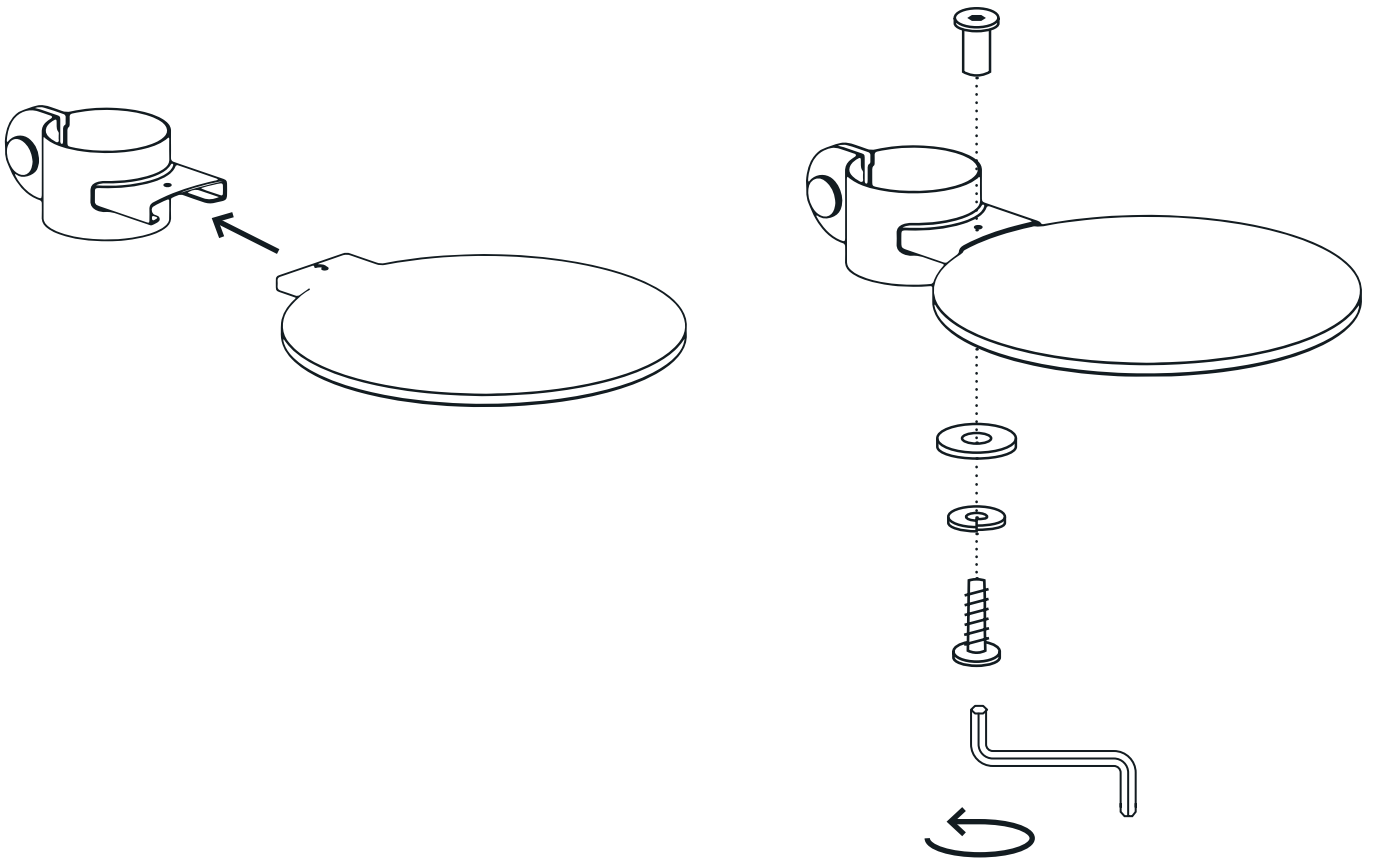
Connect
the Rises



04

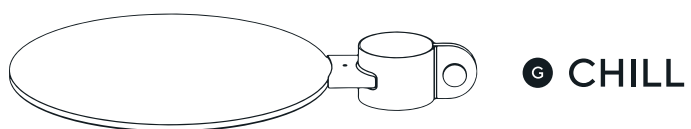
Connect
platform to the
Connector

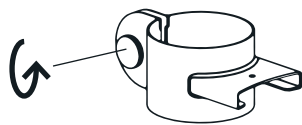
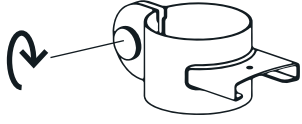
G CHILL x1



05

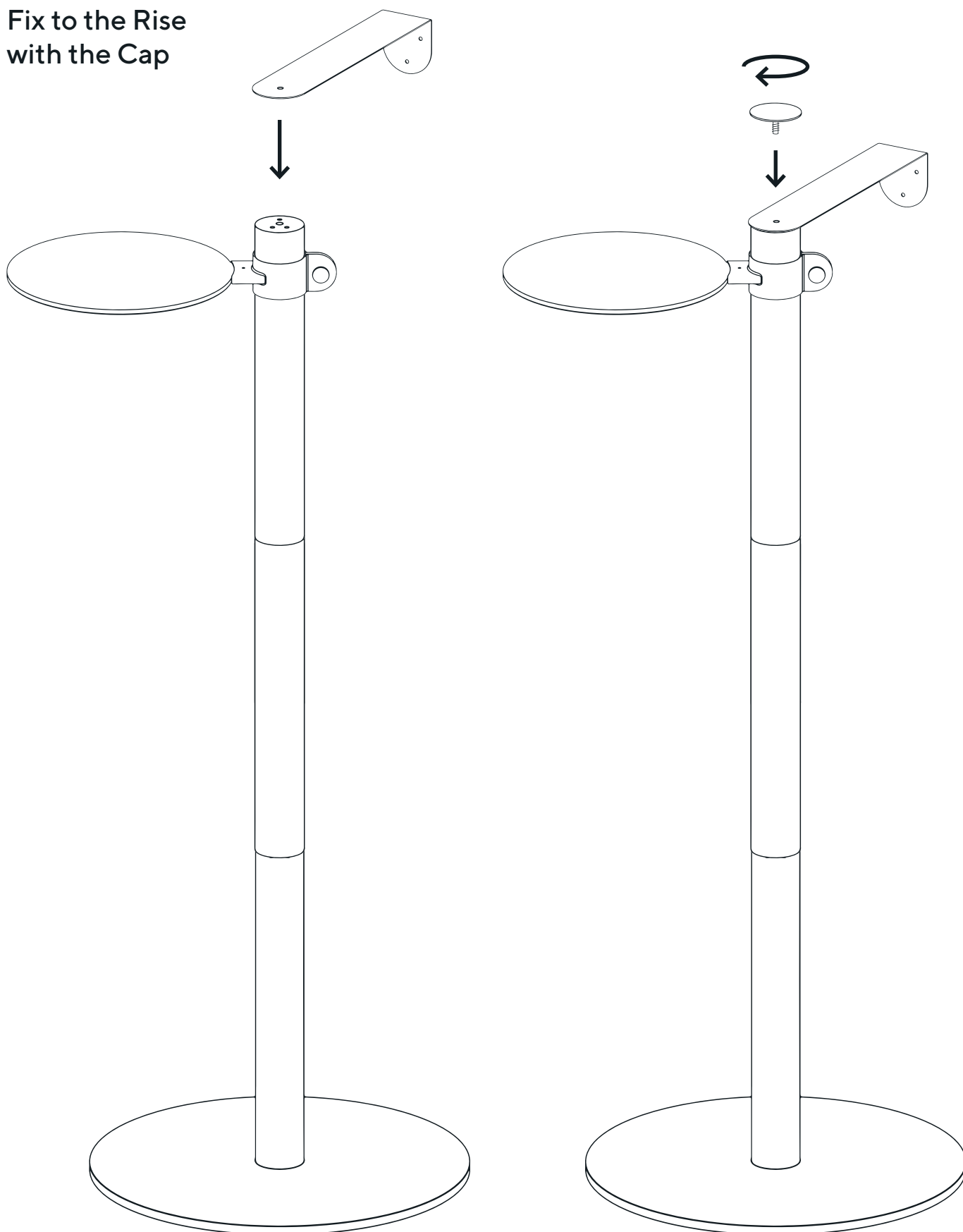
Slide over Rise



 <p>Loosen</p>	1.
 <p>Tighten</p>	2.

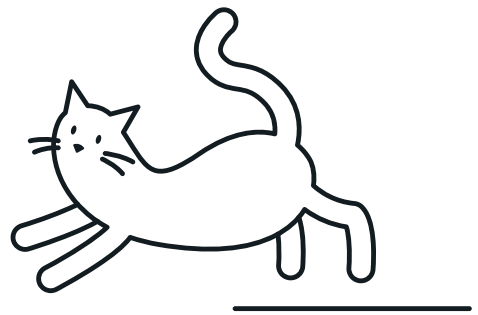
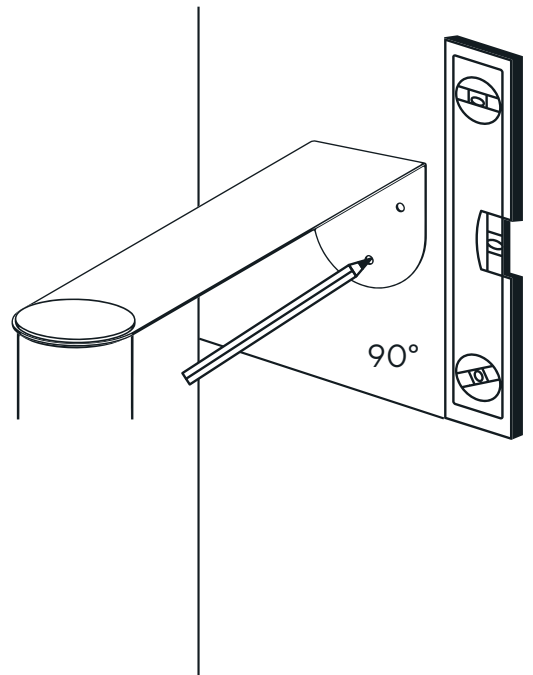
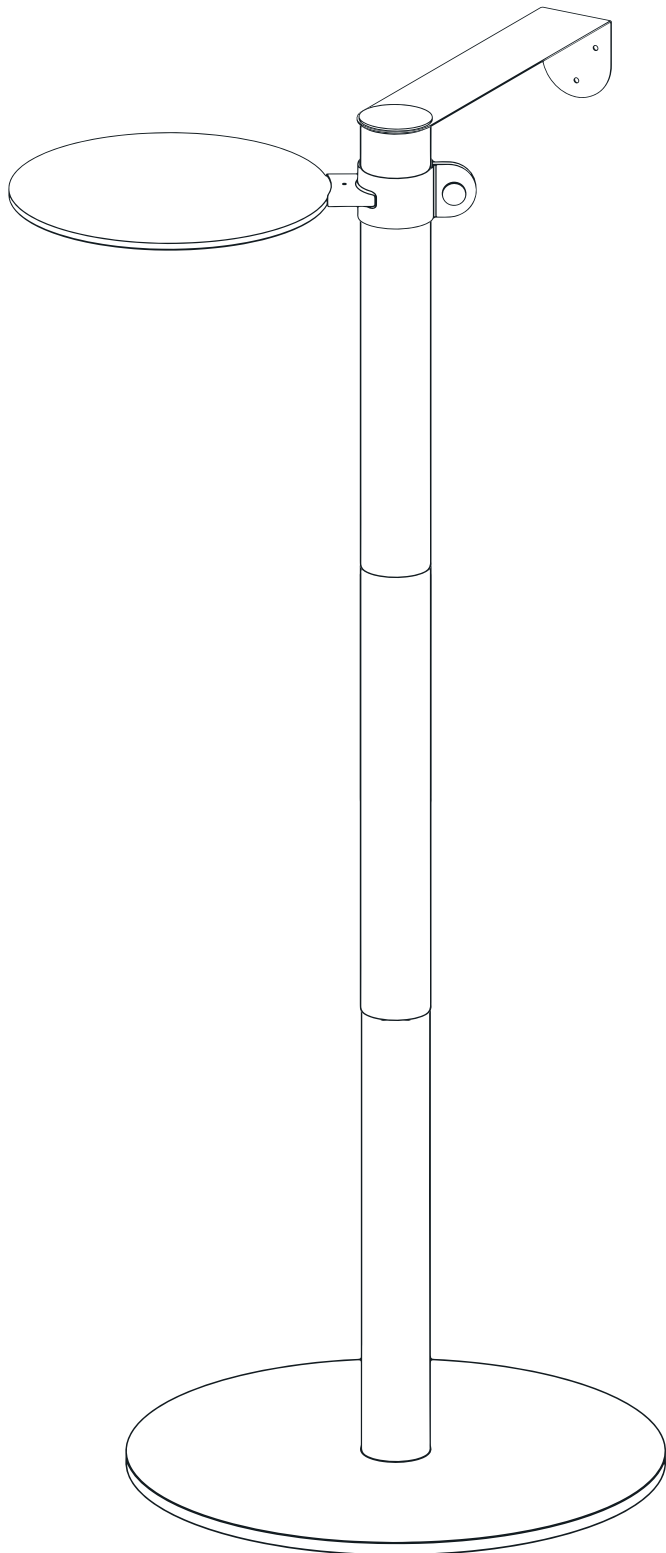
06

Connect the
Fix to the Rise
with the Cap



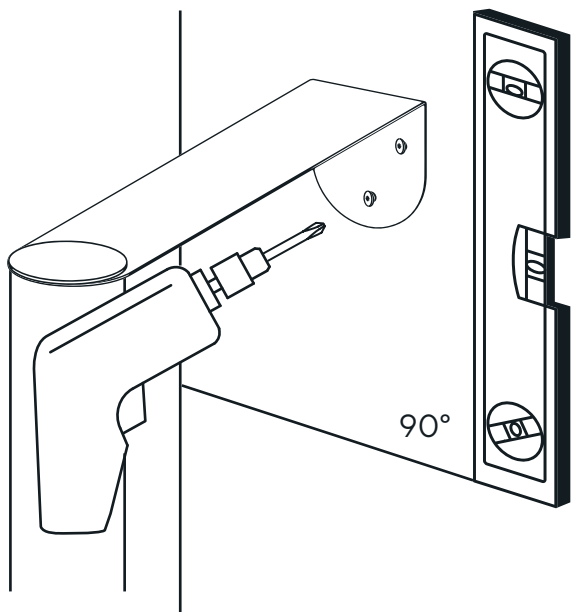
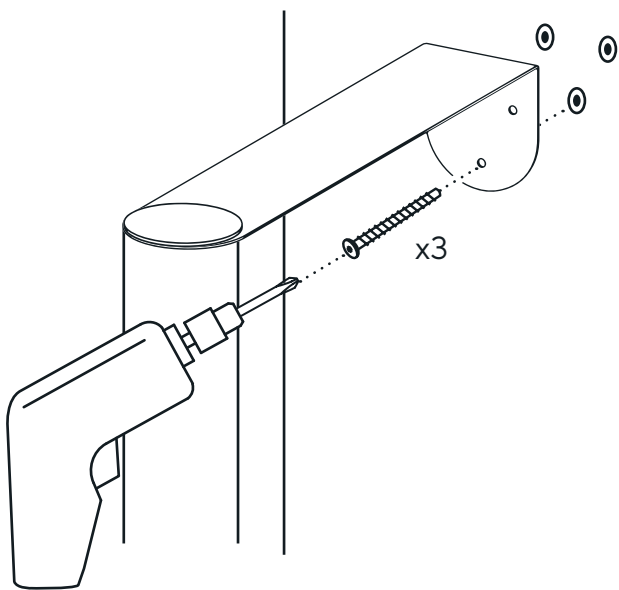
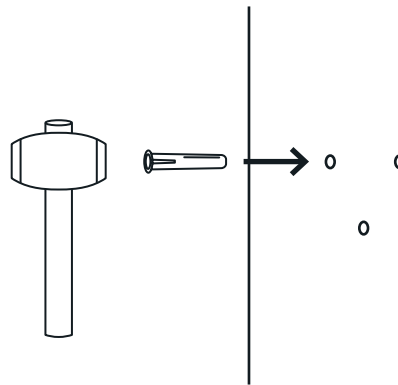
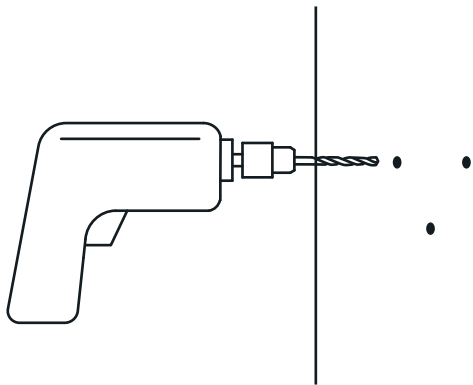
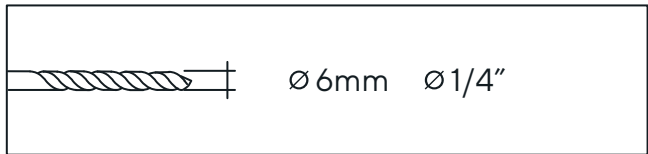
07

Indicate where
to drill

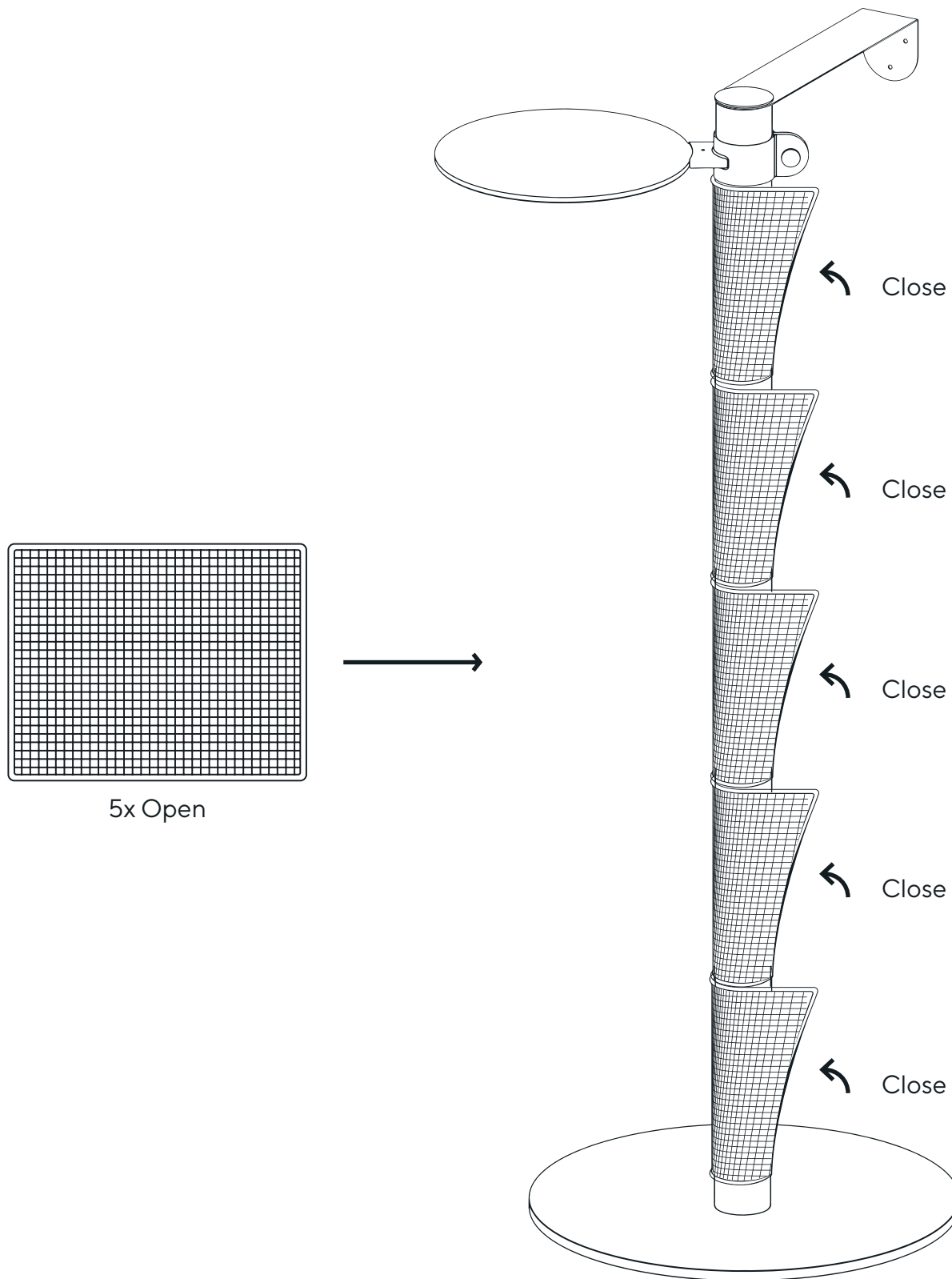


08

Drill the holes and install the Fix

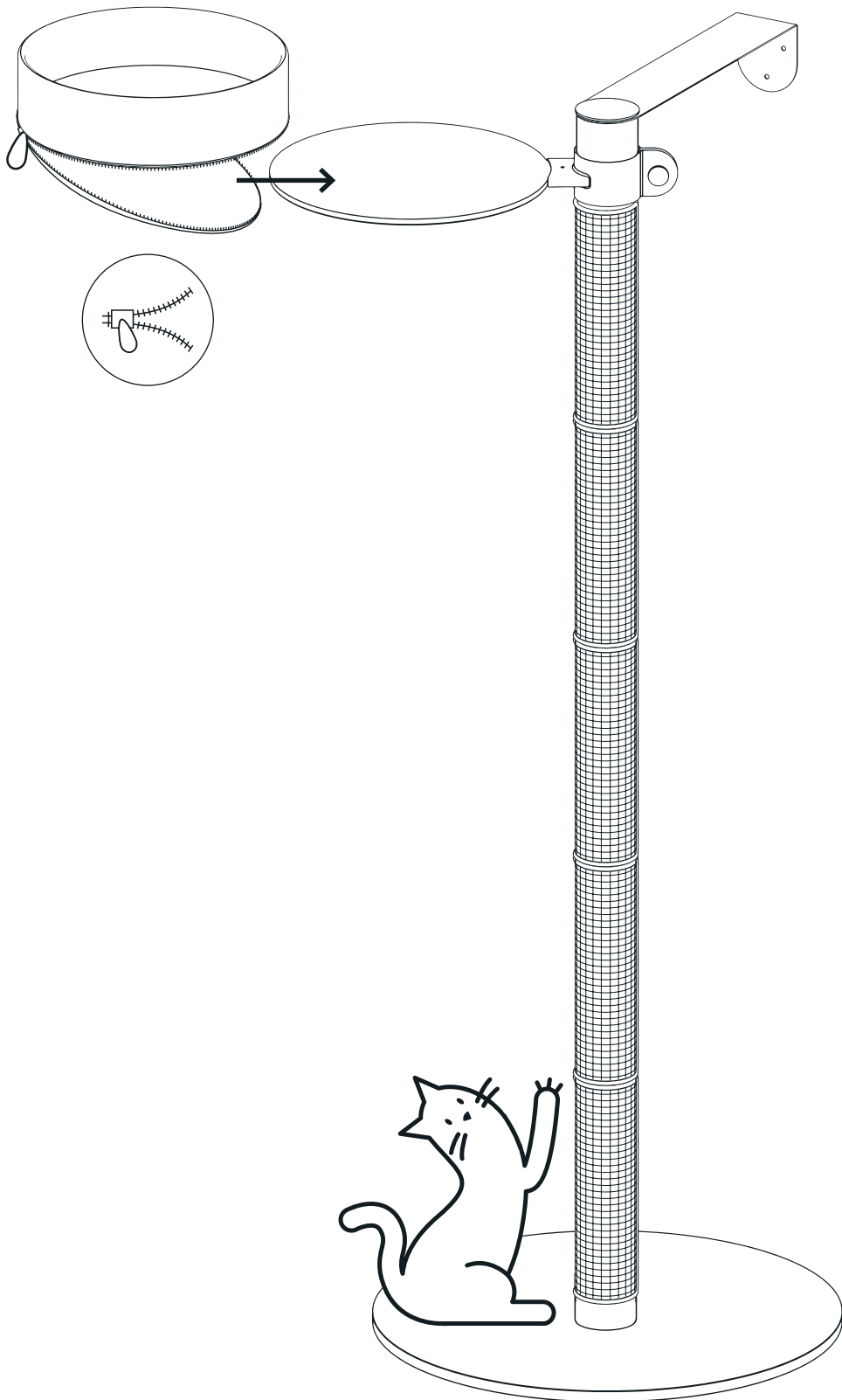


Add Scratch over the Rise



10

Add Chill basket
to the platform



Finished

