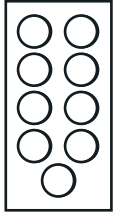


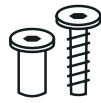
## Hardware included



**1x**  
Felts



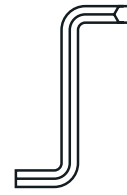
**3x**  
Wood screws



**3x**  
Chicago bolts



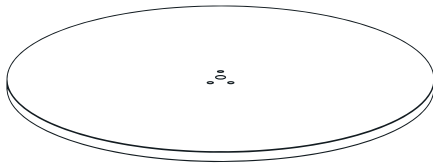
**x**  
Washers +  
spring washers



**1x**  
Allen key

---

## Components included



**1x**  
Base



**1x**  
Rise



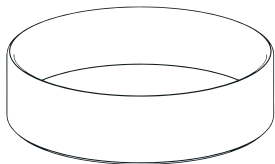
**1x**  
Chill



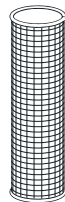
**1x**  
Cap



**1x**  
Connector



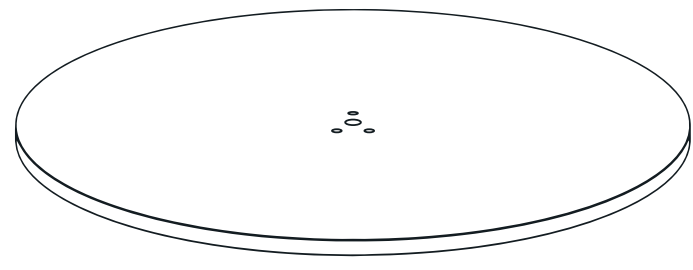
**1x**  
Chill basket



**1x**  
Scratch

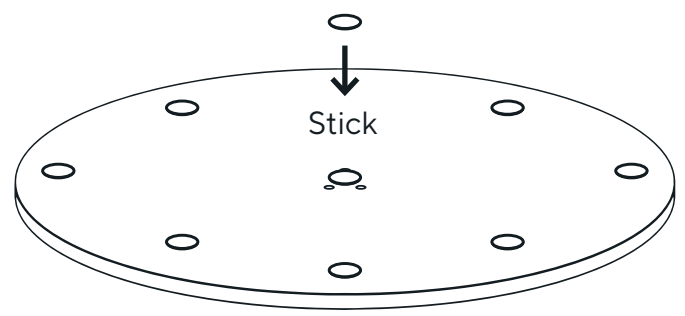
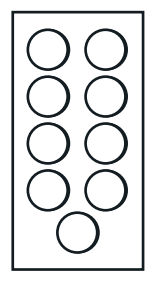
01

Add felts to the baseplate



↻ Flip

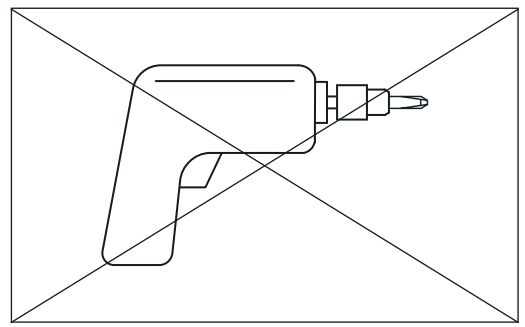
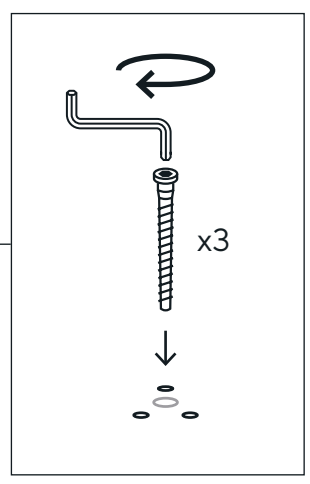
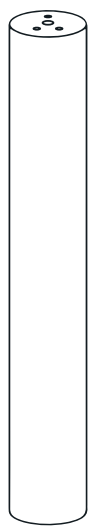
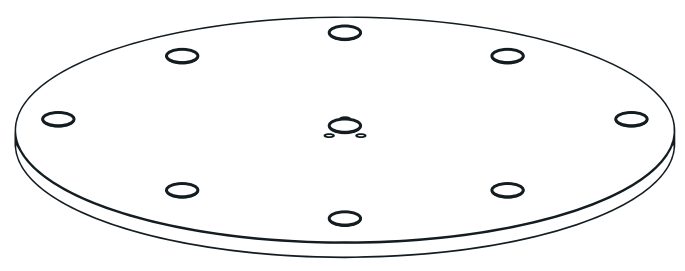
Top



Bottom

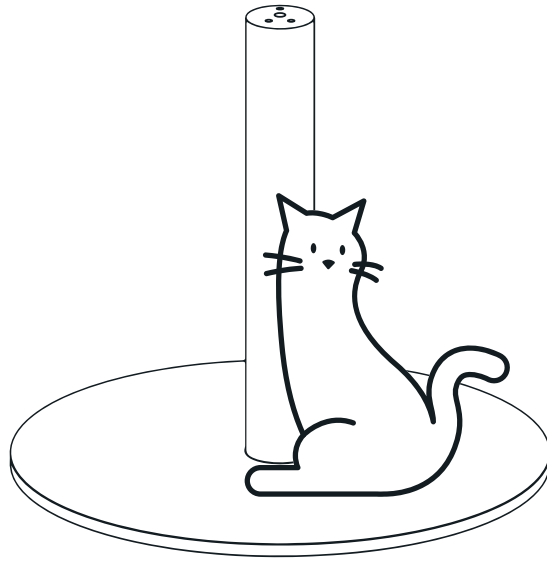
02

Add rise to the baseplate



03

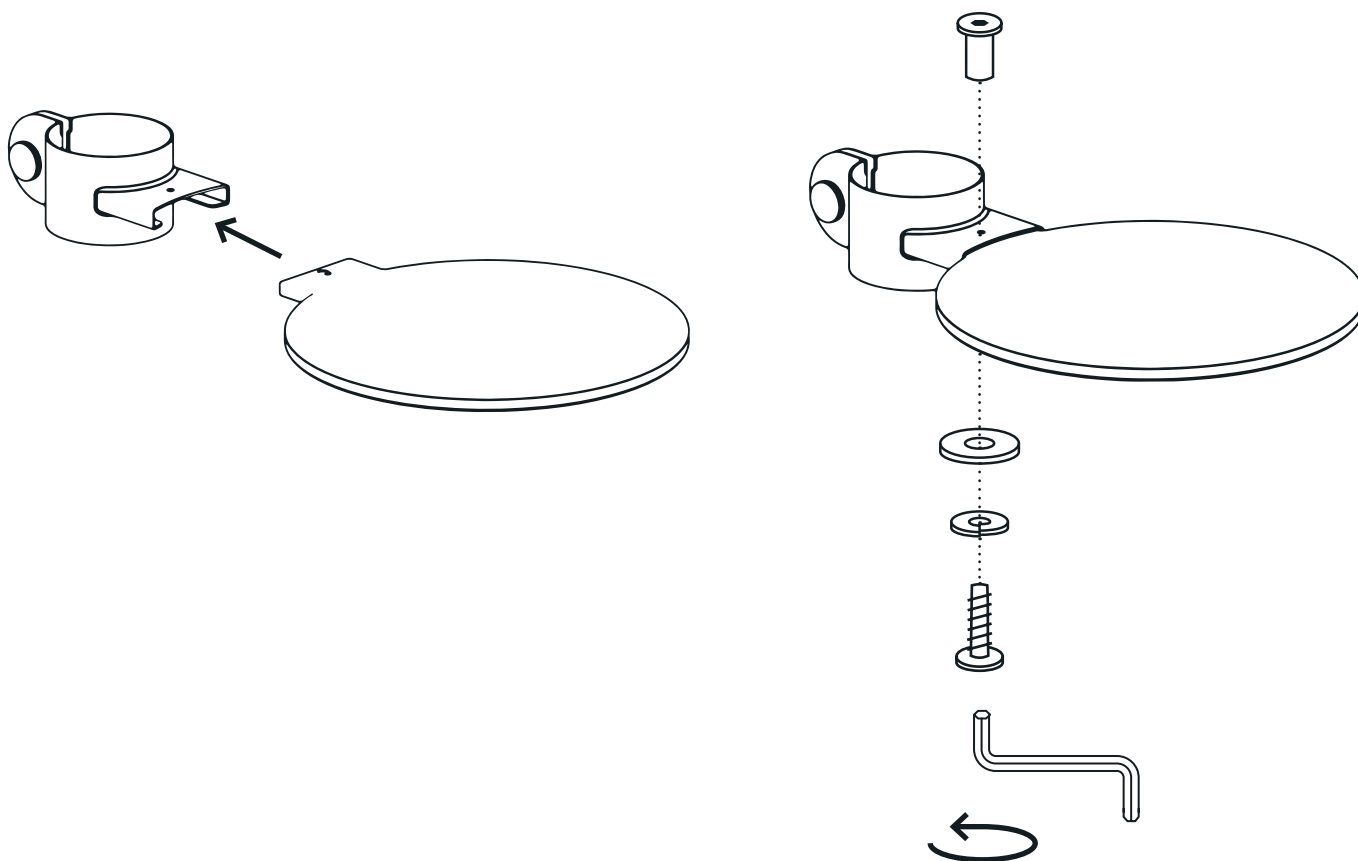
Connect  
the rises



04

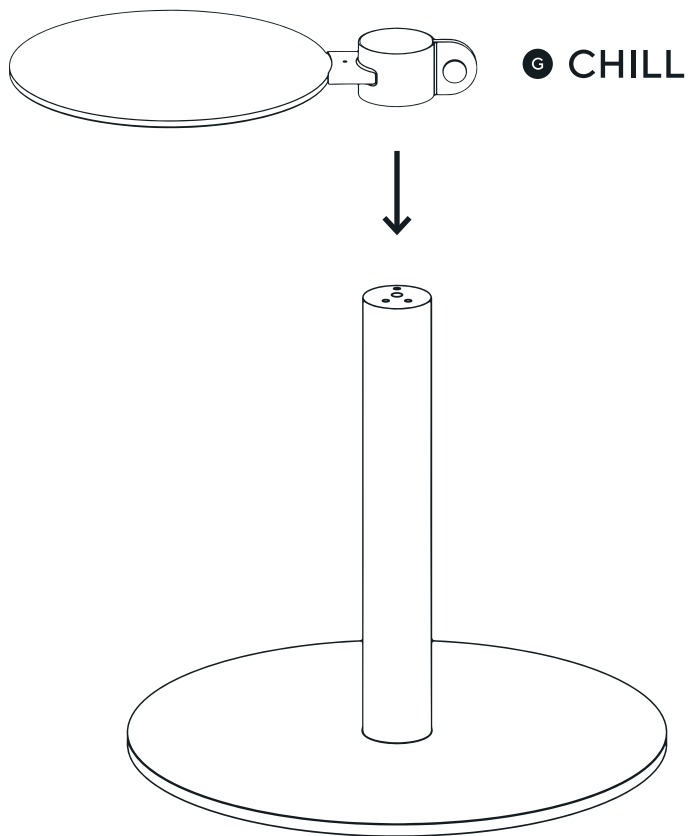
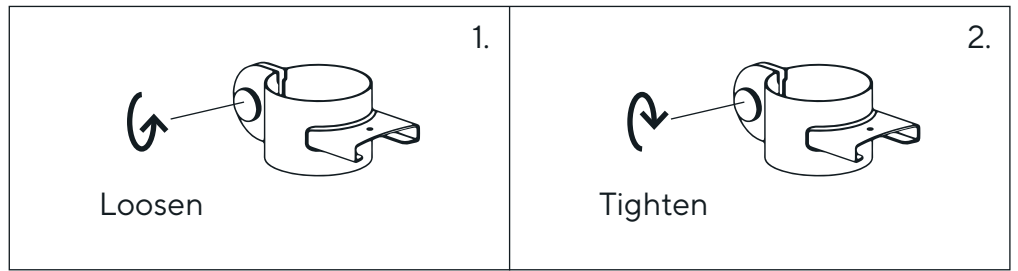
Connect platform to the connector

**G** CHILL x1



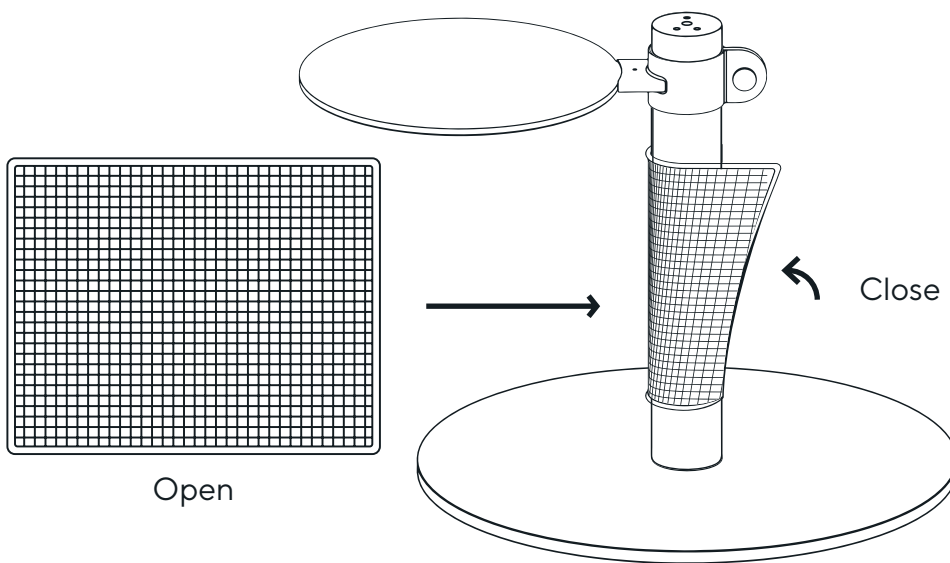
05

Slide over Rise



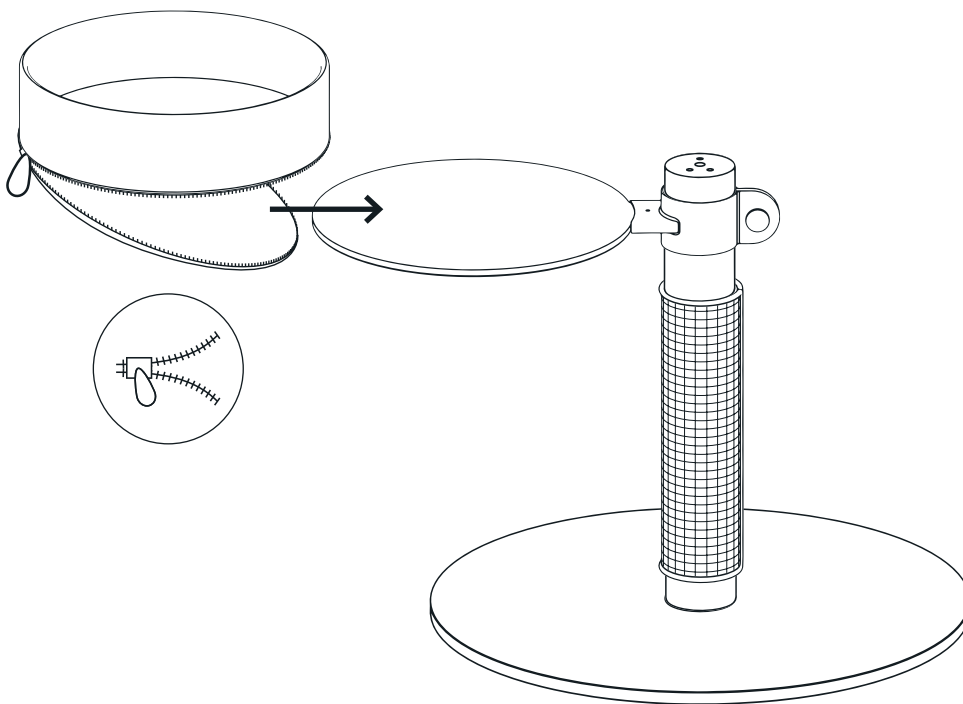
06

Add scratch over the rise



07

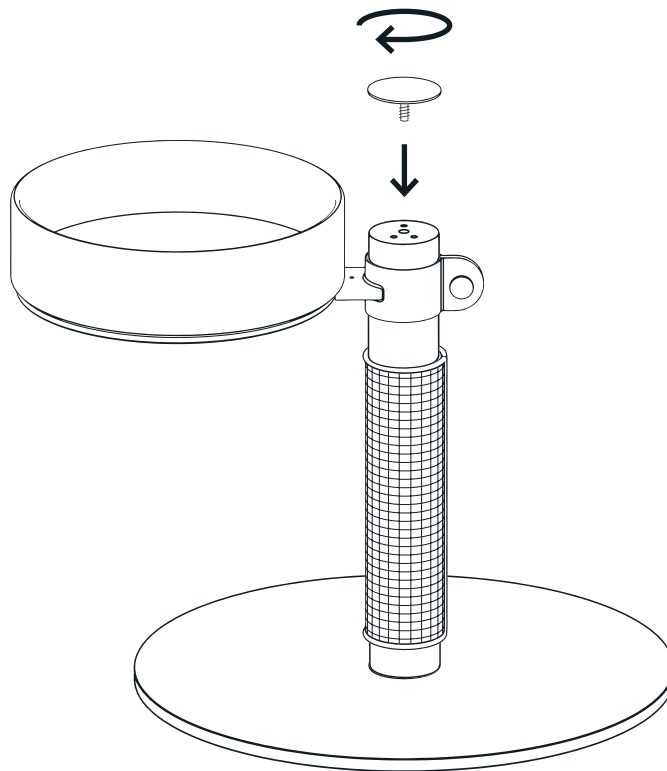
Add chill basket  
to the platform





08

Add the top cap to the rise



Finished

