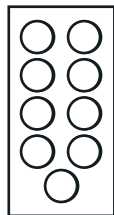


Hardware included



1x
Felts



6x
Wood screws



2x (1+ extra)
Studs



3x
Chicago bolts

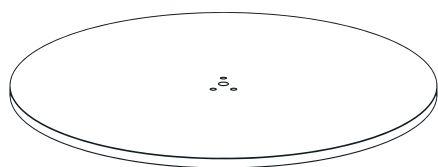


3x
Washers +
spring washers



1x
Allen key

Components included



1x
Base



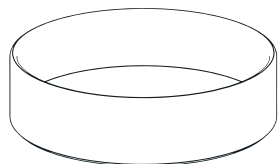
2x
Rise



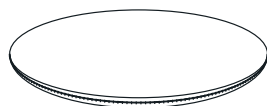
2x
Climb



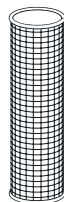
1x
Chill



1x
Chill basket



1x
Climb cover



1x
Scratch



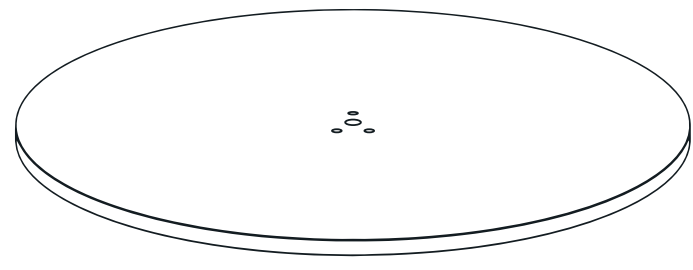
1x
Cap



3x
Connector

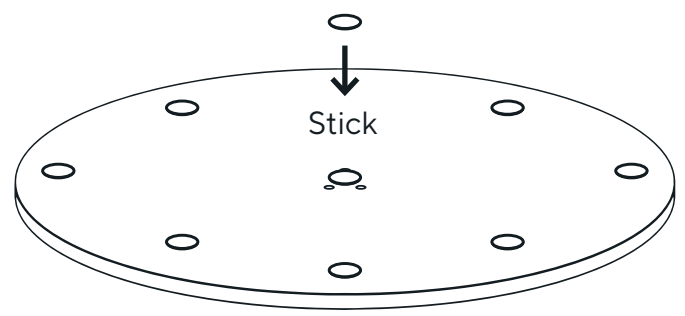
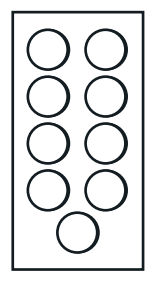
01

Add felts to the Baseplate



↻ Flip

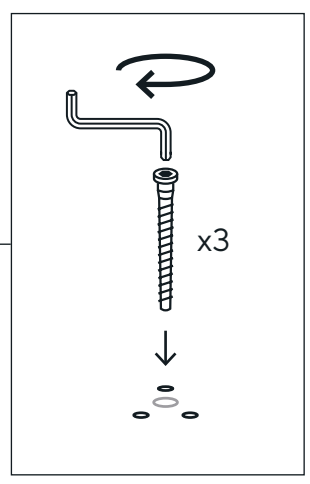
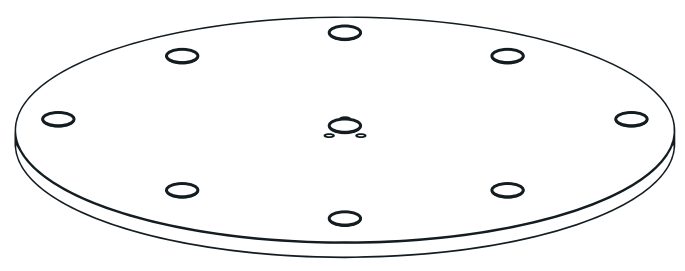
Top



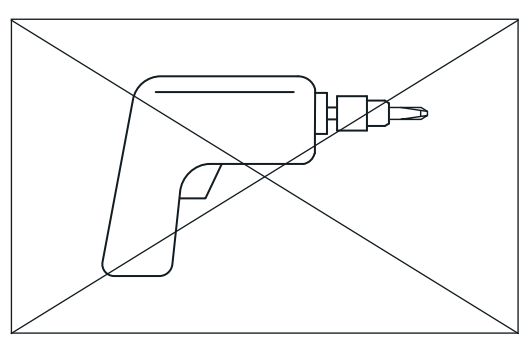
Bottom

02

Add Rise to the Baseplate

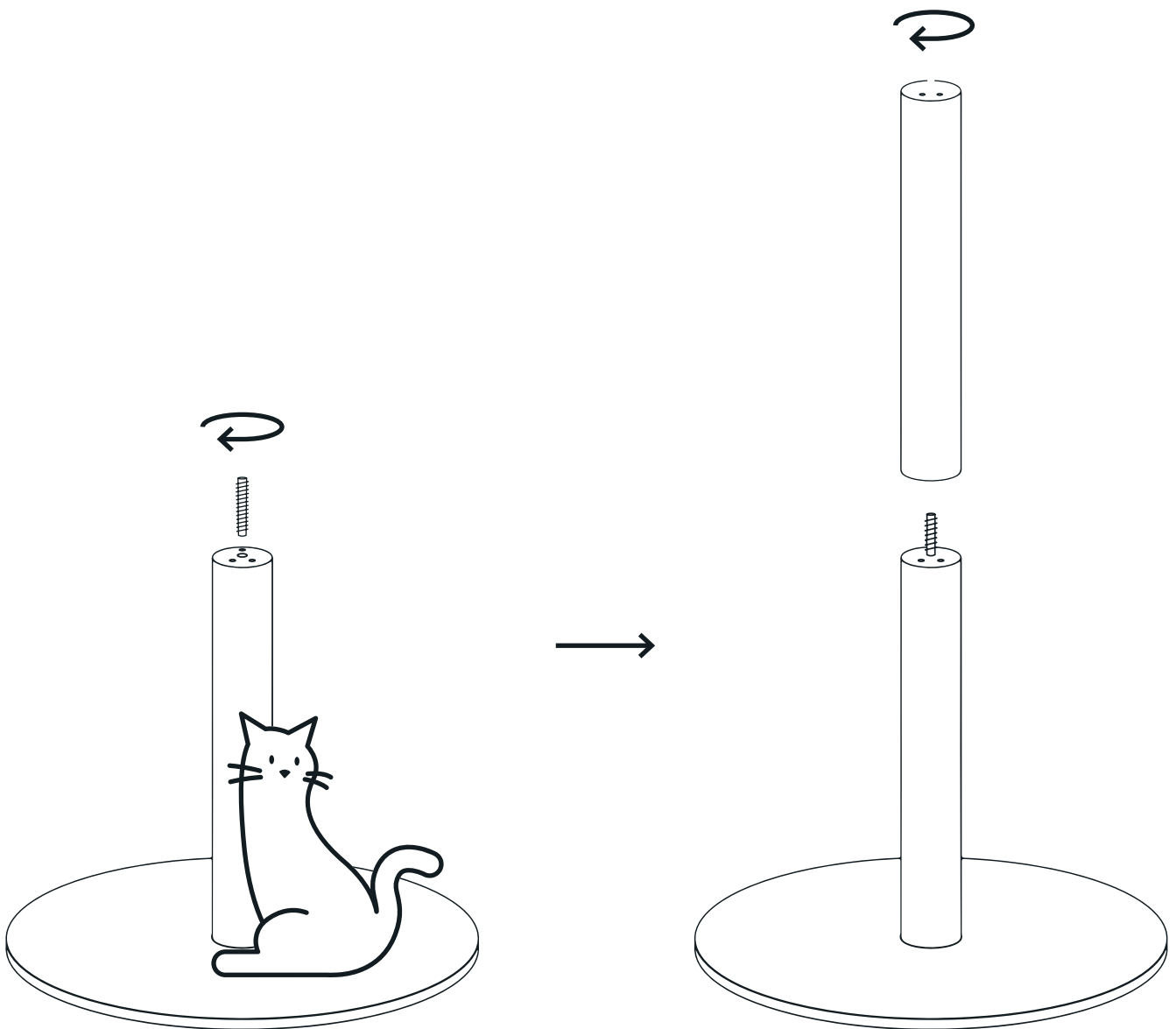


x3



03

Connect the Rises

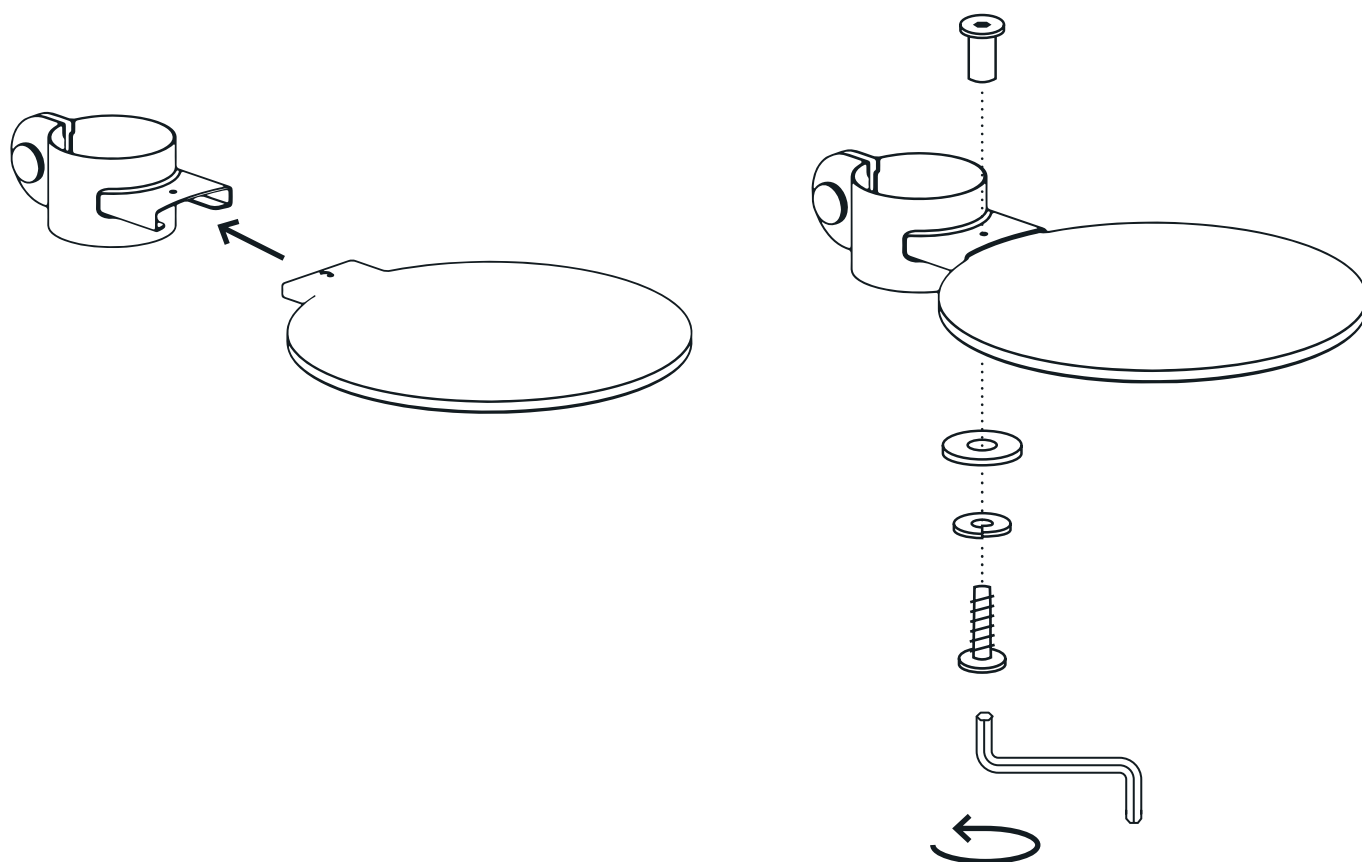


04

Connect
platforms to
the Connectors

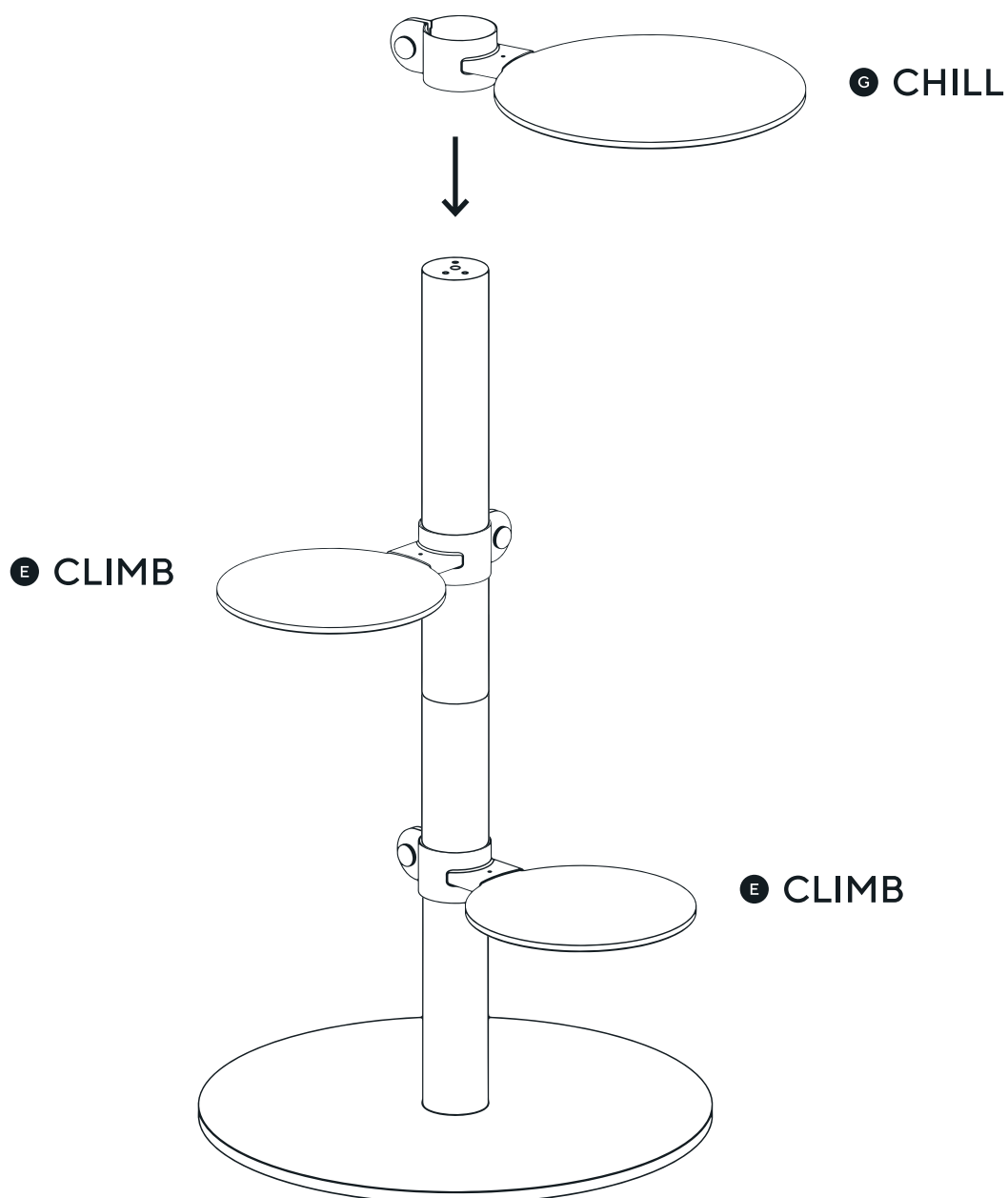
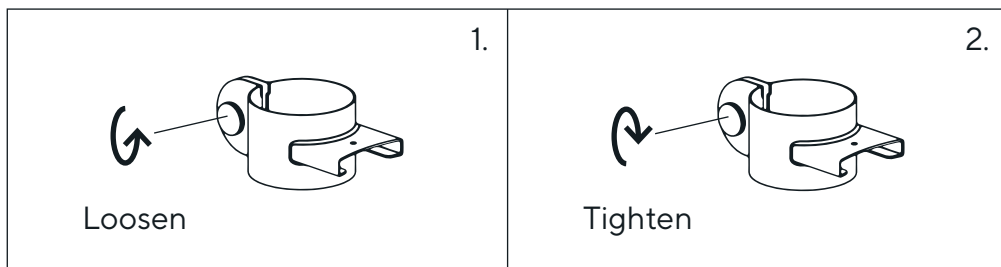
E CLIMB x2

G CHILL x1



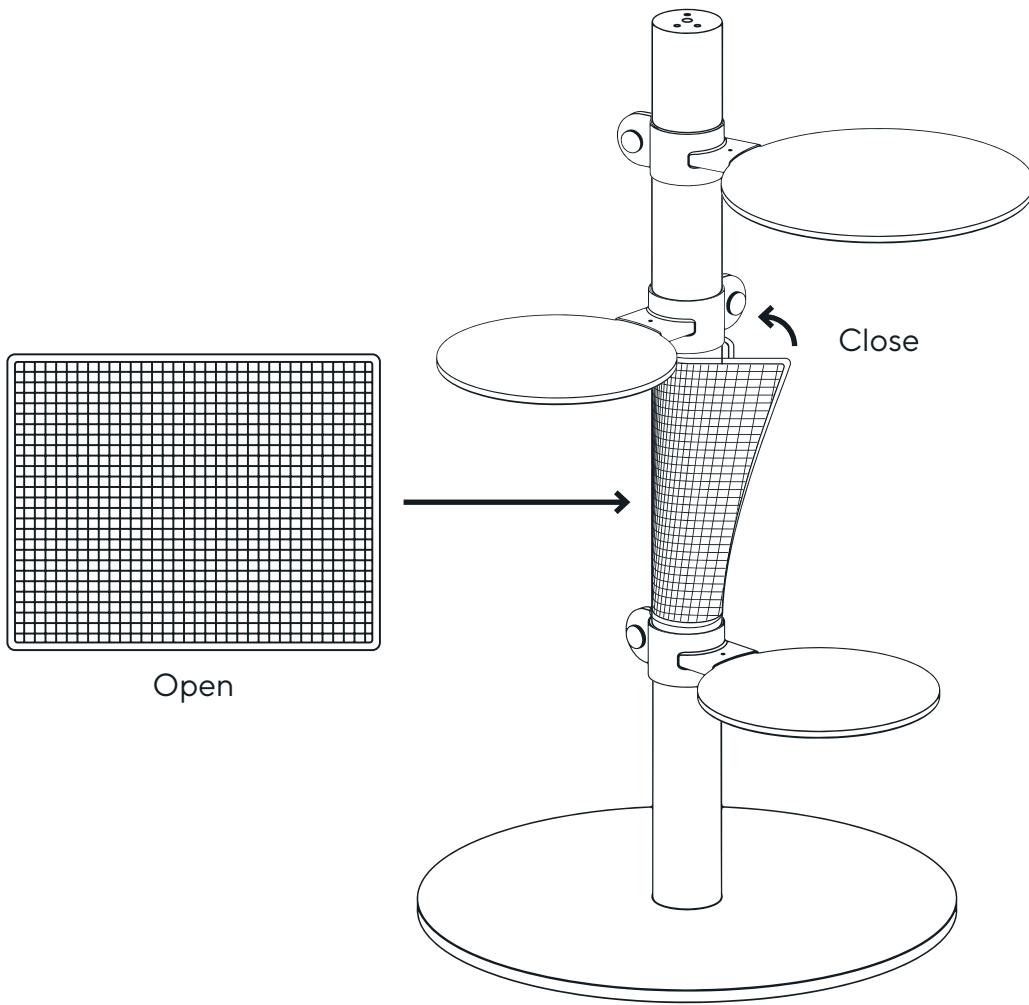
05

Slide over Rise



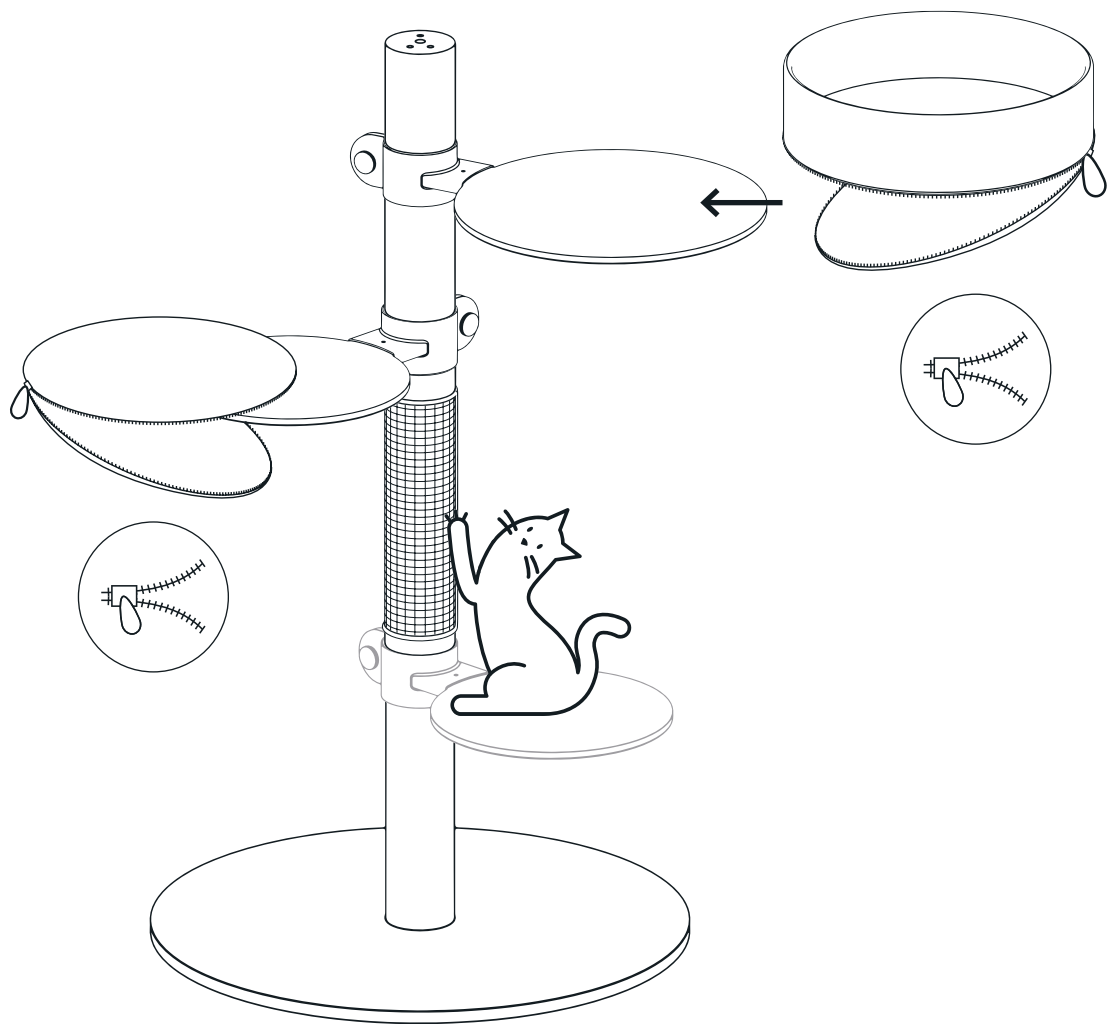
06

Add Scratch over the Rise



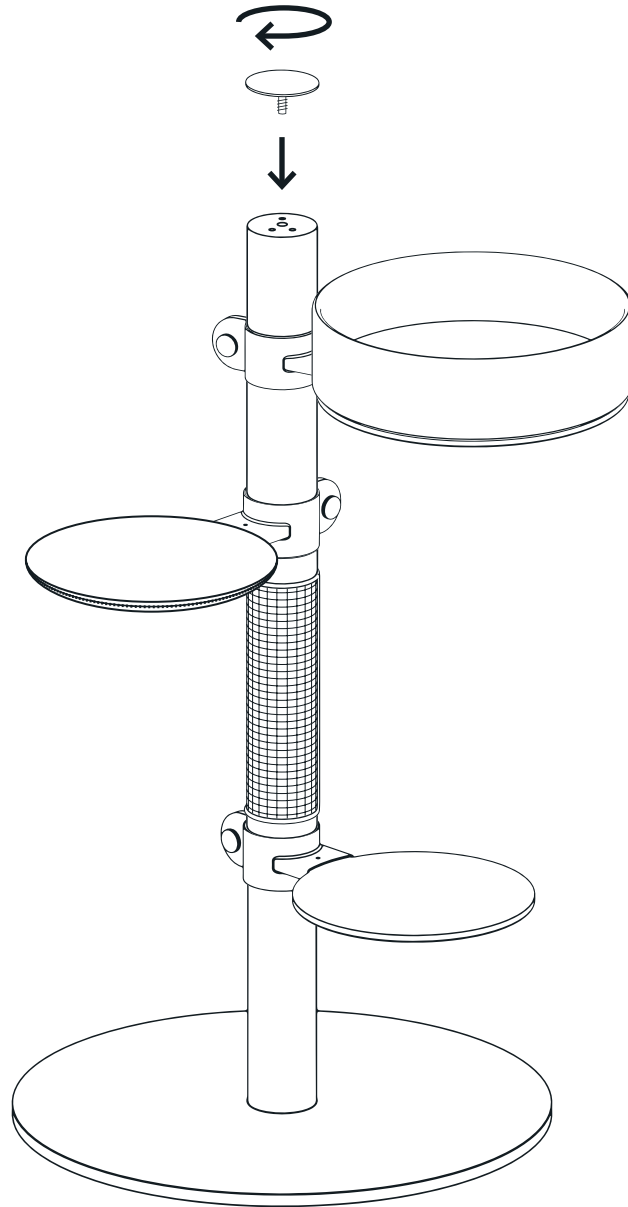
07

Add Climb cover and Chill basket to the platforms



08

Add the top Cap to the Rise



Finished

