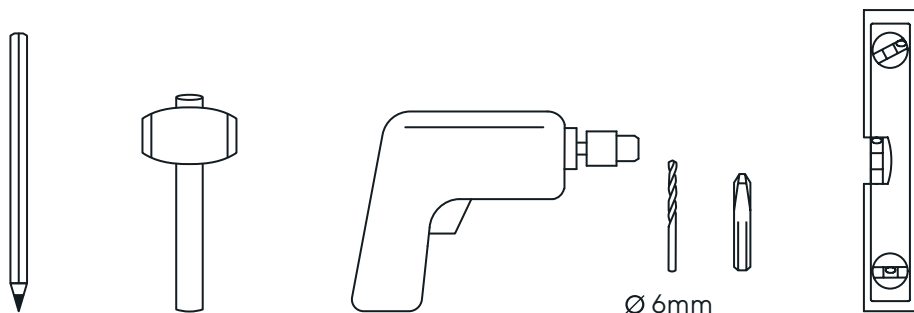
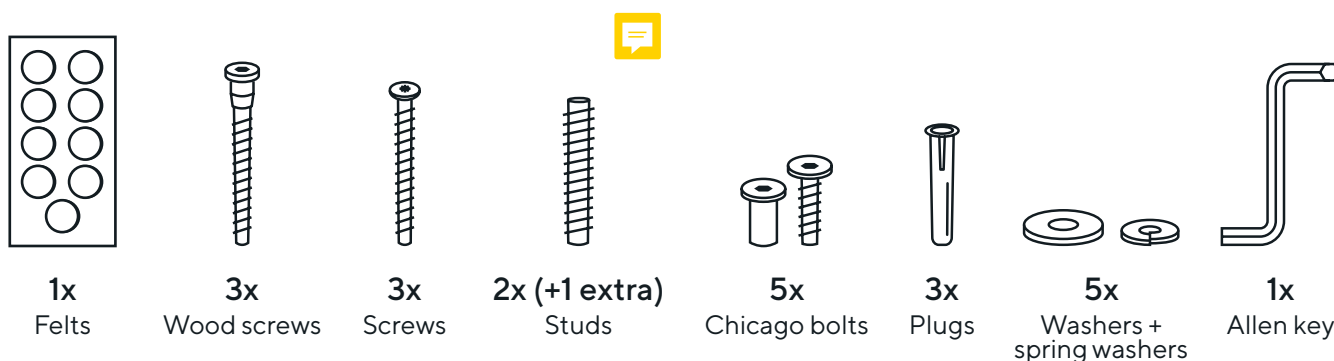




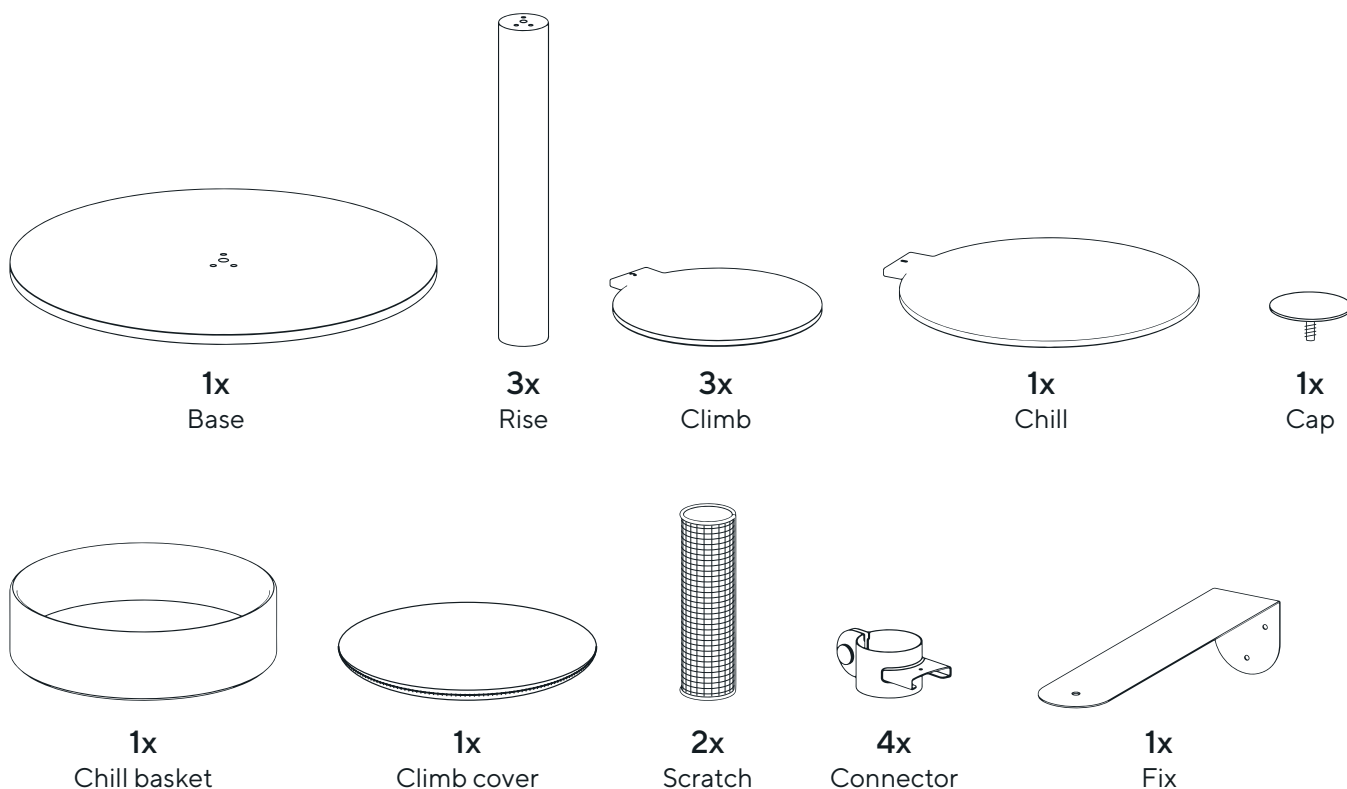
Required tools



Hardware included

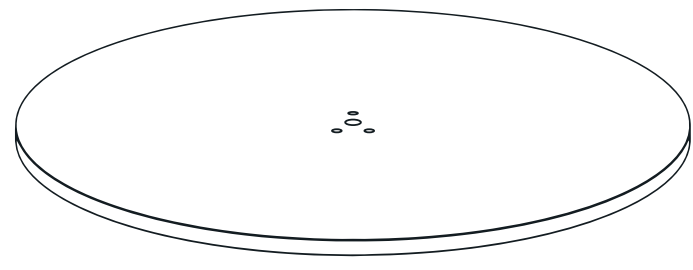


Components included



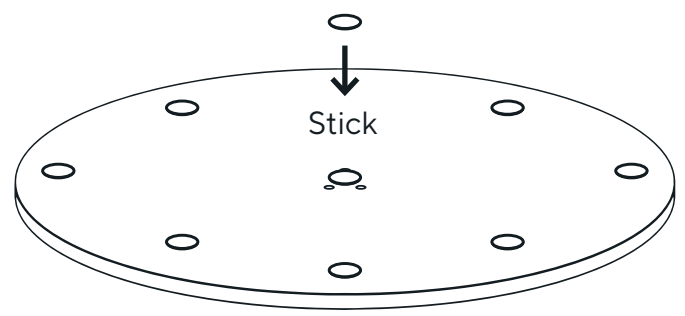
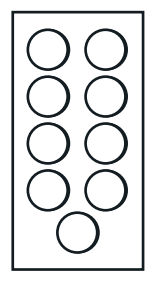
01

Add felts to the Baseplate



↻ Flip

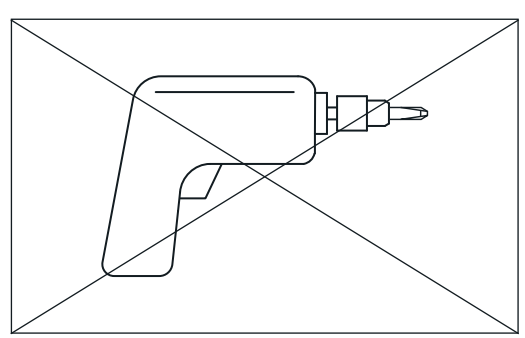
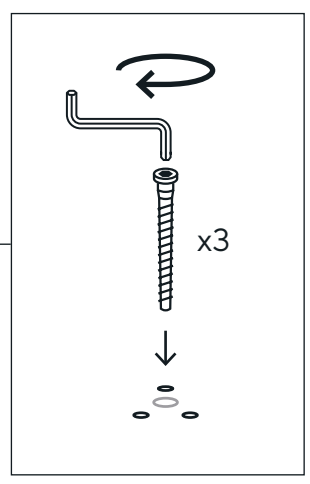
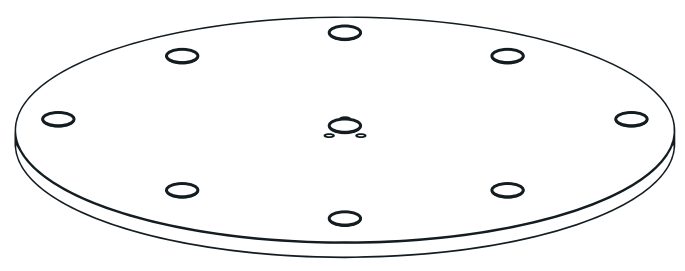
Top



Bottom

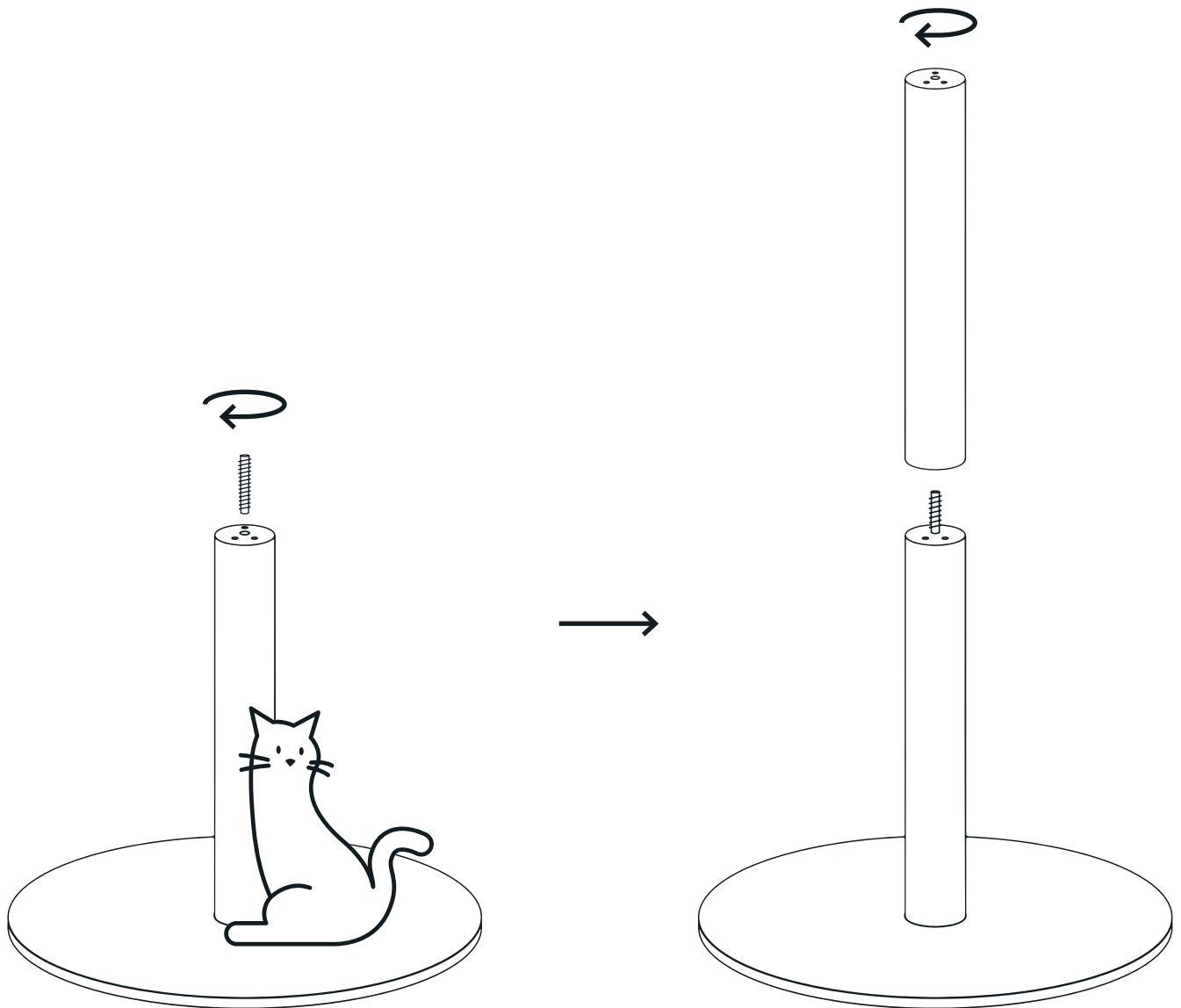
02

Add Rise to the Baseplate



03

Connect the Rises

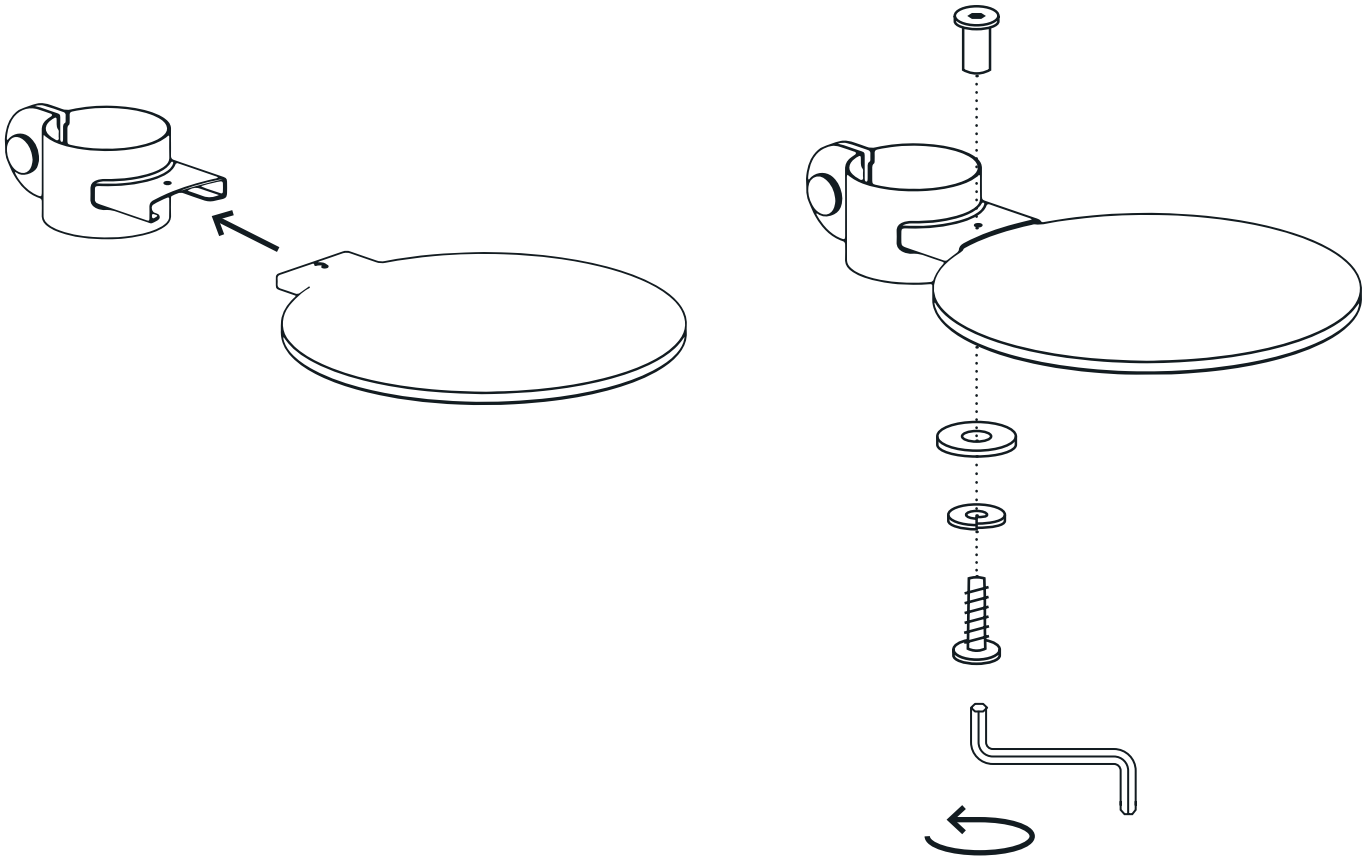


04

Connect
platforms to
the Connectors

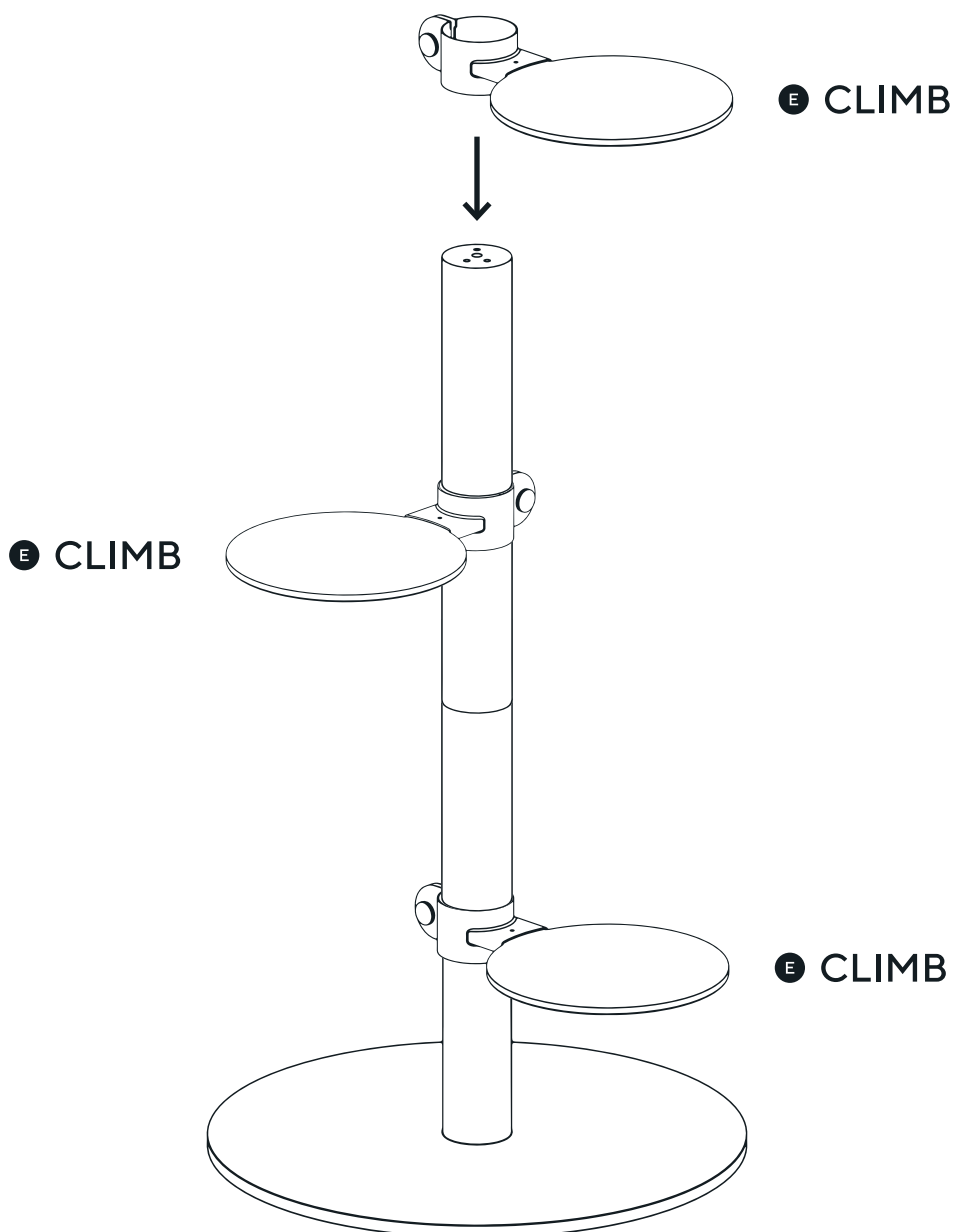
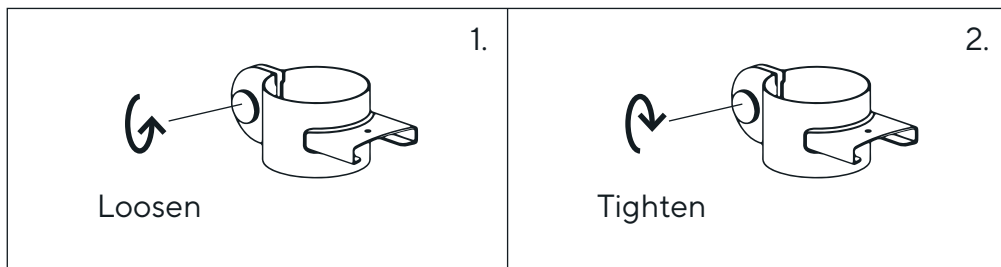
E CLIMB x3

G CHILL x1



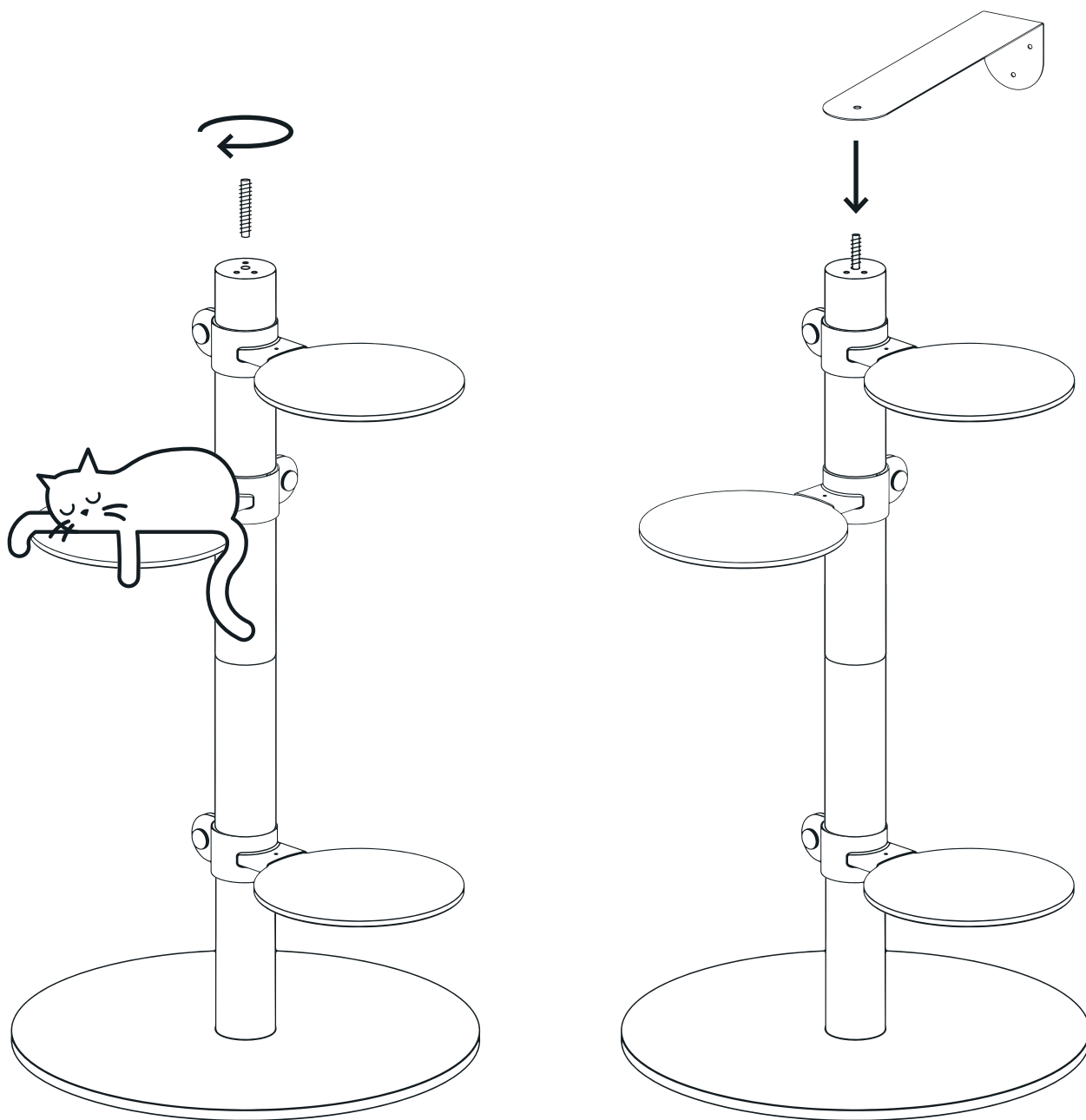
05

Slide over Rise



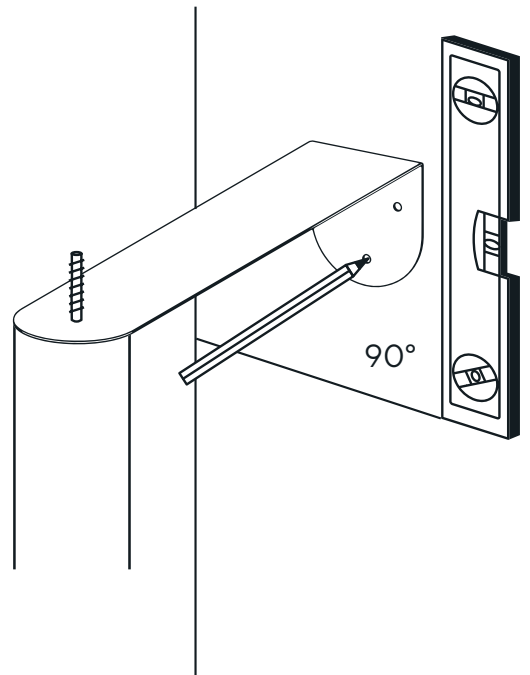
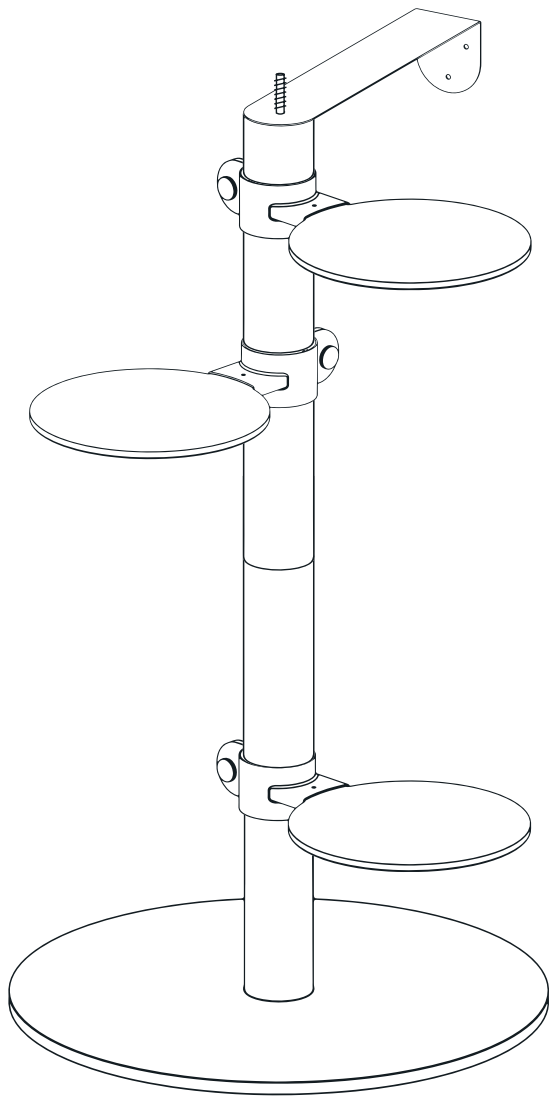
06

Screw the stud in the Rise
and add the Fix



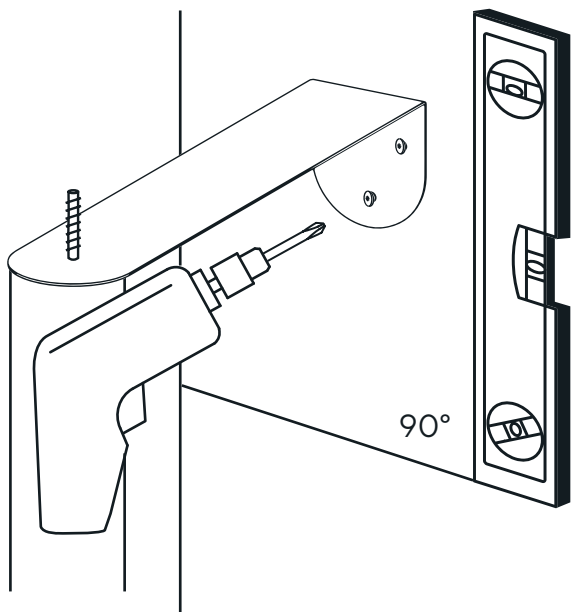
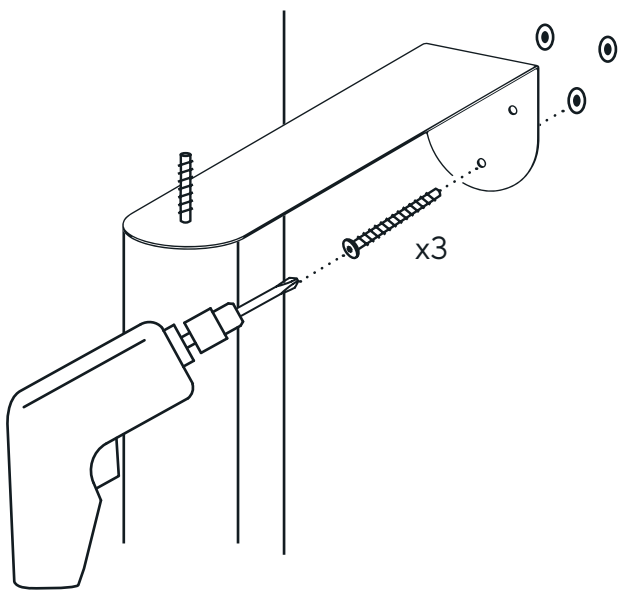
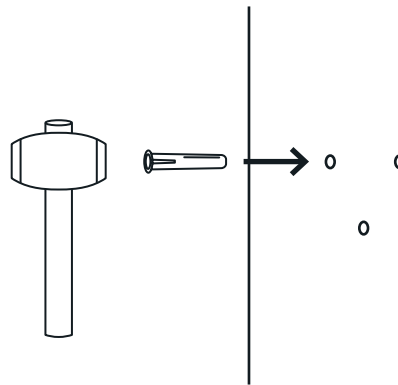
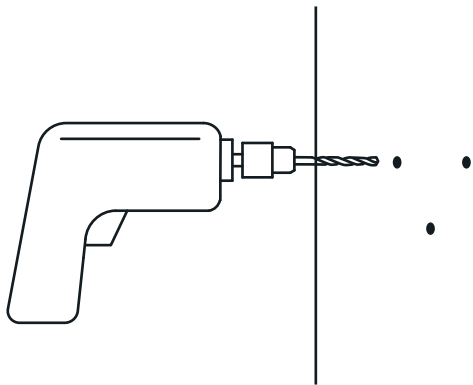
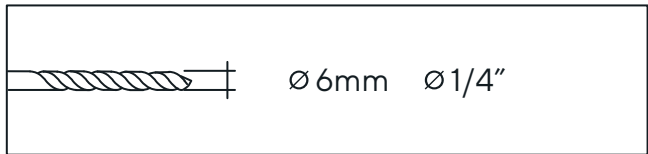
07

Indicate where
to drill



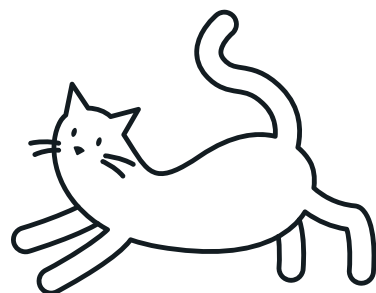
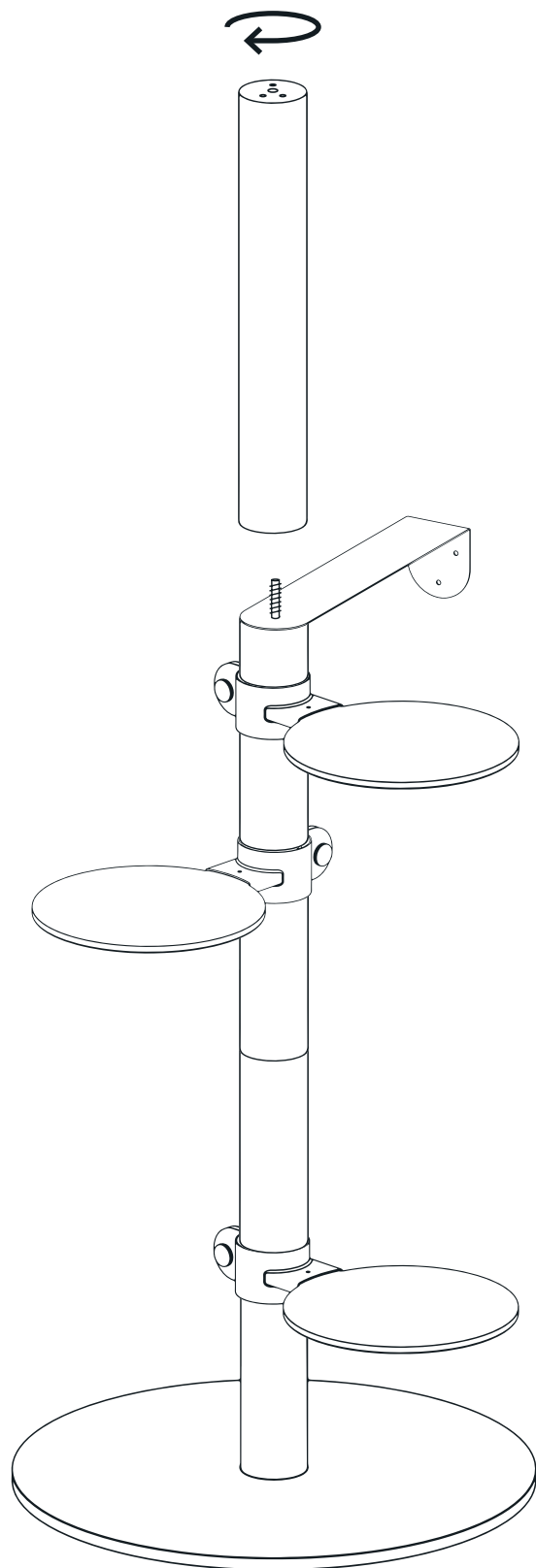
08

Drill the holes and install the Fix



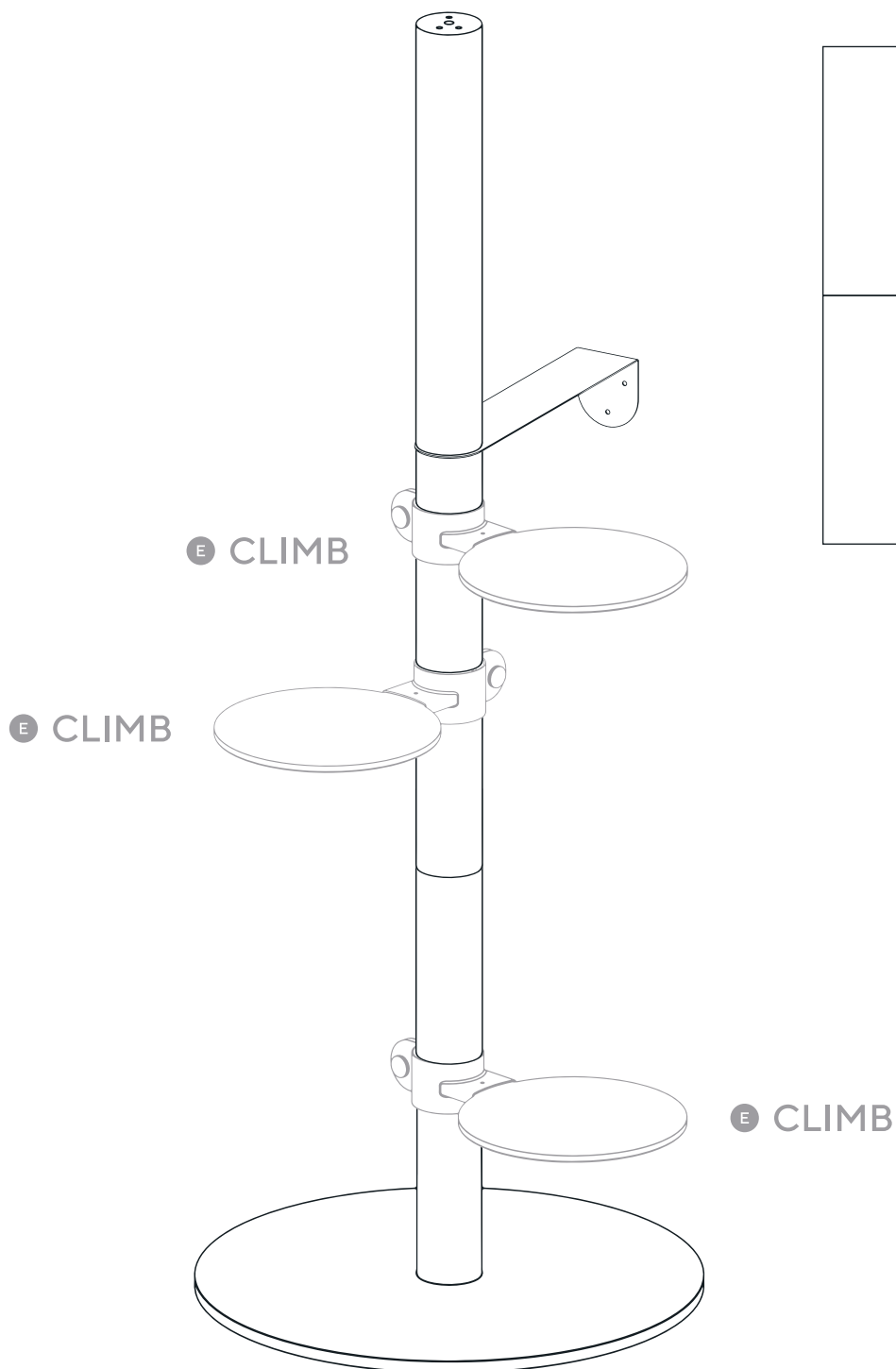
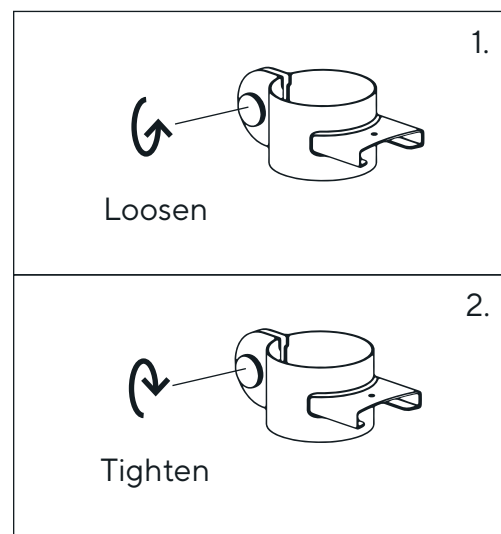
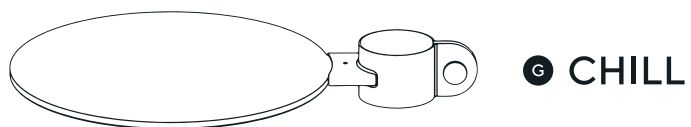
09

Add the third Rise

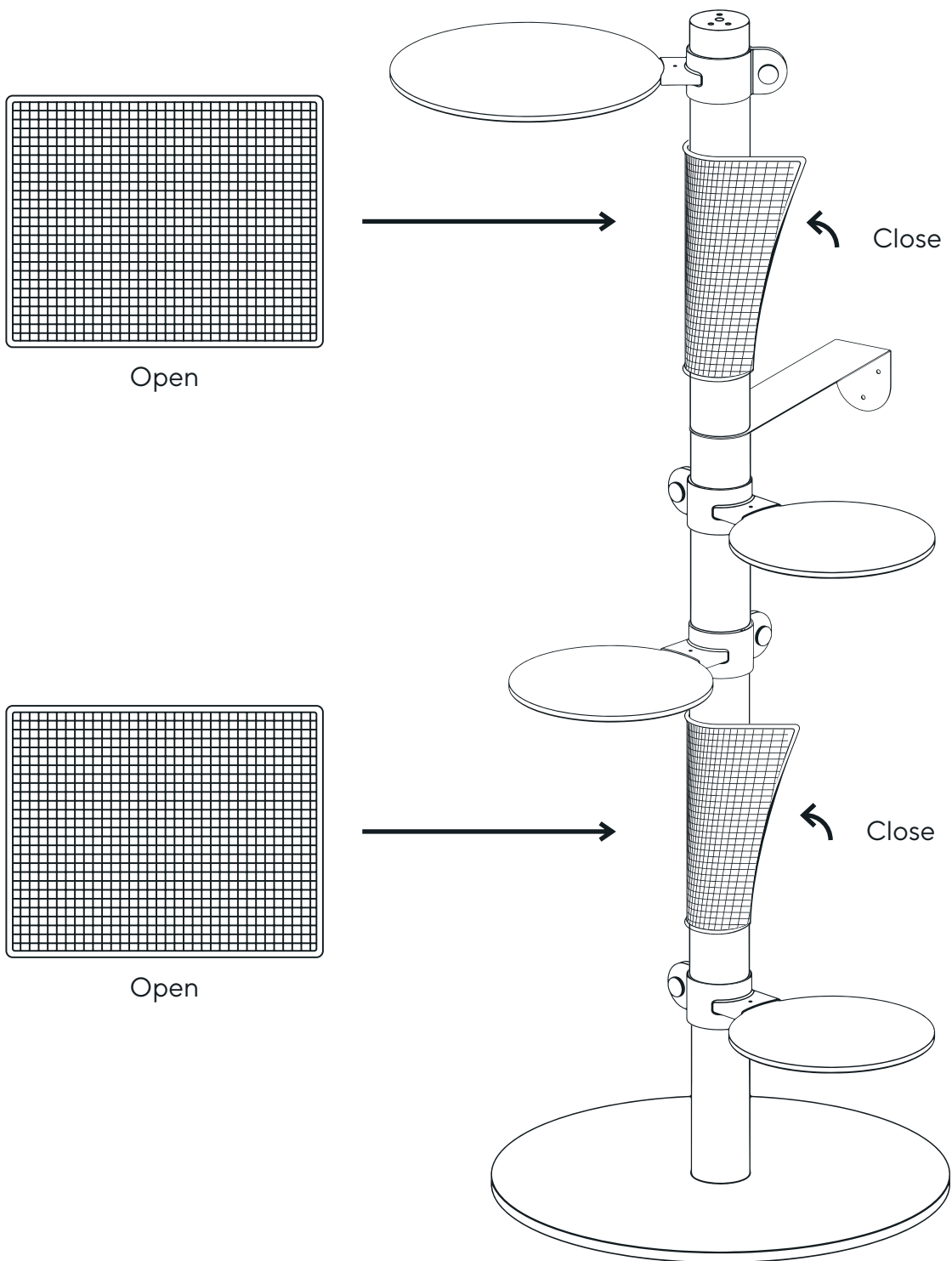


10

Slide the panels over the Rise

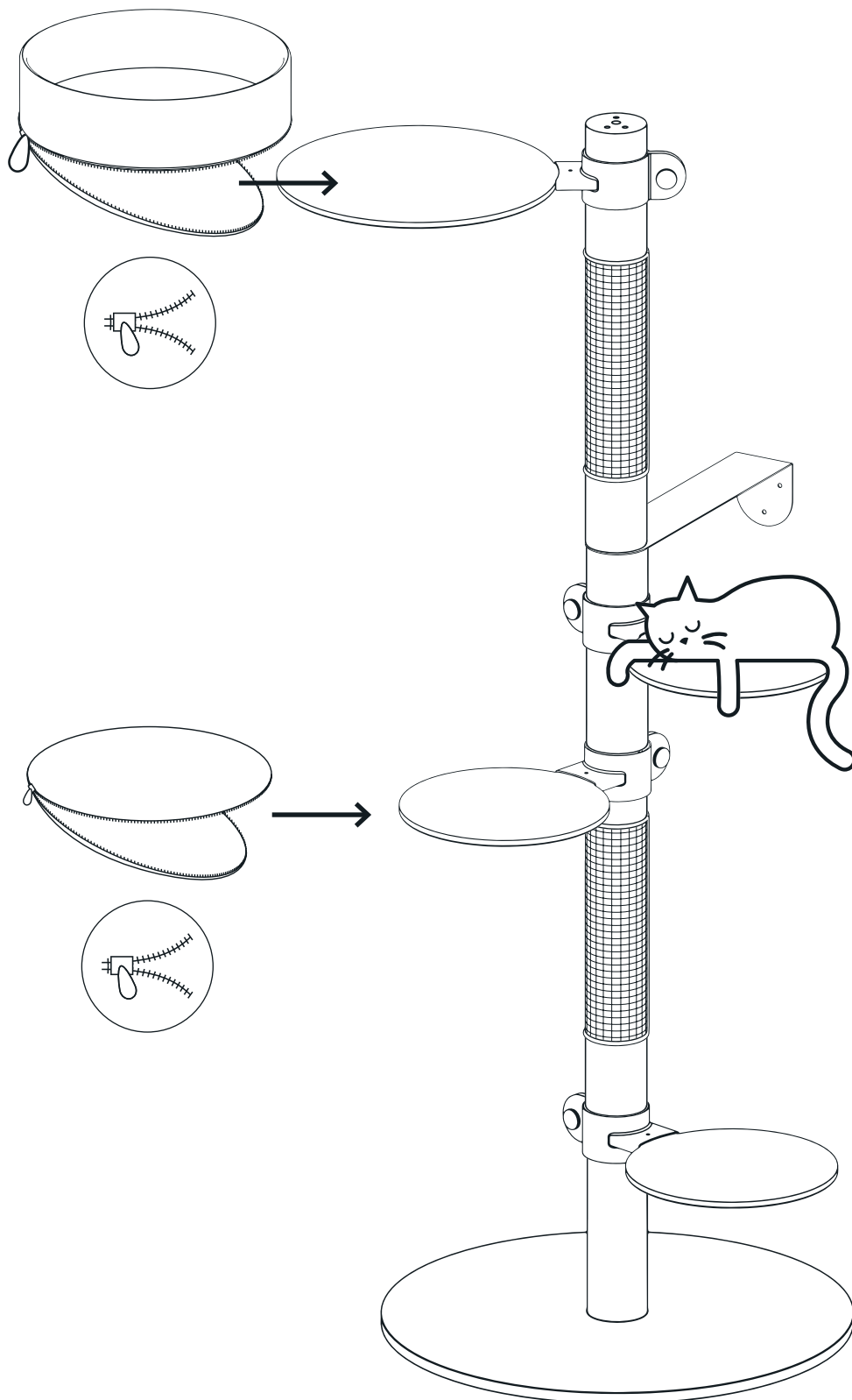


Add Scratch over the Rise



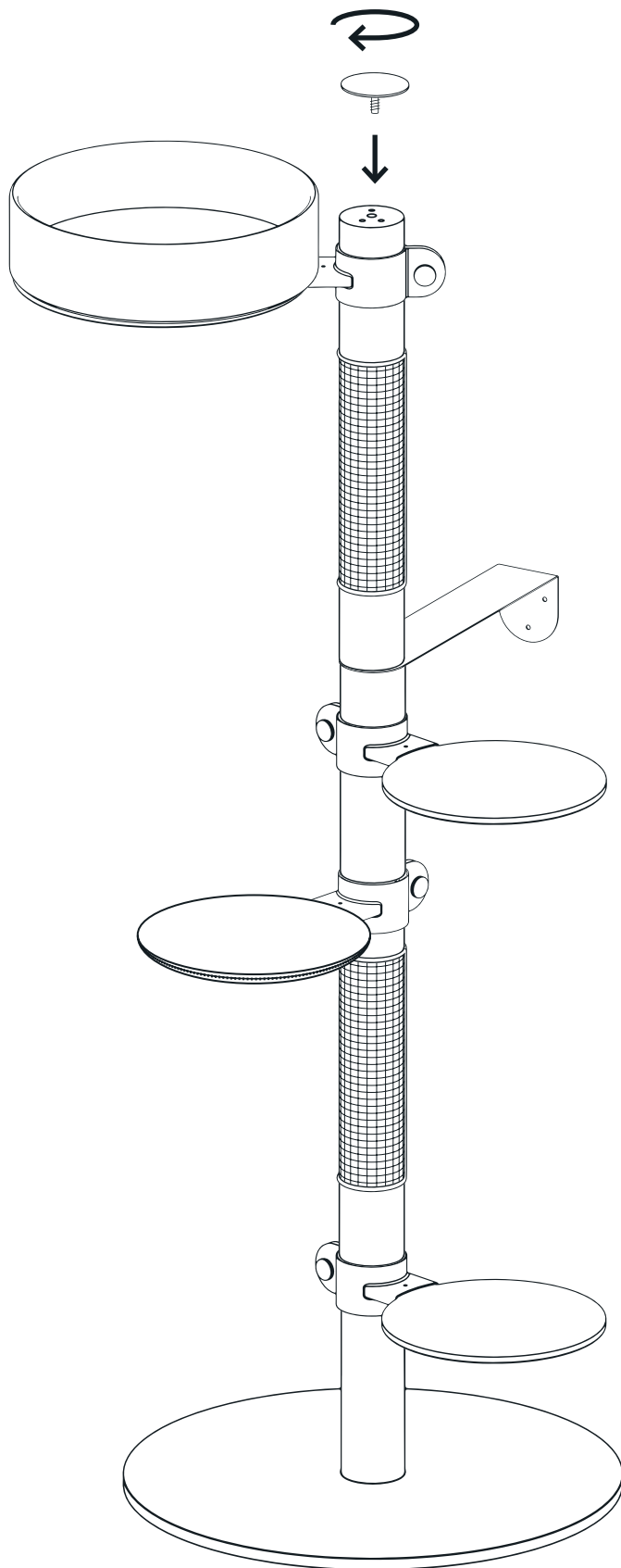
12

Add Climb cover and Chill basket to the platforms



13

Add the top Cap to the Rise



Finished

