

Ambience Heavy Duty Roller Blind

Product Information

Ambience Heavy Duty Roller Blind offers an extremely strong roller blind system, supplied standard with a 60mm diameter tube and high strength spring boosters. For those extra large blinds, an 80mm diameter tube can be used.

Suitable for both commercial and residential use.

Utilising the new generation hardware system, the Ambience Heavy Duty Roller Blind incorporates many advanced features, such as spring assist operation, easy installation and a range of accessories.

Verosol's Ambience Heavy Duty Roller Blind can be easily upgraded from chain to motorised at any time.

Further Information

To find out more information phone Verosol Customer Care on 1800 721 404 or visit www.verosol.com.au



Technical Information

Product Code	R200.3	
Product Name	Ambience Heavy Duty Roller Blind	
Operation	Stainless Steel Chain Operation	
Dimensions	Width	600mm minimum - 3000mm maximum
	Drop	600mm minimum - 3000mm maximum [Drop can be extended on request]
	Spring Assist	1200mm minimum width
Roller Tube	Standard	60mm is standard size for all Heavy Duty Roller Blinds
	Optional	80mm tube diameter is also available
Base Rail	Standard	Heavy Duty Base Rail
	Optional	Flat [11mm x 22mm], Verosol [17mm x 28mm] or Elliptical [11mm x 22mm]
	Colours	Paint: White, Black and Sandstone Anodised: Clear
Control	Mechanism	Direct action, high tensile wound steel spring which operated in such a way that it only applies the precise braking power necessary to keep the blind in the desired position.
	Idler	Bearing idler with fixed high tensile steel shaft
	Colours	White, Black
	Chain	PVC, Nickel Plated Steel or Stainless Steel
Brackets	Material	Press formed steel, pre-treated and powder coated
	Colours	White, Black

Turn over for motorisation and optional extras

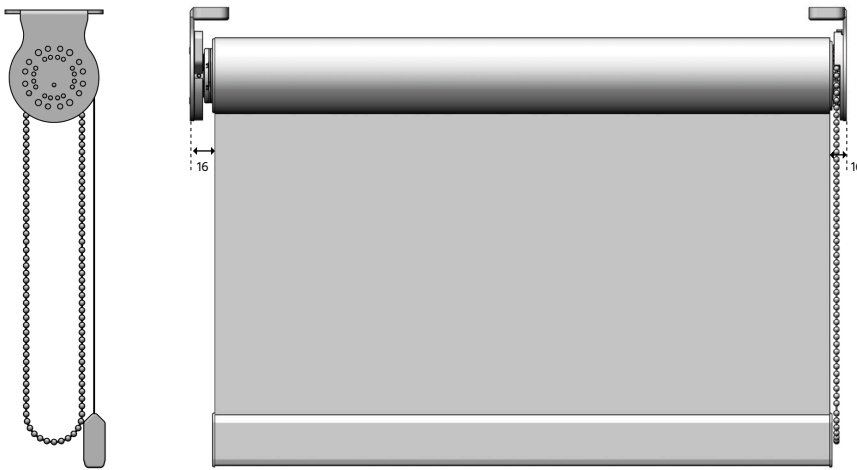
Ambience Heavy Duty Roller Blind

Motorisation

Product Code	R200.7	
Product Name	Ambience Heavy Duty Roller Blind	
Operation	240V AC Motorised	
Dimensions	Width	750mm minimum - 3000mm maximum
	Drop	600mm minimum - 3000mm maximum [Drop can be extended on request]
	Maximum Area	9m ²
Roller Tube	Standard	60mm
	Optional	80mm tube diameter is also available
More Information	Visit www.verosol.com.au or call 1800 721 404	

System Diagrams

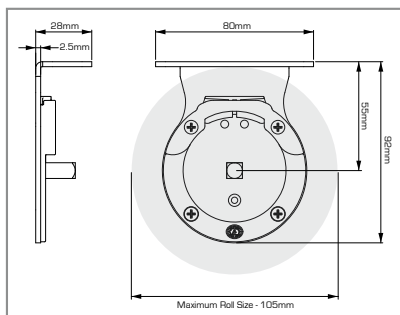
Ambience Heavy Duty Roller Blind System



Heavy Duty Brackets

Available in White and Black only

Chain Drive Bracket



Idle End Bracket

