

Ambience Blackout Roller Blind

Product Information

Ambience Blackout Roller Blind offers a robust system ideal for use where ever total privacy is required, such as home theatres, conference rooms and bedrooms.

The Ambience Blackout Roller Blind is supplied complete with cassette style head box and blackout side channels and is also available in a multi-link system.

Suitable for both commercial and residential use, available as either chain control or motorised operation.

Further Information

To find out more information phone Verosol Customer Care on 1800 721 404 or visit www.verosol.com.au



Technical Information

Product Code	R205.0	
Product Name	Ambience Blackout Roller Blind	
Operation	Stainless Steel Chain Operation	
Dimensions	Width	500mm minimum - 3000mm maximum
	Drop	500mm minimum - 3000mm maximum
	Spring Assist	850mm minimum width
	Maximum Area	6m ² without spring assist / 8m ² with spring assist
Roller Tube	Light	43mm - optimised for fabric weight and width of blind to reduce tube deflection
	Standard	44mm - optimised for fabric weight and width of blind to reduce tube deflection
	Heavy Duty	49mm - optimised for fabric weight and width of blind to reduce tube deflection
Base Rail	Standard	Flat Base Rail [11mm x 22mm]
	Colours	Paint: White, Black and Sandstone Anodised: Clear
Control	Mechanism	Direct action, high tensile stainless steel spring which operated in such a way that it only applies the precise braking power necessary to keep the blind in the desired position.
	Idler	Extendable pin idle-end for easy installation. The idle-end extends up to 10mm in increments of 1mm for improved installation.
	Colours	Paint: White, Black, Sandstone and Silver Grey
	Chain	PVC, Nickel Plated Steel or Stainless Steel
Brackets	Material	Press formed steel, pre-treated and powder coated
	Colours	White, Black, Sandstone and Silver Grey

Turn over for motorisation and optional extras

Ambience Blackout Roller Blind

Motorisation

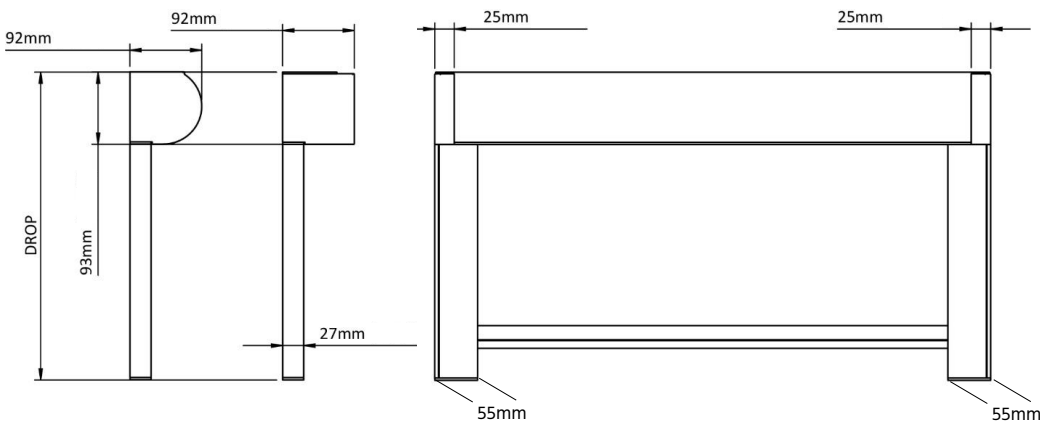
Product Code	R205.6	R205.1
Product Name	Ambience Blackout Roller Blind	Ambience Wirefree Blackout Roller Blind
Operation	240V AC Motorised	15V 12V Wirefree
Dimensions	Width	600mm min - 3000mm max
	Drop	500mm min - 3000mm max
	Maximum Area	9m ²
Roller Tube	Light	43mm - optimised for fabric weight and width of blind to reduce tube deflection
	Standard	44mm - optimised for fabric weight and width of blind to reduce tube deflection
	Heavy Duty	49mm - optimised for fabric weight and width of blind to reduce tube deflection

Side Guides & Headbox

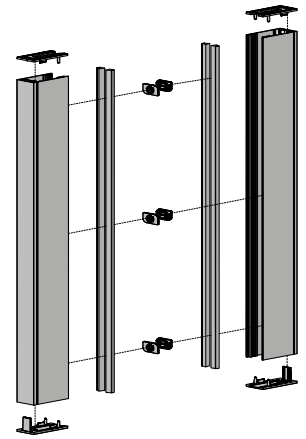
Side Guides	Type	Two-piece guide inclusive mounting frame and snap in guide
	Material	Extruded Aluminium Alloy [T5 Temper]
	Dimensions	25mm D x 55mm W
	Fixing	Side Fix or Face Fix
Headbox	Type	Headbox Round or Square
	Material	Extruded Aluminium Alloy [T5 Temper]
	Dimensions*	92mm x 93mm
	Maximum	4800mm maximum width
	Colours	White, Black, Sandstone and Clear Anodised

System Diagrams

Ambience Blackout Roller Blind



Ambience Blackout Side Guide



Headbox - Round | Square*

