

TM

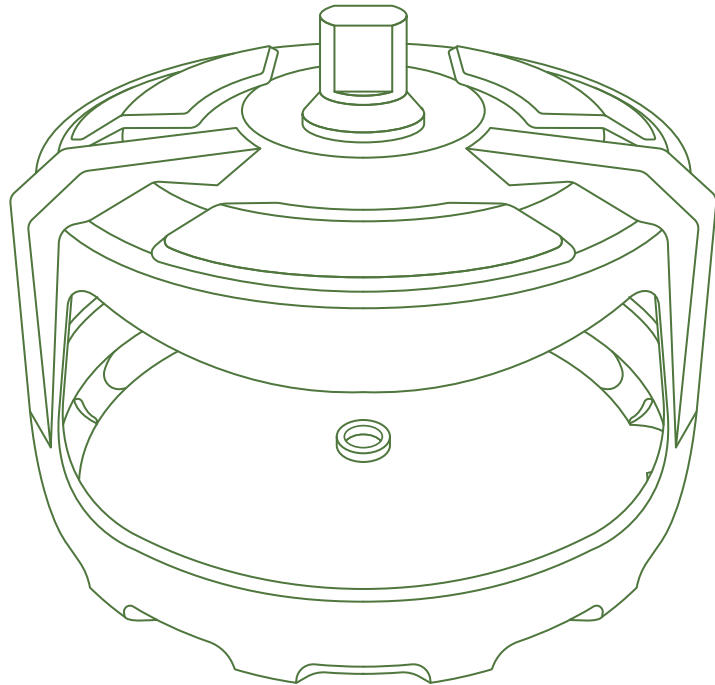
**lomo**  
lomo  
lomo



## TERMINATION STATION

### USER MANUAL

PLEASE READ ALL INSTRUCTIONS  
PRIOR TO USE.



## **GENERAL**

Please read these instructions carefully before using and installing your Termination Station. Store and keep these instructions in a safe place for future reference.

Any changes and modifications done to the unit might make it unsafe to use. It may also cause damage or personal injury to modify the unit. This product is intended for domestic use only.

## **HOW TERMINATION STATION WORKS**

BugMD's Termination Station is an environmentally safe and pesticide-free electric insect trapper that works on fleas, mosquitos, wasps, mites, moths, flies, and other pests attracted to heat. Our unique trap both monitors and controls flea infestations in your home without the need of chemical sprays or harmful toxins. Our traps prey on a flea's need to seek out heat by simulating body warmth. Then, as the heat lures the fleas out of furniture, carpeting, or cracks, they land on an ultra strong sticky trap, and can never escape!

## **WARNINGS**

- Turn off device when not in use.
- Keep away from water and other liquid.
- Do not cover the device while in use.
- Replace the adhesive board once filled.
- Keep away from pets and children.
- This device is for indoor use only.
- Device may only repel certain types of pests and results may vary.
- Additional units may be required in larger areas.
- Keep away from flammables such as paper, cloth, or any other material that may catch fire.

## **INSTALLATION AND OPERATION INSTRUCTIONS**

- Take off the top cover of the device and take out the power cord and bulb.
- Take the end of the power cord with a bulb socket and unscrew the bulb socket fastener.
- Insert the bulb socket into the middle slot of the top cover. Screw the fastener back in to secure the socket into position before putting in the provided bulb.
- Next, remove the safety film of the adhesive disc and add to the device.
- Securely replace the top cover and plug it into a compatible outlet to TURN ON.

- Make sure to position the Termination Station on a flat surface in areas with pest activity.
- Ensure that the lights are not covered for best results.
- Refill the sticky disc when full and continue to control and monitor insects in your household.

## **TERMINATION STATION SPECS**

Power Supply: Plug In

Power Supply Length: 6.2ft

Current Rating: 10A

Voltage: 125V

Bulb Socket: E12

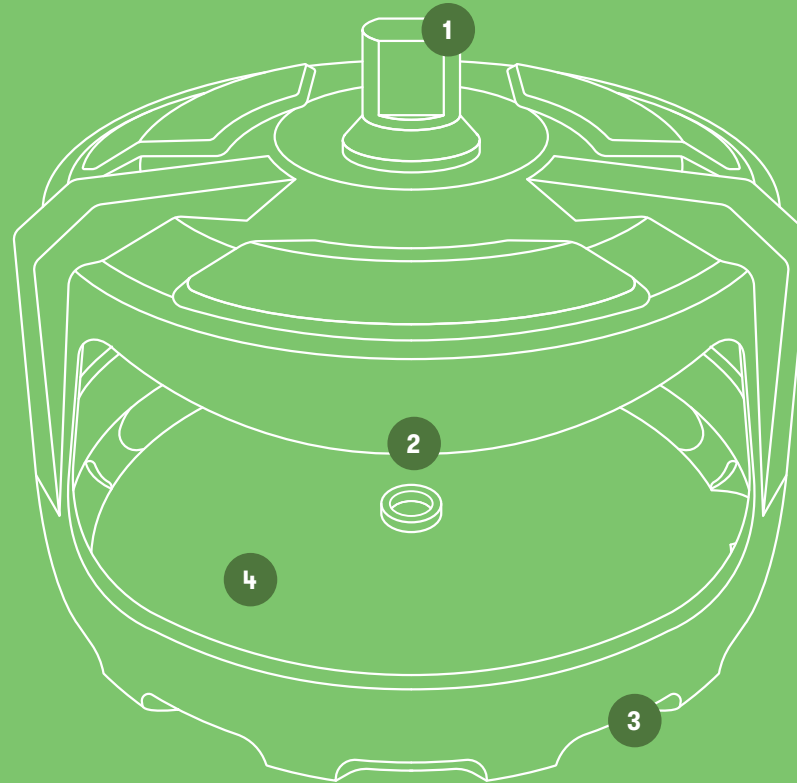
Bulb Type: C7 120V 7W in Transparent Color

Color Temperature: 2200-2300 k

Area Coverage: 500-1000 sq ft

## PARTS

- ① POWER SUPPLY
- ② BULB
- ③ INSECT ENTRANCE
- ④ ADHESIVE DISC



## CONTAINS

- 1x Unit Termination Station
- 1x Power Cord with Bulb Socket
- 1x Bulb
- 2x Disc Traps

EPA EST NO 96830-CHN-1

---



**LEARN MORE AT  
GETBUGMD.COM**