



Roof Skid Plate Installation Instructions

Covers Part #7817, 7817A, 7817G, 7817R, 7817T, 7817X

IMPORTANT NOTE: The internal body support with integrated screw bosses (part #7713X, shown in Fig. A below) is required for installation of the roof skid plate on your X-Maxx body.



CAUTION: RISK OF INJURY!

Use care with hobby knives, tapered reamers, and other cutting tools as they are extremely sharp and can cause severe injury, deep cuts, and/or punctures.

Fig. A

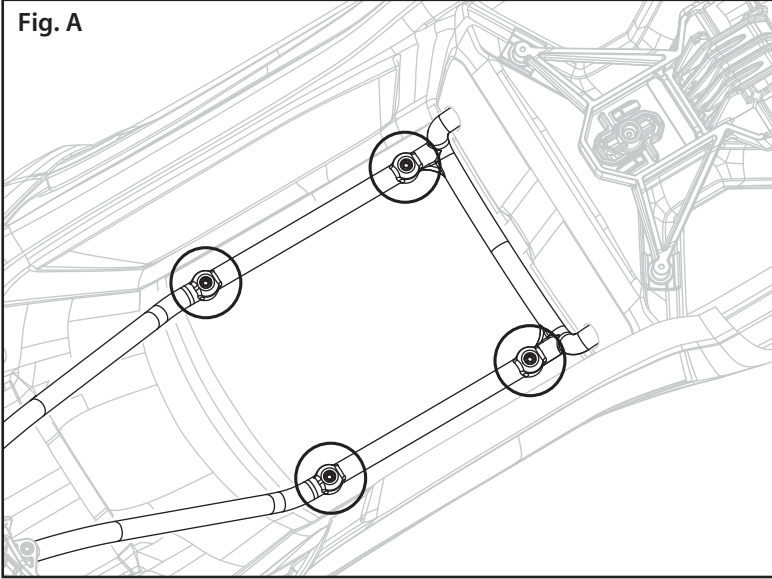
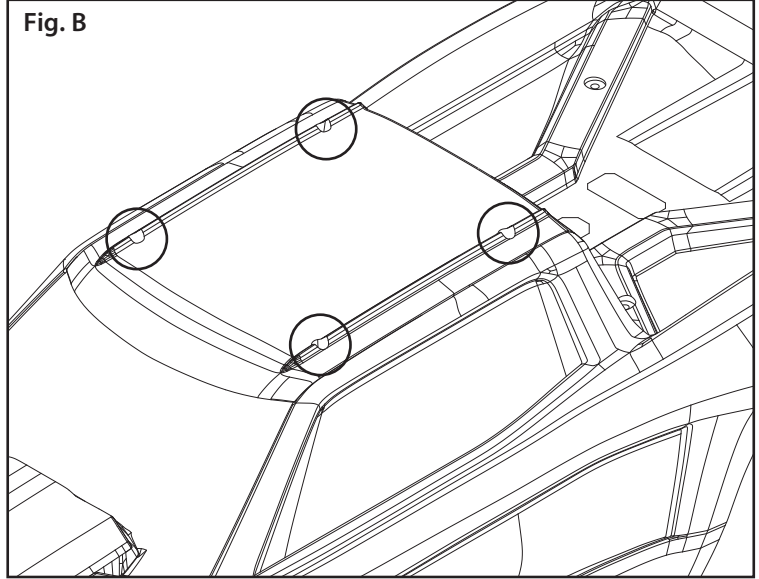


Fig. B



Kit contents:

- Roof skid plate (1)
- 3x15mm cap screws (4)

Tools required:

- Tapered body reamer
- 2.0mm hex wrench

Installation

1. Using the screw bosses on the internal body support as a guide (see the important note and Fig. A above), mark the hole locations in the roof of the truck body.
2. Remove the internal body support.
3. Use a tapered body reamer (part #3433 or #3433X, sold separately) to carefully cut 8mm holes in the truck body for the roof skid plate (Fig. B). **Note the diameter measurement on the body reamer.**
4. Reinstall the internal body support.
5. Install the roof skid plate on the truck body using the included 3x15mm cap screws (4) (Fig. C).

Tapered Body Reamer Diameter Measurements

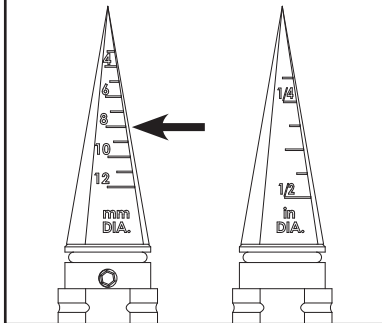


Fig. C

