



TRADE
SUPERSTORE
ONLINE®

coastline®

INSTALLATION GUIDE Issue 5



CONTENTS

1. Components 2 2. Product suitability 5 3. Storage and handling 5 4. Fixing timber battens 6 5. Window reveal trims 7 6. Cut details 8 7. Window head trim 8 8. Starter bar 8 9-10. External and internal corner trims 9 11. Head trim 10 12. End closer 10 13-14. Butt joint options 11 15. End closer details 13 16-19. Cladding board cut and fixing 14 20. Final inspection, general maintenance and repairs 16



BE SAFE WHEN WORKING AT HEIGHT

Ensure you conform to the latest Work at Height Regulations. For more details, visit:

www.hse.gov.uk/work-at-height

If in doubt at any stage

Please contact our Coastline Technical Support for additional support or advice.



0333 777 3047

INSTALLATION GUIDE

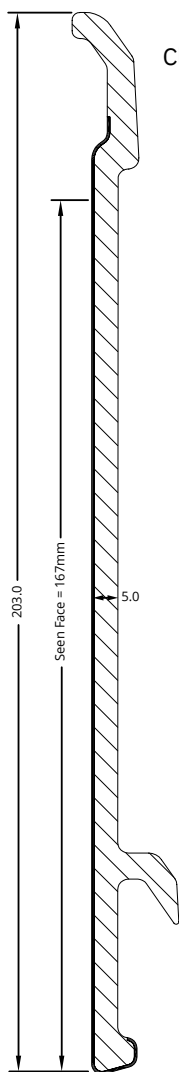
PRE-INSTALLATION CHECK

▶ Coastline Cladding is designed for use on masonry buildings with a maximum height of 18m and at least 1 metre from boundaries.

Failure to install Coastline in accordance to these instructions will invalidate the Product Guarantee.

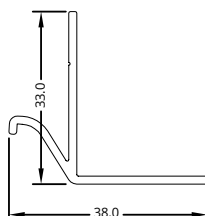


1. COMPONENTS

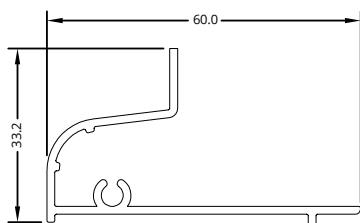
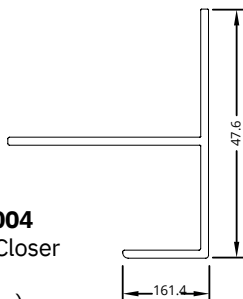


CL200
Cladding Board
(All Colours)

CL001
Starter Bar
(Black only)



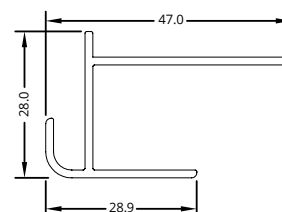
CL004
End Closer
(All Colours)



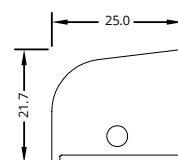
CL003
Window Head Trim
(All Colours)



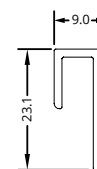
CL002
Head Trim
(Black only)



CL008
Window Reveal Corner
(All Colours)

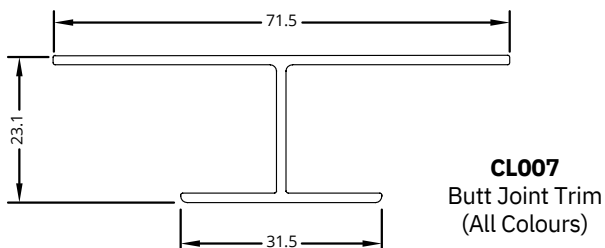
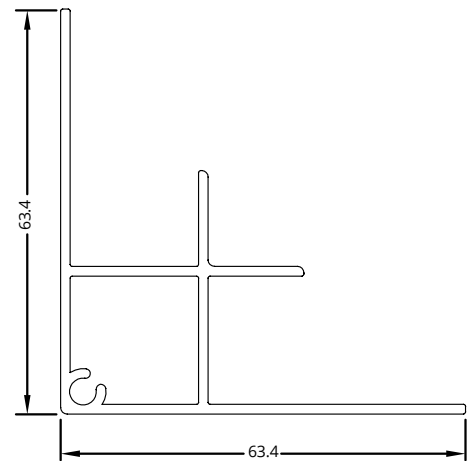
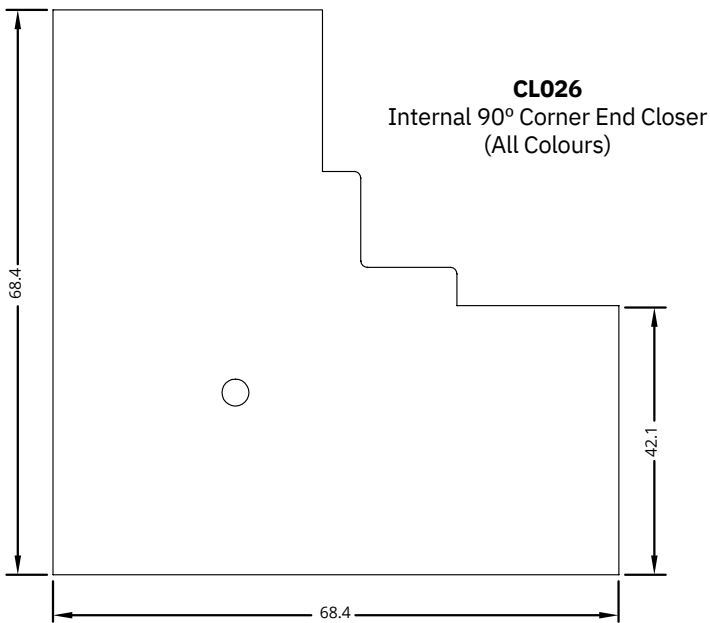
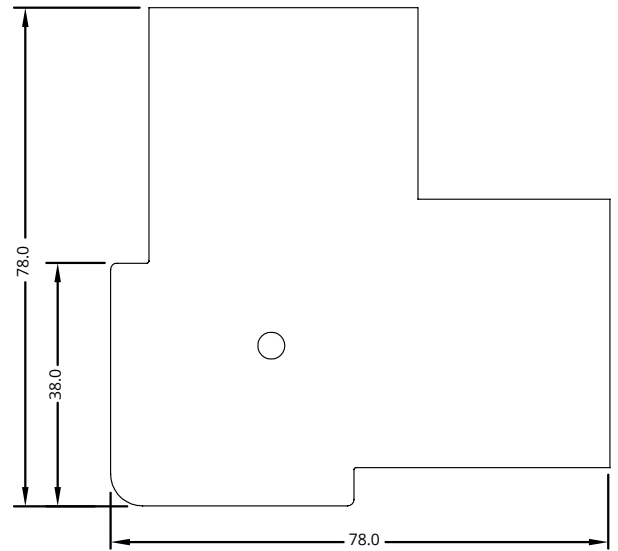
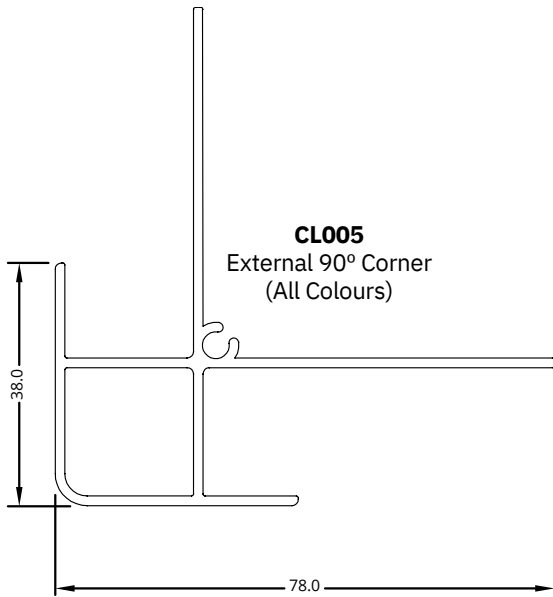


CL023
Window Head Trim
End Closer
(All Colours)



CL009
Window Reveal Trim
(All Colours)

The Coastline Cladding Board, and Profiles are 5 metres long.
(Excluding these End Closers; CL023, CL025, and CL026).



The Coastline Cladding Board, and Profiles are 5 metres long.
(Excluding these End Closers; CL023, CL025, and CL026).

COASTLINE CLADDING BOARD COVERAGE

Each Coastline Cladding Board has a seen face of 167mm height. Each 5m board will give approximately 0.84m² (167mm x 5000mm) so each pack of 4 = 3.334m² coverage approximately.

These dimensions serve as a guide and will differ due to the amount of apertures within the wall construction.

COASTLINE CLADDING ANCILLARIES

Available from 200 branches nationwide. For your local branch, visit .co.uk/branch-finder.

Silicone		
CODE	COLOUR	RAL CODE
SILIRUBCOLOROW	OYSTER WHITE	RAL1013
SILIRUBCOLORBG	BEIGE GREY	RAL 7006
SILIRUBCOLORPG	PEBBLE GREY	RAL 7032
SILIRUBCOLORPB	PIGEON BLUE	RAL 5014
SILIRUBCOLORGY3	WINDOW GREY	RAL 7040
SILI2ANGY	ANTHRACITE GREY	RAL 7016

Touch Up Pens	
CODE	COLOUR
EWS701GR7016	ANTHRACITE GREY
EWS701GR7155	MOONDUST GREY
EWS701PB	PIGEON BLUE
EWS701OW	OYSTER WHITE
EWS701SG	SOFT GREEN
EWS701TP	TAUPE

Fixing Nails		
CODE	DESCRIPTION	SIZE
CL090	COASTLINE FIXING NAILS (A4 316 STAINLESS STEEL)	3mm x 25mm x 7.5mm

COASTLINE CLADDING

Cladding		
CODE	COLOUR	RAL CODE
CL200GY1	ANTHRACITE GREY GY1	RAL 7016
CL200TP	TAUPE TP	RAL 7006
CL200PB	PIGEON BLUE PB	RAL 5014
CL200SG	SOFT GREEN SG	RAL 7032
CL200GY3	MOONDUST GREY GY3	RAL 7040
CL200OW	OYSTER OW	RAL 1013

2. PRODUCT SUITABILITY

Coastline Cladding is designed for use on **masonry buildings with a maximum height of 18m and must be installed at least 1 metre from boundaries**. It should not be fitted to higher buildings, timber buildings or steel construction dwellings, all product guarantees will be invalidated should this occur. Coastline Cladding can be fitted to garden buildings which are not habitable dwellings for living 24/7.

Coastline Cladding has been fire tested to EN 13823 & EN 11925 to obtain classification to BS EN 13501-1. It has achieved a European Classification of D-S3,d2.

Coastline Cladding is suitable for use in a Northern European Climate only.

Note: Installation in areas outside of Northern European Climates will invalidate the Product Guarantee.

Coastline Composite Cladding needs to be fitted as outlined within this installation guide. Non adherence to these instructions, and good fitting practices will invalidate the product guarantee. Correct use of all Coastline components, and sundries is also required, use of modified or non specified components will invalidate the Product Guarantee.

BUILDING REGULATIONS

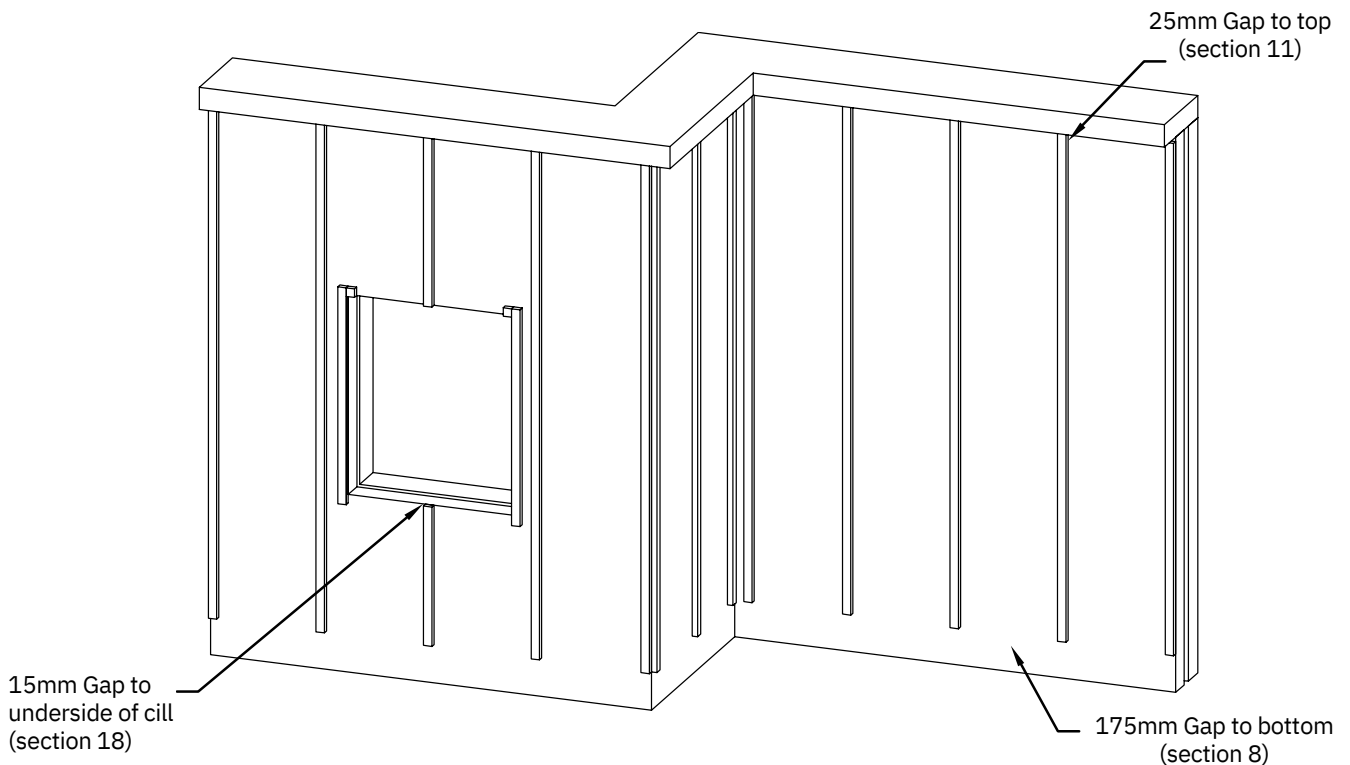
The four geographic regions to which the Building Regulations apply, namely England, Wales, Scotland and Northern Ireland, each have their own provision for achieving an acceptable standard of fire protection. Building Regulations in the UK apply to most new buildings

and many refurbishments of existing structures and compliance to all aspects, including fire regulations, is a legal requirement. **Combustible systems less than 18m in height and greater than 1 metre from a boundary require no special fire provisions.**

3. STORAGE AND HANDLING

- ▶ Coastline Cladding Boards and aluminum trims must be stored under cover, ideally indoors and away from direct sunlight
- ▶ Profiles should be stocked and transported horizontally
- ▶ Ensure profiles are secured during transportation to avoid scratching
- ▶ Coastline Cladding Boards should be lifted from the stack rather than dragged as this can result in damage to the surface finish
- ▶ When carrying the Cladding Boards, hold the edges vertically to avoid bending the board
- ▶ Do not drag the aluminum sections from the stillage as this could scratch the powder coat finish

4. FIXING TIMBER BATTENS



Position and fix the timber battens (38mm x 25mm) to the wall using stainless steel screws. Battens to run vertically starting at a minimum of 175mm from the bottom of the brickwork. Batten centres to be spaced at a maximum 500mm apart. The battens must finish 25mm short of the underside of a soffit and 15mm short of the underside of a window cill. (Refer to sections 8, 11 & 18 for more details).

2 Timber battens are required side by side where a Butt Joint (Option 1 CL007) is located, this is to allow the Butt Joint to be fixed to the timbers correctly. For Butt Joint Option 2 use single batten. (Refer to sections 13 & 14).

On the head of a window a small piece of timber batten may be required to fix the head trim to, this is dependent on how many battens run above the window. The Window Head Trim must be fixed no more than 100mm from each end.

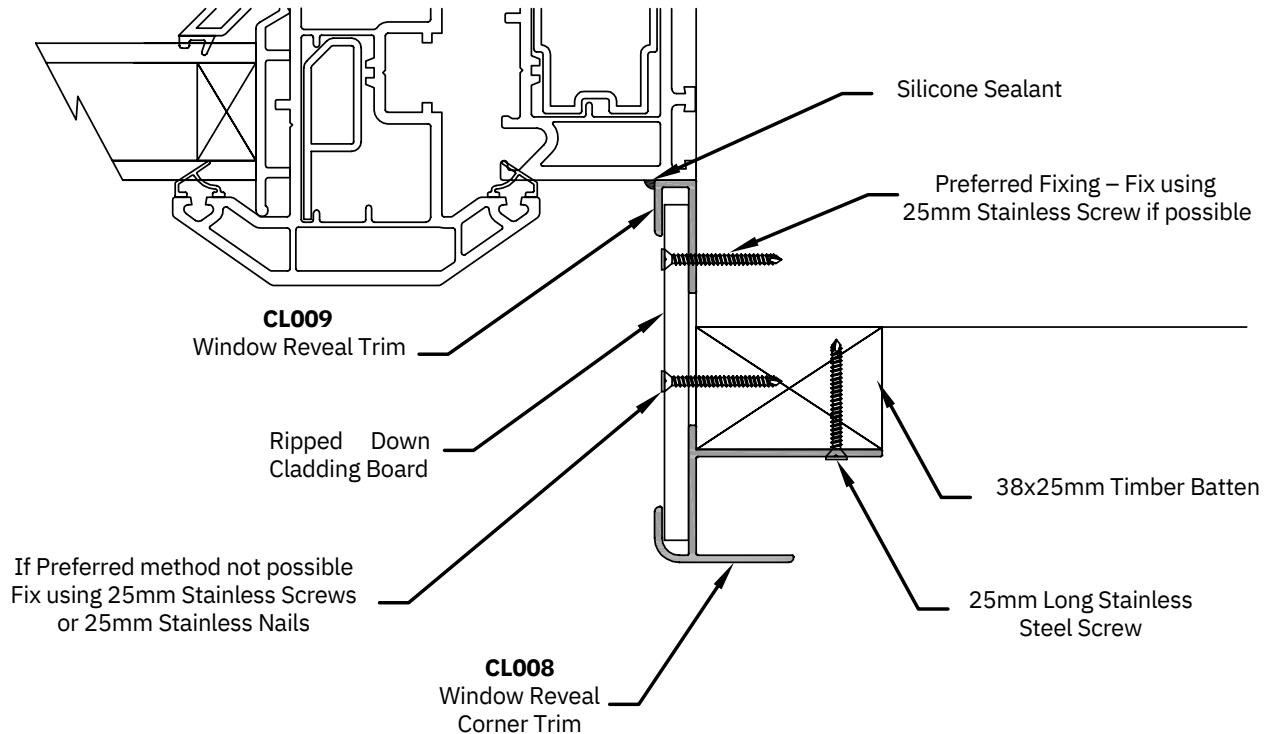
PRE-INSTALLATION CHECK

▶ **Coastline Cladding is designed for use on masonry buildings with a maximum height of 18m and at least 1 metre from boundaries.**

Failure to install Coastline in accordance to these instructions will invalidate the Product Guarantee.



5. WINDOW REVEAL TRIMS



The Window Reveal Trims (CL008 & CL009) and Window Head Trims (CL003) need to be fitted before installation of the Cladding Board begins. This is to allow the trims to be fixed correctly.

Cut down a Cladding Board (CL200) to fit the window reveals, leaving a 5mm flat board section to fit within the trims.

Fix the Window Reveal Trim (CL009) first with the board in position, then position the Window Reveal Corner (CL008) and fix into the timber batten.

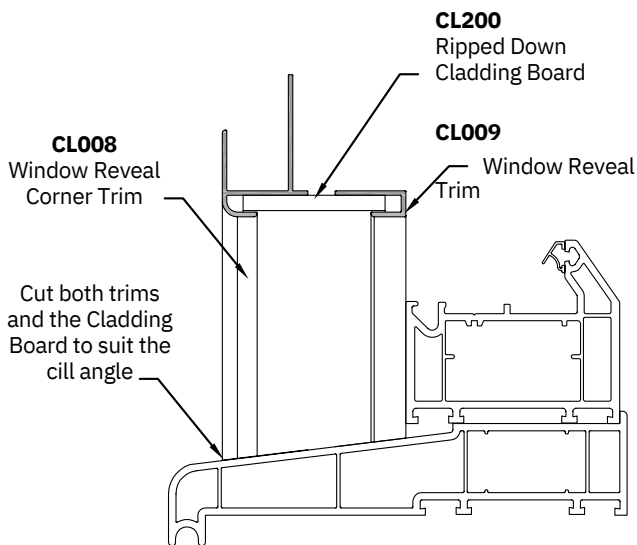
PRE-INSTALLATION CHECK

▶ **Coastline Cladding is designed for use on masonry buildings with a maximum height of 18m and at least 1 metre from boundaries.**

Failure to install Coastline in accordance to these instructions will invalidate the Product Guarantee.

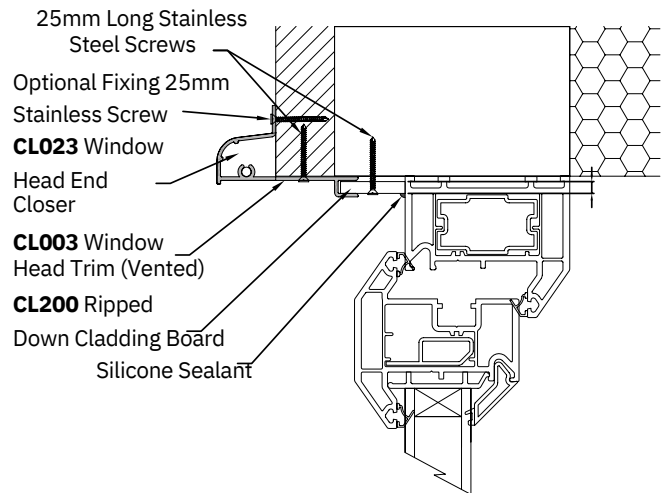


6. CUT DETAILS



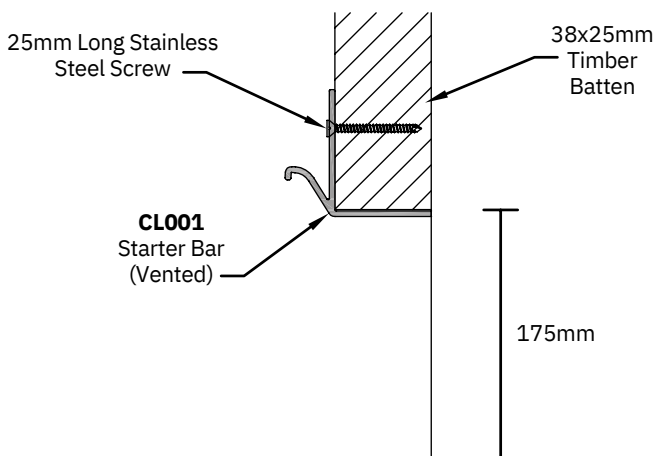
The Window Reveal Trims (CL008 & CL009) and the Cladding Board (CL200) will need cutting to suit the angle of the cill, this angle is dependent of the window which has been fitted and will vary from window to window.

7. WINDOW HEAD TRIM



Cut down a section of Cladding Board to the required size. Position the board into the Window Head Trim (CL003) and fix head trim up into the timber battens using 25mm stainless screws. Once in position fix the board up into the brickwork and seal the end with a silicone sealant.

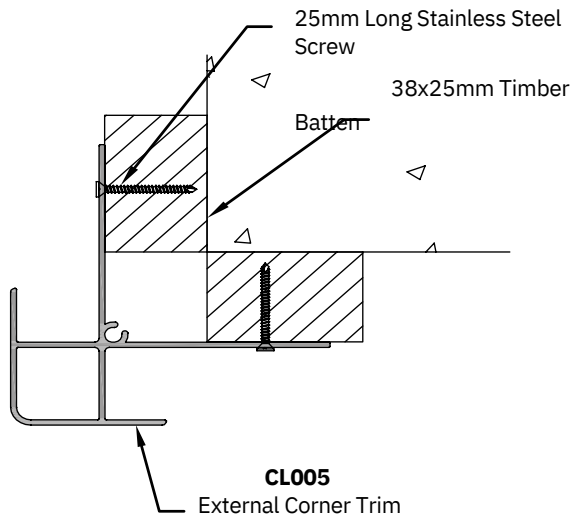
8. STARTER BAR



Once the window reveals have been completed fit the Starter Bar (CL001) to the bottom of the timbers, fix back to each batten as shown using 25mm stainless screws.

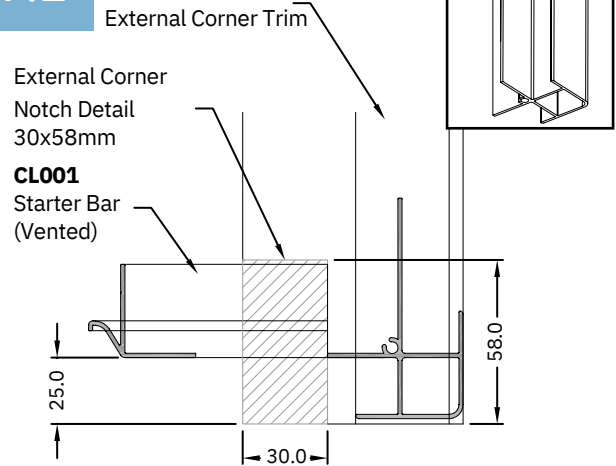
Note: All trims require fitting before the Cladding Board can be fitted to allow correct fixing of the trims.

9. EXTERNAL CORNER TRIMS



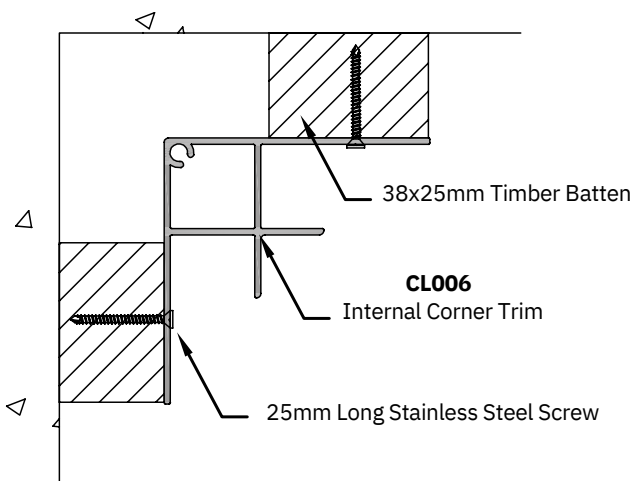
Fit corner trims to all Internal (CL006) and External Corners (CL005) as shown fixing with 25mm stainless steel screws at 300mm centres. The Corner Trims must pass beyond the bottom of the first Cladding Board when fitted, the Corner Trims should run 25mm past the bottom of the Starter Bar (CL001).

9.1 CL005



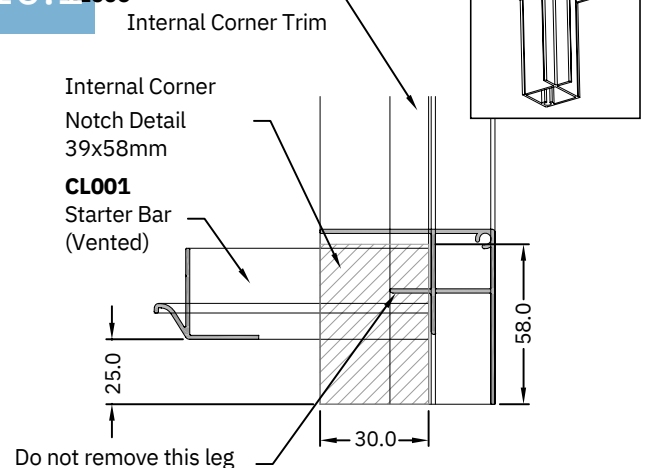
Notching Details:- To allow the Starter Bar (CL001) to run full length, notching is required on External Corner Trims (CL005). Cut away the section shown below.

10. INTERNAL CORNER TRIM



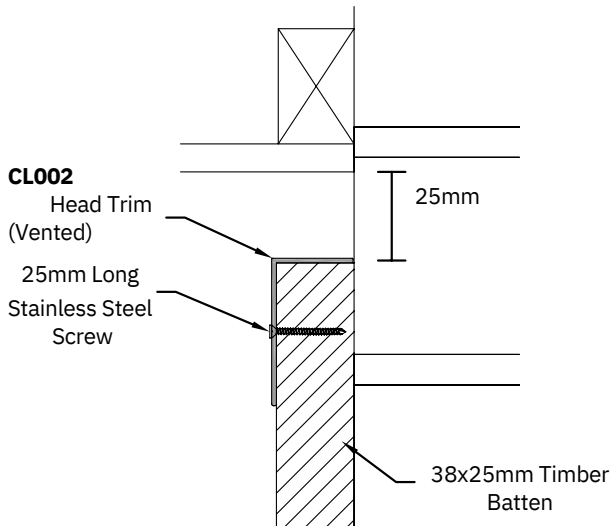
Fit corner trims to all Internal (CL006) and External Corners (CL005) as shown fixing with 25mm stainless steel screws at 300mm centres. The Corner Trims must pass beyond the bottom of the first Cladding Board when fitted, the Corner Trims should run 25mm past the bottom of the Starter Bar (CL001).

10.1 CL006



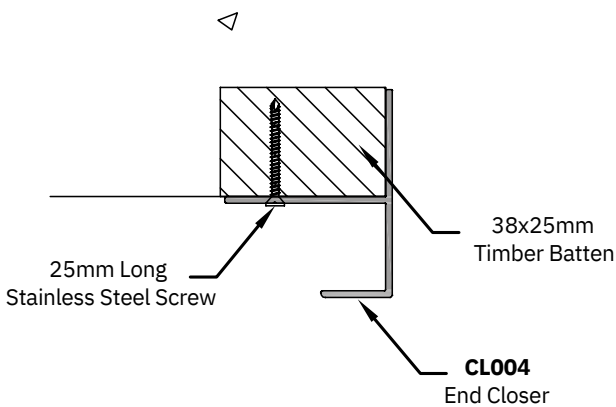
Notching Details:- To allow the Starter Bar (CL001) to run full length, notching is required on the Internal (CL006) Corner Trims. Cut away the section shown below.

11. HEAD TRIM

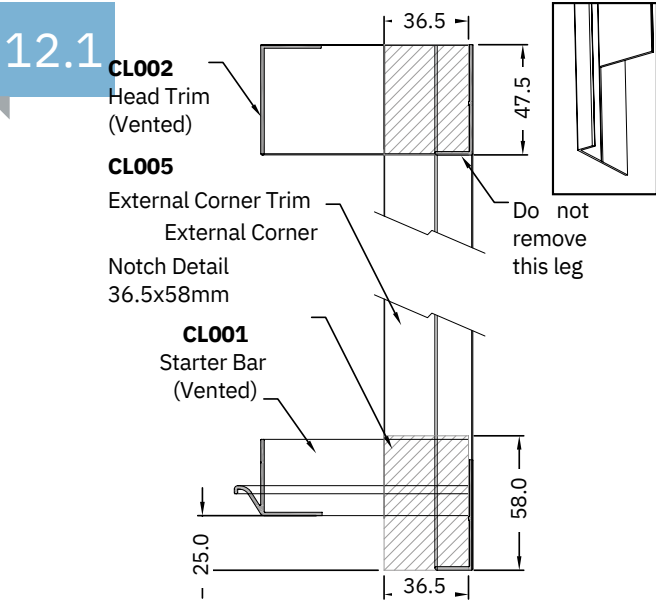


Fix Head Trim (CL002) to the top of the timber battens using 25mm stainless steel screws, fixing at each vertical timber batten.

12. END CLOSER

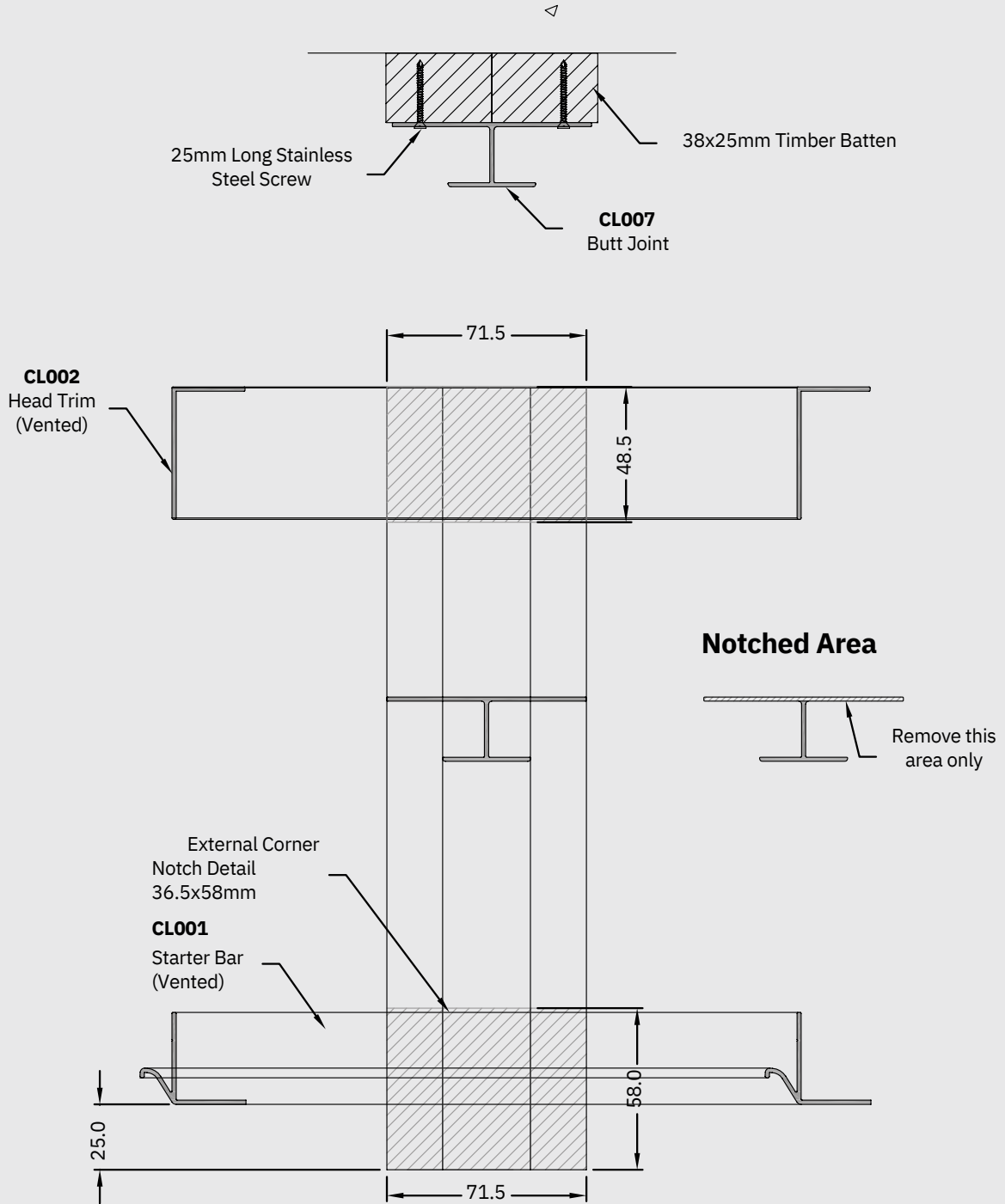


Locate the End Closer (CL004) onto the timber batten, fix using 25mm stainless steel screws. The End Closer (CL004) must be long enough to pass beyond the bottom of the first Cladding Board when fitted, the End Closer (CL004) should run 25mm past the bottom of the Starter Bar (CL001).



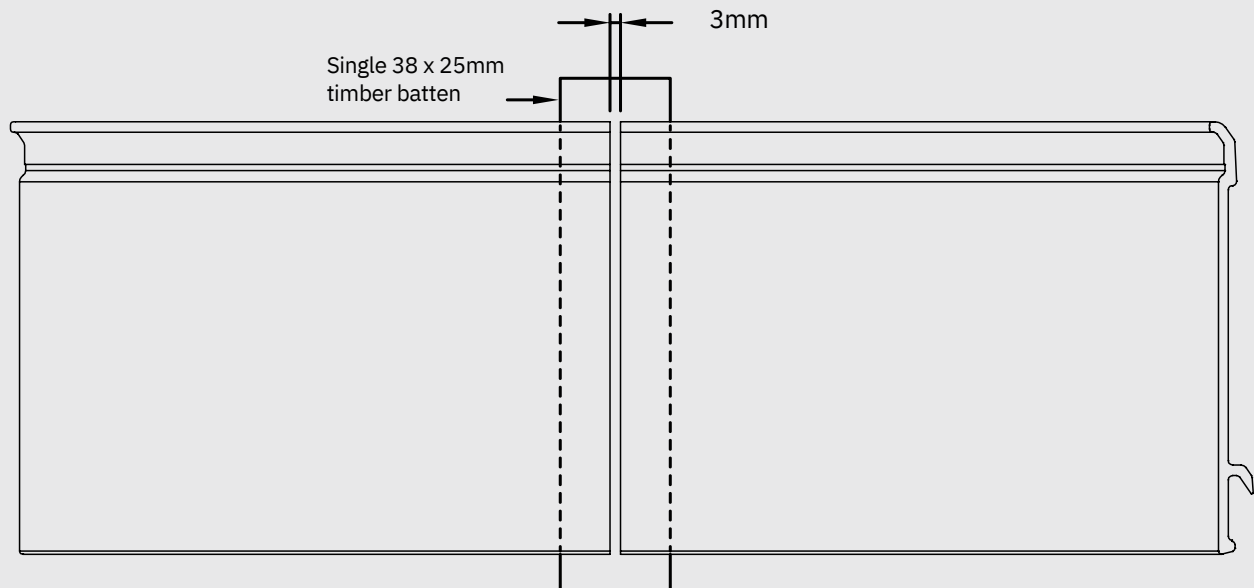
End Closer Notching Details:- To allow the Starter Bar (CL001) and Head Trim (CL002) to run full length, notching is required on the End Closer (CL004)

13. BUTT JOINT OPTION 1 (with Aluminium Trim)

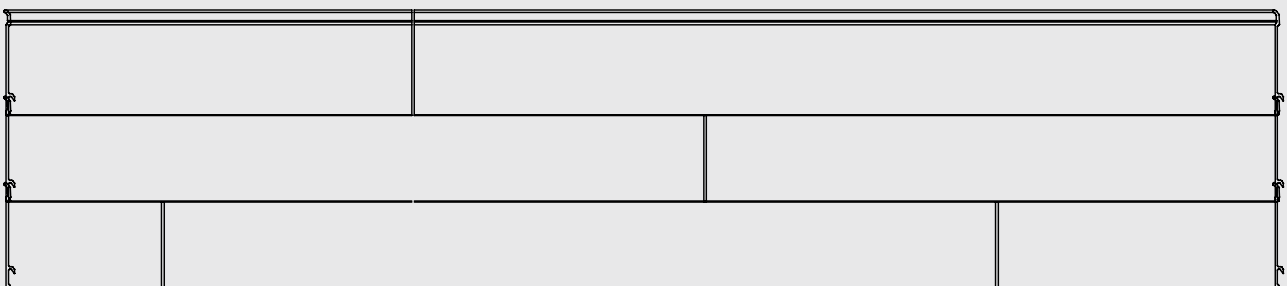


Where a butt joint is required, 2 vertical timbers are required to allow the butt joint to be fixed. Using stainless steel screws fix at 300mm centres. For the Butt Joint (CL007) to run full length the back section of the Trim must be notched out where the Starter Bar (CL001) and Head Trim (CL002) run through.

14. BUTT JOINT OPTION 2 (without Aluminium Trim)

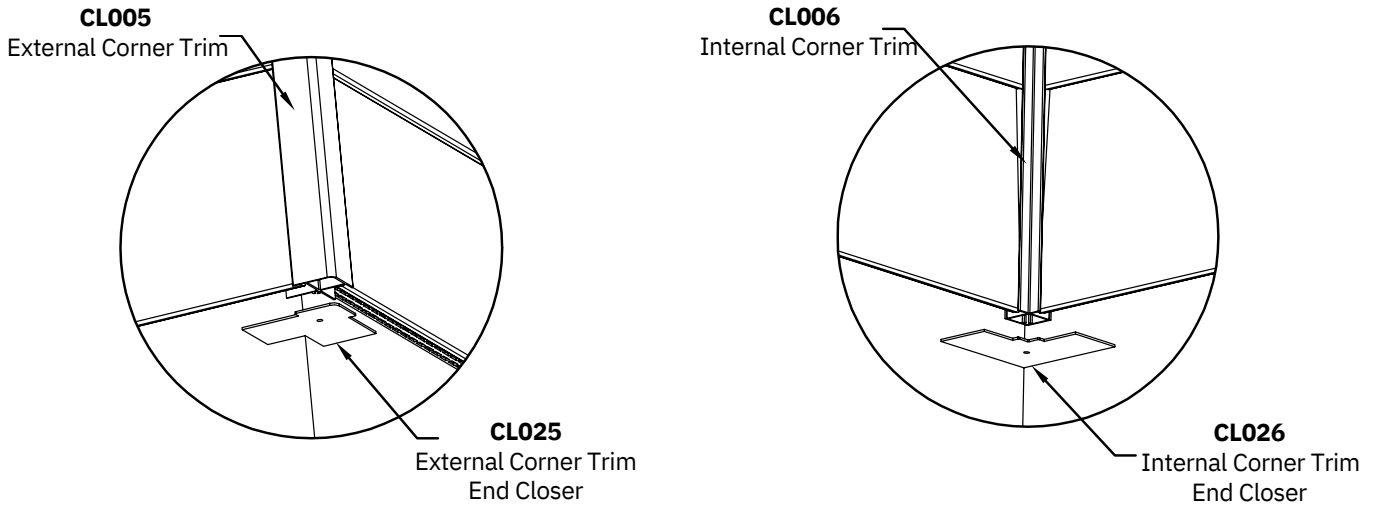


An alternative method of jointing the Cladding Boards is to butt the boards together leaving an expansion gap of 3mm between the adjoining boards. With this option a single timber batten at the join location should be used. Apply 'lead alternative flashing' to the timber behind the joint to protect the timber from any water that penetrates the expansion gap. Care should be taken when fixing the board to the single timber batten so as not to split the board by excessive use of force.

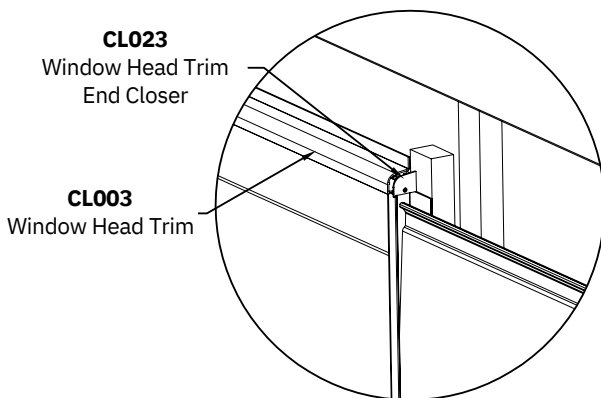


Stagger the joints on each cladding level to give a more aesthetically pleasing finished look.

15. END CLOSER DETAILS

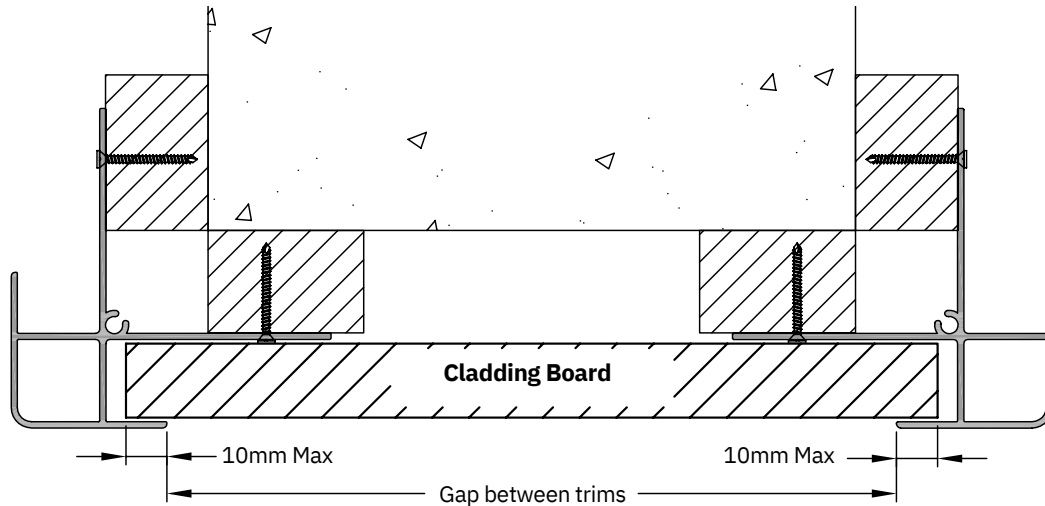


Where Internal and External Corner Trims (CL005 & CL006) are used, screwported End Closers (CL025 & CL026) are available. These are to be fitted by offering up to the end of the corner trim and screwing into the screw port in the aluminum extrusion.



Window Head Trims (CL003) require to be capped off to create a neater finish, Window Head Trim End Closers (CL023) are available. Fix the End Closer to the Window Head Trim by screwing through the End Closer into the screw port in the aluminum extrusion.

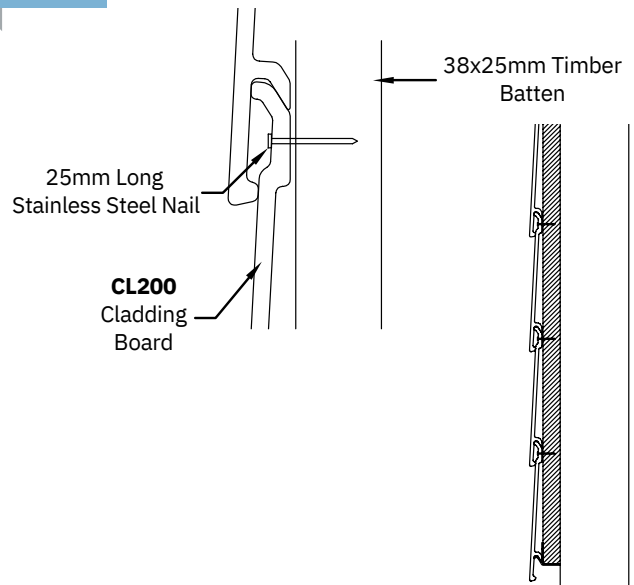
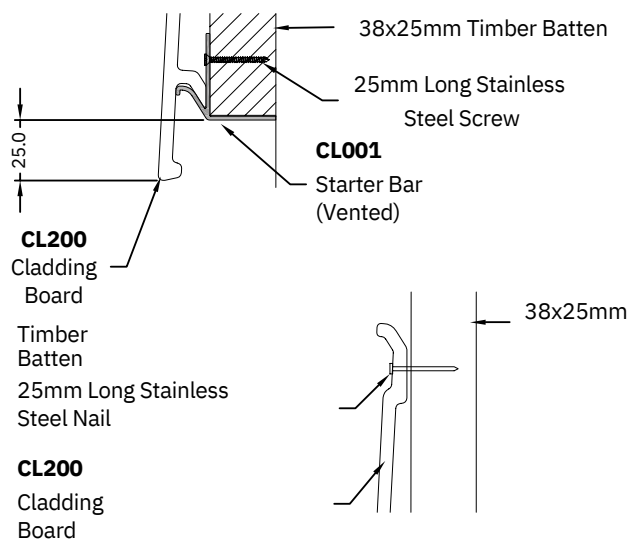
16. CLADDING BOARD CUT LENGTH



The Cladding Board cut length should be a maximum of 20mm longer (10mm per side) than the gap between the aluminium trims. Shorter board lengths may require the 10mm per side to be reduced to ease fitting and enable the board to shuffle into position rather than bend.

17. CLADDING BOARD FIXING METHOD

17.1



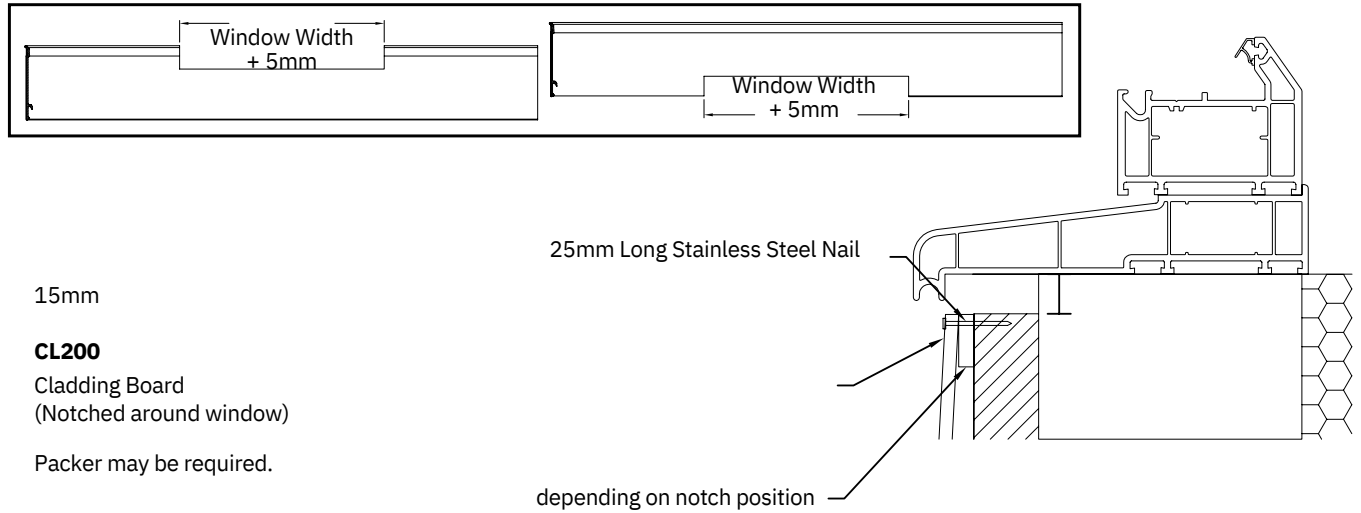
To begin the installation of the coastline Cladding Boards, locate the first board onto the Starter Bar (CL001), fixing at the top using 25mm stainless steel nails fixing back to each timber batten (max 500mm centres).

Once secure stack the next Cladding Board by hooking over the top lip which hides the fixings, as before fix back to the timbers through the top section of the Cladding Board. Continue this method until the cladding is complete.

18. CLADDING BOARD FIXING METHOD (Around Windows)

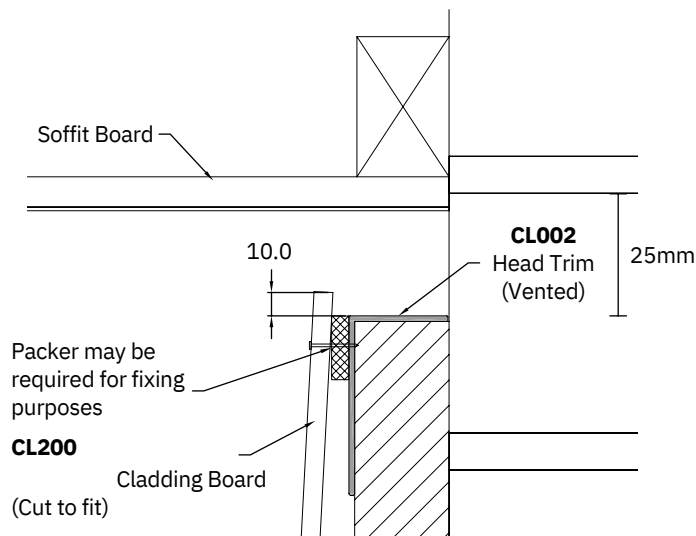
UNDER WINDOW

OVER WINDOW



If cladding runs around a window, boards may need notching around the window at both the top and bottom. The size of the notch is dependent on the window size and where the stacked boards locate. Overleaf is an example of possible notching details for both over and under the window. A packer may be required behind the notched board to aid fixing.

19. CLADDING BOARD FIXING METHOD



When fixing the final Cladding Boards at the top, run the board 10mm beyond the top of the timber. Depending upon how the board has been cut down to fit, a packer may be required to support the board when fixing.

20. FINAL INSPECTION - THINGS TO LOOK FOR

Check that appropriate trims have been used in the correct location. Check that adequate expansion and contraction tolerances have been observed. (4/5mm at each board end). Ensure fixing centres are correct. Check for the air space behind the cladding. No obstructions should exist directly behind the cladding system e.g. thermal insulation fixed immediately behind the system. Check that correct fixings have been used to fix the cladding profiles. For e.g. 25mm x 2.65mm gauge (A4 grade) stainless steel nails at each intersection. Check that all joints have been planned to give a neat symmetrical and balanced appearance and are made over support battening. Ensure window intersections are watertight and trimming has been completed neatly. Always use a breathable membrane as secondary waterproofing (when installed WITHOUT the aluminium butt joint trim).

22. SURFACE REPAIR

Prior to surface repair advice should be sought from the manufacturer regarding continuity of guarantees.

Coastline Boards are designed to be a 'through colour' product therefore minor scratches or scores should not be visible, however colour matched touch up pens and silicone sealants are available from the point of purchase should any cosmetic repairs be required to trims and joints.

21. GENERAL MAINTENANCE

Coastline profiles are self-finished and low maintenance. Occasional washing with a non-abrasive mild detergent and water is beneficial in removing surface grime and maintaining a pristine appearance, especially in heavily polluted atmospheres.

Solvents should not be used under any circumstances for cleaning.

Exercise care to prevent contact with, and staining by creosote or bitumen-based products.

Many common building materials can be easily cleaned off without damage.

23. BOARD REPLACEMENT PROCEDURES

Replacement of a single board can be achieved; alternatively removal of the affected boards may require removal of trims and nails in and around the area of damage. Check battens, waterproof breathable membrane, and substrate and repair as necessary.

PRE-INSTALLATION CHECK

▶ **Coastline Cladding is designed for use on masonry buildings with a maximum height of 18m and at least 1 metre from boundaries.**



Failure to install Coastline in accordance to these instructions will invalidate the Product Guarantee.

CONTACT

For further information, visit tradesuperstoreonline.co.uk



**TRADE
SUPERSTORE
ONLINE®**