
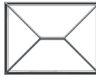
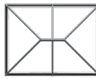


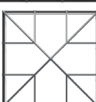






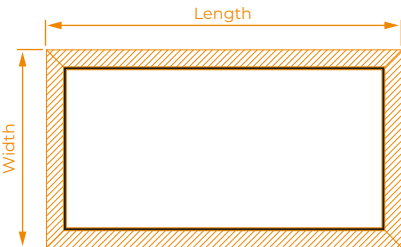
### SI Lantern survey sheet

Dimensions (measure to the outside of the upstand)

Length (mm)		Width (mm)	
-------------	--	------------	--

<p><b>L W</b> min 600 x 600 max 2400 x 2400</p>		<b>Style 1</b>	<input type="checkbox"/>
<p>min 800 x 600 max 3000 x 2400</p>		<b>Style 2</b>	<input type="checkbox"/>
<p>min 1200 x 600 max 4000 x 2400</p>		<b>Style 3</b>	<input type="checkbox"/>
<p>min 2400 x 600 max 6000 x 2400</p>		<b>Style 4</b>	<input type="checkbox"/>
<p>min 3000 x 600 max 6000 x 2400</p>		<b>Style 5</b>	<input type="checkbox"/>
<p>min 1800 x 1800 max 3200 x 3200</p>		<b>Style 6</b>	<input type="checkbox"/>
<p>min 2000 x 1800 max 3400 x 3200</p>		<b>Style 7</b>	<input type="checkbox"/>
<p>min 2000 x 1800 max 4000 x 3200</p>		<b>Style 8</b>	<input type="checkbox"/>
<p>min 3000 x 1800 max 6000 x 3200</p>		<b>Style 9</b>	<input type="checkbox"/>
<p>min 3600 x 1800 max 6000 x 3200</p>		<b>Style 10</b>	<input type="checkbox"/>

- 25° pitch
- 50mm sightlines  
*Rafter, hip, jack rafters and ridge*
- 1.2KN/m<sup>2</sup> snowload  
*Covering the whole of the UK up to 200m altitude.*



The lantern design assumes that the eaves beam is fully supported along all edges by a structural upstand capable of resisting the full vertical (as well as any lateral spread loads) applied by the lantern roof self-weight plus imposed snow/wind loads.

Colour Matt finish	External	Internal
<b>Pure White</b> 9010	<input type="checkbox"/>	<input type="checkbox"/>
<b>Anthracite Grey</b> 7016	<input type="checkbox"/>	<input type="checkbox"/>
<b>Jet Black</b> 9005	<input type="checkbox"/>	<input type="checkbox"/>
<b>Bespoke</b> <small>Subject to minimum order qty. Price on application</small>	_____	_____

Glazing 28mm Tint colour	Standard 4/20/4 1.1 U-value	Laminate 4/18/6.8 1.1 U-value	Thermal 6/16/6 1.0 U-value
<b>Neutral</b>	<input type="checkbox"/>	<input type="checkbox"/>	<input type="checkbox"/>
<b>Blue</b>	<input type="checkbox"/>	<input type="checkbox"/>	<input type="checkbox"/>
<b>Bronze</b>	<input type="checkbox"/>	<input type="checkbox"/>	
<b>Aqua</b>	<input type="checkbox"/>	<input type="checkbox"/>	
<b>Unglazed</b>	<input type="checkbox"/>		

To order or request a quote for an aluminium lantern roof please fill in this form and email back to

[sales@txpro.co.uk](mailto:sales@txpro.co.uk)

QUOTE  ORDER

### Job details

Name \_\_\_\_\_

Reference \_\_\_\_\_

Contact number \_\_\_\_\_

Contact email \_\_\_\_\_

Delivery address for these items

\_\_\_\_\_

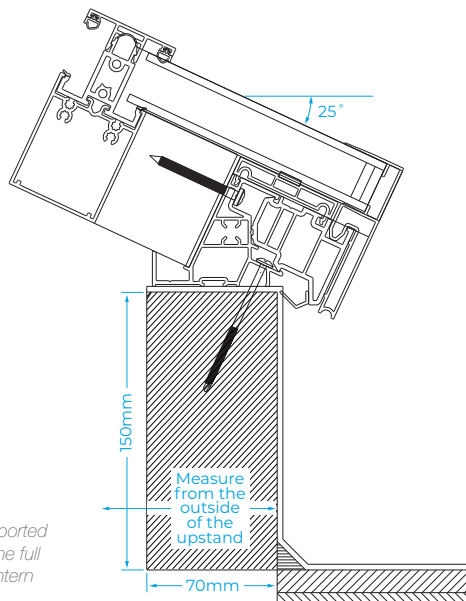
\_\_\_\_\_

\_\_\_\_\_

Preferred delivery date

\_\_\_\_\_

Notes



**MINIMUM UPSTAND DIMENSIONS**

### Your details

Name \_\_\_\_\_

Company \_\_\_\_\_

Contact number \_\_\_\_\_

Contact email \_\_\_\_\_

Address

\_\_\_\_\_

\_\_\_\_\_

\_\_\_\_\_

\_\_\_\_\_

Signature \_\_\_\_\_