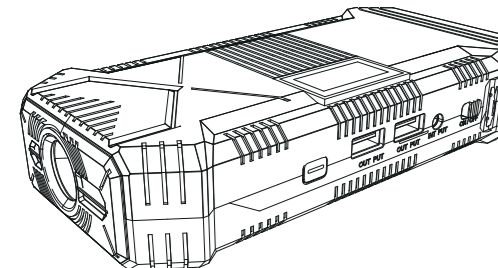


**TENKER**

# User Manual

Portable Car Jump Starter



600A 14000mAh

For petrol engines below 5.0L and diesel engines below 3.5L

support@tenker.co

1-855-558-8666(24 hours Mon-Fri)

www.tenker.co

www.tenker.co

## Attention

- This device applies to petrol engines up to 5.0L and diesel engines up to 3.5L. Please don't start a vehicle with a higher engine capacity or it will cause serious damage to the device and could be dangerous to the user.
- Don't crank the engine for more than 3 seconds. Allow the jump starter to cool down for at least 1 minute after each start.
- Your jump starter will work best when it is fully charged. If less than 30% charged, it will not be able to start your engine. Clear the dust on the electrodes of your car battery before jump starting.
- If the instructions are followed correctly but your vehicle doesn't start instantly, please wait for 5-10 minutes and try again. But please don't make repeated attempts to jump start the engine without allowing time for the device to cool down.
- Do not connect the positive and negative polarity together when it's power on.
- Separate the cables from the jump starter when they are not being used.
- It is prohibited to charge the device immediately after a jump start. Please wait at least 30 minutes if you want to charge the device after a jump start.
- To preserve lifespan, recharge the device at least once every 3 months.
- Use original or certified cables.
- Do not expose the jump starter to liquids. Do not disassemble.
- Avoid dropping the device and exposing it to extreme temperatures.

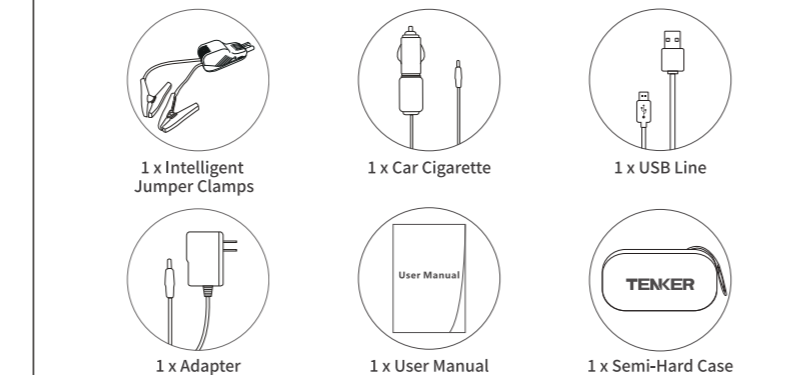
▶ 1

www.tenker.co

## Specifications

Capacity	14000mAh/ 51.8Wh
Weight	550g/ 19.4oz
Size	169x 85 x 36mm/ 6.7x 3.4 x 1.4inch
Input	15V/1A
USB Output	Smart 5V/2.4A; Smart 5V/2.4A
Jumping Peak Output Current	600A
Jumping Start Output Current	400A
Operation Temperature Range	-20°C- 60°C/ -4°F- 140°F

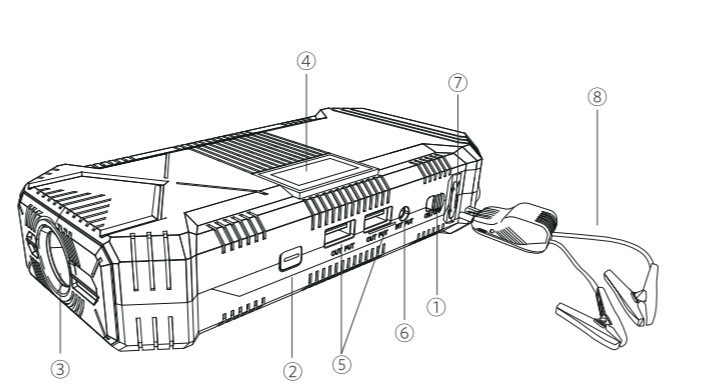
## Accessories



▶ 2

www.tenker.co

## At a Glance



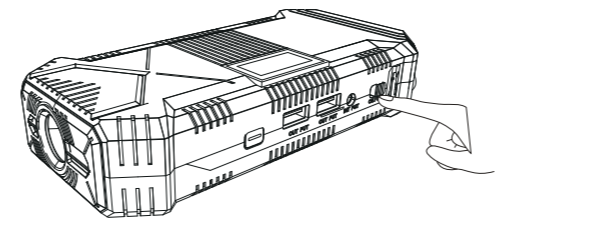
- ON / OFF Button
- Function Key
- LED flashlight
- LCD Screen
- USB Outputs
- 15V / 1A DC input port
- 12V jumping port
- Jumper cables

▶ 3

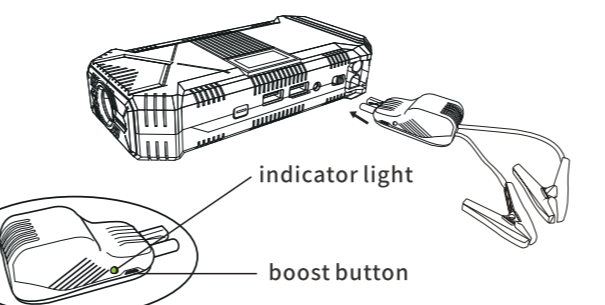
www.tenker.co

## How to Jump Start Your Car

- Turn on your jump starter and make sure it's over 30% charged. (Please charge it fully at the first time use.)



- Insert jumper cables into jumping port. The indicator light will flash red and green alternately.

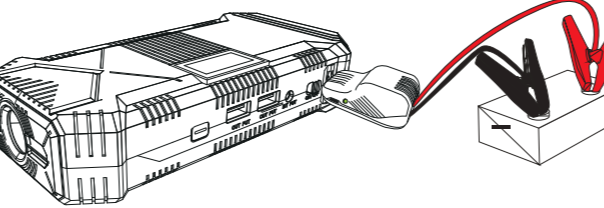


▶ 4

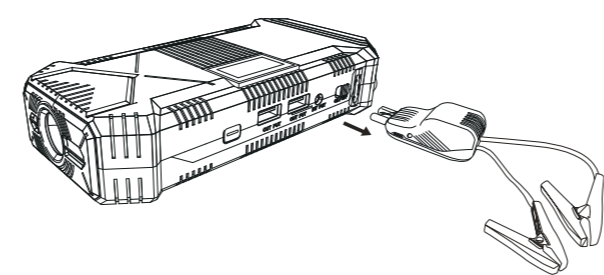
www.tenker.co

## How to Charge Cellphones or Tablets

- Connect the red clamp to the positive(+) terminal and the black clamp to the negative(-) terminal of the car battery. The indicator light will turn green. If it flashes red and green alternately, press the "booster" button next to the light for 3 seconds which will turn it green. This status will continue for 30 seconds to allow you to start the car. After that time, please repeat the previous steps (press the booster button) again to start the car.



- Start your engine.
- Remove clamps and pack away.

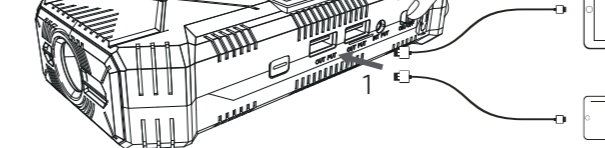


▶ 5

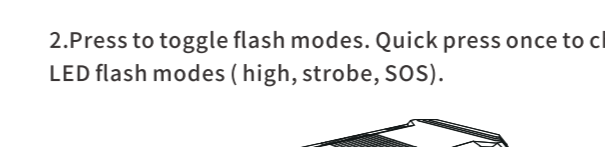
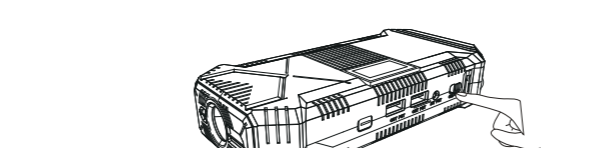
www.tenker.co

## How to Use the LED Flashlight

- Hold to turn on / off.
- Press to toggle flash modes. Quick press once to change LED flash modes ( high, strobe, SOS).



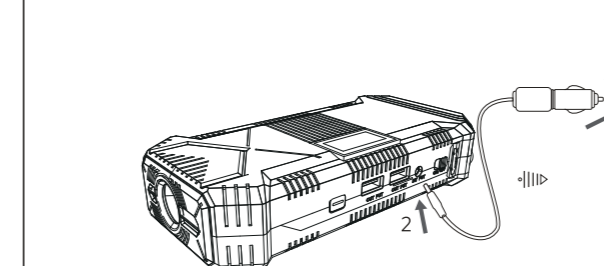
- Hold to turn on / off.
- Press to toggle flash modes. Quick press once to change LED flash modes ( high, strobe, SOS).



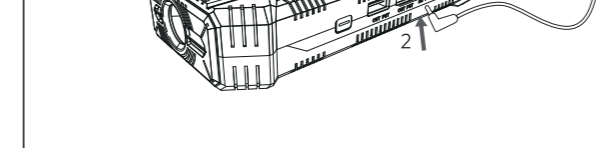
▶ 6

www.tenker.co

## How to Recharge The Device



- Hold to turn on / off.
- Press to toggle flash modes. Quick press once to change LED flash modes ( high, strobe, SOS).



▶ 7

**TENKER**

3-year limited warranty

Lifetime technical support

support@tenker.co

1-855-558-8666(24 hours Mon-Fri)

www.tenker.co

RoHS CE FCC Made in China