



MODULAR 515 TYPE AMBULANCE Spare Parts Catalogue



MODULAR TYPE AMBULANCE Catalogue CONTENTS

CONTENTS

MODULAR 515 TYPE BODY COMPONENTS

MODULAR 515 TYPE LOCKER COMPONENTS

MODULAR 515 TYPE ELECTRICAL COMPONENTS

SERVICES

We are pleased to be offering a complete OEM product range covering all coach-built ambulances as well as OEM van conversions. All of our products meet the original CEN requirements, giving you the comfort of knowing that the re-built vehicle conforms to the road legal requirements in force at the time of build.

PARTS CATALOGUES

To assist you further in the reduction of vehicle down-time, we currently have the following catalogues available:

PREMIA TYPE Ambulances.

MODULAR TYPE Ambulances.

TRUST SPECIFIC Coach-Built Ambulances.

GENERAL STORES Catalogue.

These are all available either online or through our office.



BODY COMPONENTS

MODULAR 515 TYPE AMBULANCE Saloon Body Components (Patient Lift)

Patient Lift, Complete Kit
(Ross & Bonnyman):
12007075

Angle (Platform Buffer):
12007500
Top Hat (Buffer):
7521325



MODULAR 515 TYPE AMBULANCE Saloon Body Components (Access Doors 1)



Access Door (Rear RHS)
Complete Bonded Assy.
(Not painted): 9502550



Access Door (Side, LHS)
Complete Bonded Assy.
(Not painted): 9501850



Access Door (Rear LHS)
Complete Bonded Assy.
(Not Painted): 9520000

For Other Door Components, See Section "Doors: Accessories".

MODULAR 515 TYPE AMBULANCE Saloon Body Components (Access Doors 2)



Equipment Door (Large, LHS)
Complete Bonded Assy.
(Not Painted): 9502050



Equipment Door (Small, LHS)
Complete Bonded Assy.
(Not Painted): 9501775



Gas Locker Door (RHS)
Complete Bonded Assy.
(Not Painted): 9501875

For Other Door Components, See Section "Doors: Accessories"

MODULAR 515 TYPE AMBULANCE Saloon Body Components (Access Doors 3)

Door Panel (Battery Access): 10004700



Escutcheon 0130/003 (Budget Lock):
7503200



Door Panel (Heater Access): 7521600



Budget Lock (Stainless Steel):
7557950
Packer (B. Lock):
7533100
Backing Plate (B. Lock):
7534100



Door Panel (Light Rescue Kit): 7521600



Hinge: 7508175



Door Panel (Patient Lift Man. Operation): 1004800



MODULAR 515 TYPE AMBULANCE Saloon Body Components (Doors: Accessories 1)



Striker Pin (Hex Head):
7503825



Central Locking Motor:
5037775

Rotary Latch, R/H: 7503750



Caged Nut:
7503850



Operating Rod Kit:
To Order

S. Steel Hinges:

- Acc Door (Rear RHS): 7553800
- Acc Door (Rear LHS): 10251375
- Acc Door (Side LHS): 10251375
- Equip. Door (Large LHS): 7503450
- Equip. Door (Small LHS): 10251351
- Gas Locker Door (RHS): 10251400

Rotary Latch, L/H:
7503725



Tapping Plates:

- Acc Door (Rear RHS): 7571950
- Acc Door (Rear LHS): 10251225
- Acc Door (Side LHS): 10251225
- Equip. Door (Large LHS): 10251225
- Equip. Door (Small LHS): 10251200
- Gas Locker Door (RHS): 10251250

Check Strap:
7504275



Pin Switch:
5293950

End Caps:
7503625



Rub Rail & Carrier:
7520600



Reflector, Red
(Self-Adhesive):
7509800

Seal (Large, Rear Door Edge RHS):
7510225



External Paddle Handle/
Lock Assy: 7503775



Marker Lamp (LED, Yellow):
5342925



Door Seal (Small):
7503675



Door Close Assistor C/W Reinforcing Angle:
7519825

MODULAR 515 TYPE AMBULANCE Saloon Body Components (Doors, Accessories 2)



Adjusting Hook
(Window Blind):
7507250



Grab Handle (Door):
7600425

Dovetail Bracket
Load Light):
5284700



Window Blind (Door):
7523025



Pan Finisher (Window): 7515150

Actuator Bracket (Door
Link): 12000675



Window C/W Slider (Side Door): 7505900
Window, No Slider (Rear Door): 9505925



Extraction Fan
(Step Well):
5048225

Grill (Ext. Fan):
5041625



Door Operating Link Assy.
(Side Step): 12008275



Cover (Ext. Fan):
5042500



Door Operating Link Assy.
(Rear Step): 12008325



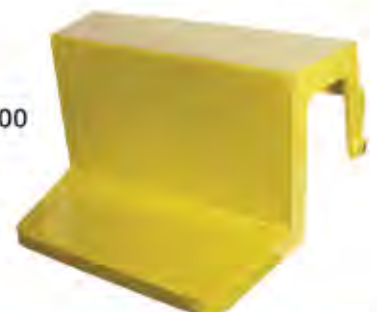
Rear Step Assy: 12007150
Rear Step: 12007200
Angle, Platform Buffer: 12007500
Tread Pad (Upper): 12008225
Tread Pad (Lower): 12008250

S. Steel Scuff Plate
(Door Sill):

685mm: 9001725 (LHF Equip. Locker)
890mm: 9001825 (Rr. Pat. Lift Door)
718mm: 9001850 (Rr & LH Access Door)
592mm: 9001875 (LH Rr Equip Locker)



Side Step Assy: 12007125
Side Step: 12007175
Angle, Platform Buffer: 12007500
Tread Pad (Upper): 12008175
Tread Pad (Lower): 12008200



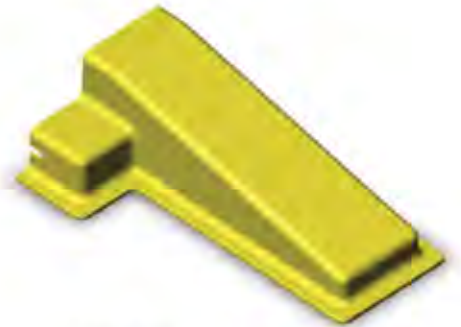
MODULAR 515 TYPE AMBULANCE Saloon Body Components (Doors, Accessories 3)



Stay Bar: 1027075 / 10252075



Stay Bar Top Hat: 0127225



Stay Cover: 2751650



Stay Guide: 1027100 / 10252199



Door Buckle Plate: 1027375



Door Rebound Assy: 8761200



Stay Guide Plate: 1007875



Stay Bar Bracket:
7600550



Bulkhead Buckle Plate: 1027275



Buckle Strap: 1027400



Push Rod (Release Lever):
10251900

Stay Bar Release Lever:
1007925
Release Lever Guide:
1007900

MODULAR 515 TYPE AMBULANCE Saloon Body Components (Door Stowage Kits)

Stowage Kit Complete, Spine Board & Scoop: 24750600

Stowage Kit Complete, Carry Chair: 8865925



Spine Board Top Bracket:
8752650
ABS Liner Pad:
7526375



Carry Chair Top Bracket:
5182250



Spine Board End Bracket:
8752700



Carry Chair Bottom Bracket:
8754700

Fixing Plate
(Securing Strap)
xxxxxxx



Securing Strap (Spine Board)
7509975



Wear Pad:
7526375



Fixing Plate (Securing Strap):
7557100



Buffers:
5005500



Spine Board Bottom Bracket:
7526300

Guide, Bottom Bracket
(C/W ABS Liner):
2750450



MODULAR 515 TYPE AMBULANCE Saloon Body Components (Skirt Assemblies 1)



Skirt Assy. LHS Front: 10004175



Skirt Front Capping RH/LH:
10004850



Skirt Assy. LHS Rear: 10003400



Skirt Box (Heater):
10000650



Skirt Assy. RHS Front: 10003425



Skirt Box (Light Rescue):
1003875



Skirt Assy. RHS Rear: 10003450



Skirt Box (Large Equip. Locker):
10004750



Skirt Assy. Rear: 10003325



Skirt Box (Battery, Outer): 7002300
(For further Info. see Battery Stowage Section)



Skirt Box (Side Step Well):
10004025

Skirt Box (Rear Step Well):
10004200

MODULAR 515 TYPE AMBULANCE Saloon Body Components (Skirt Assemblies 2)



Wheel Arch Finisher (Black 639):
10000725



ABS Scuff Plate, Rear: 7600575



ABS Scuff Plate, Front: 7599275



Support Strut, Long
(Rear Skirt):
10005100



Support Strut, Short
(Rear Skirt):
10005125



Rubbing Guide (Bridging Flap On Patient Lift):
2750975



Mudguard Panel, Alu
(L/H Front, R/H Rear):
10005025

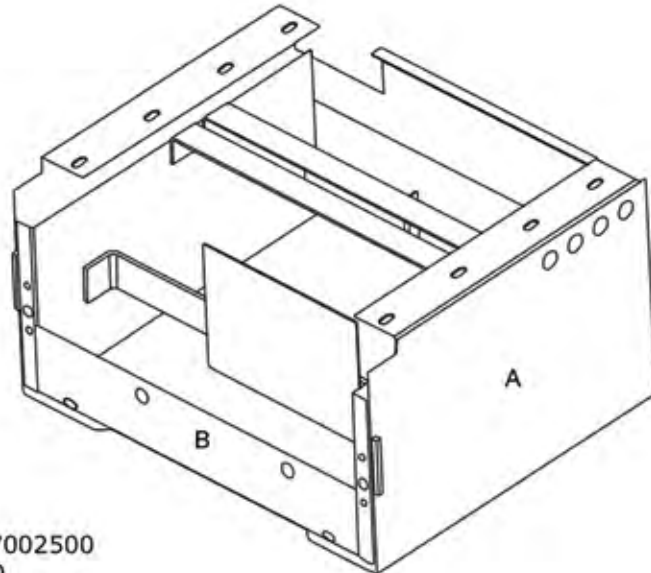


Mudguard Panel, Alu
(L/H Rear): 10005050



Mudguard Panel, Alu
(R/H Front): 10005075

MODULAR 515 TYPE AMBULANCE Battery Stowage



Battery Box Stowage Assy:

- Battery Box Fabricated Assy. Complete: 7002500
- Battery Box, Outer (Illust. "A"): 7002300
- Battery Box, Inner (Drawer, Illust. "B"): 7002400
- Drawer Slide (4-Beam): 5119175
- Spacer (Drawer Slide): 7533125
- Battery Clamping Bar: 7002525
- Fabricated Ass, Fuse Box Mount Plate & Breasting Bar: 7002550



MODULAR 515 TYPE AMBULANCE Saloon Body Components (Weatherproof Seals)

Door Seal (Large):
7510225



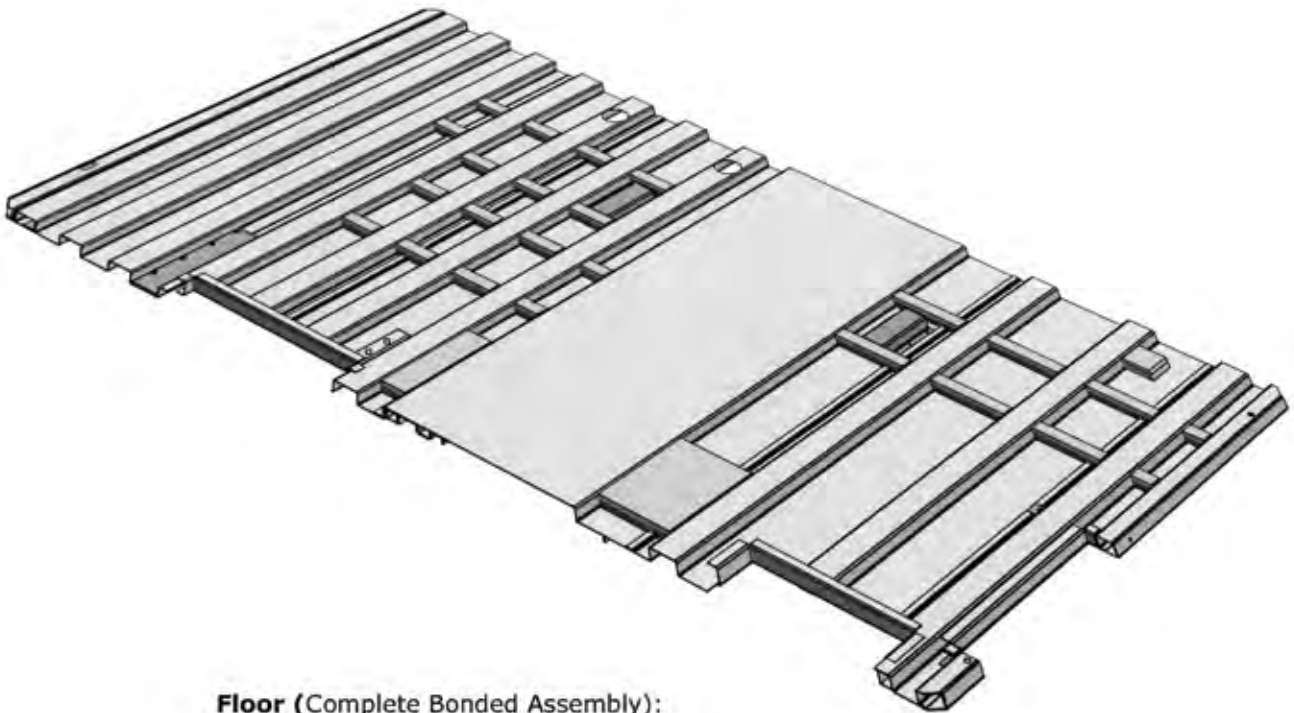
Door Seal (Small):
7503675



Side Window Seal:
7518750

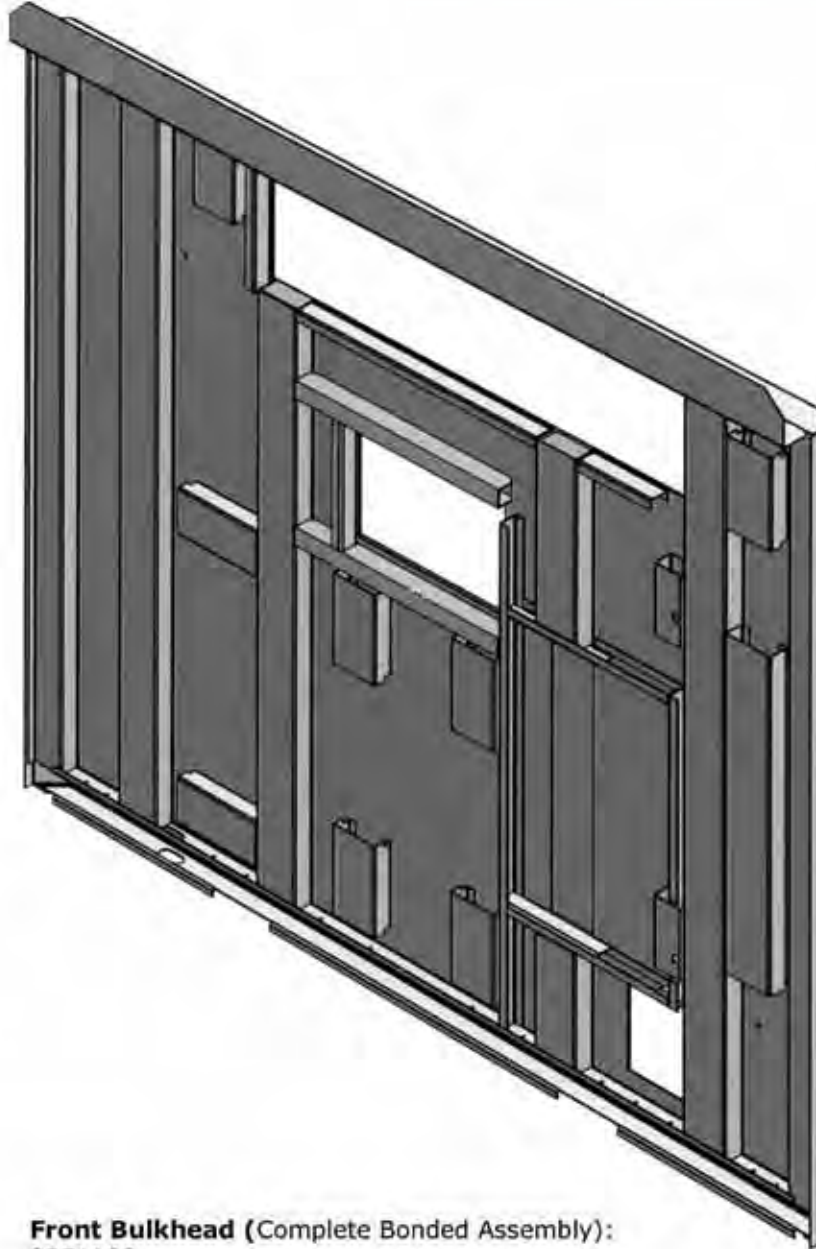


MODULAR 515 TYPE AMBULANCE Saloon Body Components (Floor Assembly)



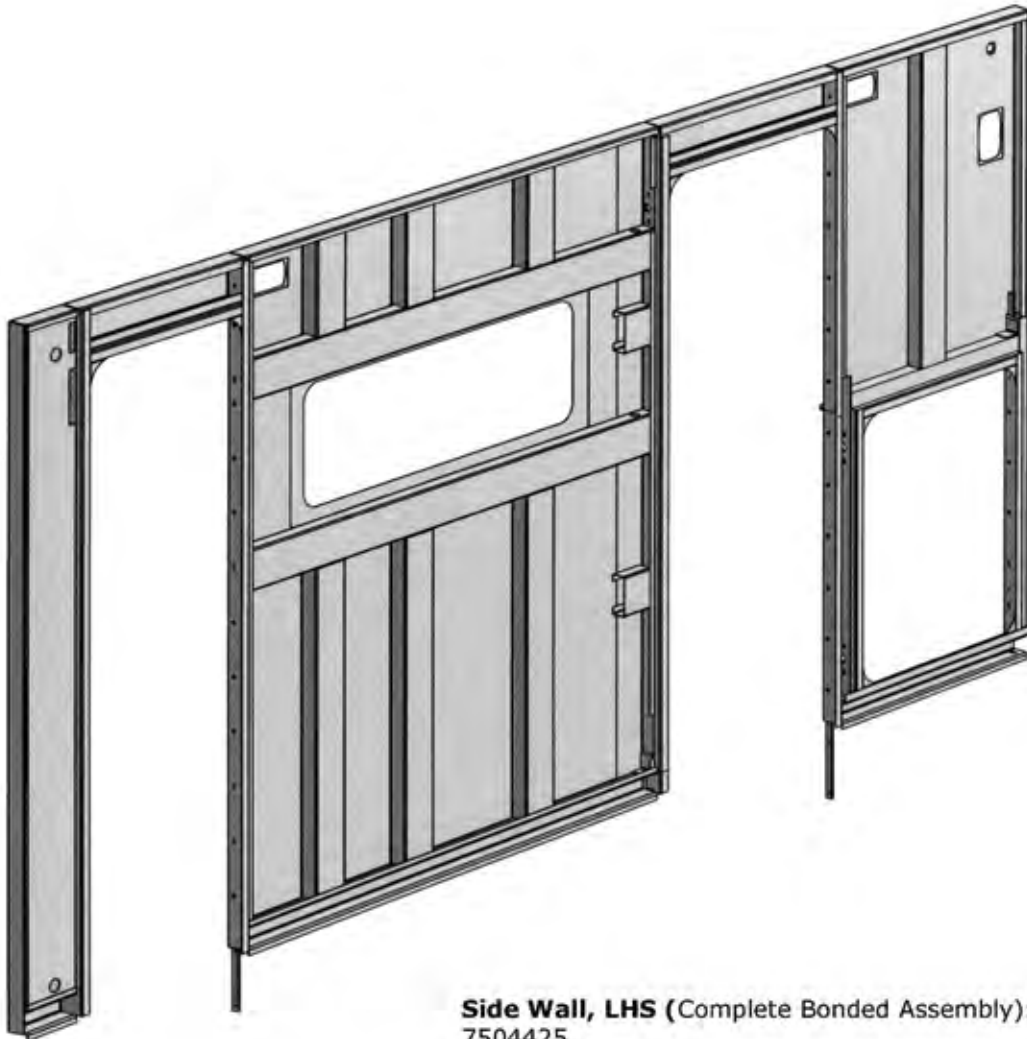
Floor (Complete Bonded Assembly):
7756300

MODULAR 515 TYPE AMBULANCE Saloon Body Components (Front Bulkhead)



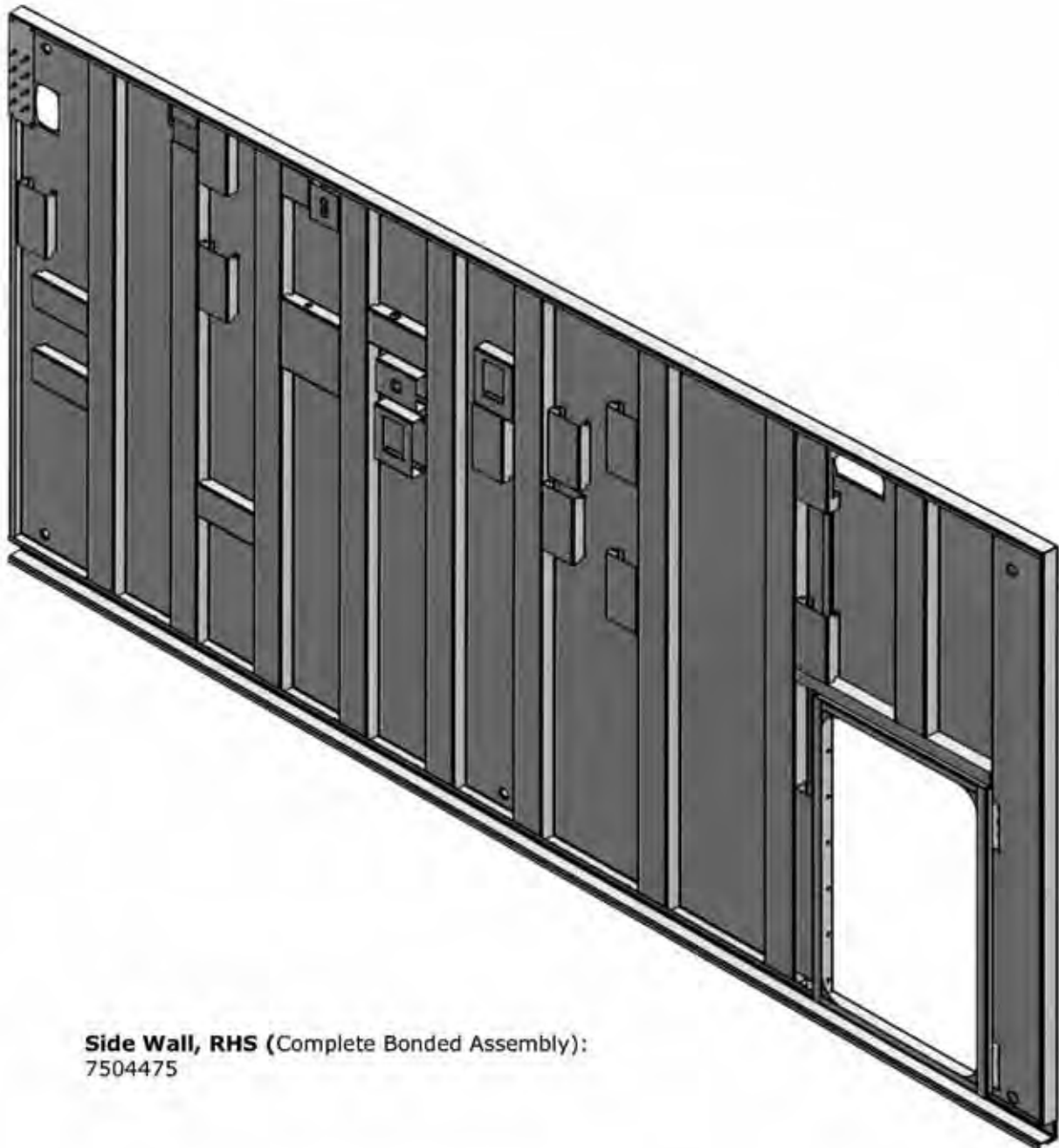
Front Bulkhead (Complete Bonded Assembly):
8251100

MODULAR 515 TYPE AMBULANCE Saloon Body Components (Side Wall, LHS)



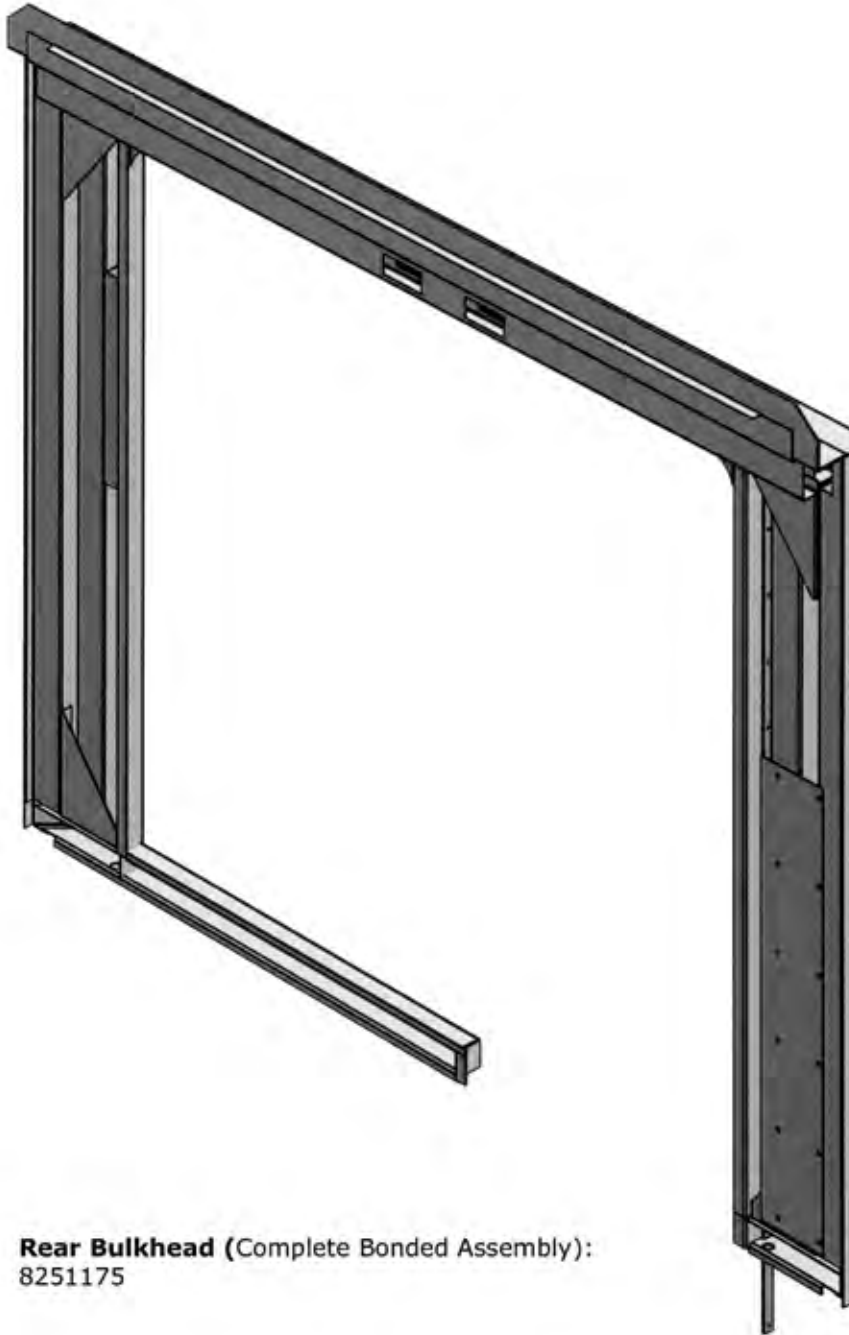
Side Wall, LHS (Complete Bonded Assembly):
7504425

MODULAR 515 TYPE AMBULANCE Saloon Body Components (Side Wall, RHS)



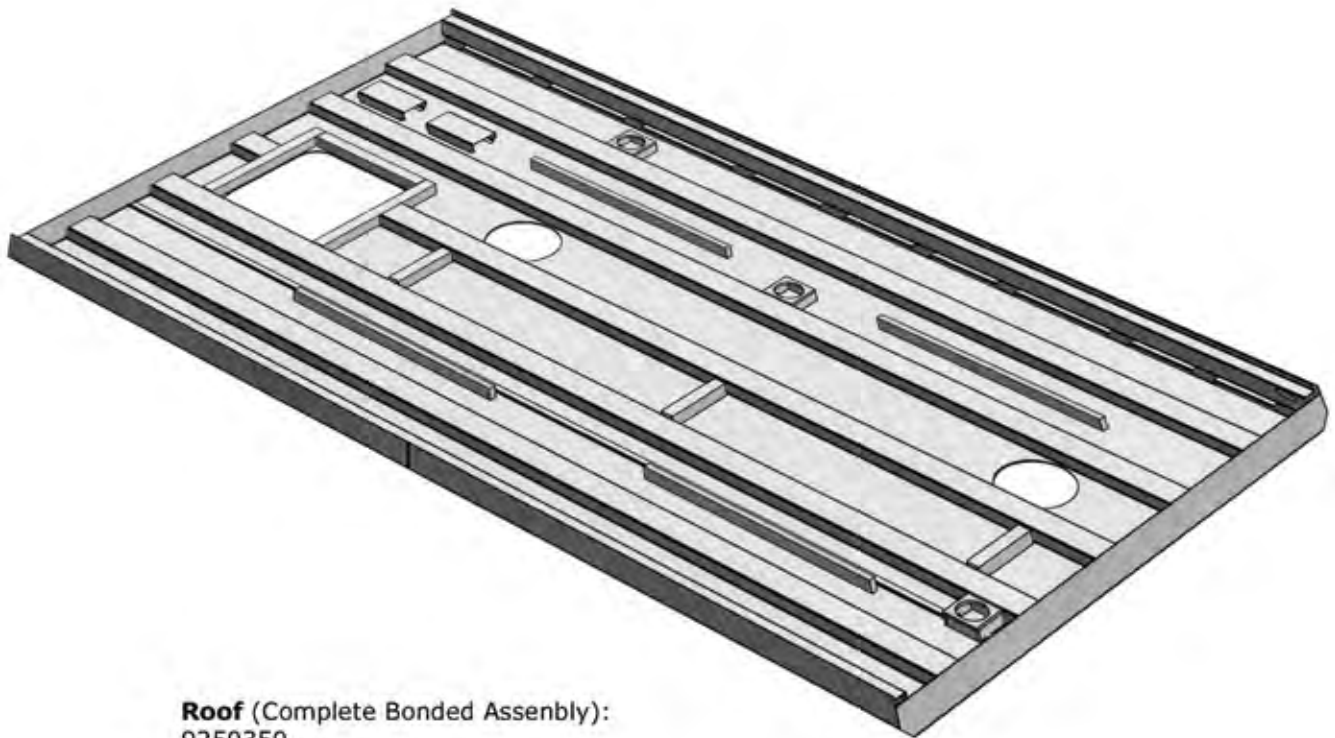
Side Wall, RHS (Complete Bonded Assembly):
7504475

MODULAR 515 TYPE AMBULANCE Saloon Body Components (Rear Bulkhead)



Rear Bulkhead (Complete Bonded Assembly):
8251175

MODULAR 515 TYPE AMBULANCE Saloon Body Components (Roof Assembly)



Roof (Complete Bonded Assenbly):
9250350

MODULAR 515 TYPE AMBULANCE Saloon Body Components (Livery 1)



L/H Elevation



Front Elevation



MODULAR 515 TYPE AMBULANCE Saloon Body Components (Livery 2)

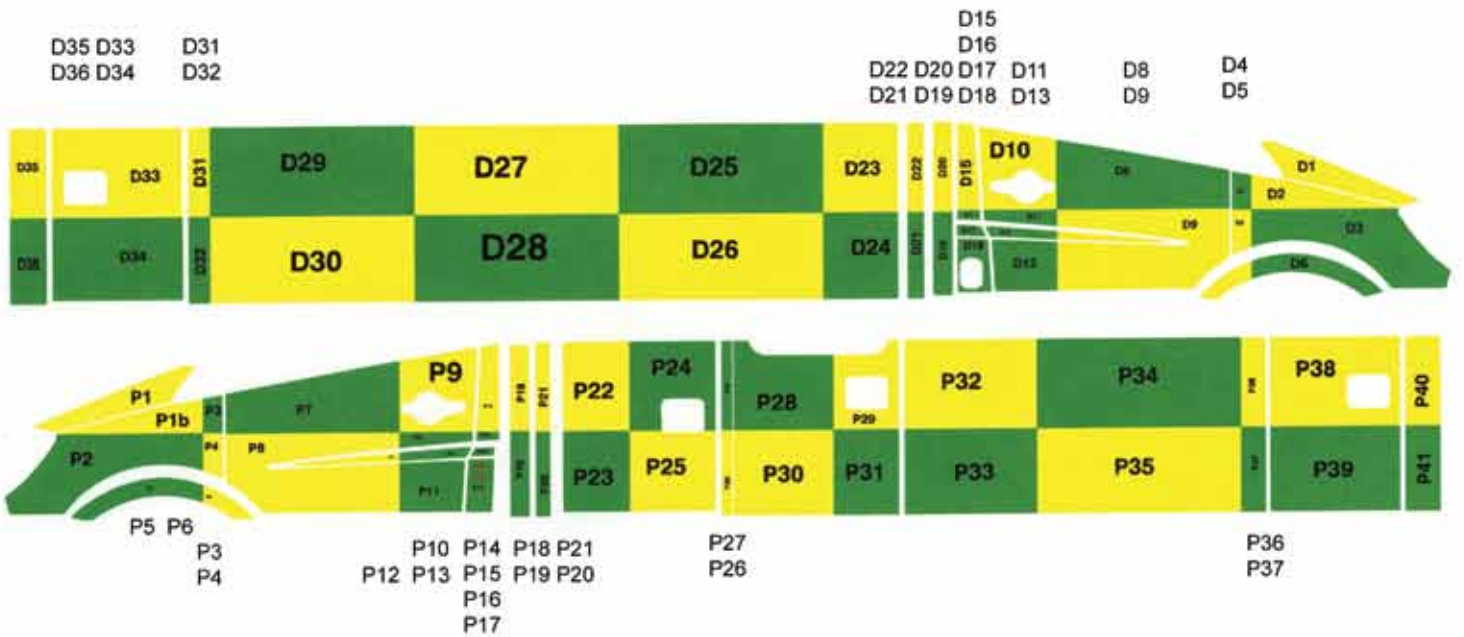
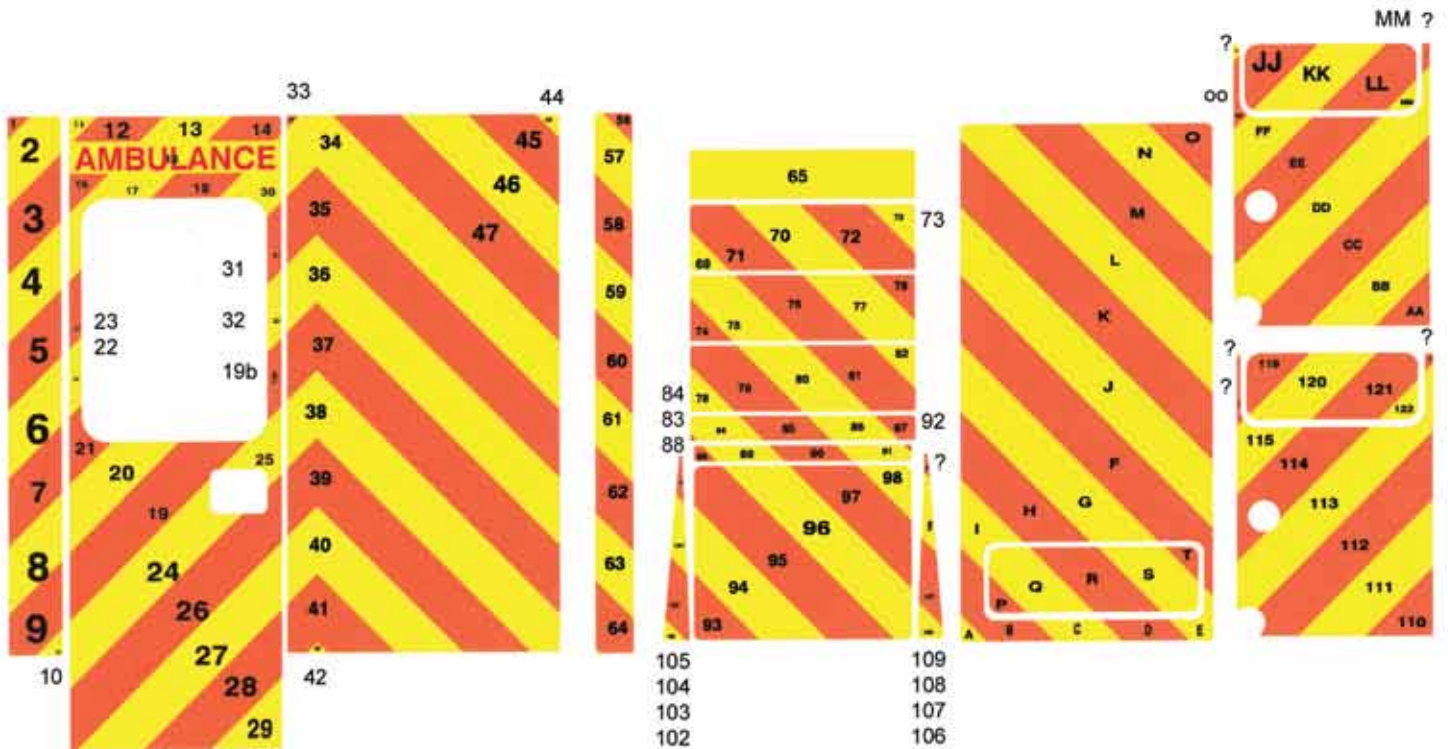


R/H Elevation



Rear Elevation

MODULAR 515 TYPE AMBULANCE Saloon Body Components (Livery 3)



MODULAR 515 TYPE AMBULANCE Labels

Labels, Exterior		Labels, Saloon Interior		Labels, Saloon Interior Contd.	
"Oxygen Compartment"	7511125	"Laundry"	13752575	"Bio Hazard" + Logo, Small	7545550
"Equipment Locker"	7511150	"Moving & Handling"	13752600	"Slide To Unlock"	7547325
"Heater Access"	7511200	"Oxygen"	13752625	"Sharps Bin"	7549250
"Patient Assessment"	7511500	"Stair-Chair"	13752650	"Slide Seat Rearwards"	7550675
"Batteries No Smoking"	7529850	"Cannulation"	13752675	"Air-Inlet - Do Not Obstruct"	7551200
"Keep Clear"	7529875	"Response Bag"	13752700	"12 Volts"	7551550
"Unlock/Lock"	7552325	"Lucas"	13752725	"No Loose Items To..."	7558475
"The Screens In All..."	13753925	"Paediatric Response Bag"	13752750	Yellow Warning Triangle	7562150
"Battery Isolator..."	7510975	"P.O.M."	13752775	"Mobile Telephones"	7561900
"Patient Lift"	7545325	"Documentation"	13752800	"Warning Finger Trap..."	7561925
"This Vehicle Engine..."	13753725	"BVM & Resuscitation Masks"	13752825	"Lift Bar To Close Door"	7561950
"In The Event Of..."	13753900	"Resuscitator"	13752850	"Ensure This Door..."	7565800
		"Cardiac & Respiratory Care"	13752875	"KED"	7594025
Labels, Cab Interior		"Immobilisation"	13752900	"Maximum Load 2 KG"	7558325
"The Safety Belts..."	7510900	"Protective Equipment"	13752925	"Maximum Load 3 KG"	7558350
"Isolate Vehicle..."	7511225	"Infection Control"	13752950	"Maximum Load 5 KG"	7558375
"Keep Clear, Stretcher..."	7511475	"Cervical Collars"	13752975	"Maximum Load 15 KG"	7558425
"Use Main Charger..."	7529800	"Consumables"	13753000	"Paediatrics"	13753200
"Vehicle Battery...110V"	7564975	"Non-Clinical Waste"	13753025	"100% Adult"	13753225
"This Vehicle Consumes..."	13753750	"Burns"	13753050	"100% Child"	13753250
Arrow	13753775	"Dressings"	13753075	"Use It - Don't Abuse It"	13753400
No Smoking Logo	13754000	"Maternity"	13753100	"28% Adult"	13753450
		"Clinical Waste"	7549200	"Bacterial Filters"	13753475
		"The Safety Belts"	7510900	"Peak Flow Mouth Pieces"	13753500
		"Fire Extinguisher"	7511025	"1"	13753550
		"12V DC Charger"	7511250	"2"	13753575
		"Priority Charge..."	7511275	"3"	13753600
		"Ambulance Electric..."	7511325	"4"	13753625
		"Emergency Exit"	7511450	Arrow	13753775
		"Warning High Voltage"	7513975	"Please Ensure All..."	13753850
		"Seats Must Be In..."	7529825	"Light Rescue Kit"	13753875
		"Seating For Two..."	7545175	"Push To Isolate"	13753975
		"Ferno Compact Mk2..."	7545275	No Smoking Logo	13754000
		"Compressed Gas..."	7545300	"Elevate Stretcher To..."	13754100
		"Hot Air Outlet Do..."	7545500		

LOCKER COMPONENTS

MODULAR 515 TYPE AMBULANCE Saloon Body Components (Locker Fittings 1)

Crank 'Hinge (1/2"):
5003600



Striker Plate
(Cranked)



Hinge Set: 5215350



Fastening Set 6
5215275



Latch, Interior
Locker
(Non-Locking):
7507075



Gas Strut C/W Knuckle
5139900



Latch, Interior
Locker (Locking)
7507050



Striker Plate



90Deg. Fixing Plate(Gas Strut):
5223875



MODULAR 515 TYPE AMBULANCE Saloon Body Components (Locker Fittings 2)

Profile 6 (2-Way):
5235675



Universal-Fastening Set 6
5234550



Profile 6 30x30 1N
(3-Way Square):
5215250



Standard-Fastening Set 6
5215375



Profile 6 R30-90 Light
(2-Way Quarter Round):
5215225



Cover, Profile 6
5235050



ELECTRICAL COMPONENTS

MODULAR 515 TYPE AMBULANCE Electrical Components (Batteries & Management)



Battery (AGM Lifeline, 105Amp):
5297200



110V Socket (Ludo McGurk): 5052725



Relay, Change-Over
(20/30Amp): 5044400



Seat Base Unit C/W Charger: 7001125



Inverter Charger: 7507475

MODULAR 515 TYPE AMBULANCE Electrical Components (Basic Body System 1)



Push Button Switch
(336-624, Map Lamp): 5344500



Saloon Lamp C/W Blue Trauma:
7545050



Diode Pack 1-Amp Twin:
5039475



Switch 511-110 (Rear Speaker):
5038125
Switch Logo (Radio, Rear Speaker):
7528350

Buzzer (White):
5110075



Diode (3-Amp):
5047700

Central Locking Motor (2-Wire):
5037775



Warning Light (Green LED):
7528125



Step Lamp (LED): 5250650



Eyeball Lamp (Brushed SS):
5314875

Socket (Jack Plug):
5037800



Plate (Jack Plug Socket):
7528775



Pin Switch (Doors): 5293950

Socket (Cigar Plug): 7527950



Plate (Cigar Plug Socket):
7528525

MODULAR 515 TYPE AMBULANCE Electrical Components (Basic Body System 2)



Gland Kit, 25mm: 7536575



Map Lamp: 6000150



Mounting Plate (Map Lamp):
7250275



Gland Kit, 20mm: 5145525



Incubator Connection:
Red T. Only: 7509275
Black T. Only: 7509300
Plate Only: 7529225



Vent Fan, Extract (Pacet VF4840, Yellow): 7250750
Vent Fan, Intake (Pacet VF4840B, Yellow): 7250775



Mounting Plate (Loom):
7514825



AES Interior Lamp (Action Wall): 6000400



Mounting Plate (Battery Cable):
7514800

MODULAR 515 TYPE AMBULANCE Electrical Components (Dash Controls, Ex Carnation)



Rocker Switch, Rev. Alarm Cut-Out (511-024): 5017975
Rocker Switch, Emerg. Start & Bell-Push Cancel, Single Momentary-Action (511-008): 5342125



Mounting Box, Dash Bd. Switches: 5751125



Warn. Light Lens (Emergency Start): 5297900



Switch Back (569-289): 7522200



Cluster Cowl, Dash Bd. Switches: 7251050



Warn. Light Lens (Battery): 7754125



Warn. Light Lens (Tail Lift): 7510075



Bulb Holder: 5038250



Switch Logo (Rev. Buzz. Inhib): 5750775



Warn. Light Lens (Tail Lift): 7510075



Lamp Back (913328): 7522225



Switch Logo (Siren): 5038575



Warn. Light Lens (Door Open): 7510150



Switch Logo (Bell Cancel): 5751225

MODULAR 515 TYPE AMBULANCE Electrical Components (Carnation Control System)



CD2000 D-Unit Modular: 7564325
C/W
Logic Board: 5384450
Fuse Banks: 5385425
H/Light Flasher: 5385450
C/Breaker, 6 Amp: 5385475
C/Breaker 10 Amp: 5385500
C/Breaker 15 Amp: 5385525
C/Breaker 25 Amp: 5385550
C/Breaker 30 Amp: 5385575



Front Keypad (Carnation): 7564400
Mounting Box: 5751125
Cover Plate, ABS: 7251050



Rear Keypad (Carnation): 7564425
Repeater Keypad (Carnation): 7564450



Trim Plate, Saloon Keypad & Speaker Switch:
75251025

MODULAR 515 TYPE AMBULANCE Electrical Components (Communications Equipment)



Aerial Base C/W 15mtr Co-AX Cable:
5040500



Aerial (Long): 5040425



Intercom Kit (Wolf, 2-Mic): 24250075



Mounting Plate (Wolf Intercom): 6250050



Loudspeaker (5" Grey): 7593050



Loudspeaker (5" Black): 879025

MODULAR 515 TYPE AMBULANCE Electrical Components (Warning Siren)



Siren Kit: 7591800
Speaker: 5341200
Siren Flare: 6750175
Flare Cover: 4257950
Flare Bracket: 6757950
Siren Tip: 6750200
Hose Adaptor: 6750225



Woodway Beta Amplifier: 7507650



Diode Pack, 6-Amp: 5039500



Woodway Microphone & Controls for Beta Amplifier: 7563025

MODULAR 515 TYPE AMBULANCE Electrical Components (Legal Lights)

Perei Stop/Tail Lamp, 95mm (LED):
5251375



Warning Lamp, Red (LED):
5251275



Red Reflector 100mmx45mm:
7509800



Perei Indicator Lamp, 95mm (LED):
5251400



Side Marker Lamp, Amber
(LED) C/W Seal: 5250625



Perei Rear Fog Lamp, 95mm (LED):
5251425



Britax No. Plate Lamp:
7503525



Perei Reverse Lamp, 95mm (LED)
5251450



MODULAR 515 TYPE AMBULANCE Electrical Components (Emergency Warning Lights)

Finisher (Emergency Lightbar): 7555825



Emergency Lightbar (LED), Set Fr. & Rr 5251150
Front, Complete: 5252100
Rear, Complete: 5252125



Ext. Blue Lamp (LED), 116): 5251225
Bezel: Please Inquire



White Scene Lamp (700 Halogen): 5052200



Alley Lamp (Halogen, Flush Mounted):
7523125



Blue Lamp (LED), Dash Mounted: 5251250

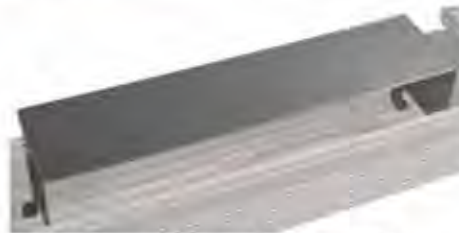


Ext. Blue Lamp (LED) Wing & Grill Mounted:
5251200
Bezel: Please Inquire

MODULAR 515 TYPE AMBULANCE Electrical Components (Emergency Lightbars 1)



White Marker (LED)
Mounting Bracket



Baffle Plate (Rear): Not Available



SM LED Module Dragon
(Blue)
SM LED Module Dragon
(White)
Mounting Bracket



LED Baton
(Ambulance Sign
Illumination)



Flasher Control Box LD VL/AJ/ES 1W12V
Mounting Bracket



Separator Plate
(Escape 2)



Mounting Bracket, Corner LED



Halogen Scene Lamps (Rear Only)



Corner Lamps 7LEDs Sputnik
Set Blue 3W



Stop/Tail/Indicator Lamp LED
Mounting Bracket

MODULAR 515 TYPE AMBULANCE Electrical Components (Emergency Lightbars 2)

AMBULANCE

"Ambulance" Sign Insert



Clear Lens (Cut To Length On Order)



Clear Lens (End Cap)



Body Extrusion (Front)
Body Extrusion (Rear)



Centre Joint Gasket (Front Only)



Lens Gasket



Lens Gasket (End Cap)



Weatherproof Seal

MODULAR 515 TYPE AMBULANCE Electrical Components (Optional Extras)



Re-Chargeable Torch: 7507225



7 LCD: 6252500



Mirror Monitor: 6252525



ClearVUE: 6252550



Reg. Cam: 6252575



Loading Lamp: 5046025
Bulb (H3 55W): 5348900
Dovetail Bracket: 5284700



DOM: 6252600



Micro DVR: 6252625



Reverse Alarm (Backchat): 5044675



Fisheye IR: 6252650



Micro Dome: 6252675



Diesel Alert Switch, Complete: 5257450
Warning Switch C/W Magnet: 302055

INTERIOR/EXTERIOR SPEC. COMPONENTS

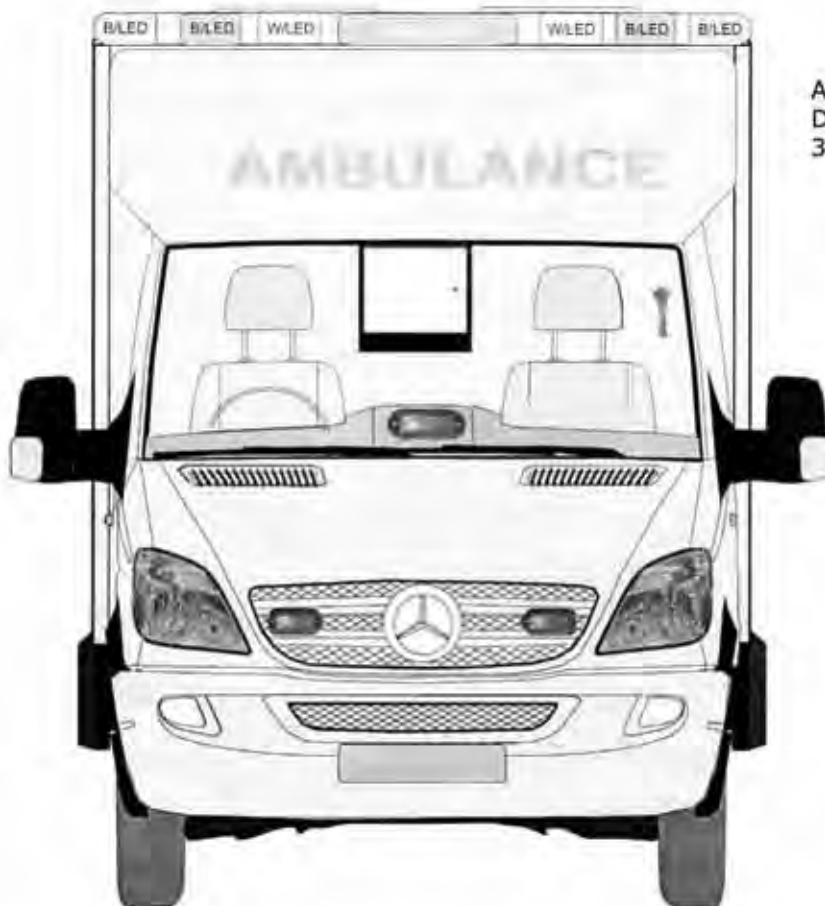
MODULAR 515 TYPE AMBULANCE External Components (Front View)

Emergency Lightbars

Front & Rear Set: 5251150

Front Lightbar Complete: 5252100

Rear Lightbar Complete: 5252125



Air Dam, GRP c/w
Deflector Rails:
3005175

Blue LED Lamp, Wing & Grille Mounted c/w Bezel: 5287450

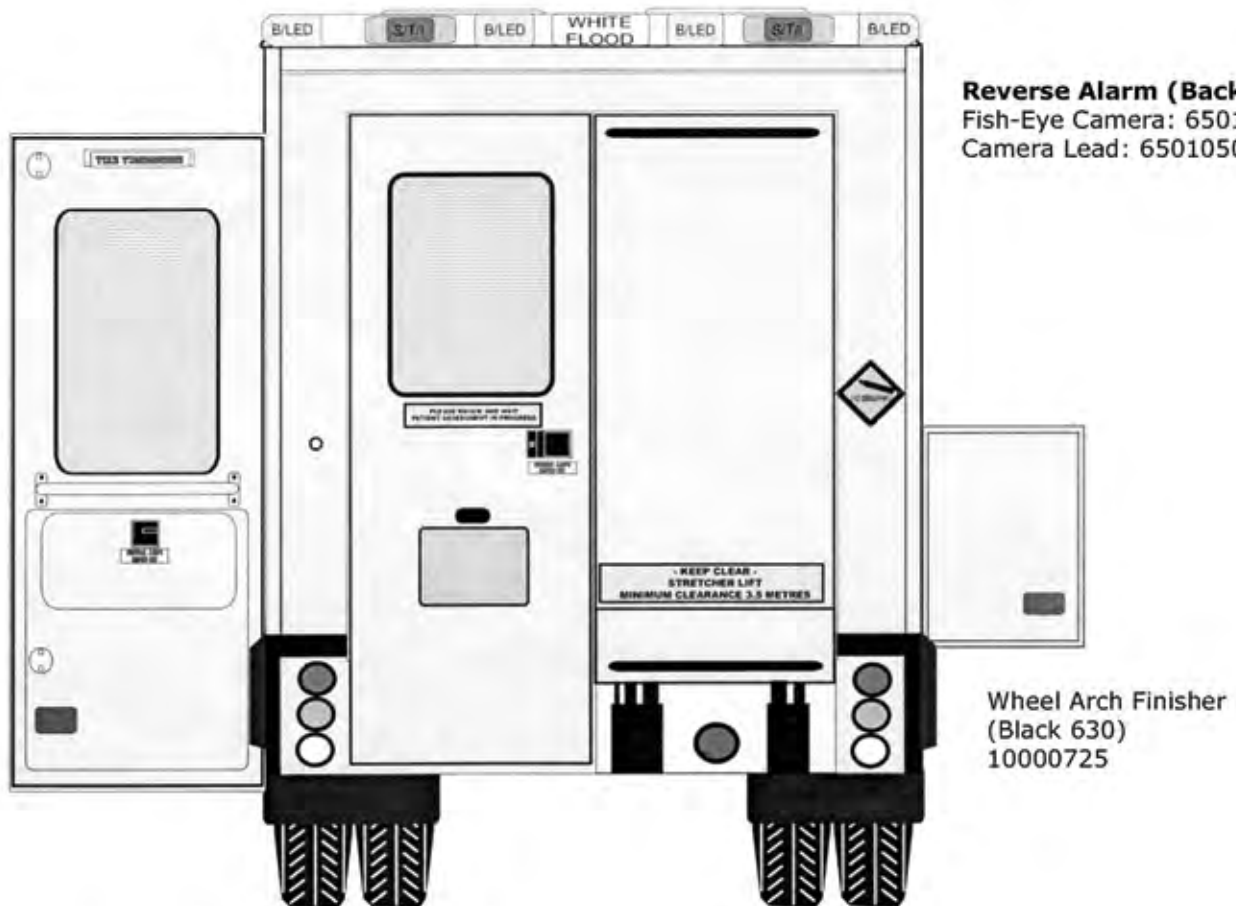
MODULAR 515 TYPE AMBULANCE External Components (Rear View)

Emergency Lightbars

Front & Rear Set: 5251150

Front Lightbar Complete: 5252100

Rear Lightbar Complete: 5252125



Reverse Alarm (Backchat)

Fish-Eye Camera: 6501075

Camera Lead: 6501050

Wheel Arch Finisher
(Black 630)
10000725

Rear Driving Lamps

See Electrical Section

Access Lift (Ross & Bonneyman)

Lift c/w Platform & Hydraulic System: 12007075

Angle (Platform Buffer): 12007500

Top Hat (Buffer): 7521325

Rubbing Guide (Bridging Flap): 2750975

MODULAR 515 TYPE AMBULANCE Internal Components (Cab)

Electrical:

Dash Switch Mount Box: 5751125
 Dash Switch Cluster Bowl: 7251050
 Cab Loom: 5001425
 Switch 511-200: 5751200
 Switch 511-024: 5017975
 Bulb Holder 511-502: 5040750
 Switch Back 7522200
 Lamp Back: 7522225
 Sw. Logo (Rev Buzzer): 5038375
 Sw. Logo (Siren): 5038575
 Sw. Logo (Bell Cancel): 5751225
 WL. Logo (Bat-Scene Warning): 7754125
 Engrave Red WL Lens (Tail Lift): 7510075
 Engrave Red WL Lens (Step Down) 7510125
 Engrave Red WL Lens (Door Open): 7510150
 Map Lamp: 6000150
 Switch (Map Lamp): 5344500
 Wiring Loom Cover (Cab Side): 7251700
 Loom Cover Side Panel: 7251825
 Edge Protector: 16500125

Protective Covers

Cab Pelmet Cover: 9001700
 L/H Cab Finisher (Alu): 9001650
 R/H Cab Finisher (Alu): 9001675

Bulkhead:

Sliding Window: 5126750
 ABS Finisher: 2750675
 Window Catch: 5261750

Helmet Stowage:

Assy. Complete: 8754775
 Base Plate: 8754800
 Mid Section: 8754825
 Tyrite Strap: 14750125
 Fix. Plate (Tyrite Strap): 5086700

Radio Stowage:

Bracket: 7251600
 Radio Scuff Plate: 7251850
 Bungee Cord: 7251700

Cab Console Rear Section:

R/H Side Panel: 8008175
 Front Panel: 8008225
 Shelf Support Panel: 8008250
 Door Panel: 8008275
 Black Ambla Vinyl: 4250025
 Hinge (Cranked): 5003425
 Strap: 8007425
 Southco Latch: 7507075
 Lock Keep: 8005075
 Latch Cover: 7517675
 Console Fix. Bracket: 8007475
 Console Base Plate: 8007150

Cab Centre Console:

Assy. Complete: 8005100
 Front Section Switch Panel: 8008100
 Front Section Side Panel: 8008125
 Front Section Base Panel: 8008150
 Black Ambla Vinyl: 4250025



Cool Box Stowage:

Bracket Complete: 8754775
 Cool Box Angle: 8754800

Triple Glove Box

Complete Assy: 5220750
 Box Holder: 5211500
 Securing Strap: 5220725
 Fix. Plate (Strap): 5086700

Cab Accessories:

Fire Extinguisher 2-Litre AFFF: 5057375
 Securing Strap (F.Extinguisher): 5003200
 Retractable Coat Hook (Black): 5003950
 Vulcan Re-Chargable Torch: 7507225
 Break Glass Hammer: 5181200
 Thermos Flask: 5359150

MODULAR 515 TYPE AMBULANCE Internal Components (Saloon Front Bulkhead)

Bulkhead Overcab Locker:

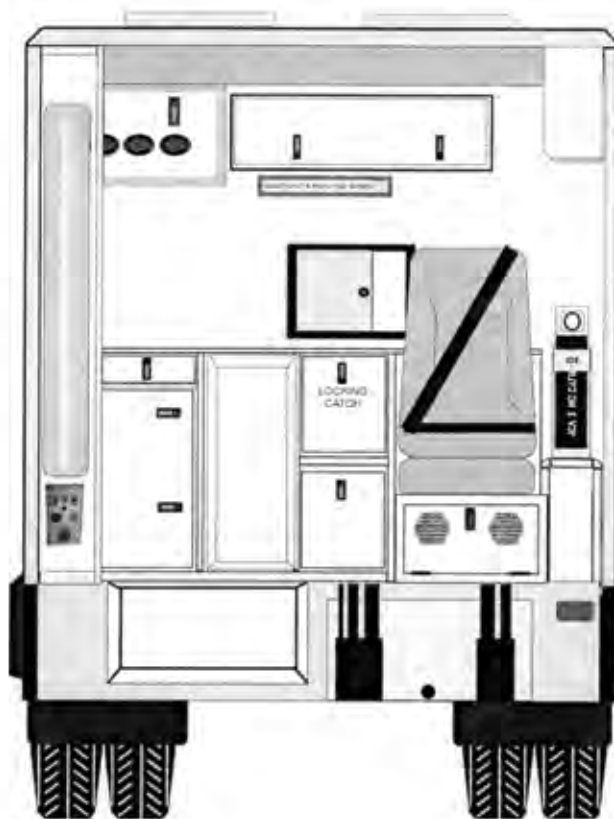
Assy. Complete: 8005050
 Door Panel: 8006800
 Hinge: 5021600
 Southco Latch, Locking: 7507050
 Lock Keep: 8005075
 Latch Cover: 7517675
 Gas Strut: 5139900
 Fix. Bracket, Gas Strut: 5223875

Communications Equip. Storage Shelf:

Complete Assy: 7002725
 Slider Bracket Assy. (RH): 7002750
 Slider Bracket Assy. (LH): 7002775
 Slider Bracket Angle: 7002800

LH Front Lower Cabinet:

Complete Assy: 8004825
 Hinge: 5215350
 Door Panel 398x694: 8005725
 Drawer Front Panel 398x119:
 8005750
 Drawer Int. Divider: 2750550
 Shelf 442x761: 8005600
 Top Panel 420x731: 8005625
 Side Panel 731x826: 8013925
 Rubber Mat (Drawer)8007350
 Punched Track (Shelf): 7507025
 Support Clip (Shelf): 7507000



Slider Window (Blkhd):

Complete Assy: 5126750
 Finisher: 2750675
 Catch: 5260675
 Courtesy Blind: 2698450

CD Cylinder Clamp Frame:

Complete Assy: 5065750
 Bottom Holder Assy: 5121700
 Securing Strap: 5069525

EVS Attendant Seat:

Comp. Assy. (Forest Grn):
 7508200
 Seat Belt (3-Point & Diag.):
 7510675
 Seat Base Assy: 7506975

Bulkhead Central Cabinet:

Complete Assy: 80004875
 Hinge: 5215350
 Southco Latch (Locking): 7515675
 Southco Latch (Non-Locking): 7507075
 Lock Keep: 8005075
 Latch Cover: 7517675
 Top Door Panel: 8005850
 Bottom Door Panel: 8005875

Side Panel LHS: 8005900
 Side Panel RHS: 8005925
 Shelf: 8005950
 Top Panel: 8006950
 Retaining Strap, Top: 8007725
 Retaining Strap, Bottom: 8007750
 Rubber Mat, 205x670: 8007350

MODULAR 515 TYPE AMBULANCE Internal Components (Saloon, LHS)

Cassette Blind:
Side Door: 7523025
Saloon Window: 7523000

Window
C/W Top Slider: 7505950

Rear Locker (LHS)
Locker Doors (Top): 8005500
Locker Doors (Bottom): 8007600
Southco Latch: 7507075
Lock Keep: 8005075
Latch Cover: 7517675
Hinge: 5215300

Cant Rail Locker (LHS)
Assy. Complete: 8004800
Door Panel (830x290): 8005560
Door Panel (373x290): 8005525
Side Panel (212x312): 8007975
Partition: 8005575
Base Panel: 8008000
Hinge: 5215350
Southco Latch (Non-Locking): 7507075
Lock Keep: 8005075
Latch Cover: 7517675
Gas Spring: 5139900
Gas Strut Fix. Brkt: 5223875

Bump Pad, Side Door: 9001950
Bump Pad, Cant Rail
Locker: 9002225
Paper Towel Holder: 5062500
Dry-Wipe Board: 5057525
Pens (Red): 7576850
Pens (Black): 7516875
Gobo Sanitizer Dispenser: 5278450

Air Con Locker (LHS Top):
Assy. Complete: 8004850
Door Panel, Long (490x250): 78005800
Door Panel, Short (370x250): 8005775
Base Panel (624x425): 8005825
Base Panel (295x140): 8008075
Scribe Panel, Short (295x69): 8008050
Hinge: 5215350
Lock Keep: 8005075
Southco Comp. Latch (Locking): 7507050
Gas Spring (6-15-60-200-70N-PP): 5139900
Gas Strut Fix. Brkt: 5233875
Joint Gasket: 5233400

Air Conditioner (Eberspacher):
Complete Kit: 10751450
Heater Kit: 10751500



Fire Extinguisher: 5057375

Jany 862 Seat
(Short Cushion C/W LH Safety Belt): 7552500
Seat Trim (Forest Green): 7552525
Jany 48000 Swivel (862 Seat): 7552550
Pedestal (300mm) 7587200
Armrest, Adjustable (LHS): 7552600
Armrest, Adjustable (RHS): 7552625

Grabrail (Door Pillar):
7503125

NMI RIP Seat:
Seat: 10502525
Subframe Spacer: 10502725
Subframe Spreader Plate: 10502750

Carnation Board, CD-2000 D-Unit:
Basic Unit: 7564325
Logic Board: 5384450
Front Keypad: 7564400
Rear Keypad: 7564425
Repeater Keypad: 7564450
User Guide: 5385600

MODULAR 515 TYPE AMBULANCE Internal Components (Saloon, RHS)

Latches & Locks (Interior Cabinets):
Southco Latch (Non-Locking): 7507075
Latch Cover: 7517767
Lock Keep: 8005075

Hinge (Interior Cabinets):
5257025

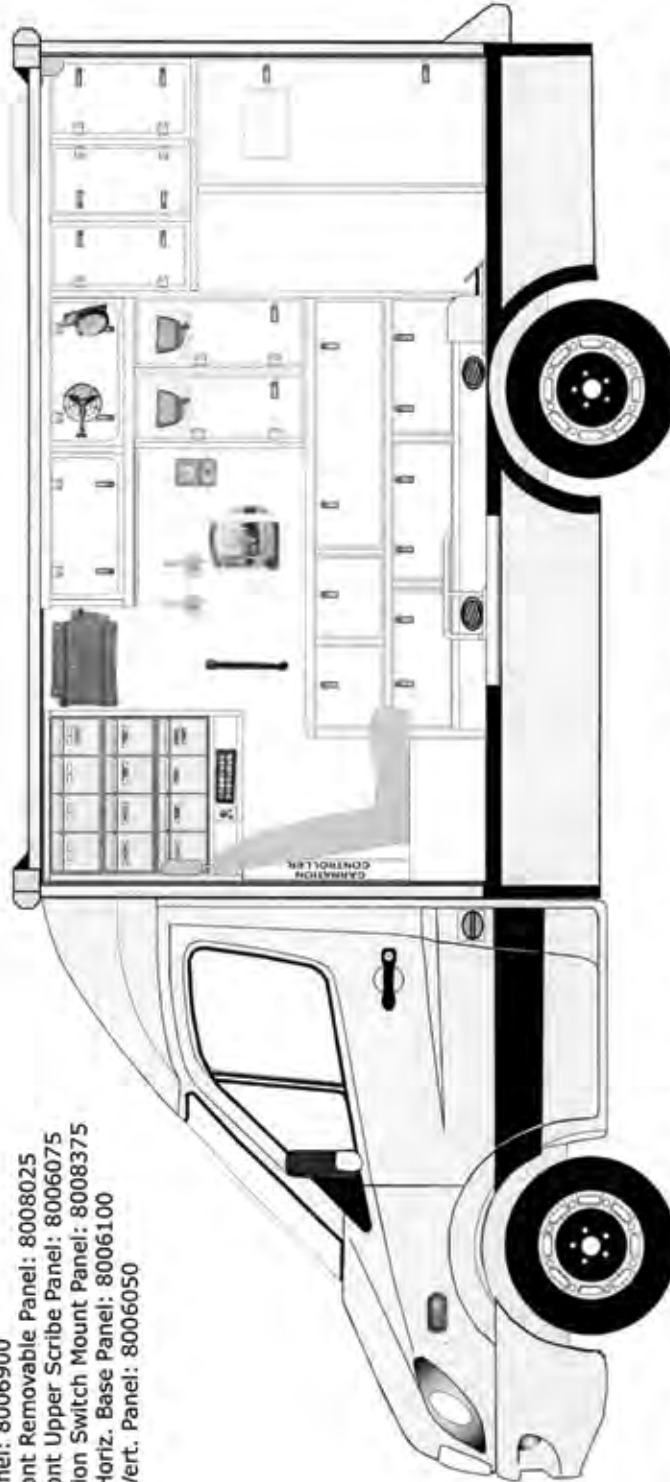
**R/H Front Upper Cabinet
(Slingsby Bins & Electrics):**
Assy. Complete: 8004925
Bottom Panel: 8006175
R/H Panel: 8006900
L/H Front Removable Panel: 8008025
L/H Front Upper Scribe Panel: 8006075
Carnation Switch Mount Panel: 8008375
Inner Horiz. Base Panel: 8006100
Inner Vert. Panel: 8006050

R/H Cantrail Cabinet:
Assy. Complete: 8004975
Door Panel: 8006525
Side Panel: 8006975
Lower Partition Panel: 8006550
Gas Spring: 513990
Fix. Brkt, Gas Spring: 5223875

Rear Cabinet, RHS Lower:
Assy. Complete: 8005025
Oxy. Door Panel: 8006650
L/H Front Panel: 8006700
R/H Front Panel: 8007800
Side Panel: 8007900
Partition Panel: 8006775
Oxy. Gauge View Window:

Grab Rail, Action Wall, RHS:
Rail: 7600475
Tee Socket: 5223050
Blanking Grommet: 7585525

Rear Cabinet, RHS Upper:
L/H & Mid Door Panel: 8006675
R/H Door Panel: 8007875
Shelf Panel: 8007800
Side Panel: 8007925
Partition Panel: 8006775



R/H Front Lower Cabinet
Assy. Complete: 8004900
Door OPanel: 8005975
Front Panel: 8006025
Top Panel: 8006000
Scribe Panel 600x12: 8006550
Scribe Panel 205x12: 8007575

Clinical & Domestic Waste Bin Cabinet
Assy Complete: 800500
L/H Door Panel: 8006575
R/H Door Panel: 8007950
Cat Flap: 7509350
Side Panel: 8007900

Sharps Bin:
Fixing Bracket: 12251225
Plinth: 12251250
Securing Bungee: 7600750

R/H Waist-High Cabinet:
Assy Complete: 8004950
Top R/H Door Panel: 8006200
Top Mid Door Panel: @ 8006225
Top L/H Door Panel: 8006250
Centre Mid & R/H Panel: 8006275
Centre L/H Door Panel: 8005375
Bottom Front Panel: 8006450
Top Panel: 8006475
Side Panel: 8007925
Top L/H Cupboard Plinth: 8005450

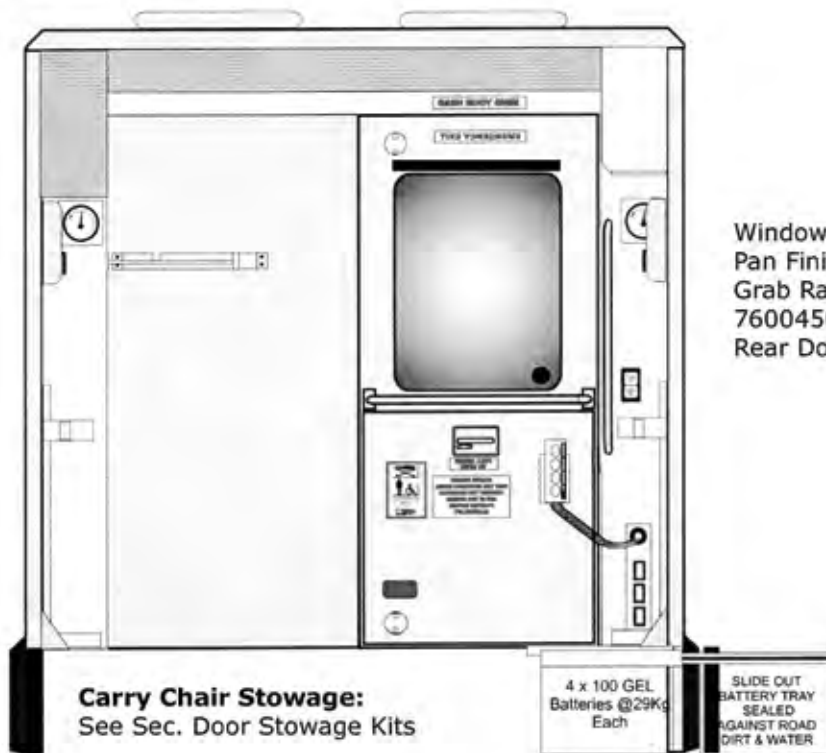
R/H Waist-High Cabinet Contd.
Shelf support Panel: 8006625
Top Shelf Panel: 8006300
Bottom R/H Shelf Panel: 8006325
Bottom Centre Shelf Panel: 8006350
Bottom L/H Shelf Panel: 8006375
Upper Partition Panel: 8006400
Lower Partition Panel: 8006425

MODULAR 515 TYPE AMBULANCE Internal Components (Rear Bulkhead)

Bump Pads

Rear Door: 14251700
Corner Piece: 9002050

Cassette Blind:
7508025



Window: 7505925
Pan Finisher: 7515150
Grab Rail (Rear Door Pillar):
7600450
Rear Door: 7600425

Carry Chair Stowage:
See Sec. Door Stowage Kits

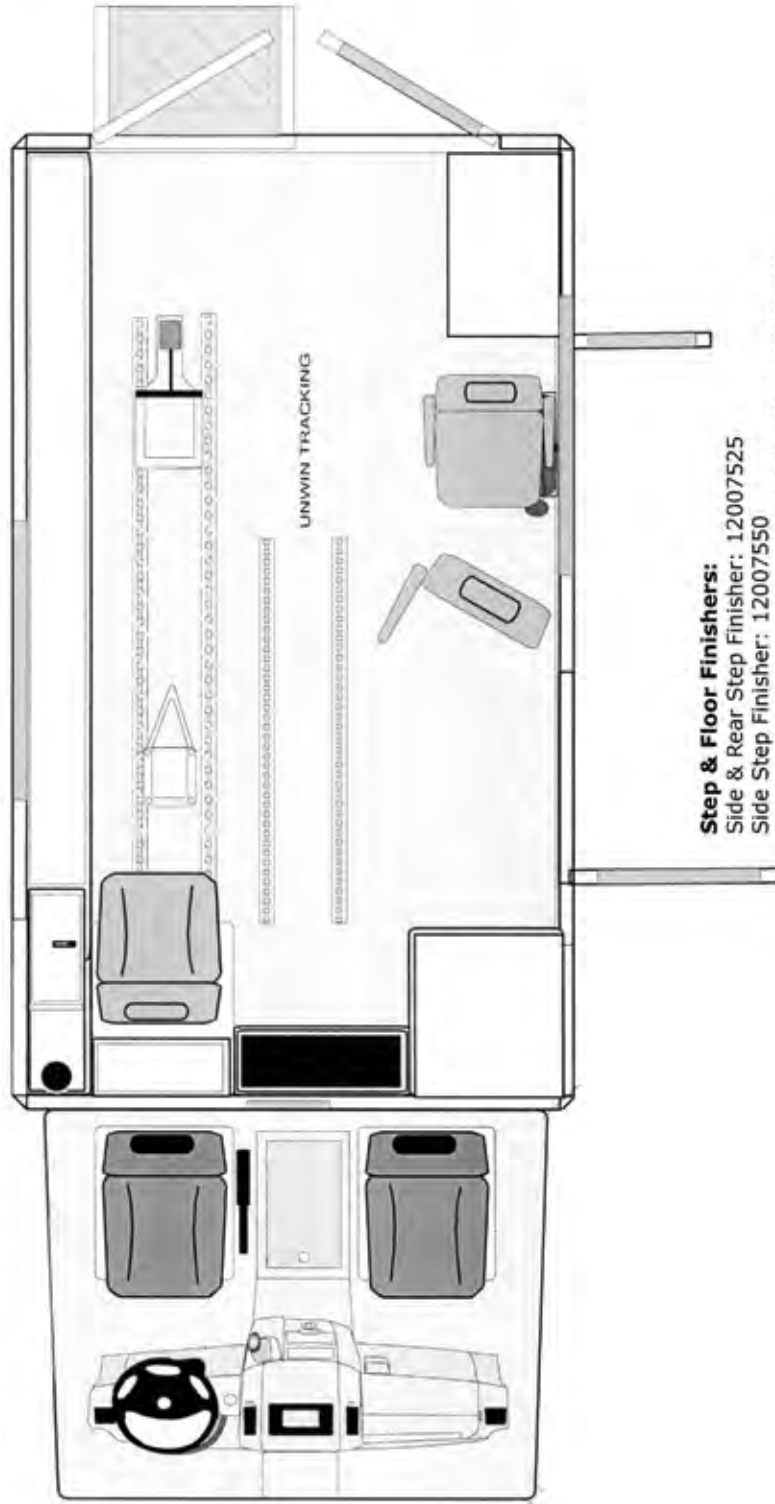
4 x 100 GEL
Batteries @29Kg
Each

SLIDE OUT
BATTERY TRAY
SEALED
AGAINST ROAD
DIRT & WATER

Battery Drawer: See Battery Stowage Section

MODULAR 515 TYPE AMBULANCE Interna Components (Floor)

- Cab:**
 L/H Floor Finisher (Barley Seed): 9001525
 L/H Inner Floor Finisher: 9001600
 L/H Outer Floor Finisher: 9001625
 R/H Floor Finisher (Barley Seed): 9001550
 R/H Inner Floor Finisher: 9001575
 R/H Outer Floor Finisher: xxxxxxx
 Cab Floor Panel (Ply): 7757050
 Cab Floor Covering: 7757075
 Cab Floor Cover Plate: 7757100
- Floor Tracking:**
 Heavy Duty Inset Track A007/CB 8mm: 5278175
 Low-Profile End Cap (Plastic) P102: 5063775
 Rubber Insert 24" Long P103 Wavey Insert: 5063800
 Balloon Pump Retention System: 12250975
- Floor:**
 Panel (Ply): 7756800
 Floor Covering (Polysafe Supervega): 7580725
- Heater, Eberspacher 7328. (Under Floor, RHS):**
 Chassis Kit: 1075147
 Heater Kit: 10751500



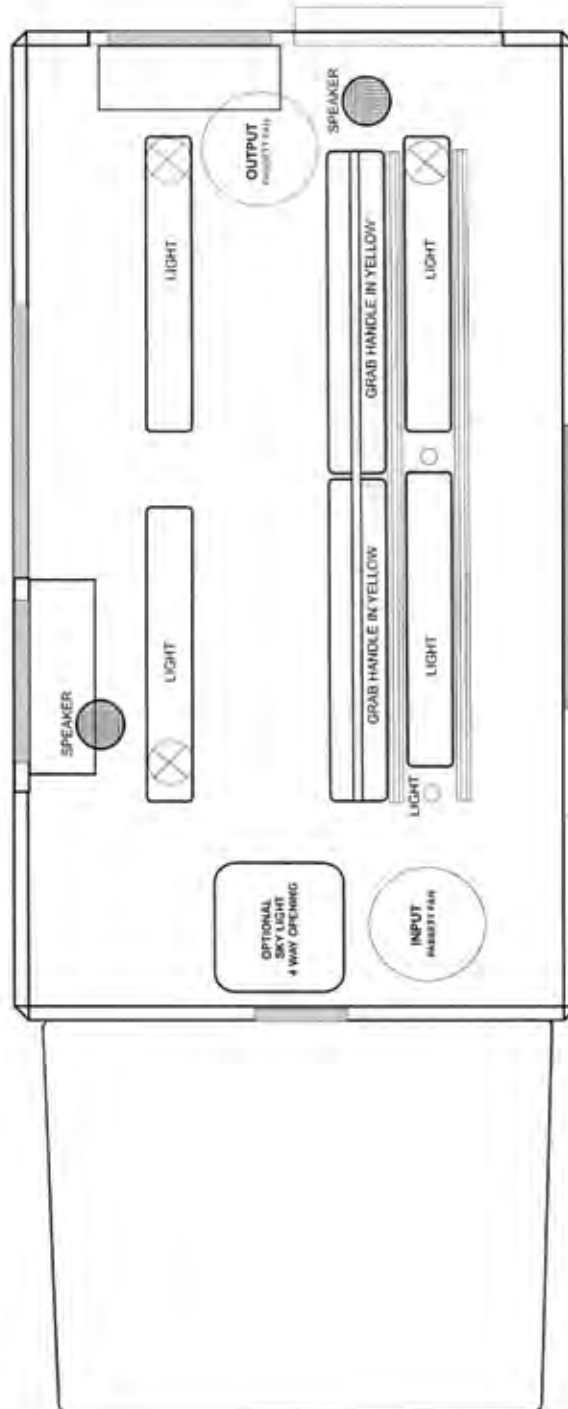
- Step & Floor Finishers:**
 Side & Rear Step Finisher: 12007525
 Side Step Finisher: 12007550
 Finisher (Side Step Well, Long) Barley Seed: 12007275
 Finisher (Side Step Well, Short) Barley Seed: 12007300
 Edging (Rear Step Well) Barley Seed: 12007325
 Finisher (Rear Floor): 7757550
 Tiger Stripe Infill (Yellow/Black) Cut To Length: 3500275
 Tiger Stripe Carrier (Side & Rear Step Well & Lift Floor) Cut To Length: 12007250
 Tread Pad (Side Step, Top): 12008175
 Tread Pad (Side Step, Bottom): 12008200
 Tread Pad (Rear Step, Top): 12008225
 Tread Pad (Rear Step, Bottom): 12008250

MODULAR 515 TYPE AMBULANCE Internal Components (Roof)

Aerials:
Aerial Base C/W Co-Ax Cable: 5040500
Aerial Whip: 5040425
Sat. Nav. Antenna GPS Body Mount C/W 6mtr Cable: 7573200

Speakers:
Grey: 7593050
Black: 8794025

Pacel Fans:
Intake (Yellow): 7250775
Extract: 7250750



Grab Rail (Ceiling): 7503100
Strap (Grab Rail): 14001500

Infusion Rail: 5216950

Saloon Lights:
Eyeball Spot (Brushed Alu): 5314875
Ceiling Lamp C/W Blue Trauma: 7545050

MODULAR 515 TYPE AMBULANCE Spare Parts Catalogue Revision June 2010

