



A Series - Spare Parts Catalogue

For A Series Models:

A2 / 2+2 / H2 / H8 / GC / PC

A4 / 4+2 A8 / 8+3

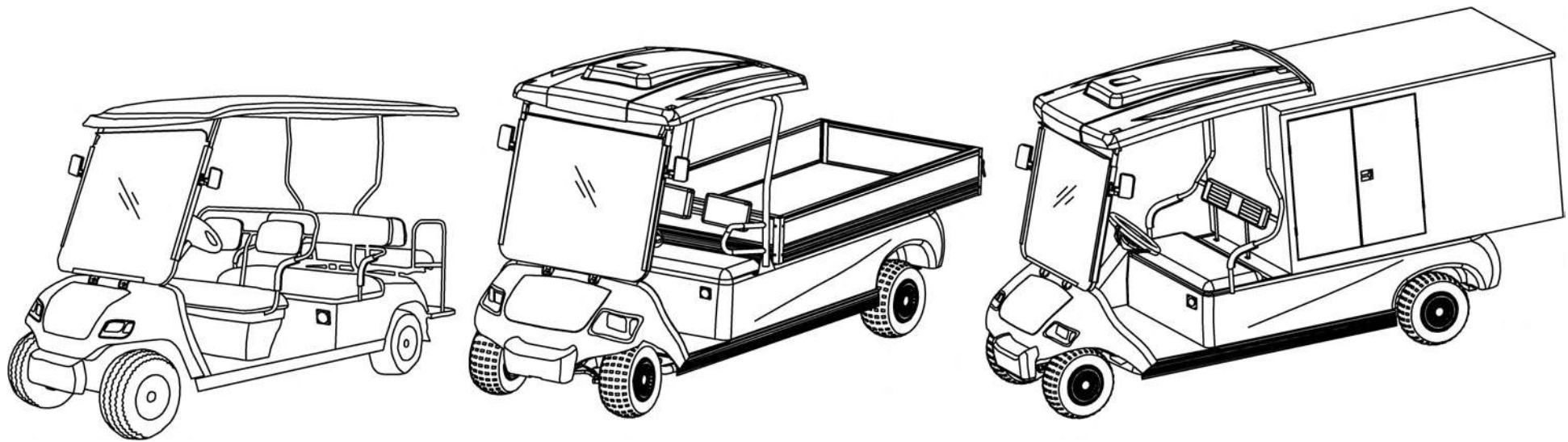
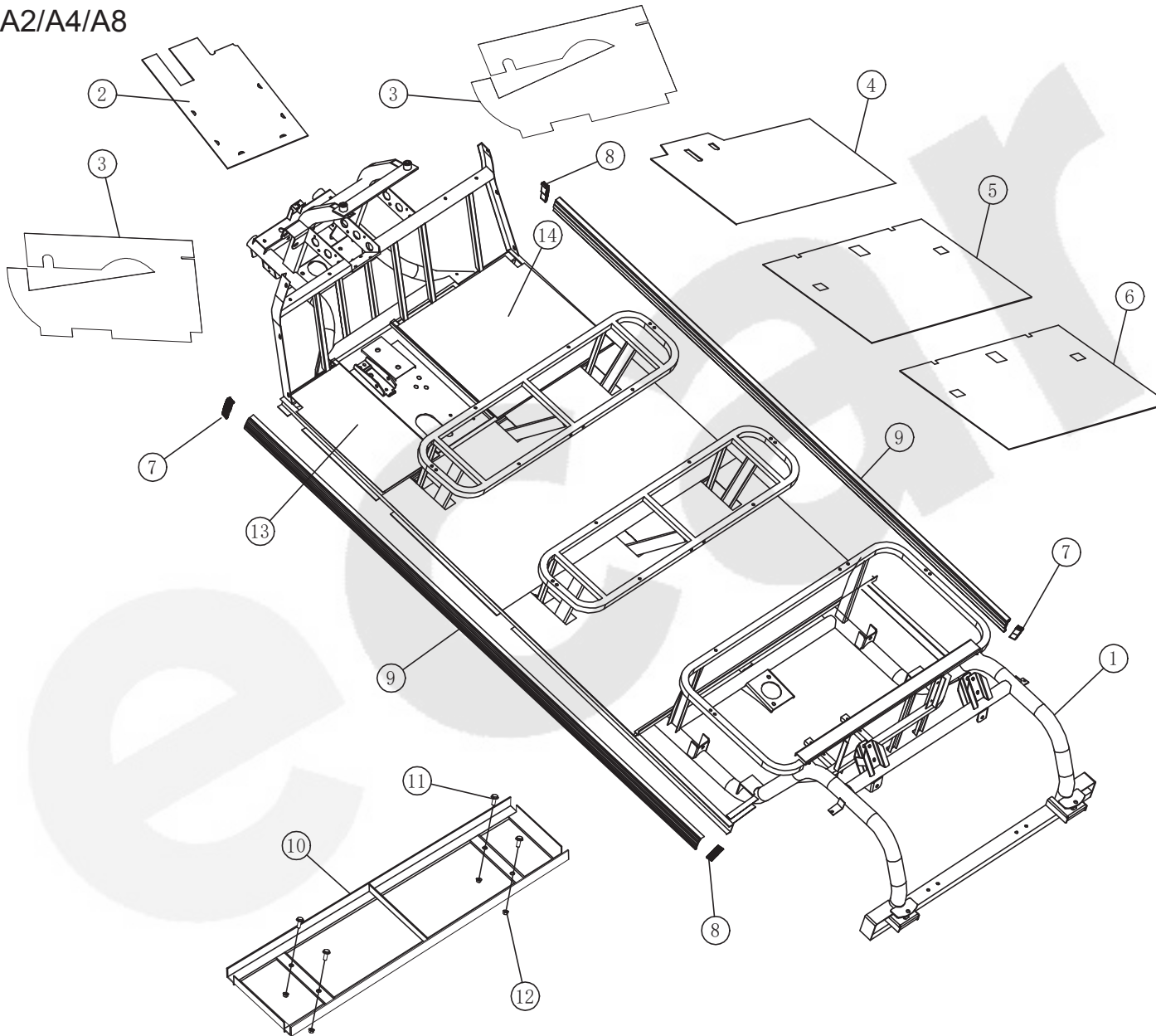


Table of Contents

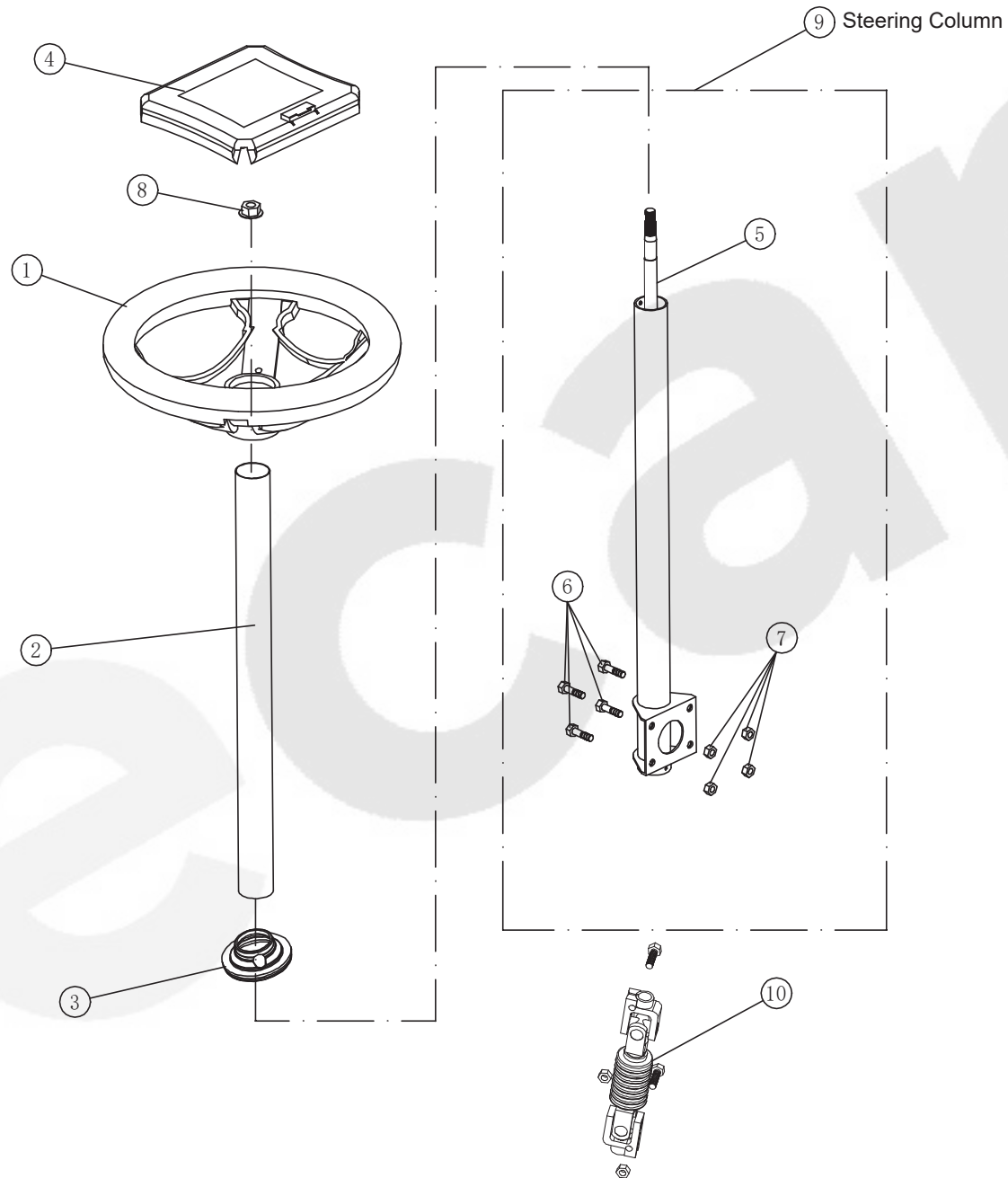
Page #	Part Collection	Models	Page #	Part Collection	Models
1	Chassis Frame (1)	A2/A4/A8	21	Top Roof (3)	A2.H2/H8
2	Chassis Frame (2)	A2.H2/H8/PC/GC	22	Top Roof (4)	A2.GC
3	Steering System (1)	Wheel / Column	23	Foldable Windshield	
4	Steering System (2)	Assembly / Ball Joints	24	Seat (1)	A2/2+2
5	Front Suspension		25	Seat (2)	A4/4+2
6	Rear Suspension		26	Seat (3)	A8/8+3
7	Transaxle System (1)	Main Parts	27	Rear Seat	
8	Transaxle System (2)	N/A Parts	28	Foldable Rear Seat	
9	DC Motor System		29	Rear Bumper	
10	AC Motor System		30	Golf Bag Parts	
11	Brake System	Front Disc Rear Drum	31	Caddie Plate	
12	Front Bumper		32	Swiss Box Parts	
13	Front Body Cover		33	Battery System (1)	External Charger
14	Dashboard		34	Battery System (2)	Built-In Charger
15	Rear Body Cover (1)	A Series	35	AC Electronics	48V 1234E Toy. AC/Sep.
16	Rear Body Cover (2)	A2.H2	36	DC Electronics (1)	48V 1266A Sep. System
17	Rear Body Cover (3)	A2.H8/GC	37	DC Electronics (2)	48V 1268 Sep. System
18	Rear Body Cover (4)	A2.PC	38	AC Wire Harness	48V Toyota AC System
19	Top Roof (1)	A2	39	DC Wire Harness (1)	A2/A4/A8 48V
20	Top Roof (2)	A2+2/4/4+2/8/8+3	40	DC Wire Harness (2)	H8 48V 1266A/1268

For Models:
A2/A4/A8



 **Chassis Frame (1)**

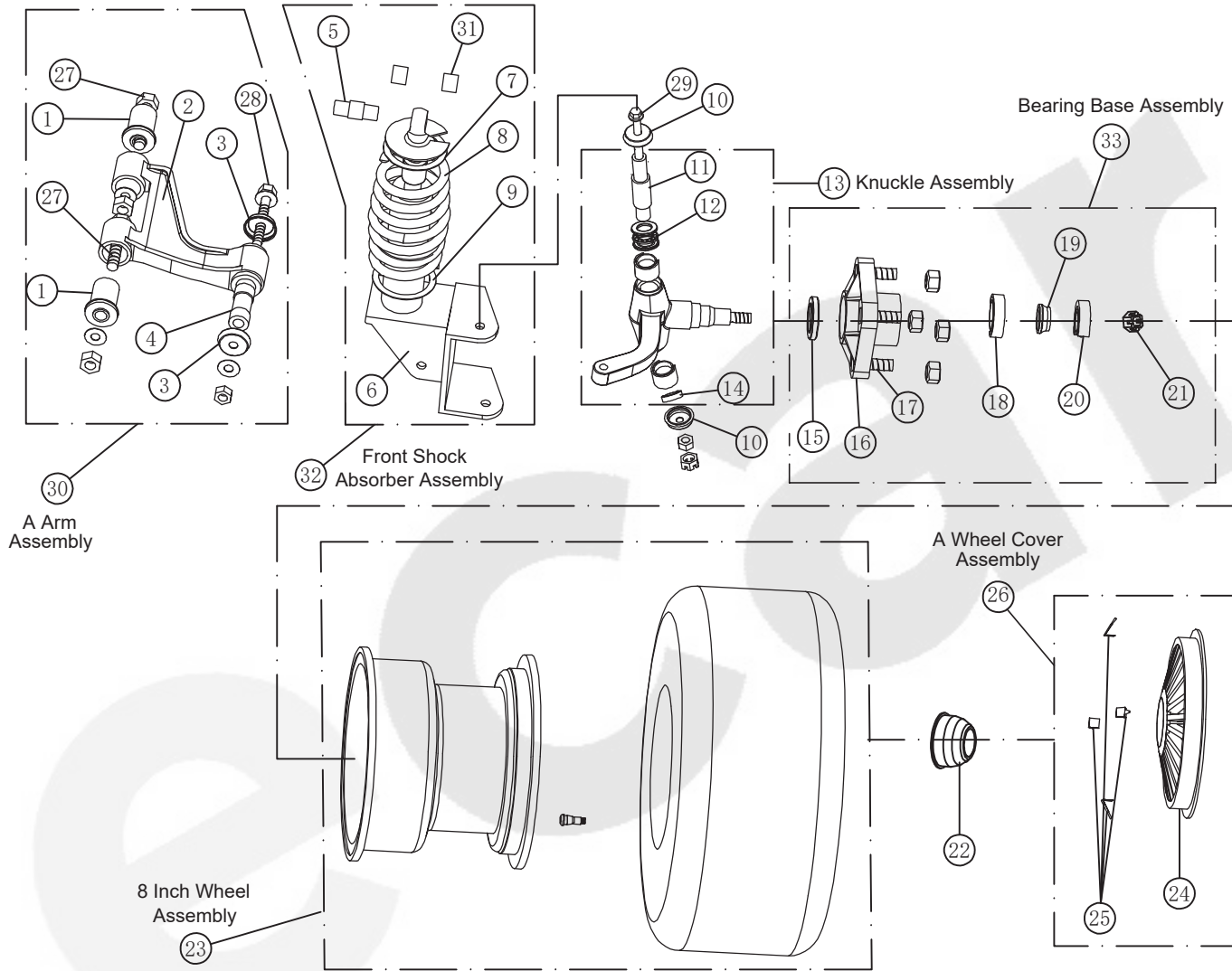
NO:	Code	Name	QTY	Remark
1	2.01.004.010002	A2 Chassis Frame	1	A2/A2+2
	2.01.004.010042	A4 Chassis Frame	1	A4/A4+2
	2.01.004.010076	A8 Chassis Frame	1	A8/A8+3
2	2.01.004.010211	Inspection Cover	1	
3	3.02.014.000037	Fender Rubber	2	
4	2.02.007.010001	A2 Floor Plate	1	A2/A2+2
	2.02.007.010004	A4 Front Floor Plate	1	A4/A4+2
	2.02.007.010007	A8 Front Floor Plate	1	A8/A8+3
5	2.02.007.010008	A8 Middle Floor Plate	1	A8/A8+3
6	2.02.007.010003	A4 Back Floor Plate	1	A4/A4+2
	2.02.007.010006	A8 Back Floor Plate	1	A8/A8+3
7	3.02.014.100001	AS Side Cover Sheet Plug/L	2	
8	3.02.014.100002	AS Side Cover Sheet Plug/R	2	
9	2.01.006.200006	A2 Aluminum Side Cover Sheet	2	A2/A2+2
	2.01.006.200007	A4 Aluminum Side Cover Sheet	2	A4/A4+2
	2.01.006.200008	A8 Aluminum Side Cover Sheet	2	A8/A8+3
10	2.01.004.010099	H2 Battery Holder	1	8V
	2.01.004.010220	6V Battery Holder	1	6V
11	3.01.003.060005	Flange Screw	4	
12	3.01.003.100013	Flange Locknut	4	
13	2.01.004.010418	Inspection Cover	1	
14	2.01.004.010419	Inspection Cover	1	



Steering System (1)

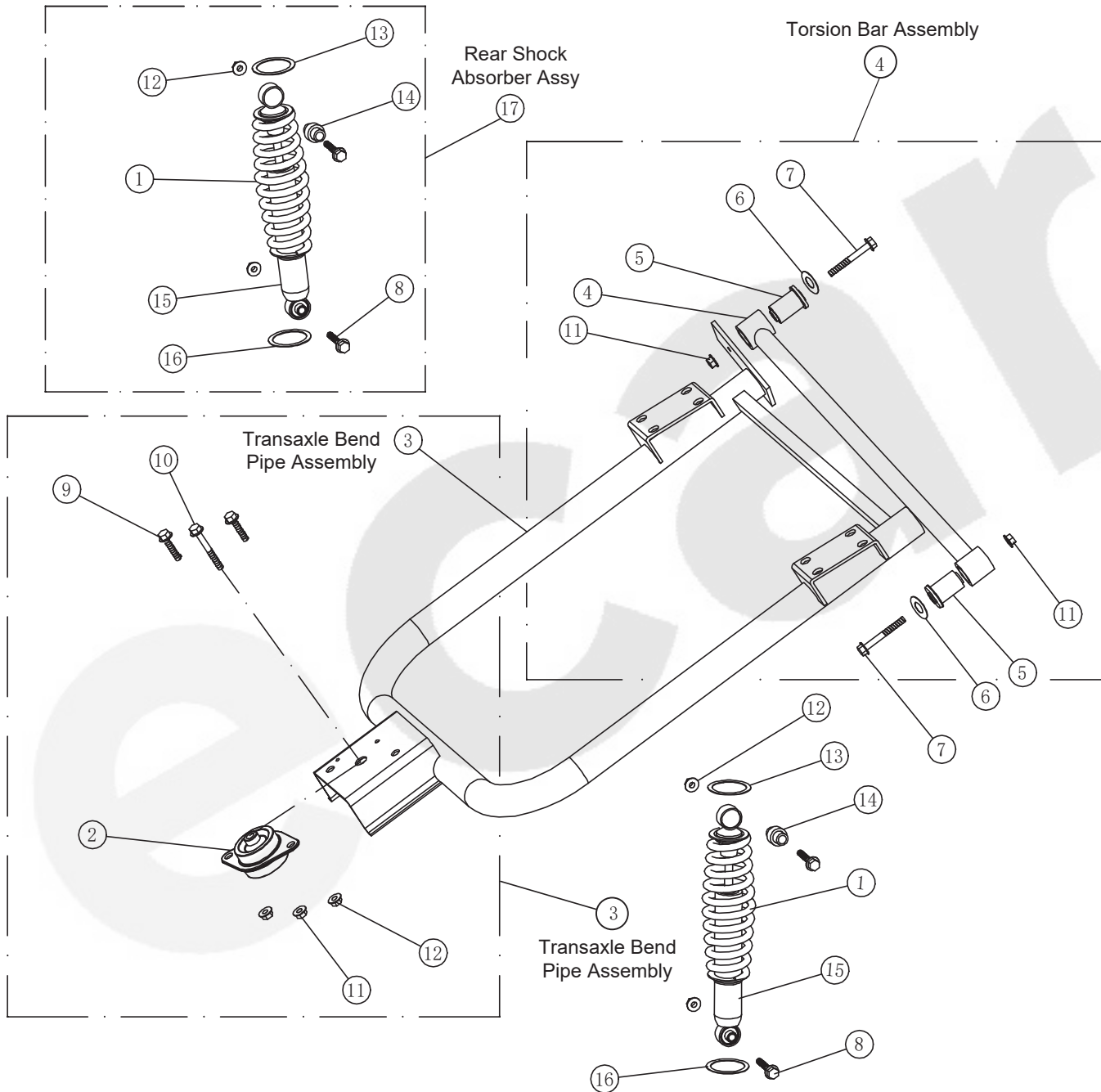
NO:	Code	Name	QTY	Remark
1	3.01.004.070001	Steering Wheel	1	
	2.03.002.000001	Steering Wheel	1	
	3.01.004.070004	Steering Wheel	1	Momo-8901
	3.01.004.070066	Steering Wheel	1	AK8901
	3.01.004.070046	Steering Wheel	1	350
2	2.01.004.010278	Column Cover Long	1	
	3.02.014.000099	Column Cover Long (Black)	1	575mm
3	3.02.014.000109	Column Cover	1	
4	3.02.014.000036	Card Holder	1	E-Car
	3.02.014.000038	Card Holder	1	LT
	3.02.014.000260	Card Holder	1	Logo
5	3.01.004.070018	Rod Steering	1	
6	3.01.003.060006	Flange Screw	4	M8*20
7	3.01.003.100014	Flange Locknut	4	M8
8	3.01.003.100017	Flange Locknut	1	M14
9	3.01.004.070014	Steering Column	1	
	3.01.004.070059	Steering Column	1	(EEC)
10	3.01.004.070020	Universal Joint	1	A

Front Suspension



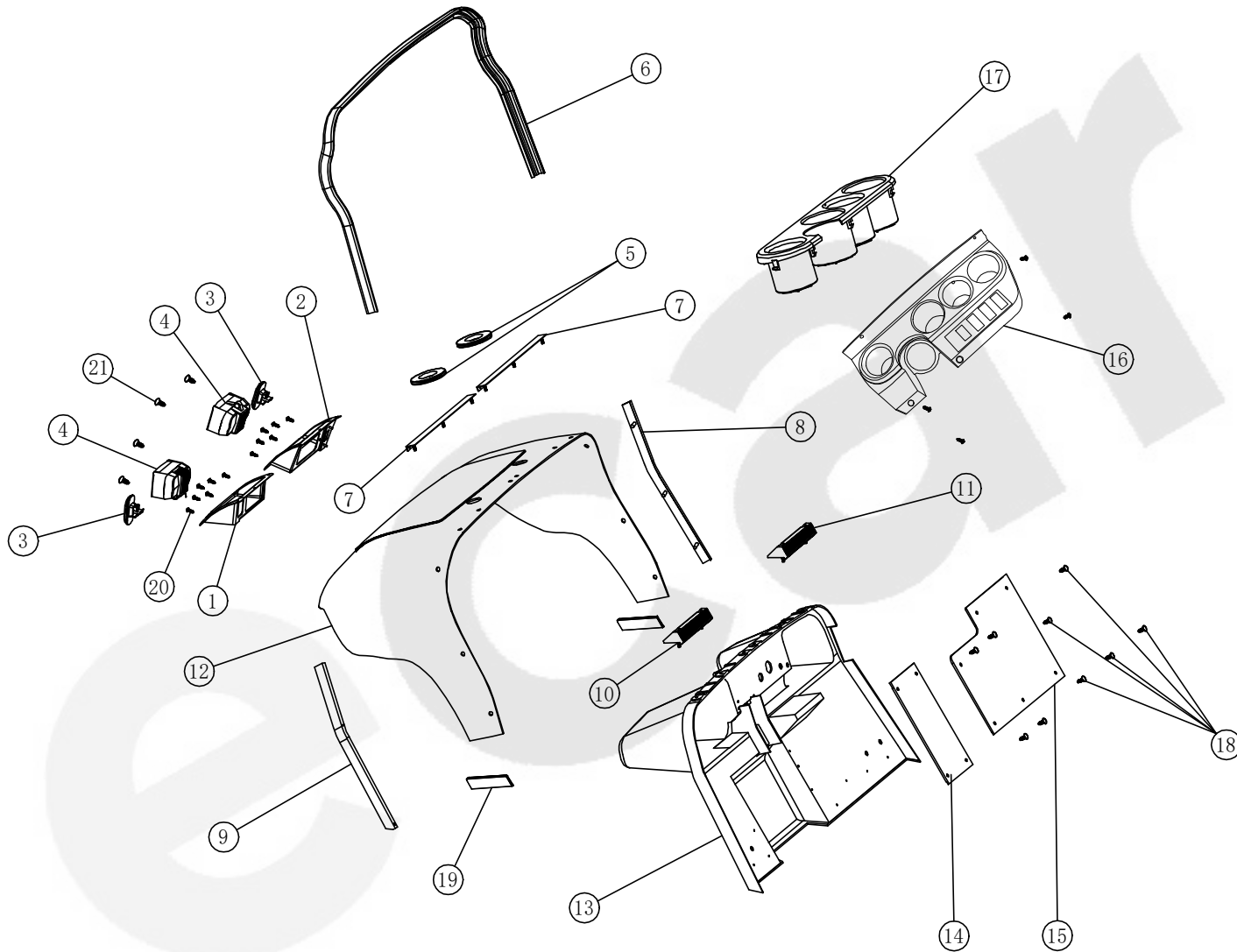
NO:	Code	Name	QTY	Remark
1	3.01.004.070021	Bush	4	2 Each Side
2	3.01.005.010008	Arm	2	1 Each Side
3	3.01.004.070024	Arm Seal	4	2 Each Side
4	3.01.004.070023	Arm Shaft	2	1 Each Side
5	3.01.004.080004	Front Shock Absorber Up Bush	2	1 Each Side
6	3.01.004.080002	Front Shock Absorber/L	1	
	3.01.004.080001	Front Shock Absorber/R	1	
7	3.02.014.000081	Front Shock Absorber Up Rubber	2	1 Each Side
8	3.01.004.080013	A2 Front Spring	2	A2/2+2
	3.01.004.080015	A4 Front Spring	2	A4/4+2
	3.01.004.080017	A8 Front Spring	2	A8
	3.01.004.080019	A11 Front Spring	2	A8+3/H2/H8 A2.PC/GC
9	3.02.014.000082	Front Shock Absorber Down Rubber	2	1 Each Side
10	3.02.014.000110	Knuckle Shaft Seal/Big	4	2 Each Side
11	3.01.004.070022	Main Washer	2	1 Each Side
12	3.01.004.900019	51103 Bearing	2	
	3.01.005.010006	Knuckle Assy/L	1	
13	3.01.005.010007	Knuckle Assy/R	1	
	3.01.004.090013	MK120/20 Bearing	2	1 Each Side
14	3.01.004.090005	Bearing Base Seal	2	1 Each Side
15	3.01.005.010009	Bearing Base	2	1 Each Side
16	3.01.003.070006	C Wheel Screw	8	4 Each Side
17	3.01.004.090001	6005 Bearing	2	1 Each Side
18	3.01.004.090004	Bearing Cover	2	1 Each Side
19	3.01.004.090002	6204 Bearing	2	1 Each Side
20	3.01.003.070010	S14 Knuckle Nut	2	1 Each Side
21	3.02.010.000016	Hub Cover	2	1 Each Side
23	3.02.001.000030	(4P) 8 Inch Wheel Assy	2	A2/2+2/4
	3.02.001.000034	(6P) 8 Inch Wheel Assy	2	A4+2/B/8+3/H2 A2.H8/GC/PC
24	3.02.001.000019	Wheel Cover/Small/Black	2	1 Each Side
25	2.01.001.010221	Wheel Cover Knot	8	4 Each Side
26	2.03.001.000008	A Wheel Cover Assy	2	1 Each Side
27	3.01.006.020045	GM12-75 Screw	4	2 Each Side
28	3.01.006.020044	GM12-85 Screw	2	1 Each Side
29	3.01.006.020046	GM10*140 Screw	2	
30	2.03.001.000006	A Arm Assembly	2	1 Each Side
31	3.02.014.000012	S4P Limiting Rubber Sieve	4	2 Each Side
32	2.03.001.000004	A2 Front Shock Absorber Assembly/L	1	A2/2+2
	2.03.001.000005	A2 Front Shock Absorber Assembly/R	1	A2/2+2
	2.03.001.000014	A4 Front Shock Absorber Assembly/L	1	A4/4+2
33	2.03.001.000015	A4 Front Shock Absorber Assembly/R	1	A4/4+2
2.01.004.010224	2.03.001.000017	A8 Front Shock Absorber Assembly/L	1	A8
	2.03.001.000018	A8 Front Shock Absorber Assembly/R	1	A8
Bearing Base Assembly	2.03.001.000020	A11 Front Shock Absorber Assembly/L	1	A8+3/H2/H8 A2.PC/GC
	2.03.001.000021	A11 Front Shock Absorber Assembly/R	1	A8+3/H2/H8 A2.PC/GC

Rear Suspension



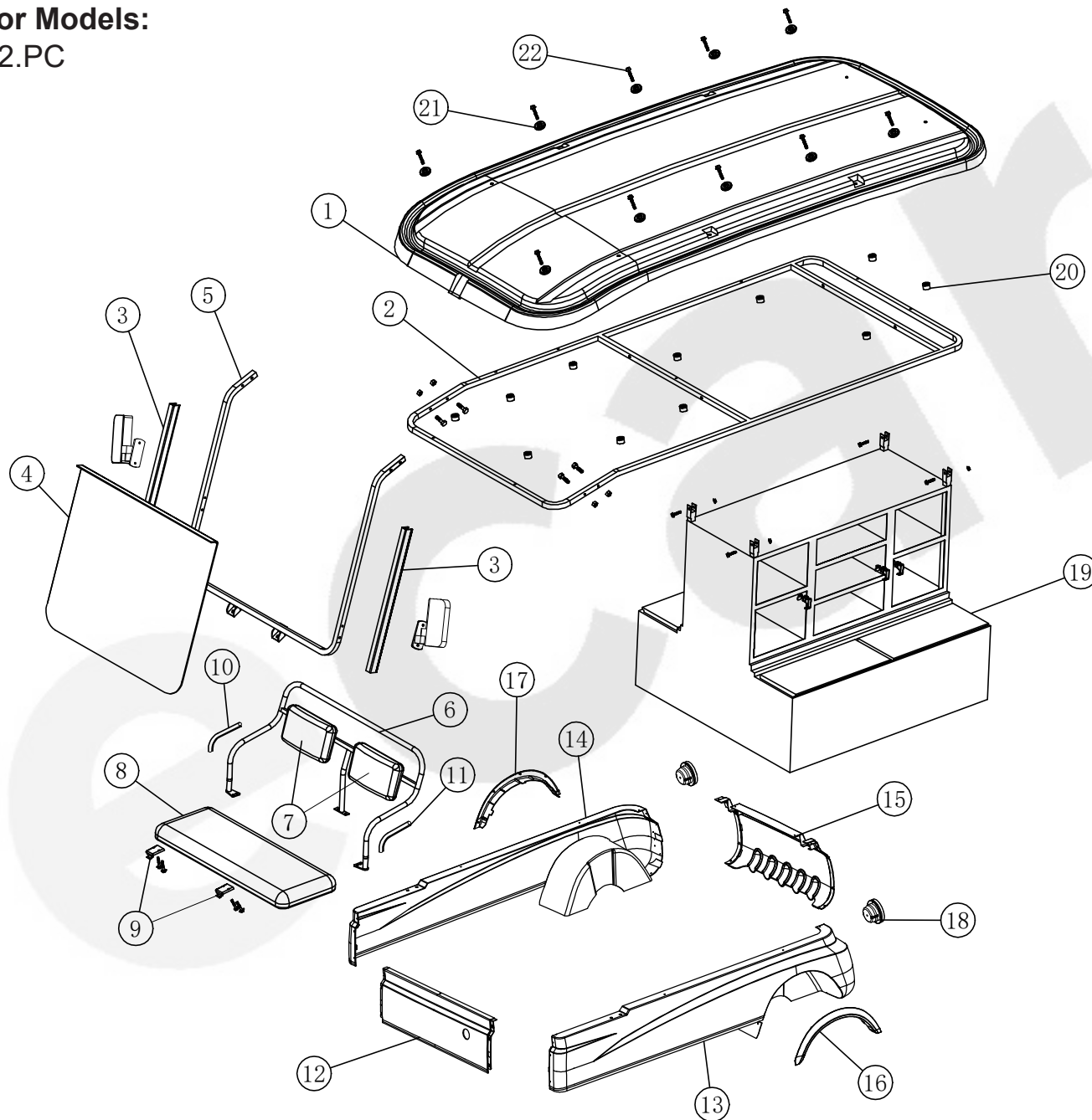
NO:	Code	Name	QTY	Remark
1	3.01.004.080012	A2 Rear Spring	2	A2
	3.01.004.080014	A4 Rear Spring	2	A2+2/A4
	3.01.004.080016	A8 Rear Spring	2	A4+2/A8
	3.01.004.080018	A11 Rear Spring	2	A8+3/H2/H8 A2.GC/PC
2	3.02.014.000069	Shock Absorb Rubber	1	
3	2.01.004.010196	Transaxle Bend Pipe Assembly	1	
4	2.01.004.010200	Torsion Bar Assembly	1	
5	3.01.004.070021	Suspension Bush	2	Ø13*50mm
6	3.01.003.080006	Gasket	2	3.0*20*37
7	3.01.003.060037	Flange Screw	2	12*70
8	3.01.003.060060	Flange Screw	4	10*1.25*50
9	3.01.003.060007	Flange Screw	2	10*1.25*20
10	3.01.003.060038	Flange Screw	1	12*1.25*80
11	3.01.003.100016	Flange Locknut	3	12mm
12	3.01.003.100015	Flange Locknut	6	M10
13	3.02.014.000053	Rear Shock Absorb Up Rubber Rim	2	44mm 55mm
14	3.01.004.080007	Rear Shock Absorb Bush	2	
15	3.01.004.080005	Rear Shock Absorber	2	
17	2.03.001.000009	A2 Rear Shock Absorber Assy	2	A2
	2.03.001.000016	A4 Rear Shock Absorber Assy	2	A2+2/A4
	2.03.001.000019	A8 Rear Shock Absorber Assy	2	A4+2/A8
	2.03.001.000022	A11 Rear Shock Absorber Assy	2	A8+3/H2/H8 A2.GC/PC

Front Body Cover



NO	Code	Name	QTY	Remark
1	3.02.014.000080	Front Head Light Base/L	1	
2	3.02.014.000079	Front Head Light Base/R	1	
3	3.03.001.000025	Turning Light	2	
4	3.03.001.000018	Front Head Light	2	
5	3.02.014.000083	Front Cover Rubber	2	
6	3.02.014.000084	Front Cover Edge Rubber	1	
7	2.01.004.010205	Front Cover Bar Iron/M	2	
8	2.01.004.010204	Front Cover Bar Iron/R	1	
9	2.01.004.010206	Front Cover Bar Iron/L	1	
10	3.02.009.000014	Presser Foot/Short	1	
11	3.02.009.000013	Presser Foot/Long	1	
12	2.02.001.010004	Front Cover	1	
13	3.02.014.000112	Dashboard Base	1	
14	3.02.009.000022	Dashboard Rubber/L	1	
15	3.02.009.000021	Dashboard Rubber/R	1	
16	3.02.014.000051	Korea Cup Base	1	
17	3.02.014.000096	Cup Base	1	
	3.02.014.000229	Cup Base	1	475*135*125
18	3.02.014.000113	Rivet	10	C104
19	3.02.014.000202	Front Cover Rubber	0.18	
20	3.02.014.100003	Setscrew	12	Φ6.0*16.5
21	3.01.003.110006	Screw	4	4*25

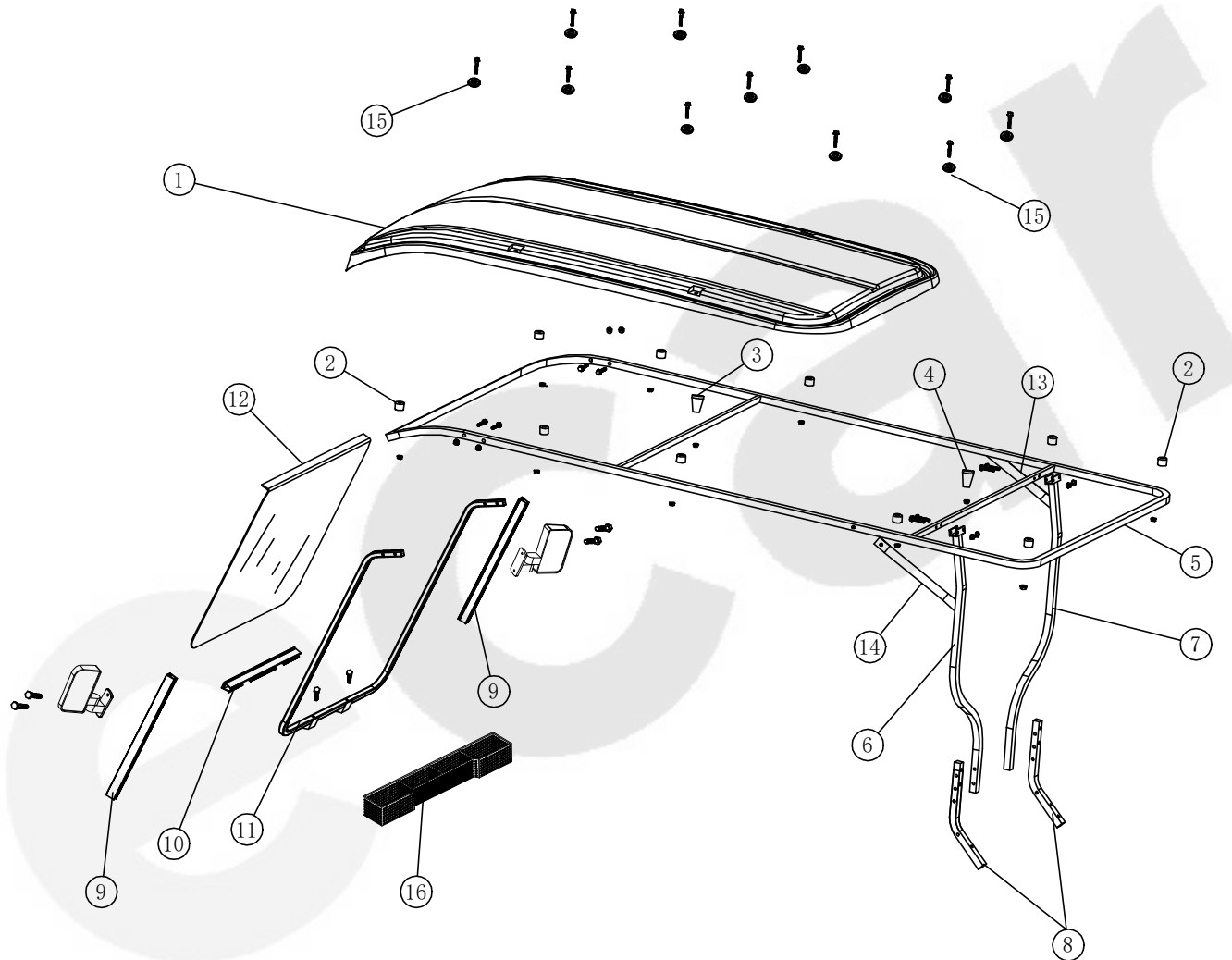
For Models:
A2.PC



Rear Body Cover (4)

NO	Code	Name	QTY	Remark
1	2.02.002.010020	A8 Top Roof	1	
2	2.01.004.030007	H2 Picnic Car Roof Support	1	
3	3.02.012.000040	Windshield Retain Clip	2	730mm
4	3.02.012.000009	A4 Windshield	1	1044mm*875mm
5	2.01.004.010043	A4 Windshield Support	1	
6	2.01.004.030008	H2 Picnic Car Seat Back Cushion	1	
7	3.02.006.000012	A4 Short Seat Back Cushion	2	
8	3.02.005.000025	H2 Seat	1	
9	2.01.001.010280	Seat Up Buckle	2	
10	3.02.014.000117	Armrest Cover-R	1	
11	3.02.014.000118	Armrest Cover-L	1	
12	2.02.001.020019	H2 Rear Cover/Front	1	
13	2.02.001.020044	H2 Rear Cover/L	1	
14	2.02.001.020033	H2 Rear Cover/R	1	
15	3.02.005.020005	H2 Rear Cover/Rear	1	
16	3.02.014.000056	Rear Tire Decoration Cover/L	1	
17	3.02.014.000055	Rear Tire Decoration Cover/R	1	
18	3.03.001.000009	Tail Light	2	
19	2.01.004.020195	H2 Picnic Box	1	
20	3.02.011.000041	Top Roof Rubber Column	10	
21	3.02.011.000040	Top Roof Rubber Collar	10	
22	3.01.003.060031	Flange Screw	10	8*60

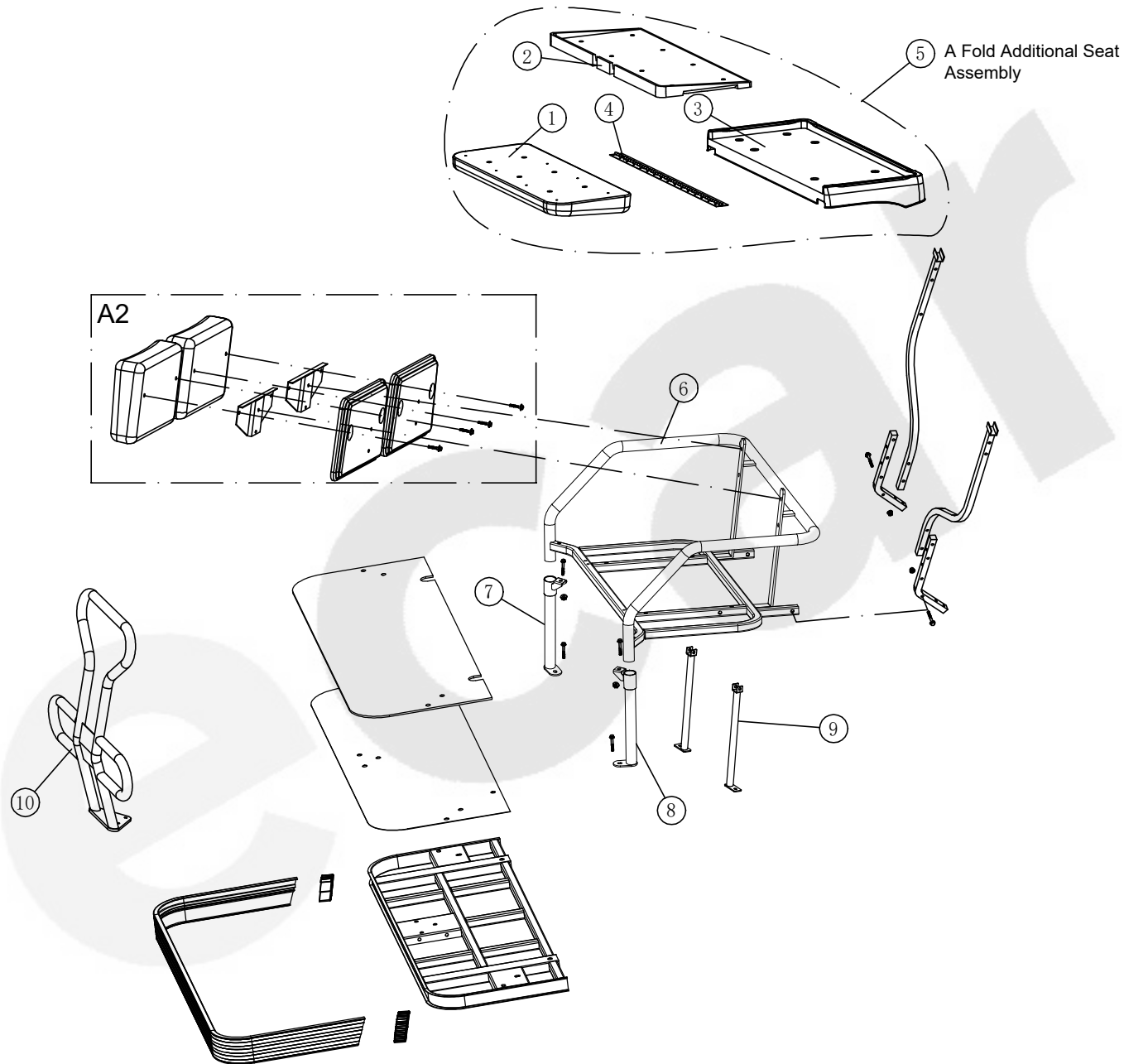
For Models:
A2+2/4/4+2/8/8+3



Top Roof (2)

NO	Code	Name	QTY	Remark
1	2.02.002.010019	A4 Top Roof	1	A2+2/4
	2.02.002.010020	A8 Top Roof	1	A4+2/8
	2.02.002.010021	A11 Top Roof	1	A8+3
2	3.02.011.000041	Top Roof Rubber Column	8	A2+2/4
			10	A4+2/8
			12	A8+3
3	3.02.011.000037	Top Roof Rubber Column	1	65mm(A8+3)
4	3.02.011.000036	Top Roof Rubber Column	1	55mm (A4+2/8/8+3)
5	2.01.004.010016	A2+2 Top Roof Support	1	A2+2
	2.01.004.010050	A4 Top Roof Support	1	A4
	2.01.004.010056	A4+2 Top Roof Support	1	A4+2
	2.01.004.010082	A8 Top Roof Support	1	A8
	2.01.004.010093	A11 Top Roof Support	1	A8+3
6	2.01.004.010010	A2 Top Roof Rear Seat Support Up/Lt	1	A2+2
	2.01.004.010048	A4 Top Roof Rear Support Up/L	1	A4/4+2
	2.01.004.010079	A8 Top Roof Rear Support Up/L	1	A8/8+3
7	2.01.004.010009	A2 Top Roof Rear Seat Support Up/R	1	A2+2
	2.01.004.010047	A4 Top Roof Rear Support Up/R	1	A4/2+2
	2.01.004.010078	A8 Top Roof Rear Support Up/R	1	A8/8+3
8	2.01.004.010008	A2 Top Roof Rear Support/Down	2	A2+2
	2.01.004.010049	A4 Top Roof Rear Support/Down	2	A4/4+2/8/8+3
9	3.02.012.000038	(600) Windshield Retain Clip	2	A2+2/4
	3.02.012.000040	(730) Windshield Retain Clip	2	A4+2/8/8+3
10	2.01.001.010331	Windshield Retain Clip	1	650mm
11	2.01.004.010043	A4 Windshield Frame	1	
12	3.02.012.000009	A4 Windshield	1	1044*875mm
13	2.01.004.010159	A4+2 Top Roof Fix Plate/R	1	A4+2
	2.01.004.010080	A8 Top Roof Fix Plate/R	1	A8/8+3
14	2.01.004.010160	A4+2 Top Roof Fix Plate/L	1	A4+2
	2.01.004.010081	A8 Top Roof Fix Plate/L	1	A8/8+3
15	3.02.011.000040	Top Roof Rubber Collar	8	A2+2/4
			11	A4+2/8
			14	A8+3
16	2.01.004.010059	A4Front Basket	1	A2+2/4

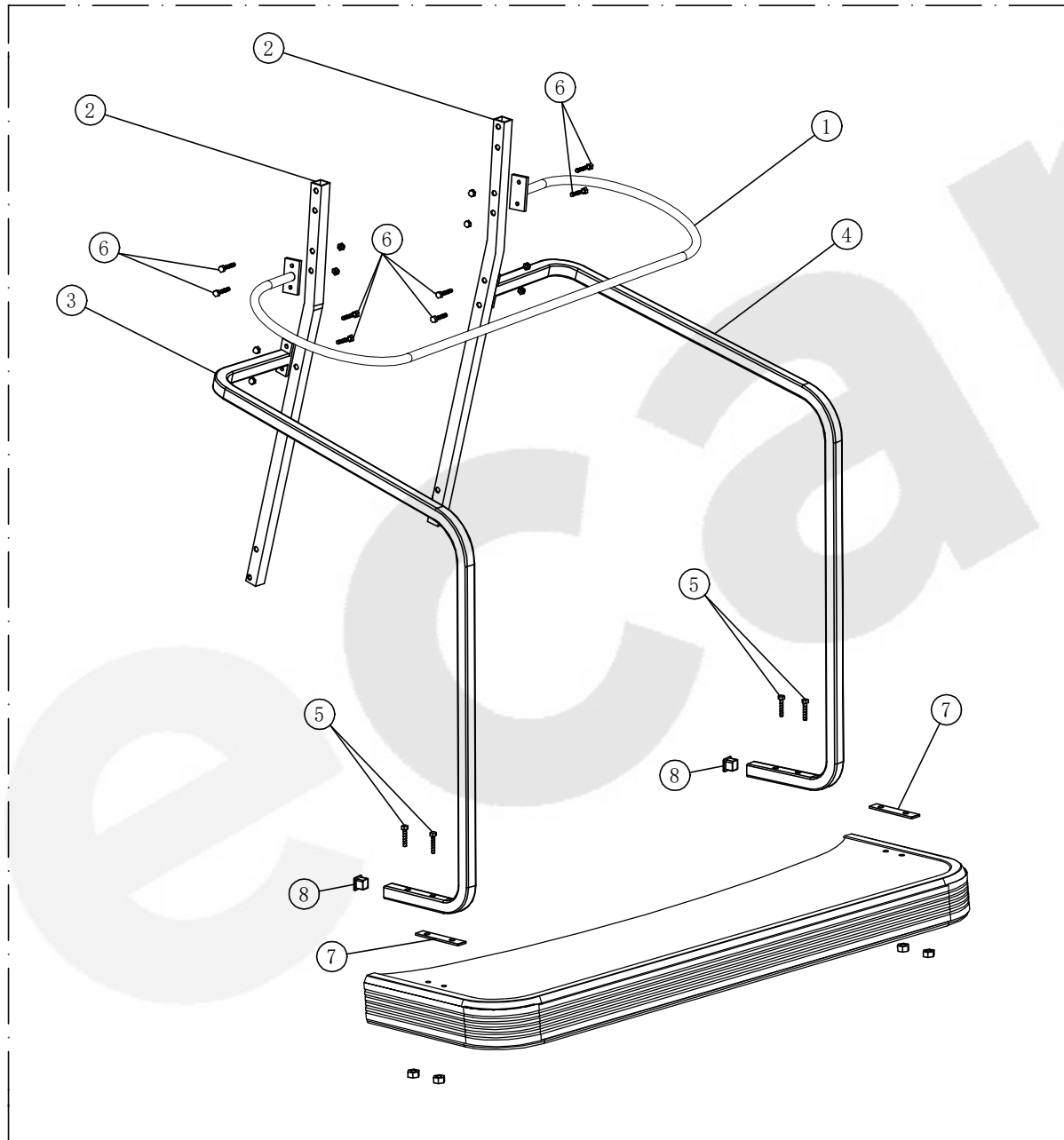
Foldable Rear Seat



NO	Code	Name	QTY	Remark
1	3.02.005.000157	A Foldable Rear Seat Cushion	1	
	3.02.005.000158	A Foldable Rear Seat Cushion	1	Dupione done
2	3.02.011.300089	A627 Foldable Rear Seat Under Cover	1	
3	3.02.011.300097	A627 Foldable Rear Seat Bottom Plate	1	
4	3.01.006.900119	Stainless Steel Hinge	1	940*51.6*1.5t
5	3.02.005.000156	A Fold Additional Seat Assembly	1	
	3.02.005.000154	A Fold Additional Seat Assembly	1	
6	2.01.004.010368	A Fold Additional Seat Fix Plate	1	
7	2.01.004.010357	A Padel Underframe Rear Support/L	1	
8	2.01.004.010360	A Padel Underframe Rear Support/R	1	
9	2.01.004.010345	Foldable Rear Seat Support	2	
10	2.01.004.010359	A Foldable Rear Sea Rear Armrest	1	



Caddie Plate

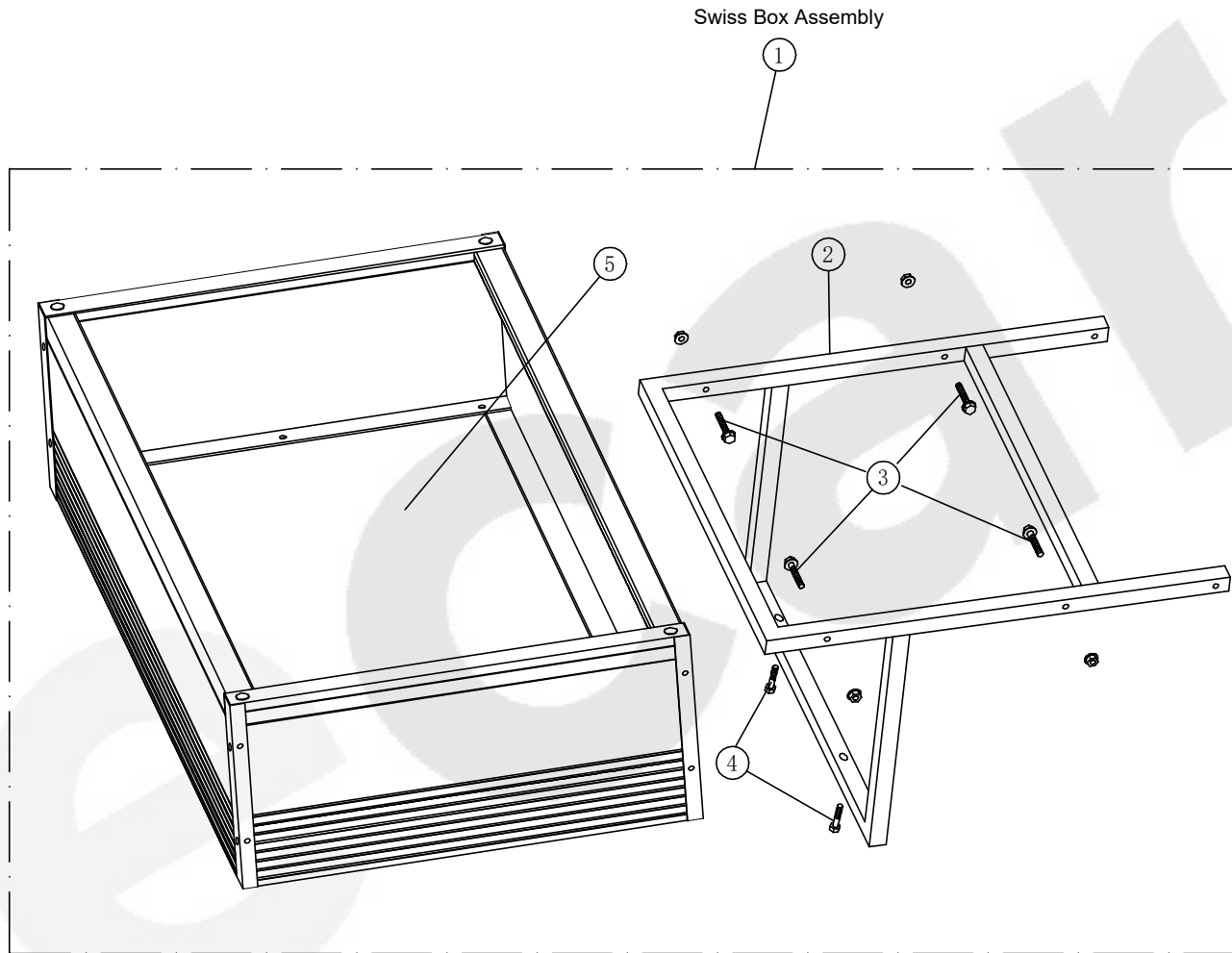


9
A2 Caddie Plate
Assembly

↑ Top

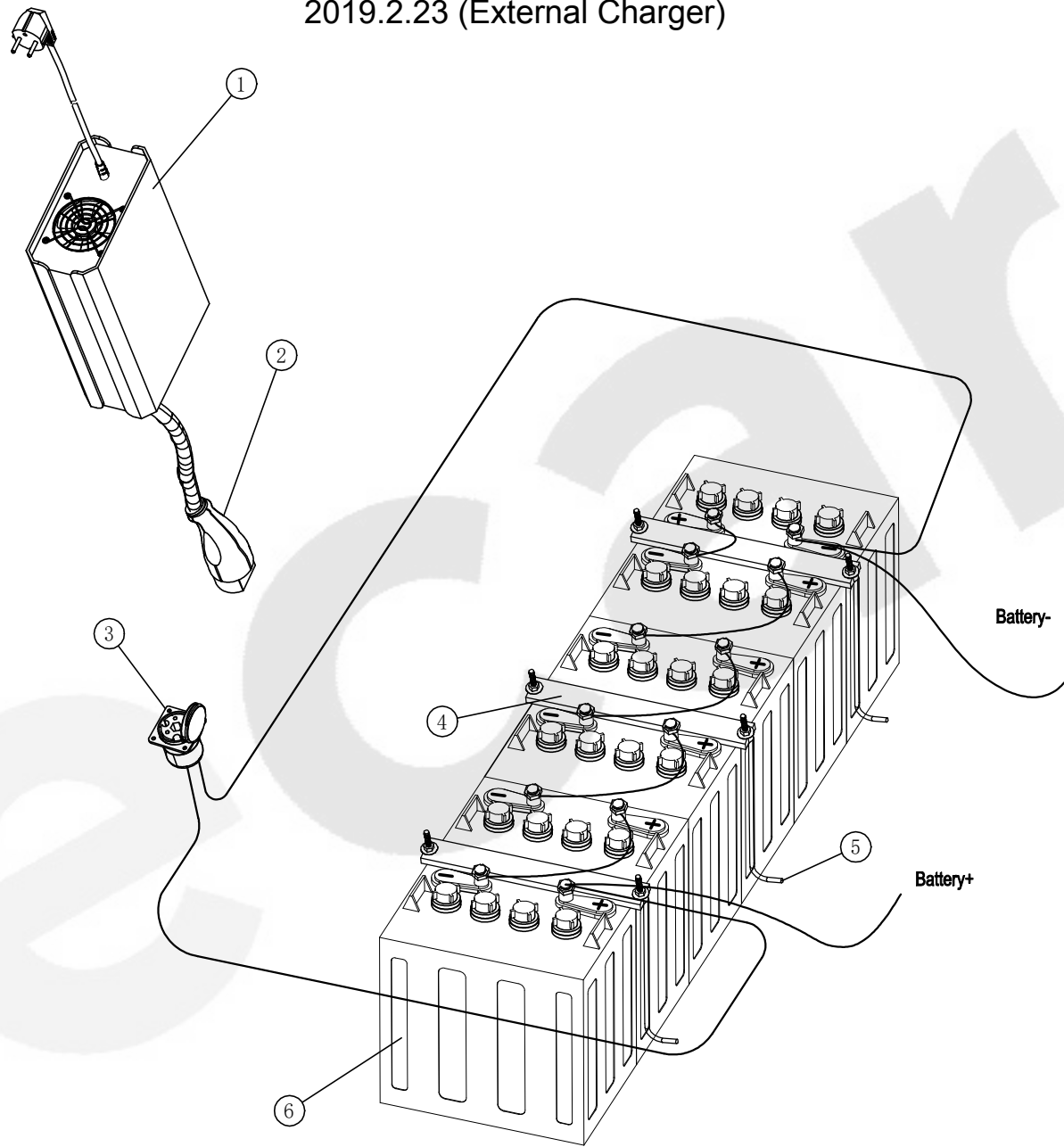
NO	Code	Name	QTY	Remark
1	2.01.007.800121	A2 Caddie Plate Armrest	1	
2	2.01.004.010007	A2 Top Roof Rear Support	2	
3	2.01.004.010028	A2 Caddie Plate Armrest/L	1	
4	2.01.004.010027	A2 Caddie Plate Armrest/R	1	
5	3.01.003.060023	Flange Screw	4	8*45
6	3.01.003.060020	Flange Screw	8	8*40
7	2.01.004.010024	Gasket	2	
8	3.02.010.000015	25 Plug	2	
9	2.03.001.000012	A2 Caddie Plate Assembly	1	

Swiss Box Parts



NO	Code	Name	QTY	Remark
1	5.01.001.000095	Swiss Box Assy	1	
2	2.01.004.020158	Box Support	1	
3	3.01.003.060033	Flange Screw	4	8*65
4	3.01.003.060027	Flange Screw	2	8*50
5	2.01.001.020101	Swiss Box Floor	1	

2019.2.23 (External Charger)

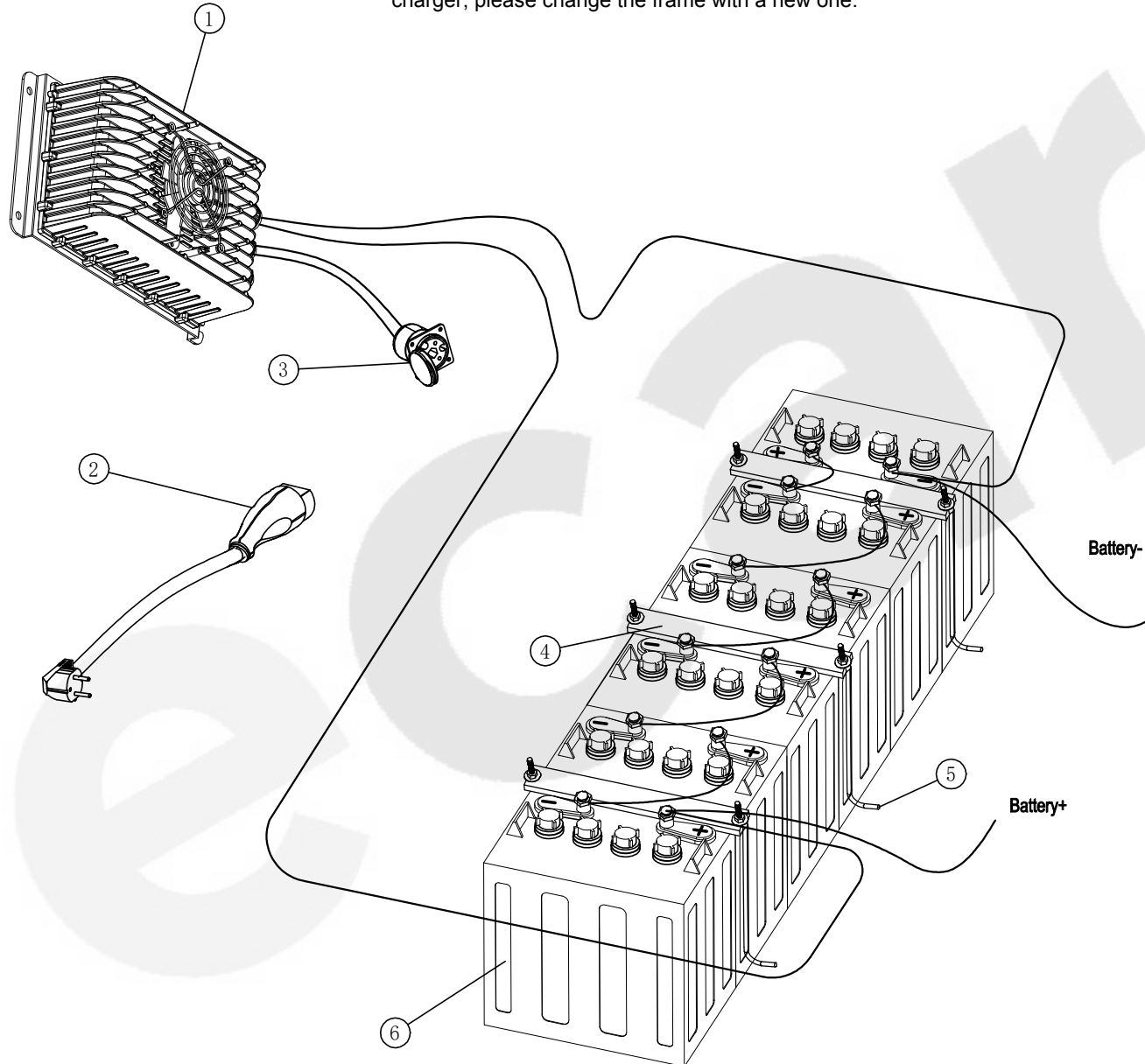


 **Battery System (1)**

NO	Code	Name	QTY	Remark
1	3.03.009.000028	48V Charger	1	25A/20A
2	3.03.009.000014	Charger Plug A	1	
3	3.03.009.000013	Charger Receptacle A	1	
4	3.02.014.000030	Battery Holder	3	
5	3.01.003.070013	Battery J-Bolt	6	6mm
6	3.03.006.000049	Battery	1	8V/150AH

2019.2.23 (Built-In Charger)

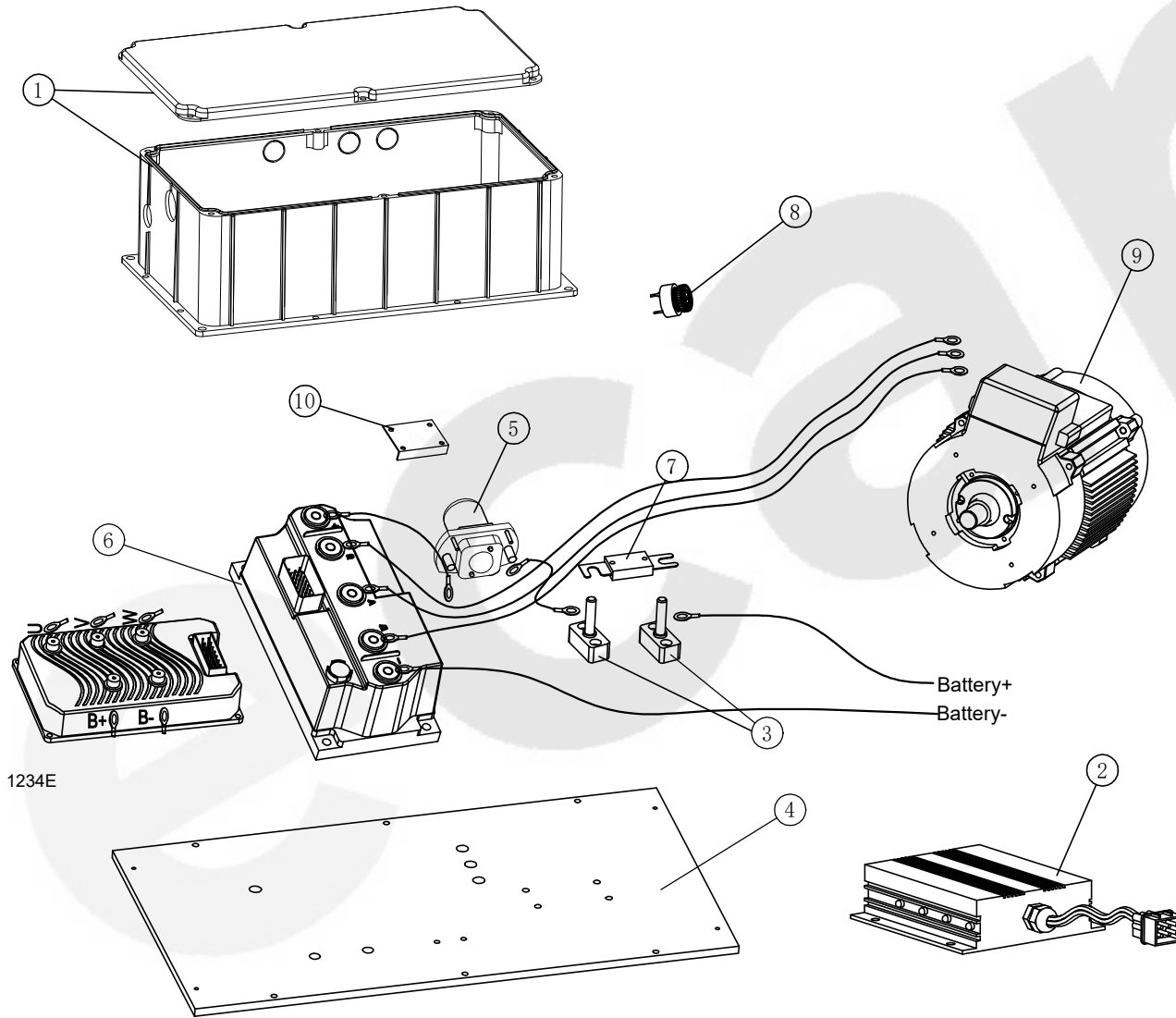
Note: The mounting hole of the built-in charger is different from that of the external charger, please change the frame with a new one.



Battery System (2)

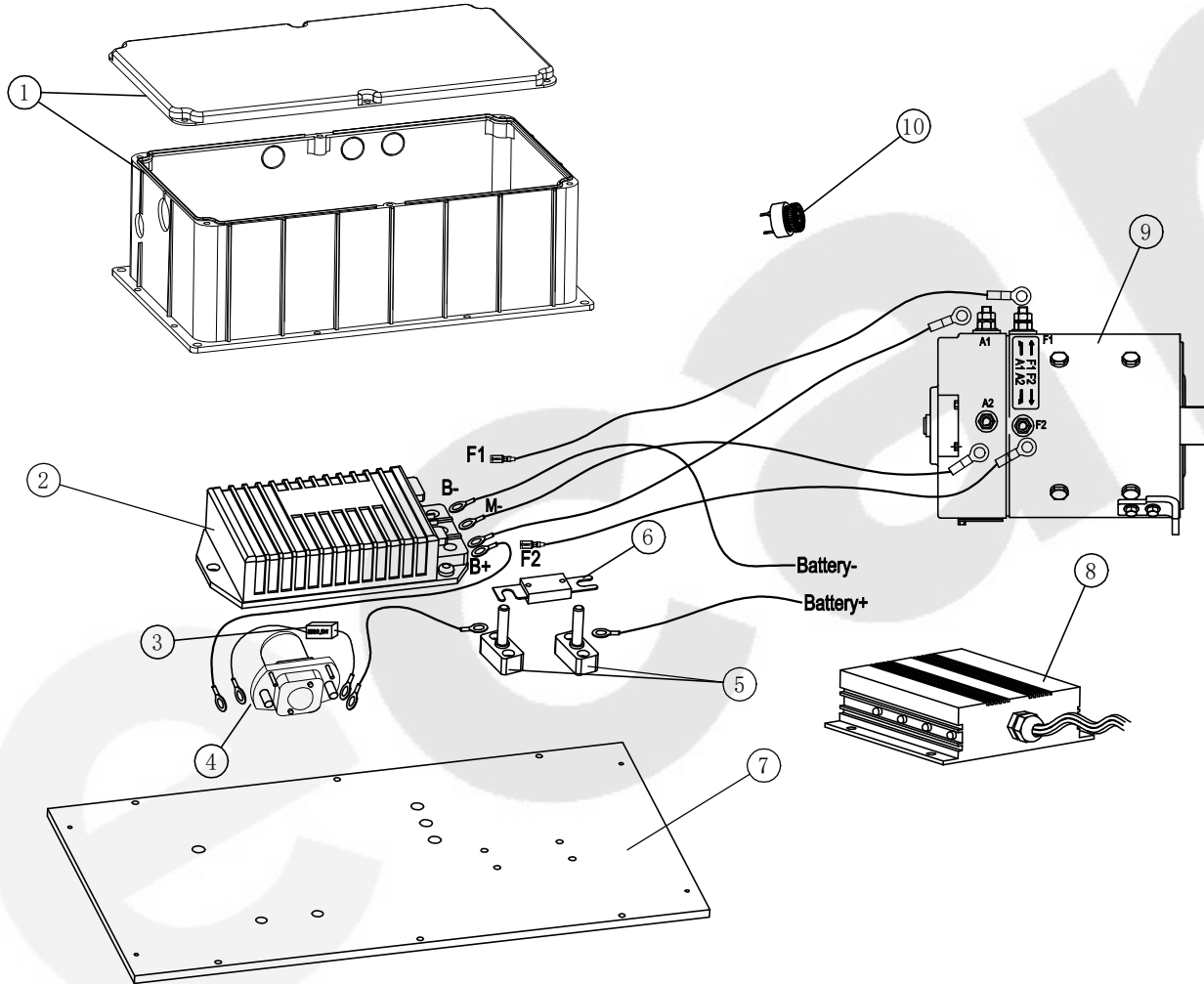
NO	Code	Name	QTY	Remark
1	3.03.009.000089	48V/DM 48Vcharger	1	
2	3.03.009.900013	Charger Plug	1	32A
3	3.03.009.900014	Charger Receptacle	1	2A
4	3.02.014.000030	Battery Holder	3	
5	3.01.003.070013	Battery J-Bolt	6	6mm
6	3.03.006.000049	Battery	1	8V/150AH

48V Toyota AC/Separation 1234E System



NO	Code	Name	QTY	Remark
1	3.02.014.000104	Controller Cover Top	1	
2	3.03.016.000001	DC/DC Converter	1	48V/300W
3	3.03.017.000012	Fuse Base	2	
4	2.02.007.010063	Toyota Heatsink Board-E	1	
	2.02.007.010066	1234 Curtis Heatsink Board	1	1234E
5	3.03.015.000001	48V Sensor	1	ZJ200A
6	3.03.003.000021	Toyota Communication Controller	1	
	3.03.003.900011	Curtis Controller 1234E	1	1234E
7	3.03.017.000034	Fuse 300A	1	
	3.03.017.000019	Fuse 200A	1	
8	3.03.010.000004	Buzzer 48V	1	
9	3.03.007.000031	AC Motor	1	4KW/33V
10	2.01.007.800039	DC Contactor Base	1	

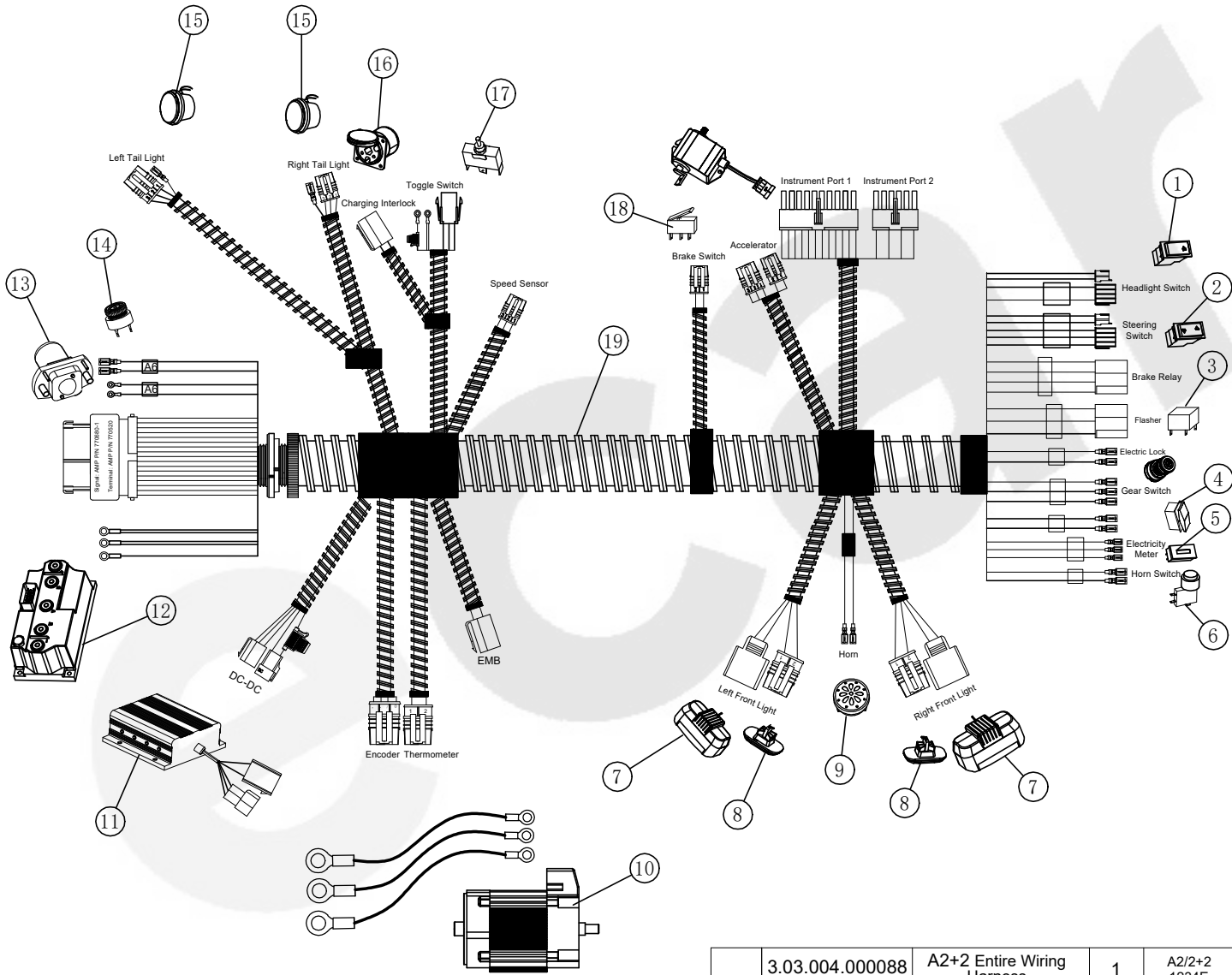
48V Separate 1266A System



DC Electronics (1)

NO	Code	Name	QTY	Remark
1	3.02.014.000104	Controller Cover Top	1	
2	3.03.003.000020	Curtis Controller 266A-5201	1	48V-275A
3	3.03.017.000022	Resistance	1	500Ω,5W
4	3.03.015.000001	48V Sensor	1	ZJ200A
5	3.03.017.000012	Fuse Base	2	
6	3.03.017.000019	Fuse 200A	1	
7	2.02.007.010065	1266 Curtis Heatsink Board	1	
8	3.03.016.000001	DC/DC Converter	1	48V/300W
9	3.03.007.000006	ADC 48V-3.7KW/ADC DC Motor	1	48V-3.7KW
10	3.03.010.000004	Buzzer48V	1	

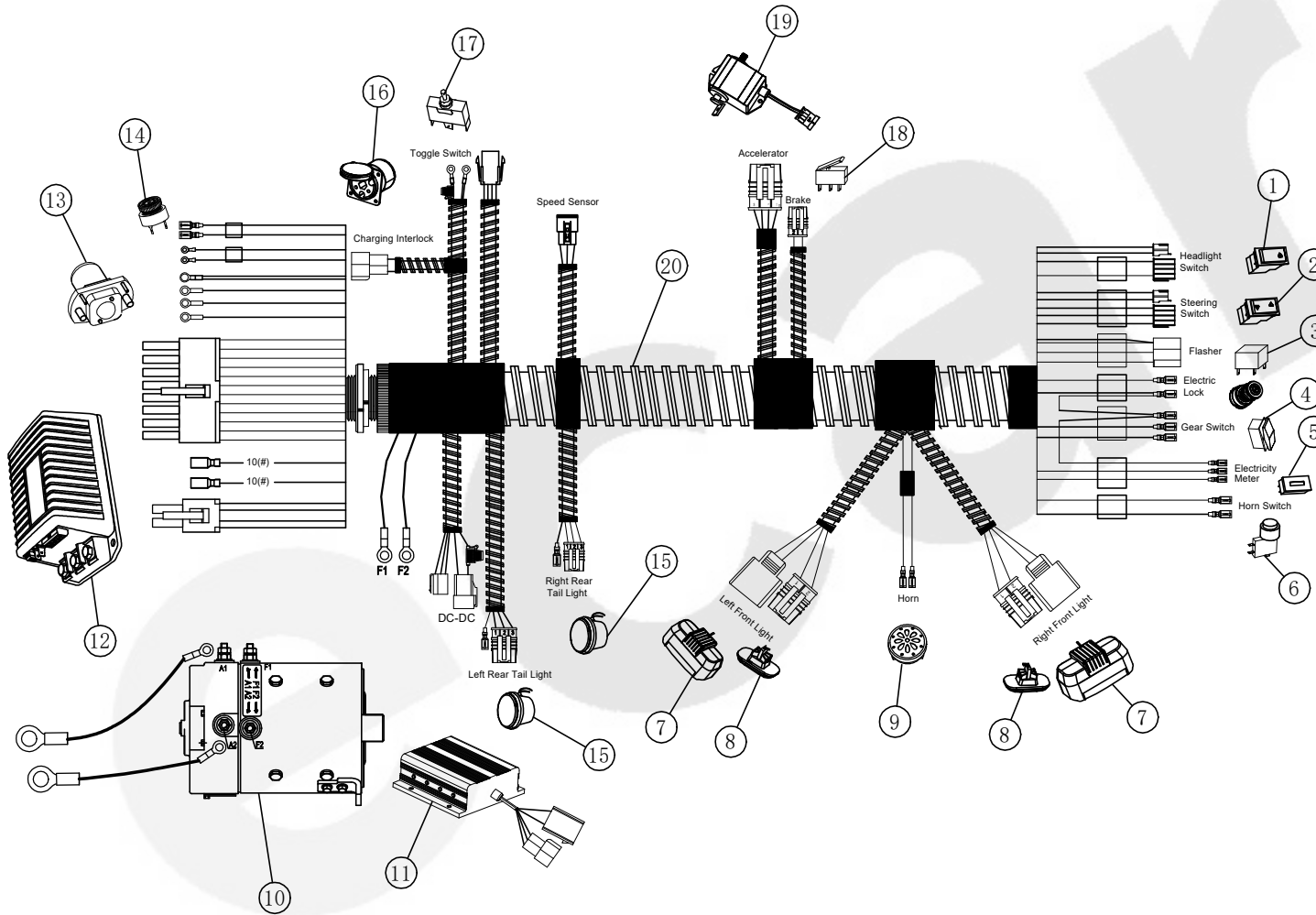
48V Toyota AC System



AC Wire Harness

NO	Code	Name	QTY	Remark
1	3.03.002.000005	Switch/Front Head Light	1	
2	3.03.002.000007	Switch L/R	1	
3	3.03.017.000062	Flasher	1	
4	3.03.002.000013	Switch F/R	1	
5	3.03.011.000007	Power Indicator 48V	1	
6	3.03.010.000005	Horn Button	1	
7	3.03.001.000018	Front Head Light	2	
8	3.03.001.000025	Turning Light	2	
9	3.03.010.000006	Horn 48V	1	KY-48V
10	3.03.007.000031	AC Motor	1	4KW/33V
11	3.03.016.000001	DC/DC Converter	1	48V/300W
12	3.03.003.000021	Toyota Communication Controller	1	
	3.03.003.900011	Curtis Controller 1234E	1	1234E
13	3.03.015.000001	48V Sensor	1	ZJ200A
14	3.03.010.000004	Buzzer48V	1	
15	3.03.001.000009	Tail Light	2	
16	3.03.009.000013	Charger Receptacle A	1	
17	3.03.002.000004	Tow Switch (2 Level)	1	
18	3.03.002.000008	Micro Switch 7-3	1	
19	3.03.004.900081	(FT-4801)A2 Entire Wiring Harness	1	A2/2+2
	3.03.004.900137	(FT-4802)A2 Entire Wiring Harness	1	A2/2+2
	3.03.004.900082	(FT-4801)A4 Entire Wiring Harness	1	A4/4+2
	3.03.004.900138	(FT-4802)A4 Entire Wiring Harness	1	A4/4+2
	3.03.004.900050	(FT-4801)A8 Entire Wiring Harness	1	A8/8+3
	3.03.004.900139	(FT-4801)A8 Entire Wiring Harness	1	A8/8+3
19	3.03.004.000088	A2+2 Entire Wiring Harness	1	A2/2+2 1234E
	3.03.004.000090	A4 Entire Wiring Harness	1	A4/4+2 234E

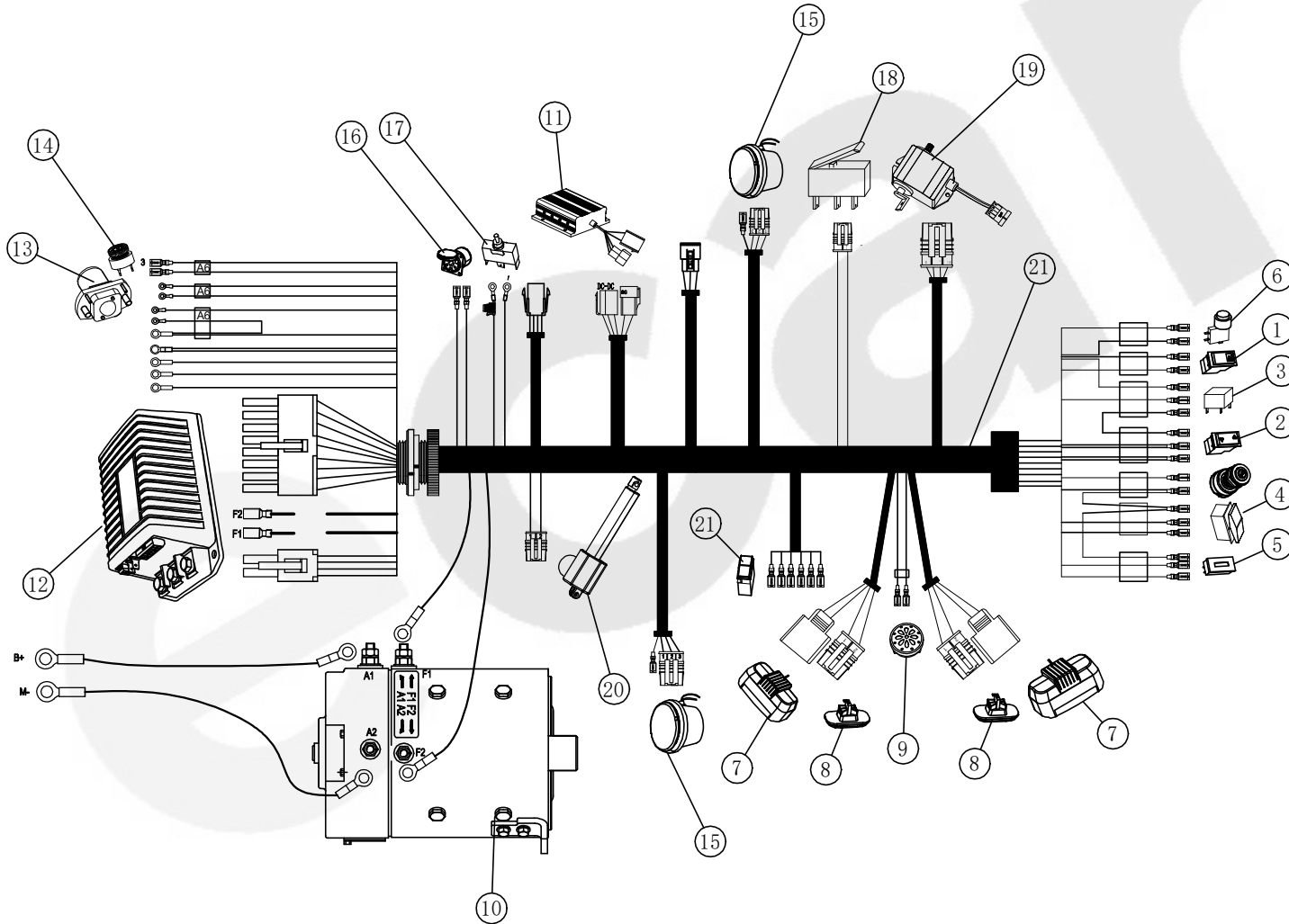
For Models: A2 / A4 / A8 + more
48V Separate 1266A/1268 System



DC Wire Harness (1)

NO	Code	Name	QTY	Remark
1	3.03.002.000005	Switch/Front Head Light	1	
2	3.03.002.000007	Switch L/R	1	
3	3.03.017.000062	Flasher	1	
4	3.03.002.000013	Switch F/R	1	
5	3.03.011.000007	Power Indicator 48V	1	
6	3.03.010.000005	Horn Button	1	
7	3.03.001.000018	Front Head Light	2	
8	3.03.001.000025	Turning Light	2	
9	3.03.010.000006	Horn 48V	1	KY-48V
10	3.03.007.000006	ADC 48V-3.7KW/ADC DC Motor	1	48V-3.7KW
11	3.03.016.000001	DC/DC Converter	1	48V/300W
12	3.03.003.000020	1266A-5201 Curtis Controller 1266A-5201	1	1266A
	3.03.003.000005	1268-5403 Curtis Controller 1286A-5403		1268
13	3.03.015.000001	48V Sensor	1	ZJ200A
14	3.03.010.000004	Buzzer 48V	1	
15	3.03.001.000009	Tail Light	2	
16	3.03.009.000013	Charger Receptacle A	1	
17	3.03.002.000004	Tow Switch (2 level)	1	
18	3.03.002.000008	Micro Switch 7-3	1	
19	3.03.005.000001	Accelerator Hall-A	1	
20	3.03.004.900110	A2 Entire Wiring Harness	1	A2/2+2
	3.03.004.900111	A4 Entire Wiring Harness	1	A4/4+2
	3.03.004.000006	A8 Entire Wiring Harness	1	A8
	3.03.004.000007	A8 Entire Wiring Harness	1	A8/8+3

For Models: H8
48V Separate 1266A/1268 System



DC Wire Harness (2)

NO	Code	Name	QTY	Remark
1	3.03.002.000005	Switch/Front Head Light	1	
2	3.03.002.000007	Switch L/R	1	
3	3.03.017.000062	Flasher	1	
4	3.03.002.000013	Switch F/R	1	
5	3.03.011.000007	Power Indicator 48V	1	
6	3.03.010.000005	Horn Button	1	
7	3.03.001.000018	Front Head Light	2	
8	3.03.001.000025	Turning Light	2	
9	3.03.010.000006	Horn 48V	1	KY-48V
10	3.03.007.000006	ADC DC Motor	1	48V-3.7KW
11	3.03.016.000001	DC/DC Converter	1	48V/300W
12	3.03.003.000020	Curtis Controller 1266A-5201	1	1266A
	3.03.003.000005	Curtis Controller 1268-5403		1268
13	3.03.015.000001	48V Sensor	1	ZJ200A
14	3.03.010.000004	Buzzer 48V	1	
15	3.03.001.000009	Tail Light	2	
16	3.03.009.000013	Charger Receptacle A	1	
17	3.03.002.000004	Tow Switch (2 Level)	1	
18	3.03.002.000008	Micro Switch 7-3	1	
19	3.03.005.000001	Accelerator Hall-A	1	
20	3.01.004.100011	Electrical Lift Rod	1	370
21	3.03.004.000011	Wiring Harness	1	H8 Entire
	3.03.004.000012	Wiring Harness	1	H8 Entire