

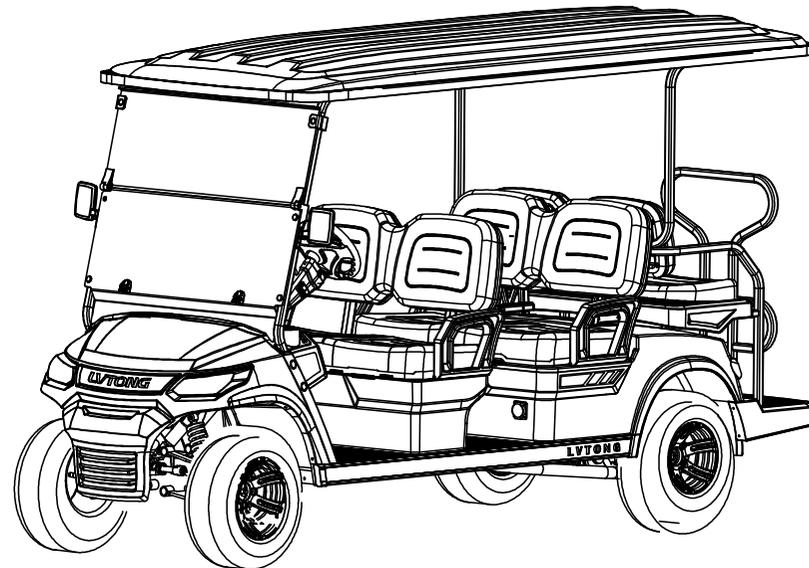


# 827 Series - Spare Parts Catalogue

**For All 827 Series Models:**

A827.2/2+2/A827.2/2+2/4/A827.2

A827.2/2+2/4/A827.6/6+2 + More



# Table of Contents

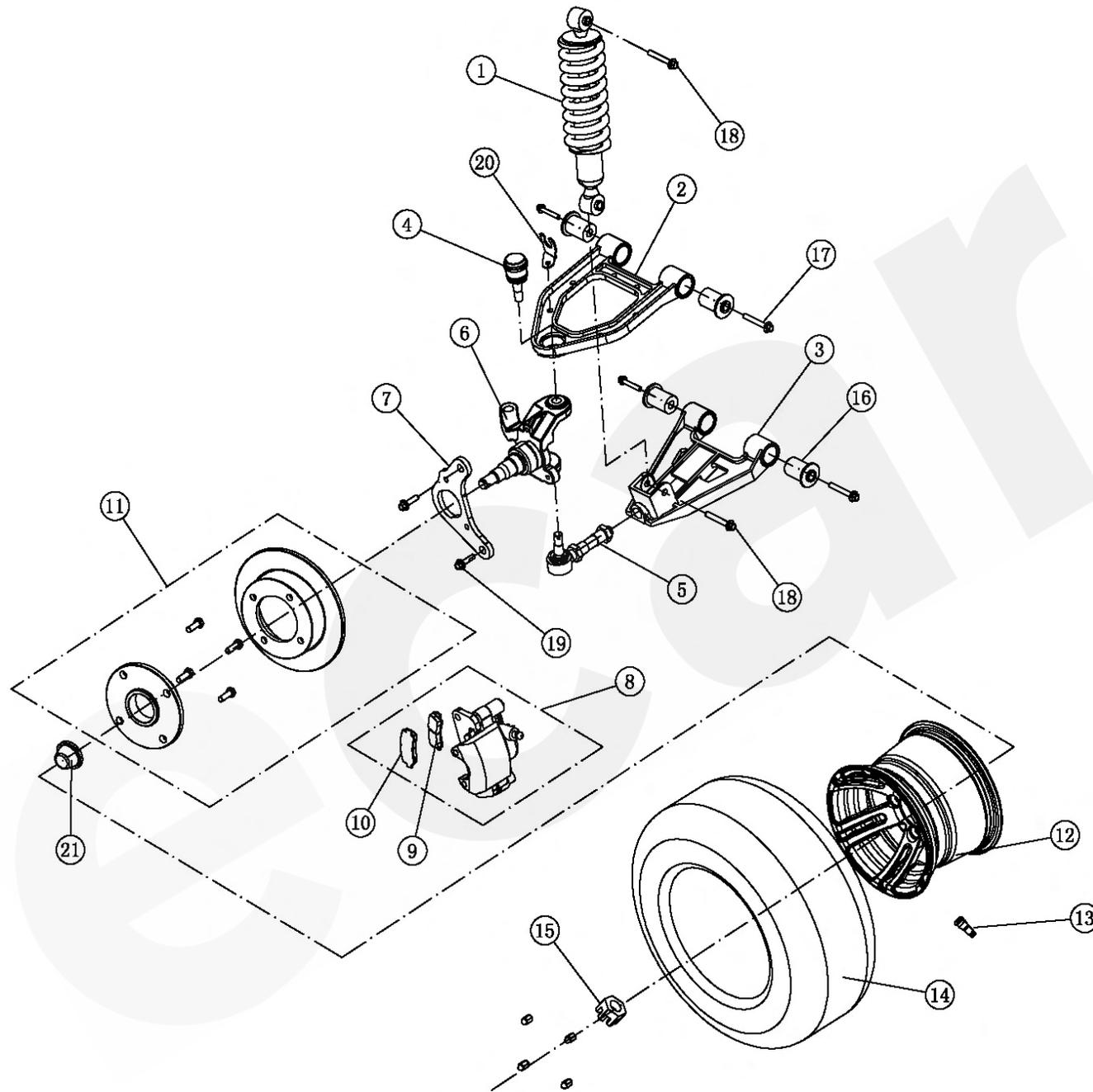
Page #	Part Collection	Models	Page #	Part Collection	Models
1	Chassis Frame	A827.2/2+2	18	Top Roof (3)	A827.4+2
2	Steering System (1)		19	Top Roof (3.5)	A827.6
3	Steering System (2)		20	Top Roof (4)	A827.6+2
4	Front Suspension	A827.2/1+2/4	21	Seat Parts (1)	A827.2
5	Rear Suspension	A827.2	22	Seat Parts (2)	A827.2+2
6	Transaxle System	A827.2/2+2/4	23	Seat Parts (3)	A827.4/4+2
7	AC Motor System		24	Seat Parts (4)	A827.4/4+2
8	Brake System		25	Seat Parts (5)	A827.6/6+2
9	Front Body Cover		26	Seat Parts (6)	A827.6/6+2
10	Dashboard (1)		27	Rear Seat (1)	
11	Dashboard (2)		28	Rear Seat (2)	
12	Rear Body Cover		29	Rear Seat (3)	
13	Foldable Windshield (1)		30	Golf Bag Parts	
14	Foldable Windshield (2)		31	Swiss Box Parts	
15	Top Roof (1)	A827.2	32	Battery System	
16	Top Roof (2)	A827.2+2	33	AC System	
17	Top Roof (2.5)	A827.4	34	Wire Harness	





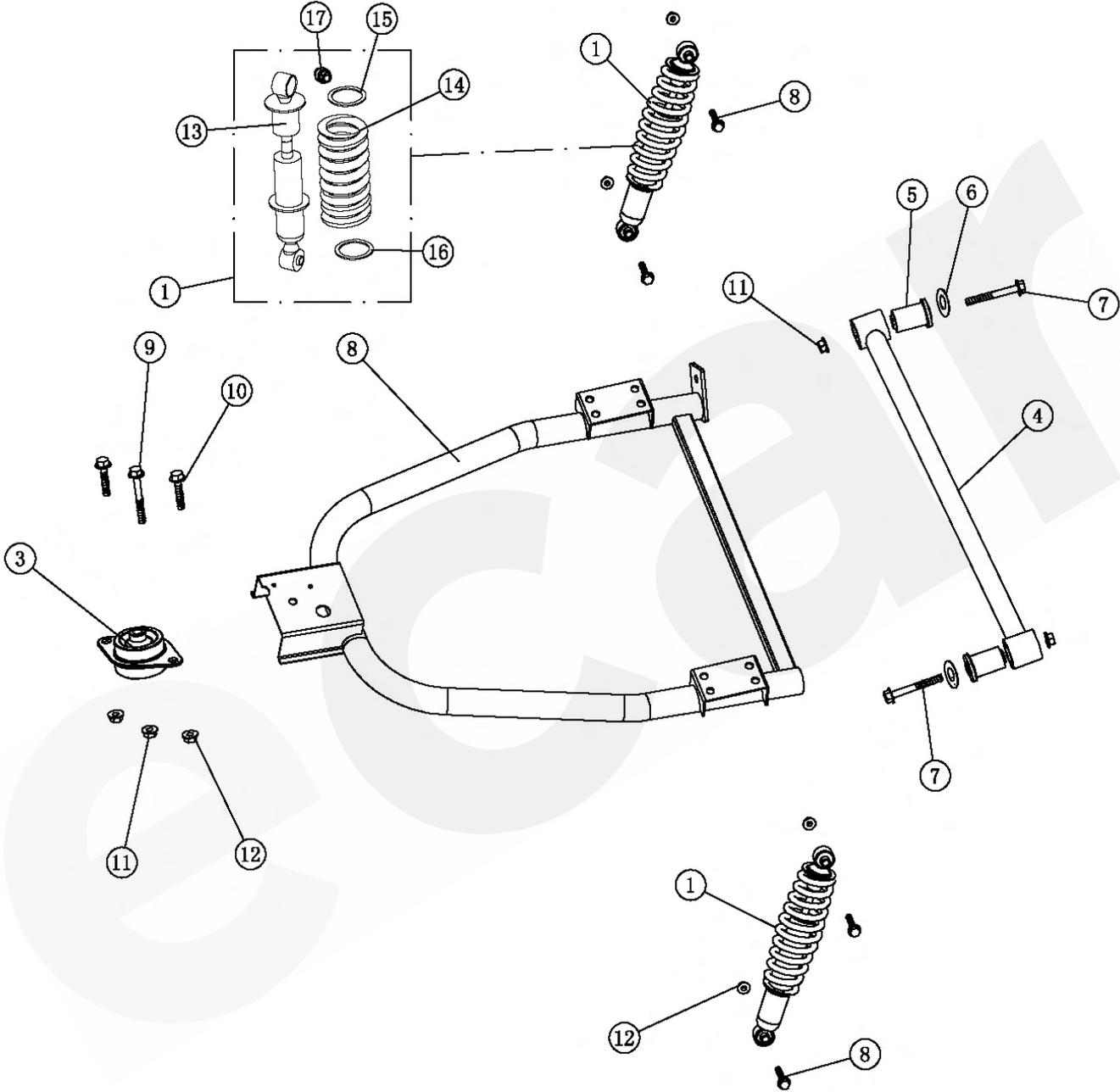


## 🌐 Front Suspension



NO:	Code	Name	QTY	Remark
1	3.01.004.070236	827.2 Front Shock Absorber Assy	2	A827.2/2+2/4
	3.01.004.070238	827.6 Front Shock Absorber	2	A827.4+2/6/6+2
2	2.01.004.210135	Upper Arm Assy	2	1 Each Side
3	2.01.004.210132	Lower Arm Assy/L	1	
	2.01.004.210133	Lower Arm Assy/R	1	
4	3.01.006.200063	Spherical Shell Assy 32*38	2	1 Each Side
5	3.01.006.200064	Adjustable Ball Housing Assy 86mm	2	1 Each Side
6	3.01.004.050148	Knuckle Assy/L	1	
	3.01.004.050149	Knuckle Assy/R	1	
7	3.01.004.120018	Front Brake Cylinder Fixing Plate	2	1 Each Side
8	3.01.006.200092	Front Brake Cylinder/R	1	
	3.01.006.200091	Front Brake Cylinder/L	1	
9	3.01.004.900087	Brake Pad	2	1 Each Side
10	3.01.004.900088	Brake Pad	2	1 Each Side
11	3.01.004.050116	Disk Brake Bearing Base Assy	2	1 Each Side
12	3.01.004.020001	Wheel Rim	2	1 Each Side
13	3.02.001.000021	Valve	2	1 Each Side
14	3.02.001.000066	Tyre	2	1 Each Side
15	3.01.003.070019	Knuckle Nut	2	1 Each Side
16	3.01.004.070021	Suspension Bush	8	4 Each Side
17	3.01.003.060037	Screw	8	4 Each Side
18	3.01.003.060060	Screw	4	2 Each Side
19	3.01.003.060006	Screw	4	2 Each Side
20	2.01.004.090085	Front Oil Hose Fixing Lug/L	1	
	2.01.004.090086	Front Oil Hose Fixing Lug/R	1	
21	3.01.004.050122	Wheel Cover	1	

## Rear Suspension

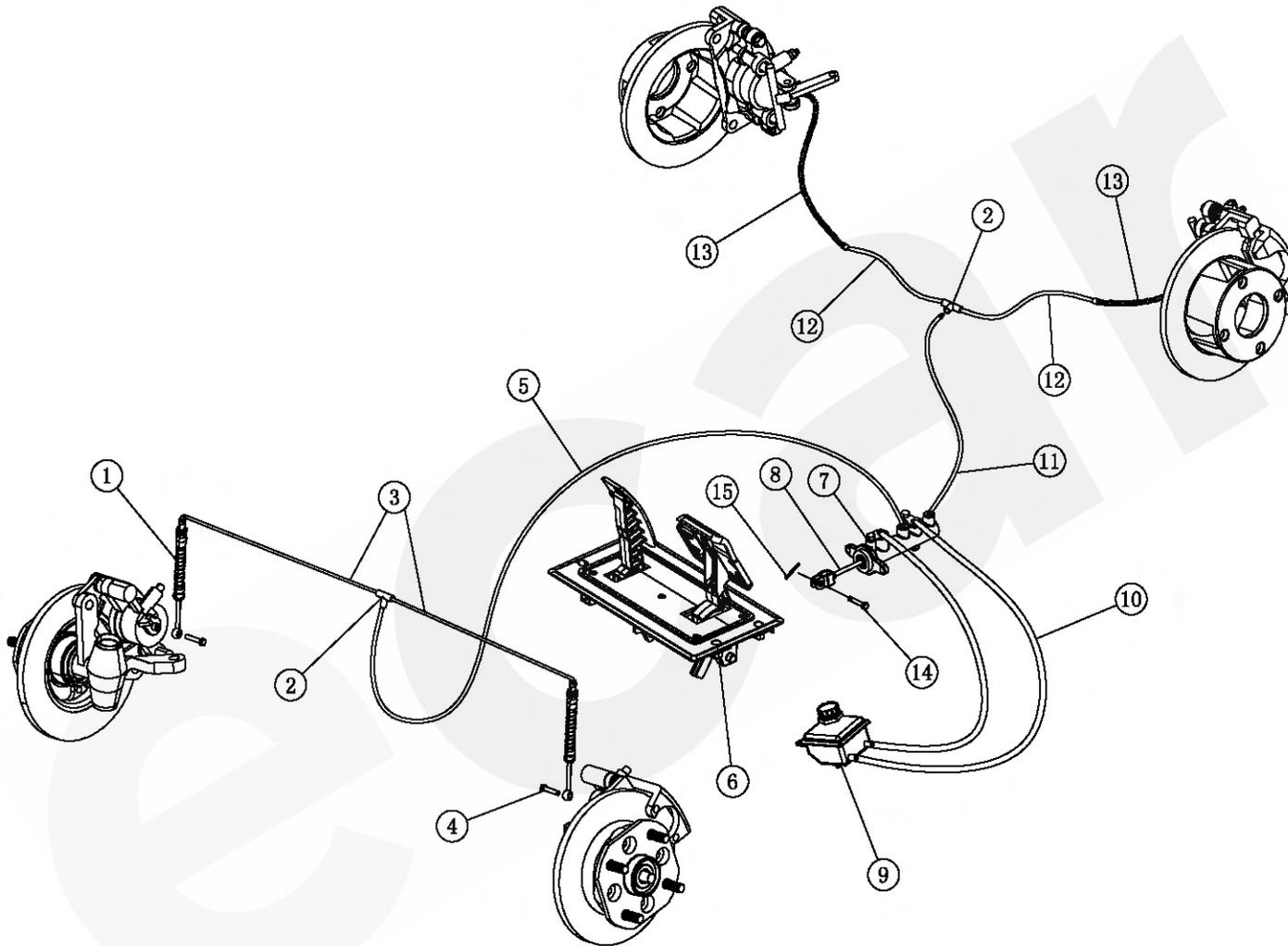


NO:	Code	Name	QTY	Remark
1	2.03.001.000009	A2 Rear Shock Absorb Assy	2	A827.2
	2.03.001.000016	A4 Rear Shock Absorb Assy	2	A827.2+2/4
	2.03.001.000019	A8 Rear Shock Absorb Assy	2	A827.4+2
	2.03.001.000022	A11 Rear Shock Absorb Assy	2	A827.6/6+2
2	2.01.004.210011	A627 Transaxle Bend Pipe	1	
3	3.02.014.000069	Shock Absorb Rubber	1	
4	2.01.004.210012	A627 Rear Balancing Pole	1	
5	3.01.004.070021	Suspension Bush	2	13*50mm
6	3.01.003.080036	Gasket	2	3.0*12*40
7	3.01.003.060037	Screw	2	12*70
8	3.01.003.060060	Screw	4	M10*50
9	3.01.003.060038	Screw	1	12*1.25*80
10	3.01.003.060007	Screw	2	10*1.25*20
11	3.01.003.100016	Nut	3	M12
12	3.01.003.100015	Nut	6	M10
13	3.01.004.080005	Rear Shock Absorber	2	
14	3.01.004.080012	A2 Rear Spring	2	A827.2
	3.01.004.080014	A4 Rear Spring	2	A827.2+2/4
	3.01.004.080016	A8 Rear Spring	2	A827.4+2
	3.01.004.080018	A11 Rear Spring	2	A827.6/6+2
15	3.02.014.000053	Rear Shock Absorb Rubber	2	44mm 55mm
16	3.02.014.000054	Rear Shock Absorb Low Rubber Rim	2	40mm 55mm
17	3.01.004.080007	Rear Shock Absorb Bush	2	





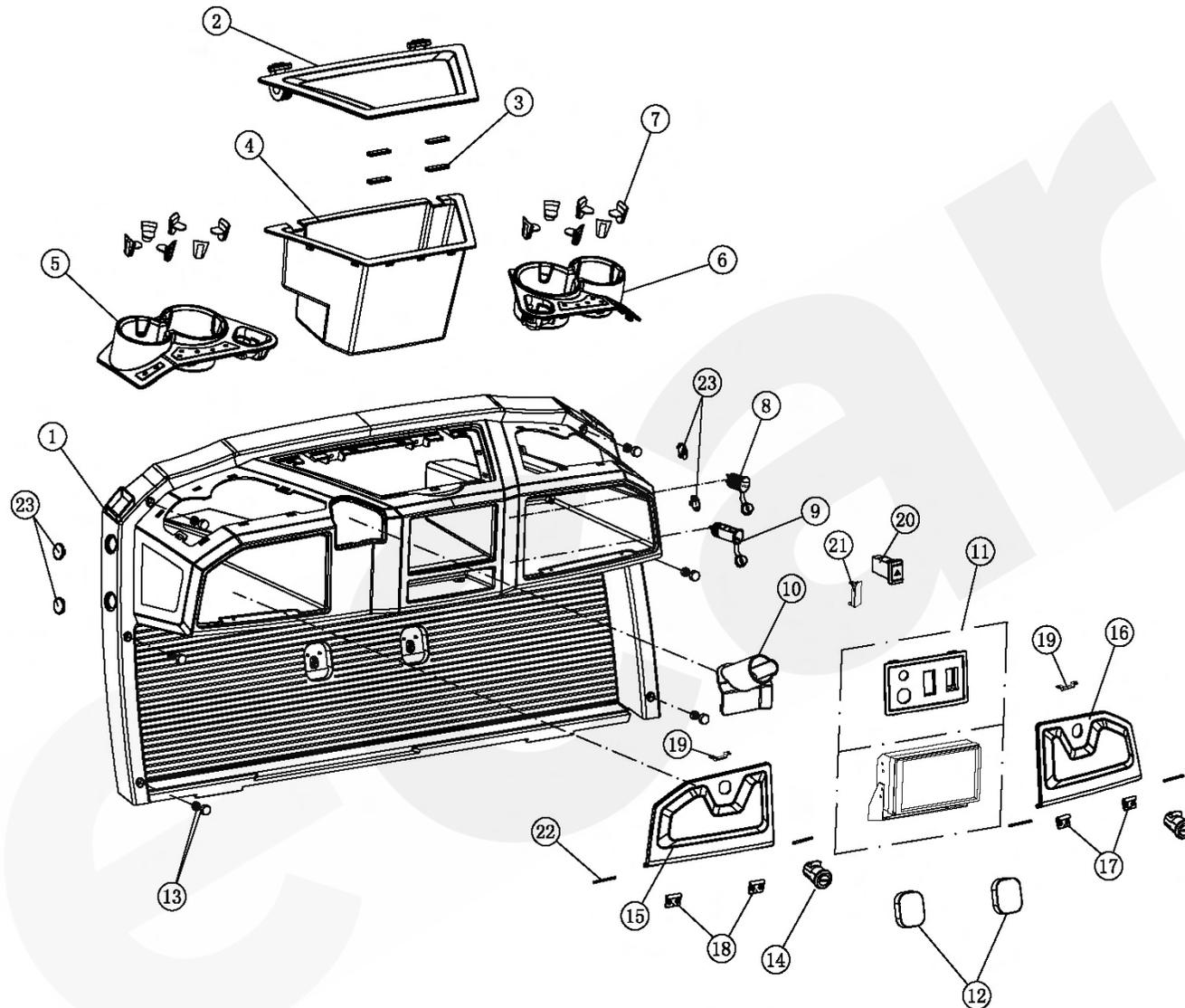
## 🌐 Brake System



NO:	Code	Name	QTY	Remark
1	3.01.004.030045	Front Plastic Oil Pipe	2	500mm
2	3.01.004.050028	Disc Brake Tee	2	
3	3.01.004.030061	Brake Steel Oil Pipe 250	2	
4	3.01.003.070041	Hollow Screw	2	010
5	3.01.004.030005	Brake Steel Oil Pipe 1010	1	
6	3.01.004.050151	Hydraulic Brake Pedal Assy	1	
7	3.01.004.050005	Brake Master Cylinder	1	7/8
8	3.01.006.900067	Brake Master Cylinder Putter	1	
9	3.01.004.050085	Brake Oil Tank	1	
10	3.01.004.030039	Oil Tank Pipe	2	
11	3.01.004.030006	Brake Steel Oil Pipe 370	1	A827.2/2+2
	3.01.004.030077	Brake Steel Oil Pipe 1460	1	A827.4/4+2
	3.01.004.030007	Brake Steel Oil Pipe 2250	1	A827.6/6+2
12	3.01.004.030009	Brake Steel Oil Pipe 750	2	
13	3.01.004.030040	Rear Plastic Oil Pipe	2	600mm
14	3.01.004.040022	Front Pin Of Brake Cable	1	10*25
15	3.01.003.090006	Cotter Pin	1	3*50

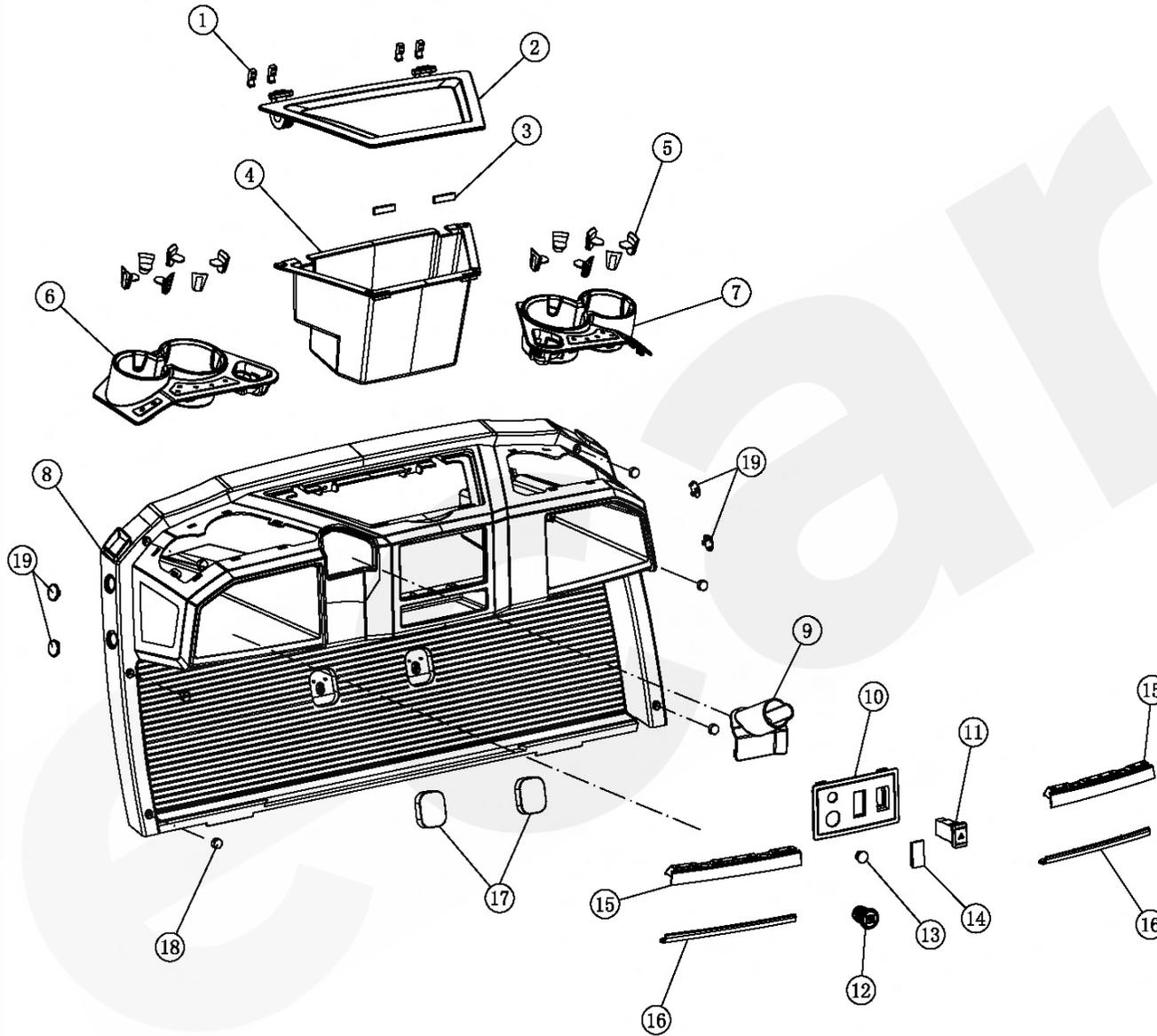


## Dashboard (1)



NO:	Code	Name	QTY	Remark
1	3.02.011.300007	Dashboard	1	
2	3.02.011.000079	Dashboard Upper Cover	1	
3	4.04.005.000042	Square Strong Magnet	1	29*9.5*2.8
4	3.02.011.600059	Storage Bucket	1	
5	3.02.011.300124	Cup Base L	1	
6	3.02.011.300125	Cup Base R	1	
7	3.02.012.000073	Cup Clip	12	
8	3.03.001.000138	USB Connector	1	
9	3.03.017.000045	Cigarette Lighter	1	
10	3.02.011.000092	Steering Column Cover	1	
11	3.02.011.300012	Switch Panel	1	
	3.03.010.000032	MP5 Player	1	
12	3.02.011.600116	Box Cover	2	
13	3.02.010.000019	Wood Screw Cover	6	
14	3.01.006.000306	Storage Pocket Cover Lock	2	
15	3.02.011.300008	Storage Pocket Cover L	1	
16	3.02.011.300010	Storage Pocket Cover R	1	
17	3.02.011.300184	Storage Pocket Lid Hinge/L	2	
18	3.02.011.300185	Storage Pocket Lid Hinge/R	2	
19	2.01.003.011245	Latch	2	
20	3.03.002.000064	Double Flash Switch	1	
21	3.03.007.000040	Capping	1	
22	3.01.006.900168	Spending At The Roll Shaft	4	
23	3.02.011.600121	Capping	4	

## Dashboard (2)



NO:	Code	Name	QTY	Remark
1	3.02.011.000091	Dashboard Upper Cover	4	
2	3.02.011.000079	Dashboard Upper Cover	1	
3	4.04.005.000042	Square Strong Magnet	2	29*9.5*2.8
4	3.02.011.600059	Storage Bucket	1	
5	3.02.012.000073	Cup Clip	12	
6	3.02.011.300124	Cup Base L	1	
7	3.02.011.300125	Cup Base R	1	
8	3.02.011.300007	Dashboard	1	
9	3.02.011.000082	Steering Column Cover	1	
10	3.02.011.300012	Switch Panel	1	
11	3.03.002.000064	Double Flashlight Switch	1	
12	3.03.001.000138	USB Connector	1	
13	3.02.010.000035	Iron Plate Button Type Hole Plug	1	
14	3.03.007.000040	Electricity Meter Cover	1	A627
15	3.02.011.300145	Ball Cabinet Cover/L	1	
	3.02.011.300146	Ball Cabinet Cover/R	1	
16	3.02.011.300188	Decorative Panel Under The Rubber Of Ball Cabinet/L		
	3.02.011.300189	Decorative Panel Under The Rubber Of Ball Cabinet/R		
17	3.02.011.600116	Box Cover	2	
18	3.02.010.000019	Wood Screw Cover	6	
19	3.02.011.600121	Capping	4	

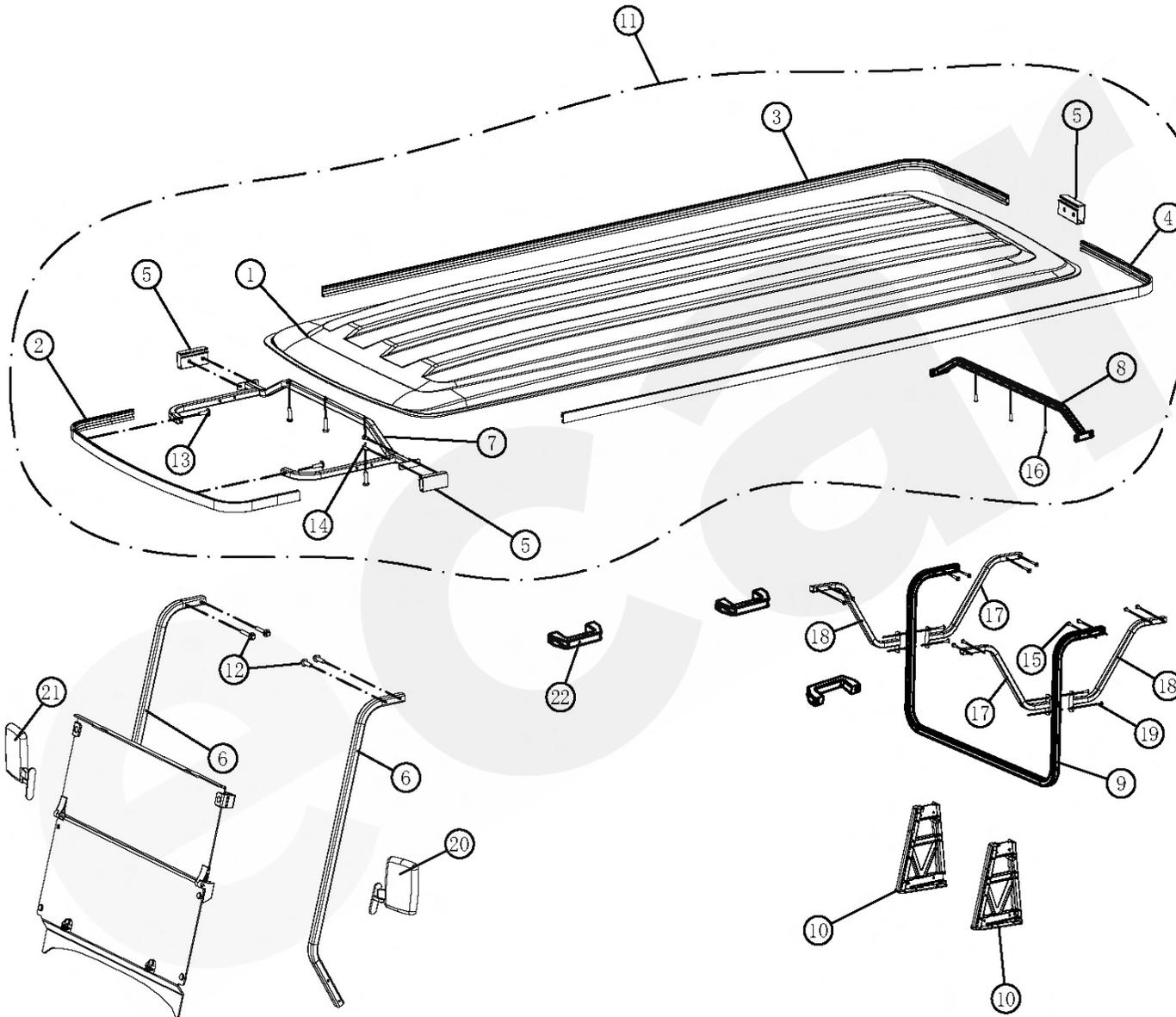








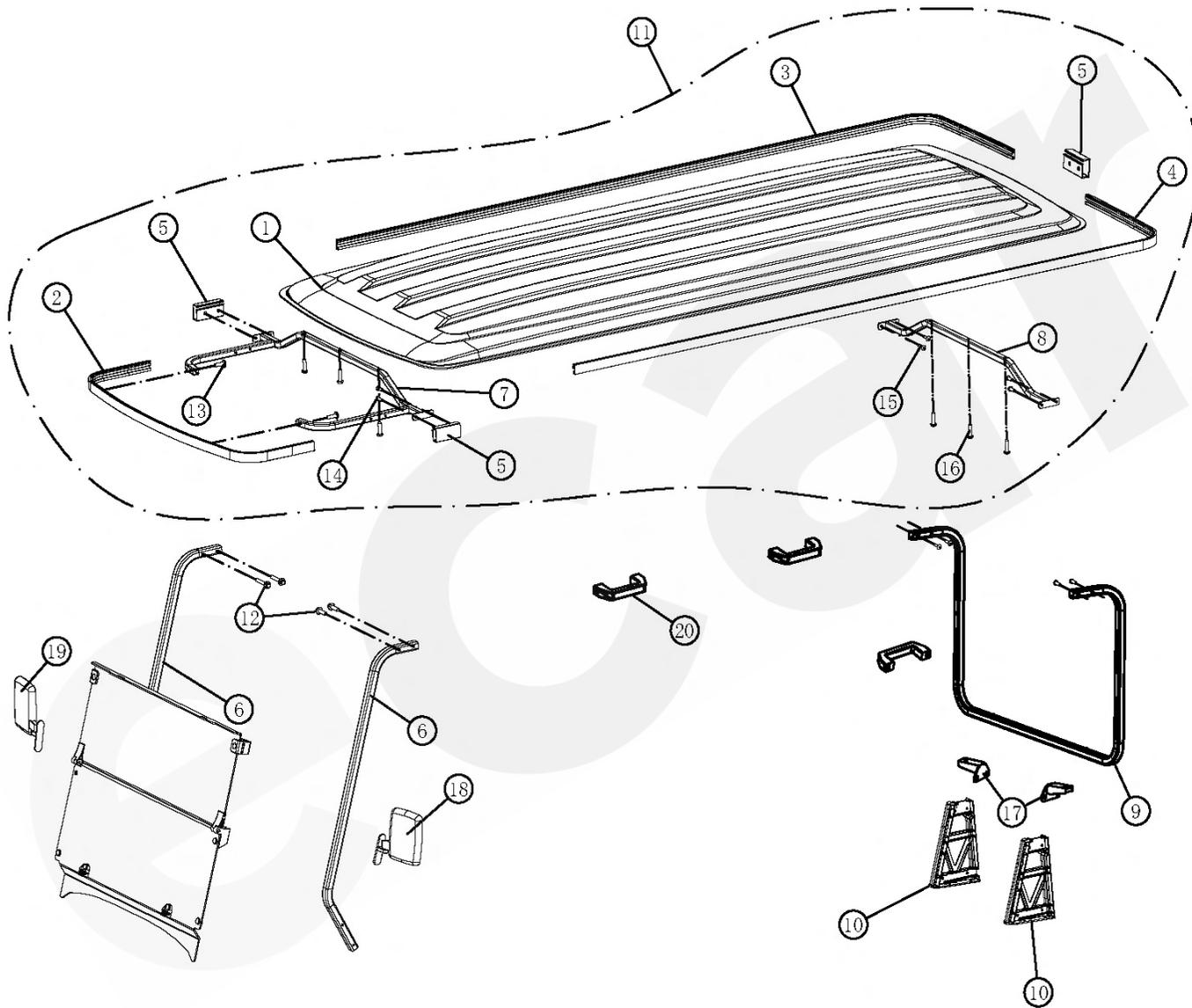
A827.2+2



 **Top Roof (2)**

NO:	Code	Name	QTY	Remark
1	3.02.011.800059	Top Roof	1	
2	2.01.003.070111	Front Of Canopy Frame	1	
3	2.01.003.070117	Rear Of Canopy Frame/R	1	
4	2.01.003.070113	Rear Of Canopy Frame/L	1	
5	2.01.003.070116	Roof Border Trim	3	
6	2.01.007.800065	Windshield Holder/L	1	A827.2+2
	2.01.007.800206	Windshield Holder/R	1	A827.2+2
7	2.01.004.010251	Roof Front Support Frame	1	827.2+2
8	2.01.004.010305	Roof Rear Brace	1	827.2+2
9	2.01.004.010349	Roof Rear Support Frame	1	827.2+2
10	3.01.005.010068	Backrest Bracket/L	2	
11	2.03.001.000043	Top Roof Assy	1	A827.2+2
12	3.01.003.060035	Screw	4	M8*70
13	3.01.003.060020	Screw	10	M8*40
14	3.01.003.060006	Screw	4	M8*20
15	3.01.003.060023	Screw	4	M8*45
16	3.01.003.020009	Screw	6	
17	2.01.004.010352	Roof Rear Stiffening Tube	2	
18	2.01.004.010568	Roof Rear Stiffening Tube	2	
19	3.01.003.060027	Screw	4	M8*50
20	3.02.013.000026	Side Mirror/L	1	
21	3.02.013.000024	Side Mirror/R	1	
22	3.02.011.800068	Top Roof Armrest/L	3	

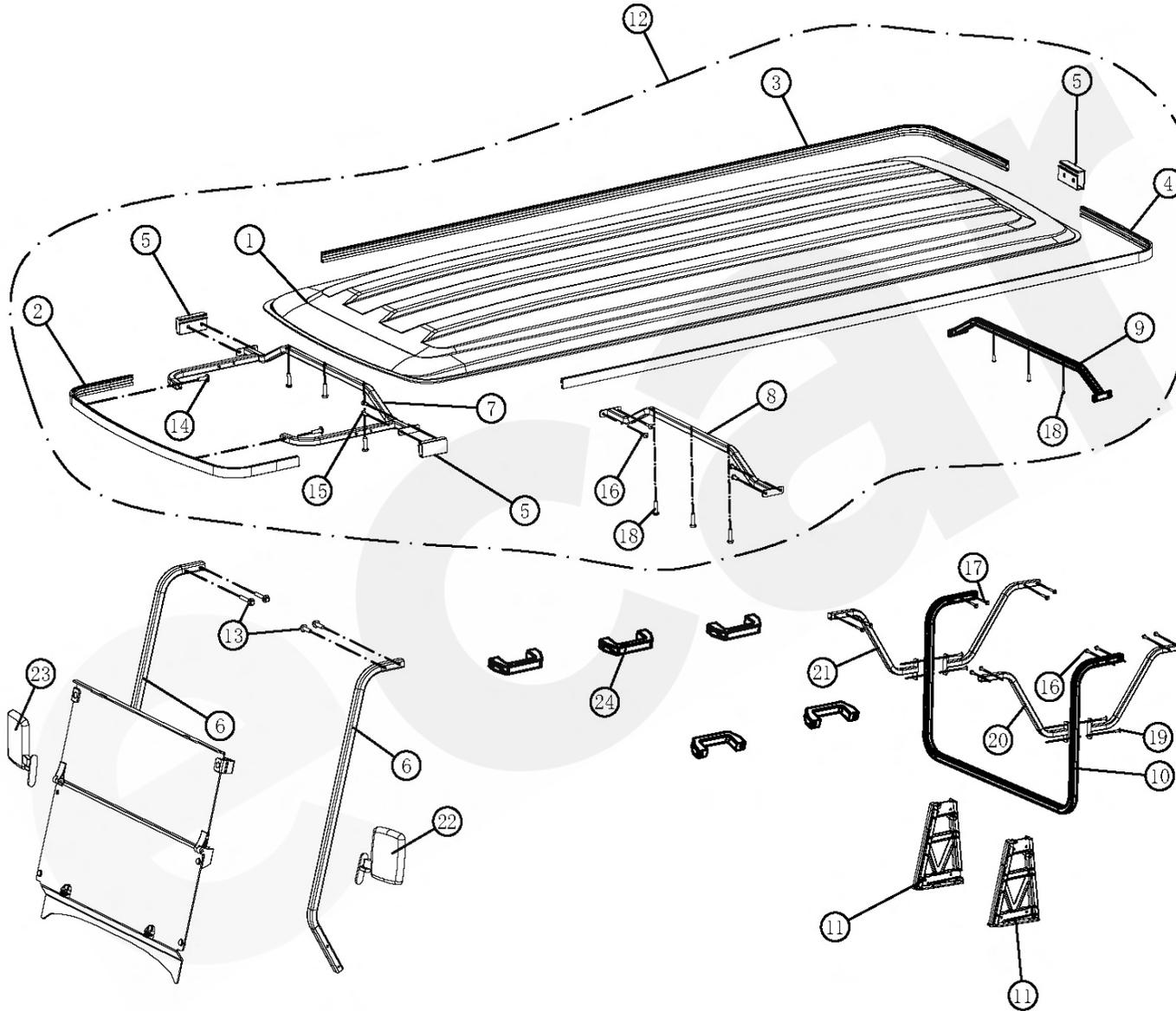
A827.4



 **Top Roof (2.5)**

NO:	Code	Name	QTY	Remark
1	3.02.011.800059	Top Roof	1	827.4
2	2.01.003.070111	Front Of Canopy Frame	1	827.2+2
3	2.01.003.070117	Rear Of Canopy Frame/R	1	827.2+2
4	2.01.003.070113	Rear Of Canopy Frame/L	1	827.2+2
5	2.01.003.070116	Roof Border Trim	3	
6	2.01.007.800065	Windshield Holder/L	1	A827.2+2
	2.01.007.800206	Windshield Holder/R	1	A827.2+2
7	2.01.004.010251	Roof Front Support Frame	1	827.2+2
8	2.01.004.010304	Roof Middle Brace	1	827.4+2
9	2.01.004.010350	Roof Rear Support Frame	1	827.4+2
10	3.01.005.010068	Backrest Bracket/L	2	827
11	2.03.001.000054	Top Roof Assy	1	
12	3.01.003.060035	Screw	4	M8*70
13	3.01.003.060020	Screw	6	M8*40
14	3.01.003.060006	Screw	4	M8*20
15	3.01.003.060048	Screw	4	M8*16
16	3.01.003.020009	Screw	6	
17	2.01.004.000290	Roof Rear Support Frame Fix	2	
18	3.02.013.000026	Side Mirror/L	1	
19	3.02.013.000024	Side Mirror/R	1	
20	3.02.011.800068	Top Roof Armrest/L	3	

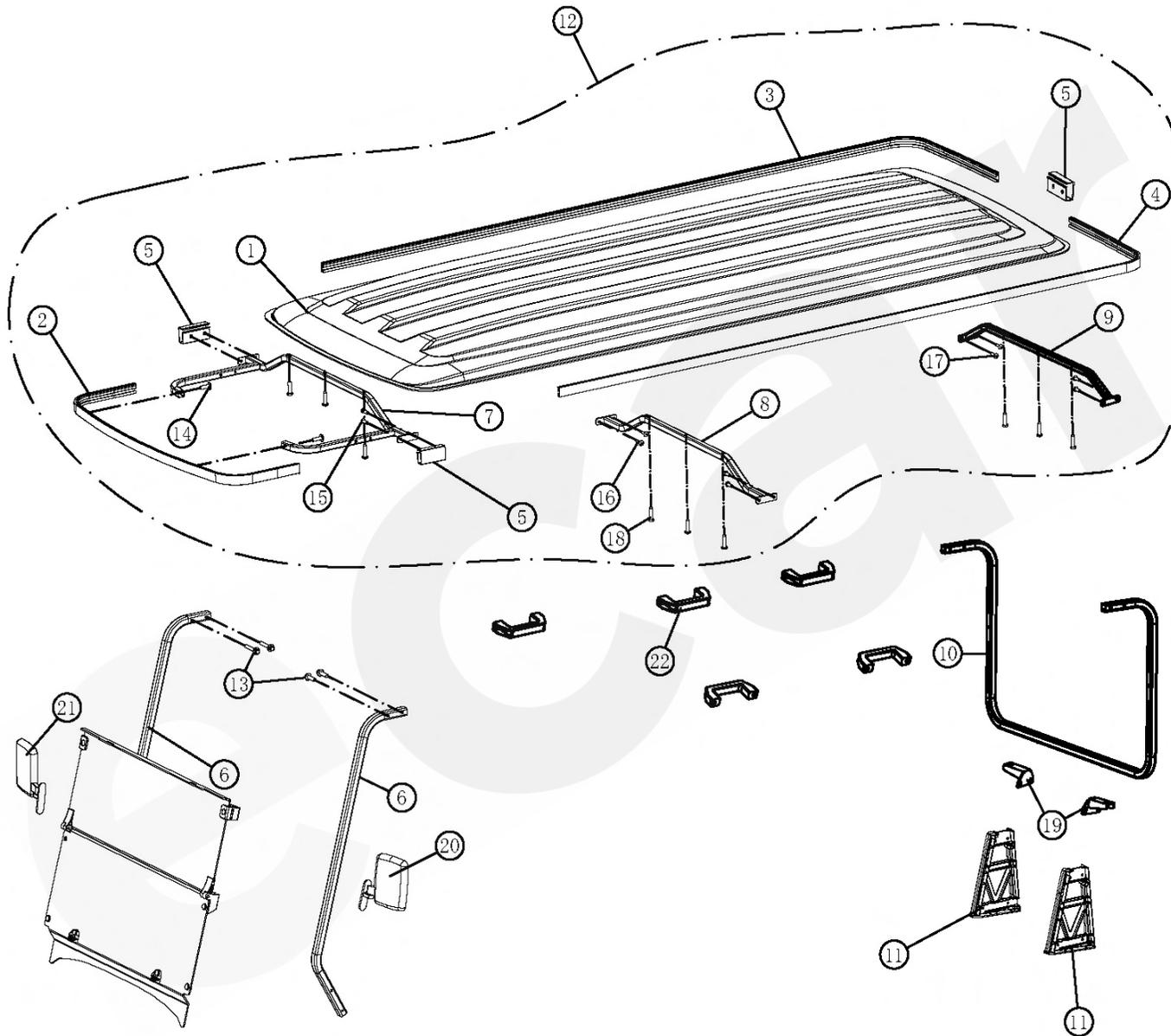
A827.4+2



 **Top Roof (3)**

NO:	Code	Name	QTY	Remark
1	3.02.011.800060	Top Roof	1	827.6
2	2.01.003.070111	Front Of Canopy Frame	1	827.2+2
3	2.01.003.070119	Rear Of Canopy Frame/R	1	827.4+2
4	2.01.003.070114	Rear Of Canopy Frame/L	1	827.4+2
5	2.01.003.070116	Roof Border Trim	3	827
6	2.01.007.800065	Windshield Holder/L	1	A827.2+2
	2.01.007.800206	Windshield Holder/R	1	A827.2+2
7	2.01.004.010251	Roof Front Support Frame	1	827.2+2
8	2.01.004.010304	Roof Middle Brace	1	827.4+2
9	2.01.004.010305	Roof Rear Brace	1	827.2+2
10	2.01.004.010350	Roof Rear Support Frame	1	827.4+2
11	3.01.005.010068	Backrest Bracket/L	2	
12	2.03.001.000055	Top Roof Assy	1	A827.4+2
13	3.01.003.060035	Screw	4	M8*70
14	3.01.003.060020	Screw	10	M8*40
15	3.01.003.060006	Screw	4	M8*20
16	3.01.003.060048	Screw	4	M8*16
17	3.01.003.060023	Screw	4	M8*45
18	3.01.003.020009	Screw	9	
19	3.01.003.060027	Screw	4	M8*50
20	2.01.004.010352	Roof Rear Stiffening Tube	2	
21	2.01.004.010568	Roof Rear Stiffening Tube	2	
22	3.02.013.000026	Side Mirror/L	1	
23	3.02.013.000024	Side Mirror/R	1	
24	3.02.011.800068	Top Roof Armrest/L	5	

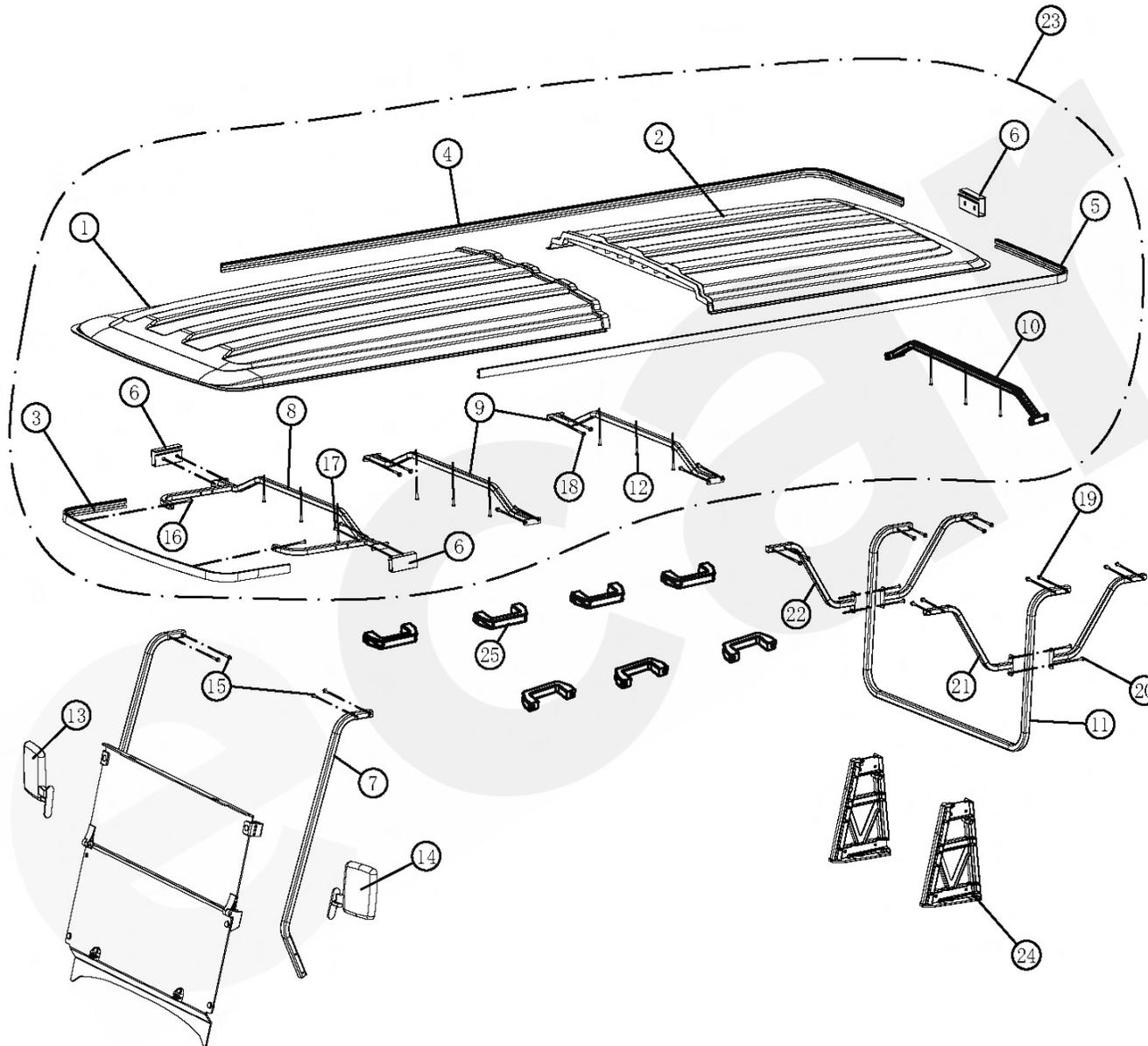
A827.6



 **Top Roof (3.5)**

NO:	Code	Name	QTY	Remark
1	3.02.011.800060	Top Roof	1	827.6
2	2.01.003.070111	Front Of Canopy Frame	1	827.2+2
3	2.01.003.070119	Rear Of Canopy Frame/R	1	827.4+2
4	2.01.003.070114	Rear Of Canopy Frame/L	1	827.4+2
5	2.01.003.070116	Roof Border Trim	3	
6	2.01.007.800065	Windshield Holder/L	1	A827.2+2
	2.01.007.800206	Windshield Holder/R	1	A827.2+2
7	2.01.004.010251	Roof Front Support Frame	1	827.2+2
8	2.01.004.010304	Roof Middle Brace	1	827.4+2
9	2.01.004.010305	Roof Rear Brace	1	827.2+2
10	2.01.004.010350	Roof Rear Support Frame	1	827.4+2
11	3.01.005.010068	Backrest Bracket/L	2	
12	2.03.001.000055	Top Roof Assy	1	A827.4+2
13	3.01.003.060035	Screw	4	M8*70
14	3.01.003.060020	Screw	2	M8*40
15	3.01.003.060006	Screw	4	M8*20
16	3.01.003.060048	Screw	4	M8*16
17	3.01.003.060023	Screw	4	M8*45
18	3.01.003.020009	Screw	9	6*45
19	2.01.004.000290	Roof Rear Support Frame Fix	2	827.4
20	3.02.013.000026	Side Mirror/L	1	627
21	3.02.013.000024	Side Mirror/R	1	627
22	3.02.011.800068	Top Roof Armrest/L	5	

A827.6+2



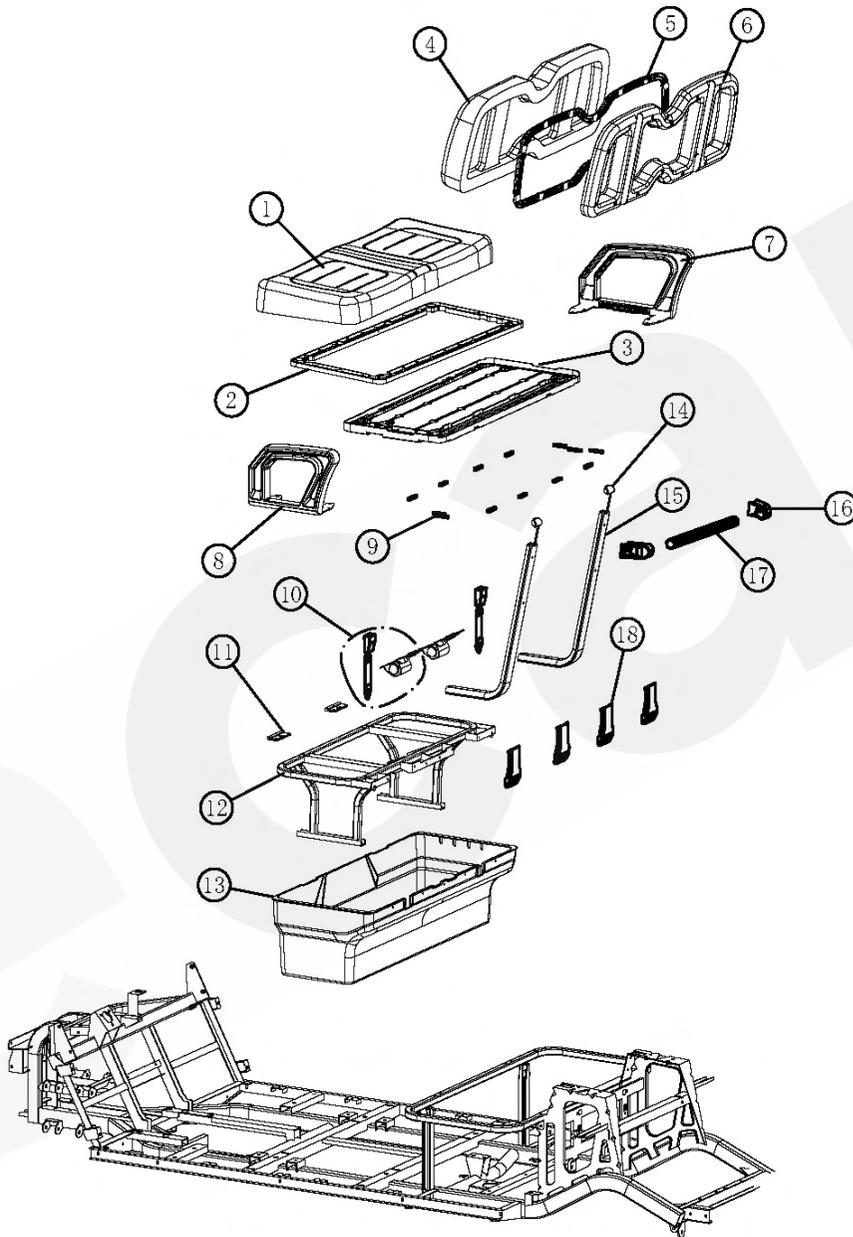
 **Top Roof (4)**

NO:	Code	Name	QTY	Remark
1	3.02.011.800061	Top Roof/Front	1	827.6+2
2	3.02.011.800062	Top Roof/Rear	1	827.6+2
3	2.01.003.070111	Front Of Canopy Frame	1	
4	2.01.003.070124	Rear Of Canopy Frame/R	1	
5	2.01.003.070115	Rear Of Canopy Frame/L	1	
6	2.01.003.070116	Roof Border Trim	3	A827.2+2
7	2.01.007.800065	Windshield Holder/L	1	A827.2+2
	2.01.007.800206	Windshield Holder/R	1	827.2+2
8	2.01.004.010251	Roof Front Support Frame	1	827.4+2
9	2.01.004.010304	Roof Middle Brace	2	827.2+2
10	2.01.004.010305	Roof Rear Brace	1	827.4+2
11	2.01.004.010350	Roof Rear Support Frame	1	
12	3.01.003.020009	Screw	12	6*45
13	3.02.013.000024	Side Mirror/R	1	627
14	3.02.013.000026	Side Mirror/L	1	627
15	3.01.003.060035	Screw	4	M8*70
16	3.01.003.060020	Screw	10	M8*40
17	3.01.003.060006	Screw	4	M8*20
18	3.01.003.060048	Screw	8	M8*16
19	3.01.003.060023	Screw	4	M8*45
20	3.01.003.060027	Screw	4	M8*50
21	2.01.004.010352	Roof Rear Stiffening Tube	2	
22	2.01.004.010568	Roof Rear Stiffening Tube	2	
23	2.03.001.000058	Top Roof Assy	1	
24	3.01.005.010068	Backrest Bracket/L	1	
25	3.02.011.800068	Top Roof Armrest/L	7	





A827.4/4+2

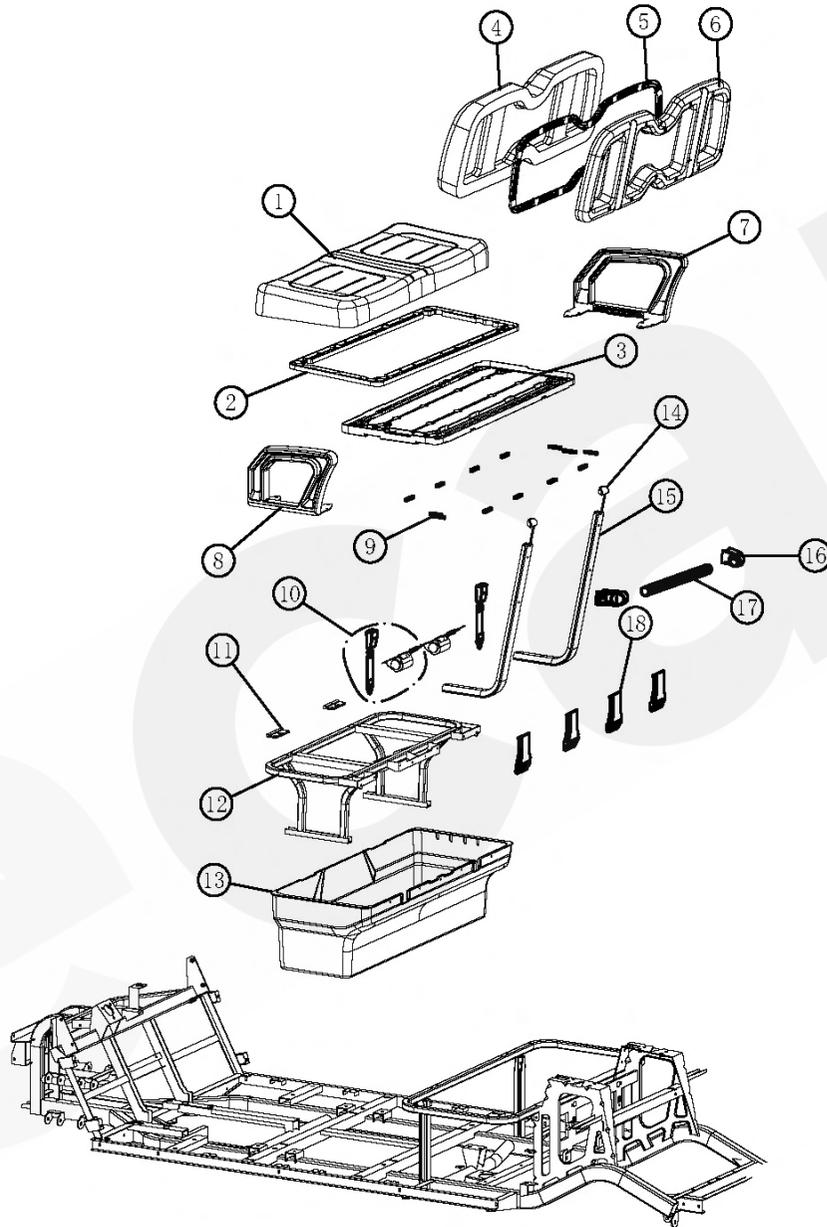


 **Seat Parts (3)**

NO:	Code	Name	QTY	Remark
1	3.02.005.000696	Front Seat Cushion	1	827.4/4+2
2	3.02.011.300127	Front Seat Cushion Frame	1	827.4/4+2
3	3.02.011.300126	Front Seat Cushion Floor	1	827.4/4+2
4	3.02.005.000695	Seat Back	1	827.4/4+2
5	3.02.011.300029	Seat Back Frame	1	
6	3.02.011.300025	Seat Back Cover	1	
7	3.02.011.300129	Armrest R	1	827.4/4+2
8	3.02.011.300130	Armrest L	1	827.4/4+2
9	3.02.014.000303	Cushion Rubber Pad	13	827.4/4+2
10	3.02.014.000326	Automatic Locking Two-Point Safety Belt	2	827.4/4+2
11	3.01.006.200090	Cushion Hinge	2	827.4/4+2
12	2.01.007.900045	Seat Box Support	1	827.4/4+2
13	3.02.011.000206	Seat Box	1	827.4/4+2
14	3.02.001.000169	Backrest Elbow Plug	2	
15	2.01.004.010552	Front Backrest Elbow	2	827.4/4+2
16	3.02.007.000072	Seat Back Armrest Fix	2	827.4/4+2
17	2.01.004.010658	Seat Back Armrest	1	827.4/4+2
18	3.02.011.300142	Backrest Armrest	4	827.4/4+2



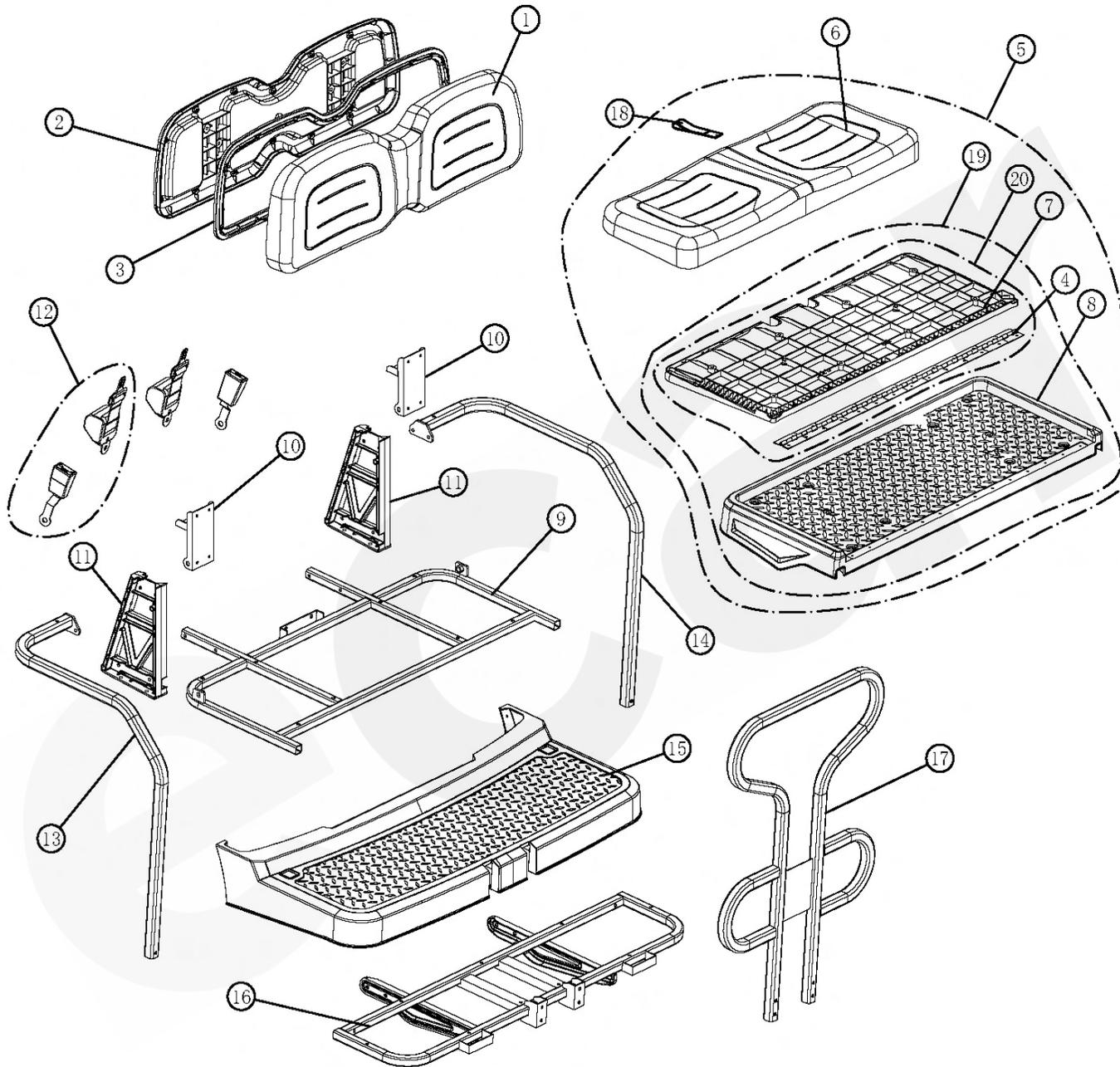
A827.6/6+2



 **Seat Parts (5)**

NO:	Code	Name	QTY	Remark
1	3.02.005.000696	Front Seat Cushion	1	827.6/6+2
2	3.02.011.300127	Front Seat Cushion Frame	1	827.6/6+2
3	3.02.011.300126	Front Seat Cushion Floor	1	827.6/6+2
4	3.02.005.000695	Seat Back	1	827.6/6+2
5	3.02.011.300029	Seat Back Frame	1	
6	3.02.011.300025	Seat Back Cover	1	
7	3.02.011.300129	Armrest R	1	827.6/6+2
8	3.02.011.300130	Armrest L	1	827.6/6+2
9	3.02.014.000303	Cushion Rubber Pad	13	827.6/6+2
10	3.02.014.000326	Automatic Locking Two-Point Safety Belt	2	827.6/6+2
11	3.01.006.200090	Cushion Hinge	2	827.6/6+2
12	2.01.007.900045	Seat Box Support	1	827.6/6+2
13	3.02.011.000206	Seat Box	1	827.6/6+2
14	3.02.001.000169	Backrest Elbow Plug	2	
15	2.01.004.010552	Front Backrest Elbow	2	827.6/6+2
16	3.02.007.000072	Seat Back Armrest Fix	2	827.6/6+2
17	2.01.004.010658	Seat Back Armrest	1	827.6/6+2
18	3.02.011.300142	Backrest Armrest	4	827.6/6+2

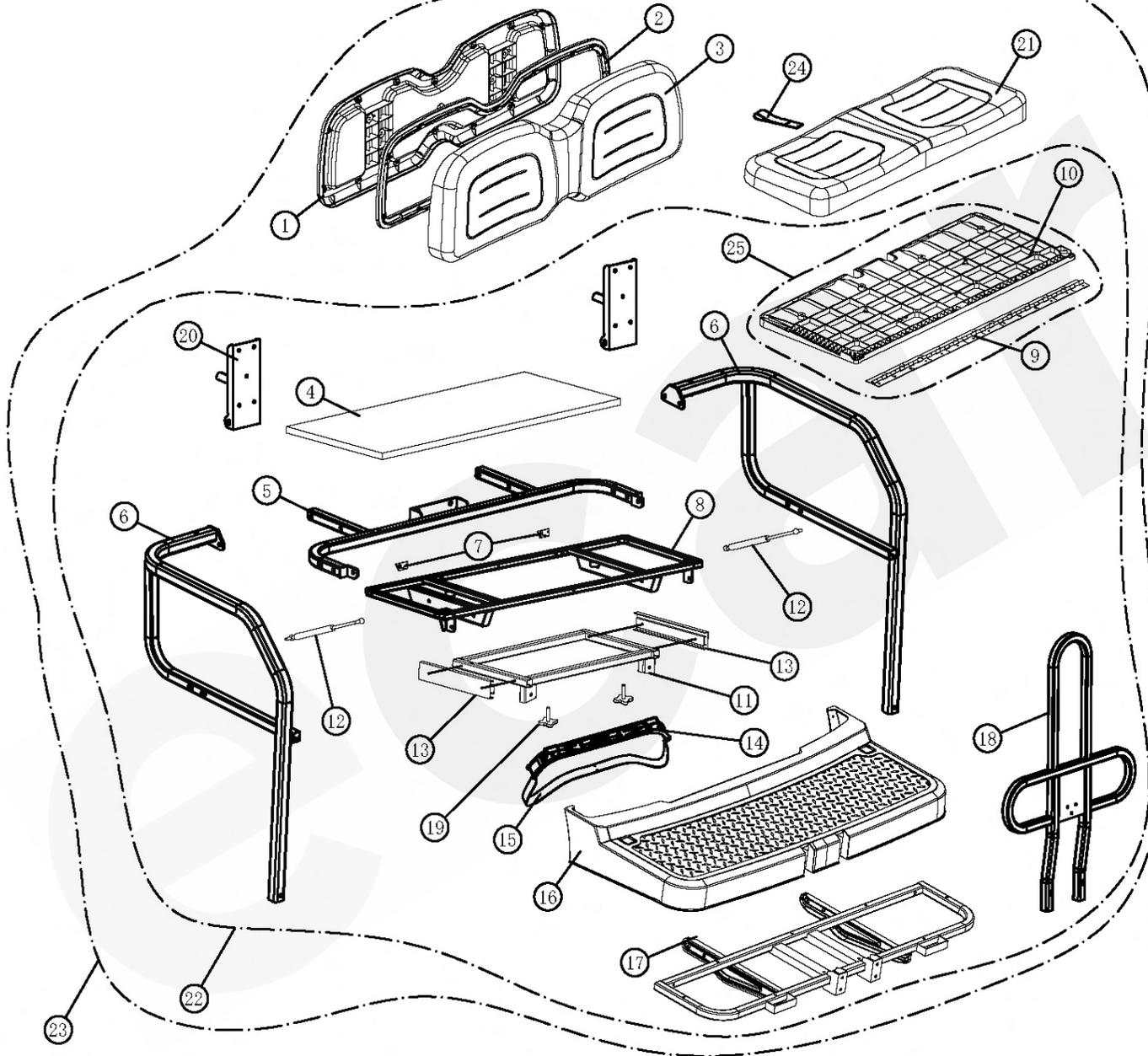




## Rear Seat (1)

NO:	Code	Name	QTY	Remark
1	3.02.005.000697	Rear Seat Back	1	
2	3.02.011.300030	Rear Seat Back Cover	1	
3	3.02.011.300031	Rear Seat Back Frame	1	
4	3.01.006.900124	Plastic Hinge	1	
5	3.02.005.000482	Foldable Rear Seat Cushion Assy	1	
6	3.02.005.001136	Foldable Rear Seat Cushion	1	
7	3.02.011.300089	Foldable Rear Seat Turnor Board	1	
8	3.02.011.300132	Foldable Rear Seat Cushion Floor	1	
9	2.01.004.010235	Foldable Rear Seat Frame	1	
10	2.01.004.010551	Rear Seat Back Fixed Support	2	
11	3.01.005.010068	Backrest Bracket/L	2	
12	3.02.014.000325	Automatic Locking Two-Point Safety Belt	2	
13	2.01.007.800066	Rear Seat Side Armrest/L	1	
14	2.01.007.800076	Rear Seat Side Armrest/R	1	
15	3.02.011.300036	Caddie Padel	1	
16	2.01.004.210109	Caddie Padel Frame	1	
17	2.01.007.800077	Rear Seat Rear Armrest	1	
18	3.02.014.000397	Foldable Rear Seat Cushion Drawstring	1	
19	3.02.011.300236	Foldable Rear Seat Bottom Plate Assy	1	
20	3.02.011.300263	Foldable Rear Seat Turnor Board Assy	1	

## Rear Seat (2)



NO:	Code	Name	QTY	Remark
1	3.02.011.300030	Rear Seat Back Cover	1	
2	3.02.011.300031	Rear Seat Back Frame	1	
3	3.02.005.000697	Rear Seat Back	1	
4	2.01.004.010621	Rear Seat Frame Aluminum Plare	1	
5	2.01.004.010617	Rear Seat Back Supporting Frame	1	
6	2.01.004.010618	Flip Golf Seat Armrest-L	1	
	2.01.004.010619	Flip Golf Seat Armrest-R	1	
7	3.01.006.000024	Seat Cushion Hinge	2	40*40*4.0
8	2.01.004.010620	Flip Golf Seat Underframe/Down	1	
9	3.01.006.900124	Plastic Hinge	1	
10	3.02.011.300089	Foldable Rear Seat Turnover Board	1	
11	2.01.004.010273	Flip Golf Seat-Golf Bag Frame	1	
12	3.01.006.000496	Hydraulic Pole	2	
13	3.01.006.000497	Hydraulic Pole	2	120KG 300mm
14	3.02.014.000087	Golf Bag Frame Card Strip	1	
15	3.02.014.000086	Golf Bag Belt	1	
16	3.02.011.300036	Caddie Padel	1	
17	2.01.004.210109	Caddie Padel Frame	1	
18	2.01.004.010615	Real Seat Armrest	1	
19	3.01.004.110115	Screw	2	M8*40
20	2.01.004.010616	Rear Seat Back Fixed Support	2	
21	3.02.005.001136	Foldable Rear Seat Cushion	1	
22	2.03.001.000061	Foldable Rear Seat Structure Assy	1	
23	5.01.002.300279	Foldable Rear Seat	1	
24	3.02.014.000397	Foldable Rear Seat Cushion Drawstring	1	A617
25	3.02.011.300263	Foldable Rear Seat Turnorer Board Assy	1	A627



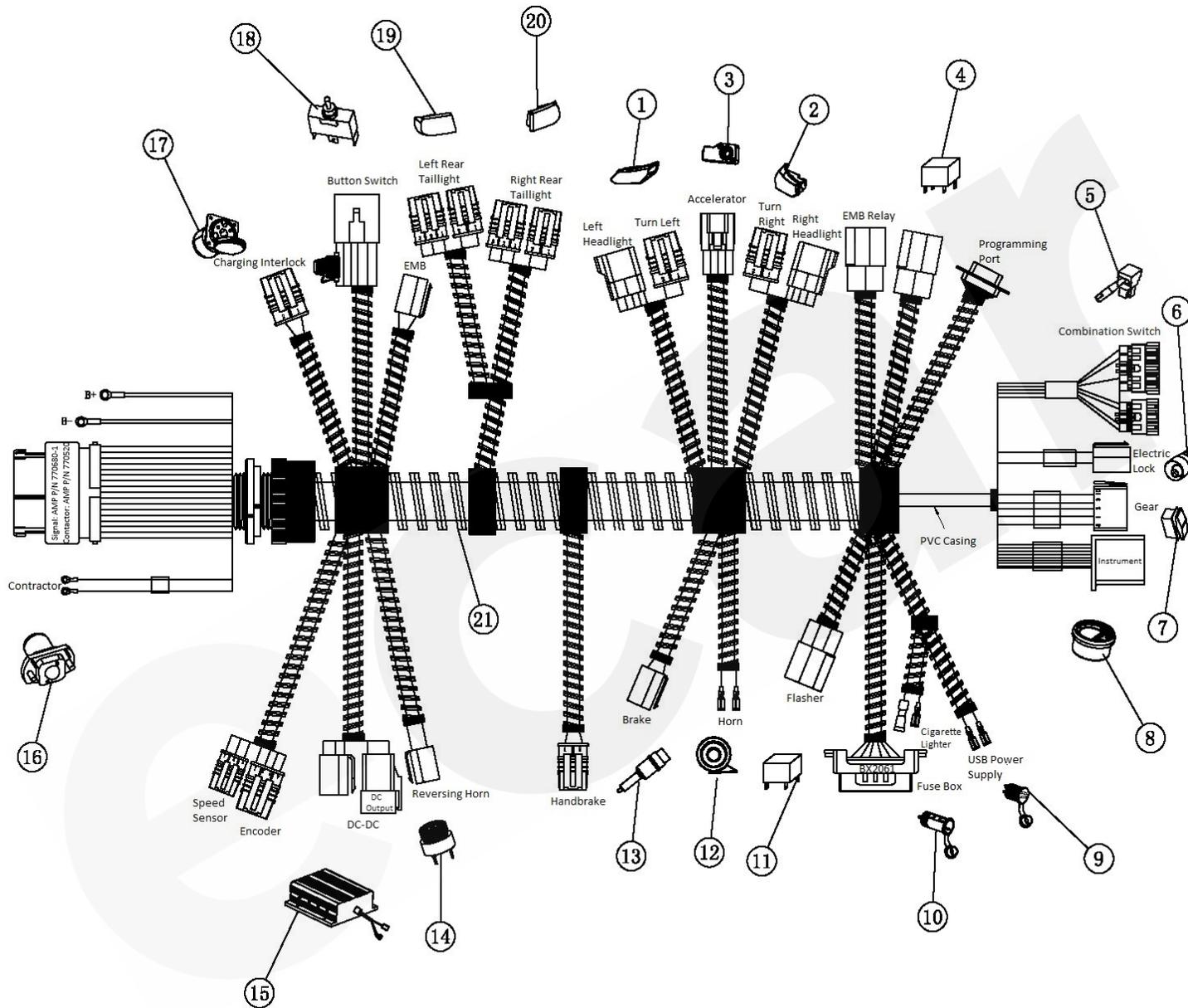








## Wire Harness



NO:	Code	Name	QTY	Remark
1	3.03.001.900065	Front Head Light/L	1	
2	3.03.001.900068	Front Head Light/R	1	
3	3.03.017.000108	Accelerator Hall	1	
4	3.03.012.000011	Relay	1	
5	3.03.011.000025	Single Arm Combination Switch	1	
6	3.03.002.000027	Key Switch	1	
7	3.03.002.000013	Switch F/R	1	
8	3.03.011.000072	Combination Meter	1	
9	3.03.001.000138	USB Connector	1	
10	3.03.017.000045	NEV2 Cigarette Lighter	1	
11	3.03.017.900004	Flasher	1	
12	3.03.010.000007	Fanfare From	1	
13	3.03.002.000012	Brake Light Switch	1	
14	3.03.010.000008	Buzzer	1	
15	3.03.016.000001	DC/DC Converter	1	
16	3.03.015.000001	48V Sensor	1	ZJ200A
17	3.03.009.900014	Charger Receptacle	1	30A
18	3.03.002.000004	Two Switch(2 Level)	1	
19	3.03.001.900069	Rear Light/L	1	A827
20	3.03.001.900070	Rear Light/R	1	A827
	3.03.004.900159	LT-A827.2 (FT-4801) A827.2 Entire Wiring Harness	1	827.2/2+2
21	3.03.004.900163	LT-A827.4 (FT-4801) A827.4 Entire Wiring Harness	1	827.4/4+2
	3.03.004.900164	LT-A827.6 (FT-4801) A827.6 Entire Wiring Harness	1	827.6/6+2