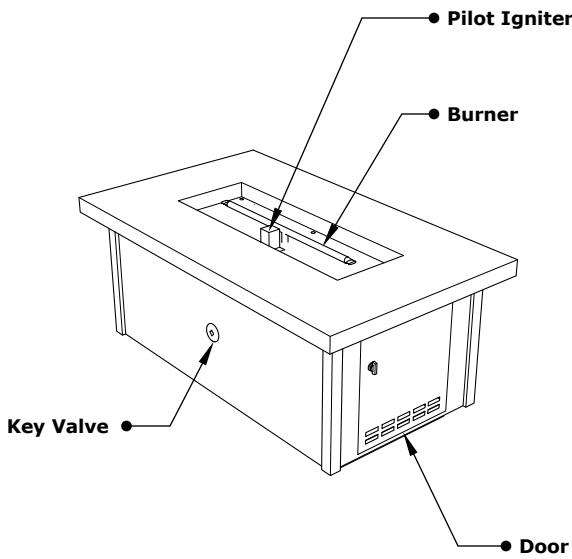
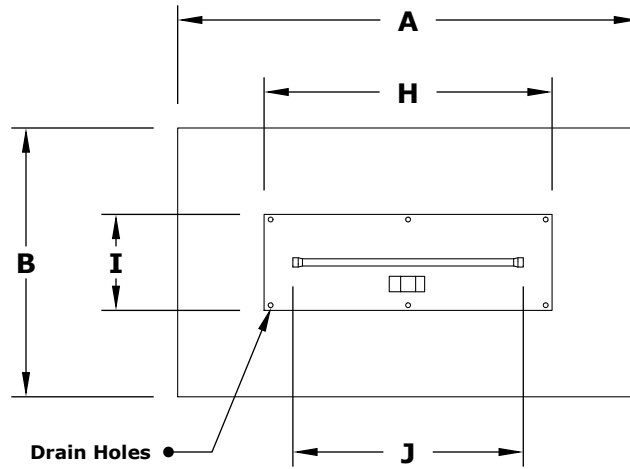


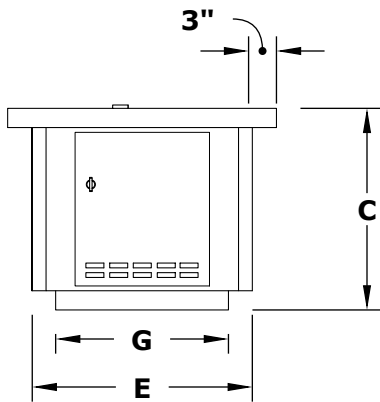
# SALINAS FIRE TABLE



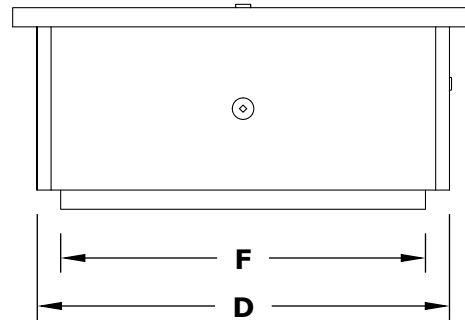
**ISOMETRIC VIEW**



**TOP VIEW**



**RIGHT SIDE VIEW**



**FRONT SIDE VIEW**

PART NUMBER	A	B	C	D	E	F	G	H	I	J	BTU
OPT-SALCS48	48"	28"	21"	43"	23"	38"	18"	30"	10"	24"	65,000
OPT-SALCS60	60"	28"	21"	55"	23"	50"	18"	42"	10"	36"	65,000
OPT-SALCS48EKIT	48"	28"	21"	43"	23"	38"	18"	30"	10"	24"	65,000
OPT-SALCS60EKIT	60"	28"	21"	55"	23"	50"	18"	42"	10"	36"	65,000

Fire Pit Material: GFRC Concrete  
 Pan Material: 304 Stainless Steel  
 Burner Material: 304 Stainless Steel  
 Standard 2" Depth on all pans  
**110V ELECTRONIC IGNITION**  
 ANSI Z21.97-(2017) / CSA 2.41-(2017)



Match Lit Unit Includes: Pan, Burner, Gas Orifice, Gas Hoses, Key Valve, Key,  
 110v Ignition Unit Includes: Pan, Burner, Gas Orifice, Gas Hoses, Key Valve, Key, Plug & Play Electronic Valve, Pilot Igniter.

*Proprietary & Confidential:* The information contained in this drawing is the sole property of **The Outdoor Plus**. Any reproduction or as a whole without written permission of **The Outdoor Plus** is prohibited.