

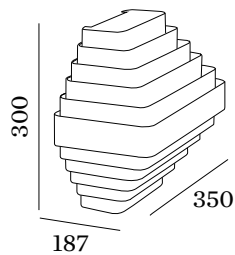
J.J.W.

16-July-2016

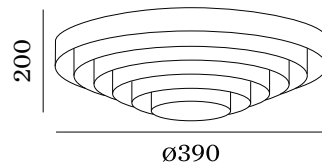
| | | |
|------------|---------------------|---|
| 01 | 2054E8S0 / 2054E8G0 | 2xQA60 max. 53W E27 220-240VAC 50-60Hz |
| 02 | 2055E8S0 / 2055E8G0 | QA60 max. 53W E27 220-240VAC 50-60Hz |
| 03 | 2051E8S0 / 2051E8G0 | 3x QA60 max. 53W E27 220-240VAC 50-60Hz |
| 04 | 2052E8S0 / 2052E8G0 | 6x QA60 max. 53W E27 220-240VAC 50-60Hz |
| 042 | 2056E8S0 / 2056E8G0 | 6x QA60 max. 53W E27 220-240VAC 50-60Hz |
| 05 | 2053E8S0 / 2053E8G0 | 3x QA60 max. 53W E27 220-240VAC 50-60Hz |

CE IP20 0.9m

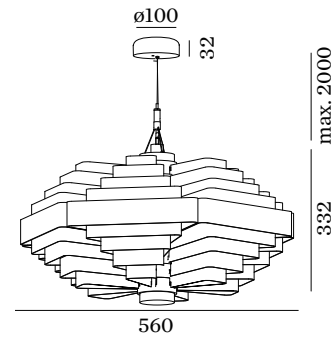
J.J.W. 01



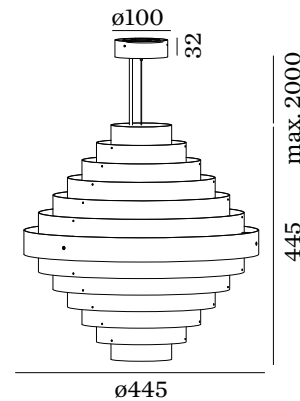
J.J.W. 03



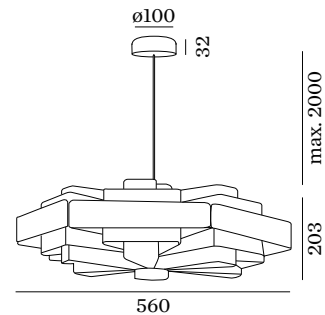
J.J.W. 042



J.J.W. 05

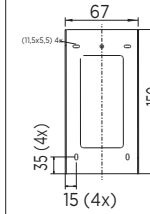


J.J.W. 04

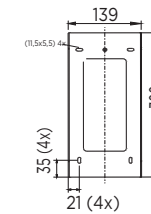


DIMENSION HOLES

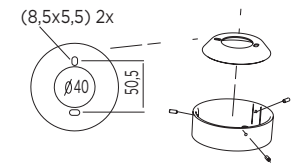
J.J.W.02



J.J.W.01



J.J.W.03-04-042-05

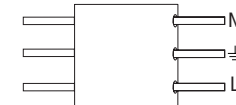


1 MOUNTING INSTRUCTION

For the J.J.W 01/02: remove the backplate and mount to the wall with screws.
for the J.J.W 03/04/042/05: remove the top cover.
Fixate the baldachin to the ceiling with screws.

2 POWER CONNECTION

Connect the wires
connection: STANDARD version



3 Mount the fixture to the backplate or topplate.

2 EXTRA INFO

Lamp replacement: all lamps can be replaced by hand, make sure the lamp is cold.
For esthetic reasons: please make sure that all blades hang parallel after installation.

PB19-010-161-00



WEVER & DUCRÉ
LIGHTING

www.weverducre.com

Wever & Ducre bvba Kwadestraat 153 bus 2.1 8800 Roeselare

INSTALLATION INSTRUCTIONS