

INTRA

25-Sep.-2017

1.0 OPAL

LED 7W | 220-240VAC | PCB 3-step | incl. power supply | phase-cut dim

CE IP65 0.3-10

3000K | >90CRI | 350lm | opal glass

white texture	733168W5
inox	733168I5
dark grey texture	733168D5

2.0 SPOT

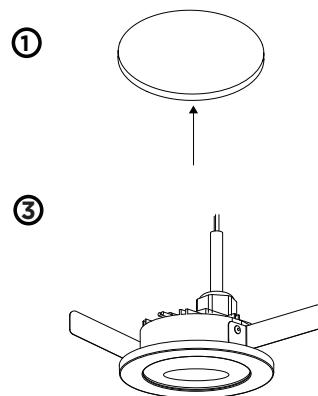
LED 7W | 220-240VAC | COB 3-step | incl. power supply | phase-cut dim

CE IP65 0.3-10

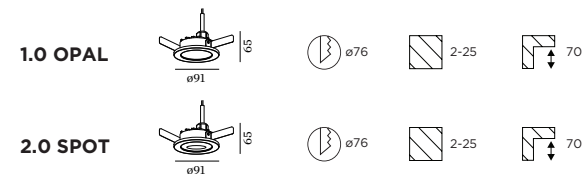
3000K | >80CRI | 590lm | lens

white texture	733158W4
inox	733158I4
dark grey texture	733158D4


1.0 / 2.0



DIMENSIONS



MOUNTING INSTRUCTION

- 1 Make a hole in the ceiling according to the prescribed dimensions.
- 2 **POWER CONNECTION**
Connect

- 3 Insert the fixture in the hole



Caution, risk of electric shock

The light source of the integrated LED is not replaceable; When the light source reaches its end of life the whole luminaire shall be replaced.