

DEEP ASYM

06-07-2015

1.0 LED

LED 7/10W | 350-500mA | COB 3-step | excl. power supply
 CE P20 960°C $0,9\text{m}$ $35^{\circ}/35^{\circ}$ 355°

white texture	112461W_
silver / grey	112461S_
gold	112461G_
black texture	112461B_

LIGHT COLOUR

2200K >80CRI 315-465lm 15Vf	1
2700K >90CRI 420-590lm 18Vf	3
3000K >90CRI 470-640lm 18Vf	5

ALWAYS USE

for power supplies see our catalogue

1.0 MR16

QR-CBC51 max. 50W | GU5.3 | 12V | excl. transformer
 CE P20 960°C $0,9\text{m}$ $35^{\circ}/35^{\circ}$ 355° DO NOT COVER

white texture	112410W0
silver / grey	112410S0
black texture	112410B0

ALWAYS USE

for transformers see our catalogue

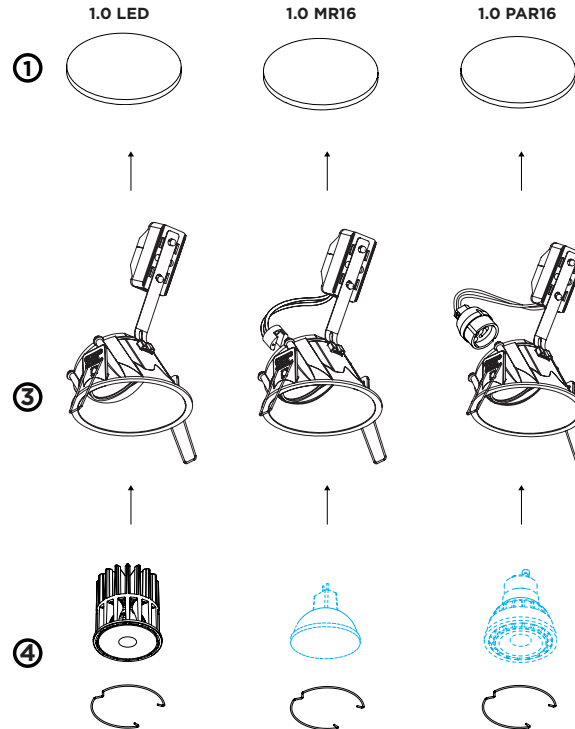
1.0 PAR16

PAR16 max. 50W | GU10 | 220-240VAC | 50-60Hz
 CE P20 960°C $0,9\text{m}$ $35^{\circ}/35^{\circ}$ 355° DO NOT COVER

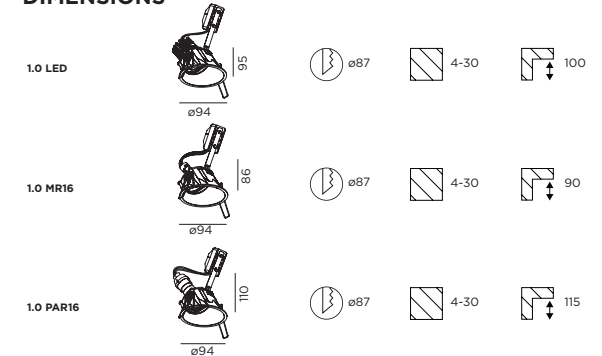
white texture	112420W0
silver / grey	112420S0
black texture	112420B0

OPTIONAL

for PAR16 lamps see our catalogue



DIMENSIONS



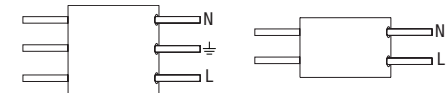
MOUNTING INSTRUCTION

- 1 Make a hole in the ceiling according to the prescribed dimensions.

POWER CONNECTION

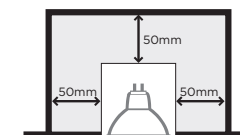
- 2 Connect the power supply.

Interior: STANDARD version
 serial connection for LED



- 3 Insert the fixture in the hole
- 4 For MR16 | PAR16
Place the lamp and fix with inner part of DEEP

SAFETY DISTANCE FOR HALOGEN LAMPS



WEVER & DUCRÉ
 LIGHTING

www.weverducre.com

INSTALLATION
 INSTRUCTIONS