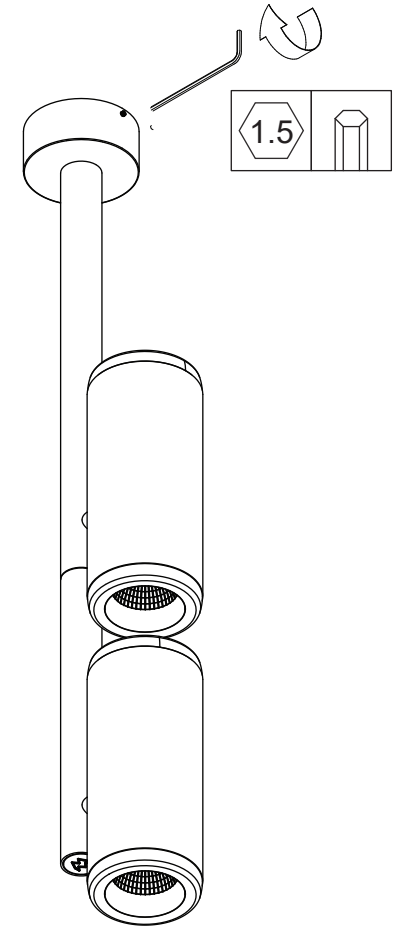
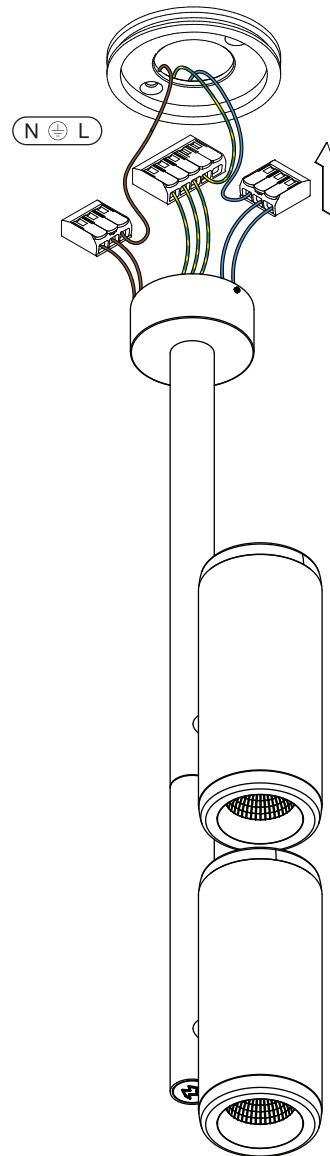
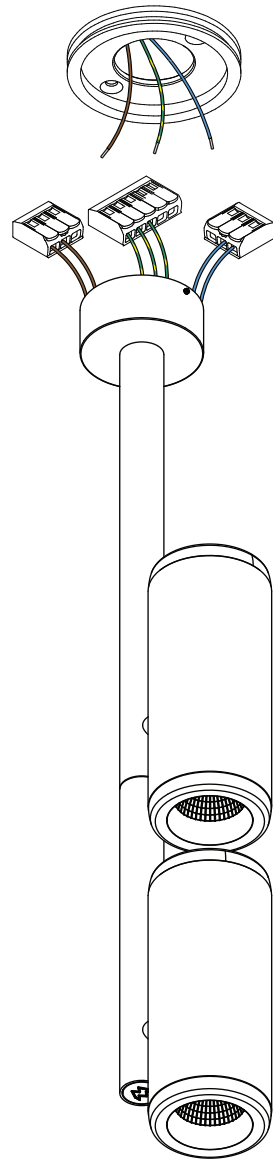
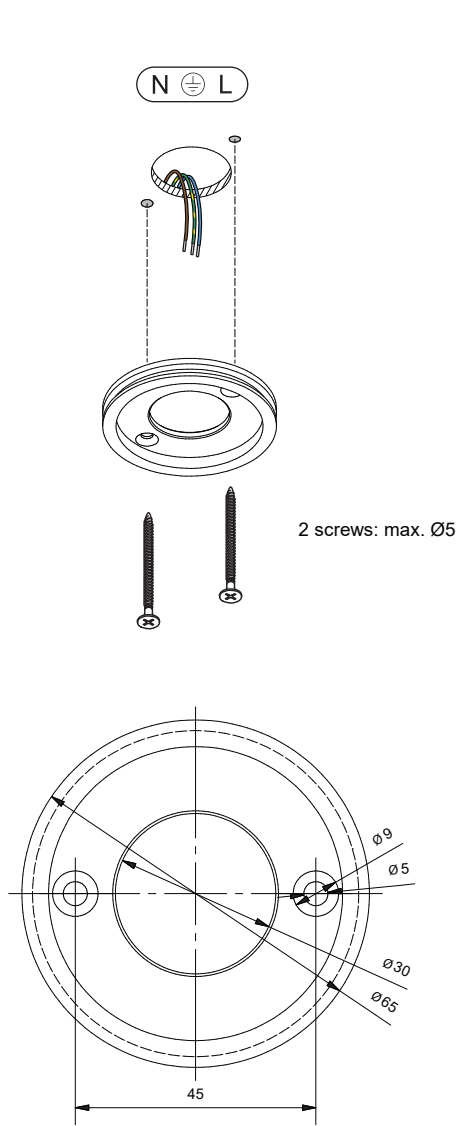




Médard 70 Stretched 2x LED TrE DIM

116510XX_116511XX_116512XX_116513XX_116514XX_116515XX



	LIGHT SOURCE - DO NOT TOUCH LED Touching the LED can result in permanent damage of the light source. The light source contained in this luminaire shall only be replaced by the manufacturer or his service agent or a similar qualified person.
	PREVENTING ELECTROSTATIC DAMAGE A discharge of static electricity may damage sensitive components. Always be properly grounded when touching leads or circuitry inside the luminaire. Use a wrist strap connected by a ground cord to the housing. Avoid touching the light sources with bare hands.

220-230V
50-60Hz

L, C

↑

⏏

⚡

CE