

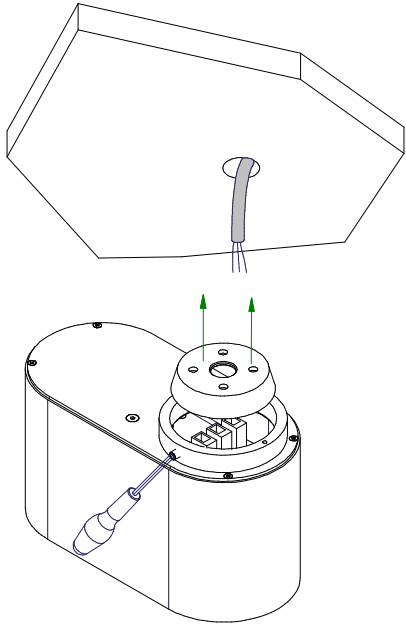
Duell surface 1XES50 / LED

110707XX

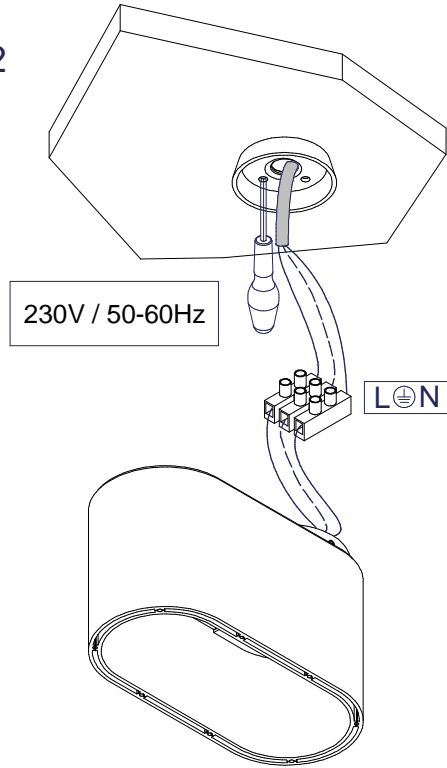
Lamptype : Gu10

Fitting : 1x QPAR 16 max. 50W

1



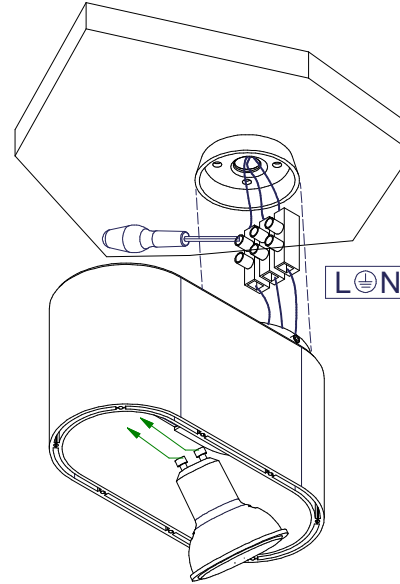
2



230V / 50-60Hz

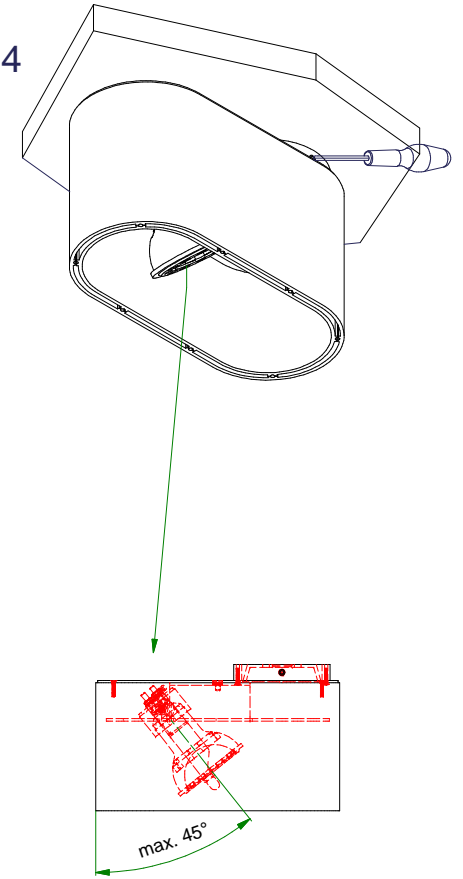
L N

3



L N

4



max. 45°

If halogen lamp:
max 50W



If retrofit LED lamp:
only suitable for short version

