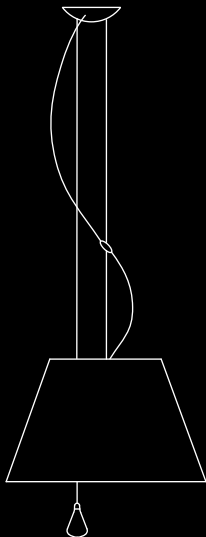
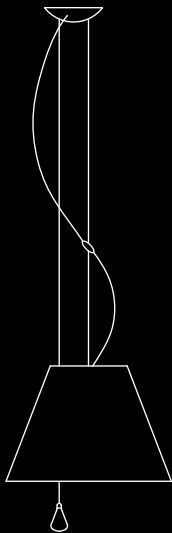


# COSTANZA - LADY COSTANZA

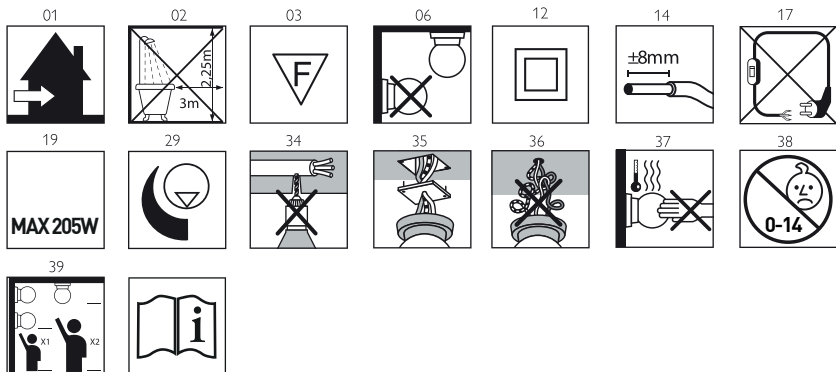
design Paolo Rizzatto



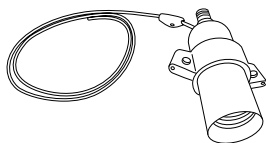
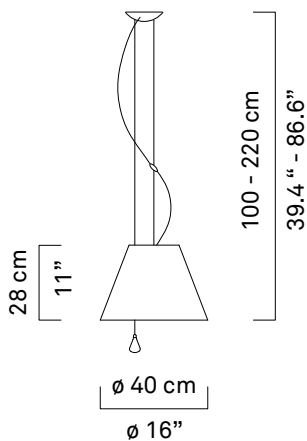
**LUCE  
PLAN**

D13 - D13E





D13 sa.s.



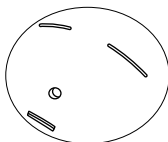
x1



x1



x2

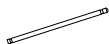


x1



5 m  
1970"

x1



x2



x1



x1



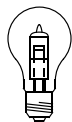
1 kg



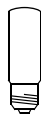
2.2 lb



20/23W  
FB  
E27

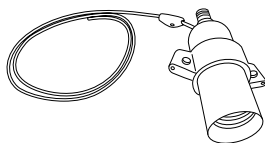
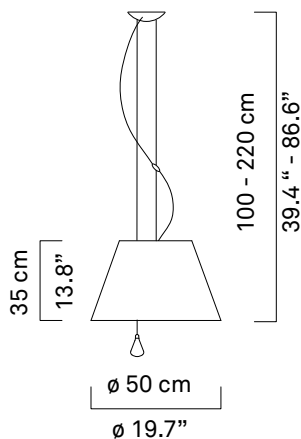


105/140W  
HSGSA  
E27  
energy saver



max 205W  
HSGST  
E27  
energy saver

D13E sa.s.



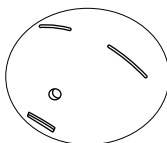
x1



x1



x2

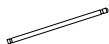


x1



5 m  
1970"

x1



x2



x1



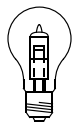
x1

**kg** 1,5 kg

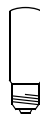
**lb** 3.3 lb



20/23W  
FB  
E27



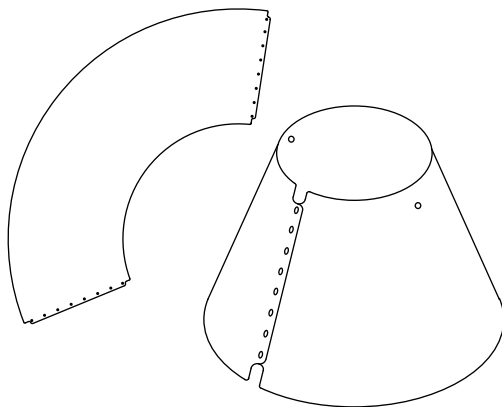
105/140W  
HSGSA  
E27  
energy saver



max 205W  
HSGST  
E27  
energy saver

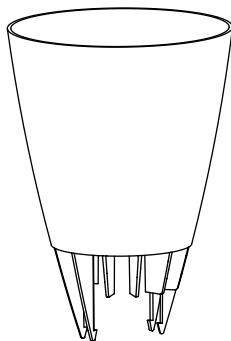
---

D13/1 - D13E/1



---

D13/90



## D13/25



x1

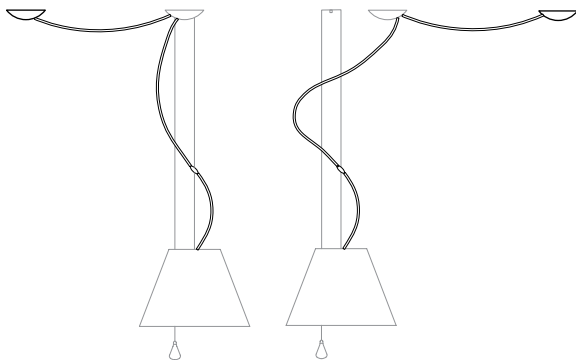
3 m  
1180"



x1



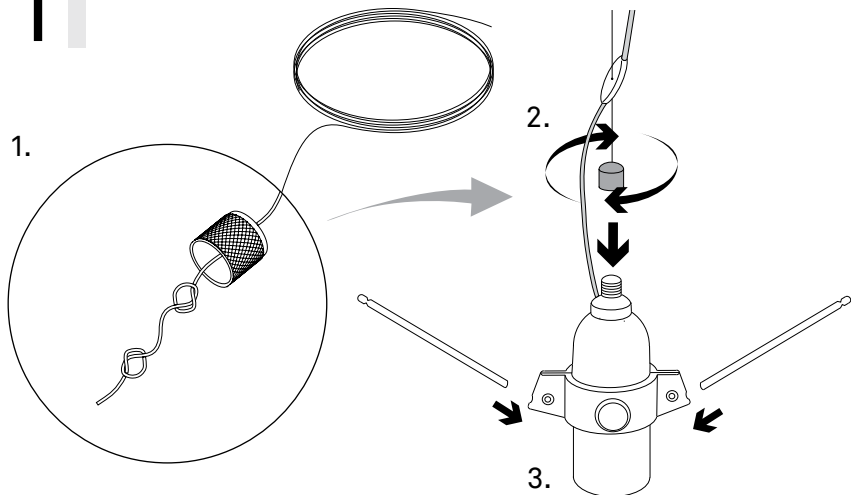
x1



---

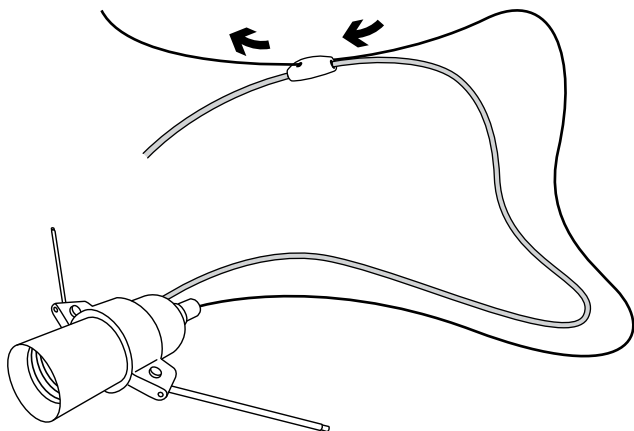
# 1

1.

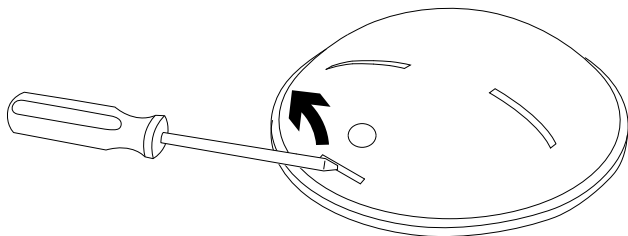


---

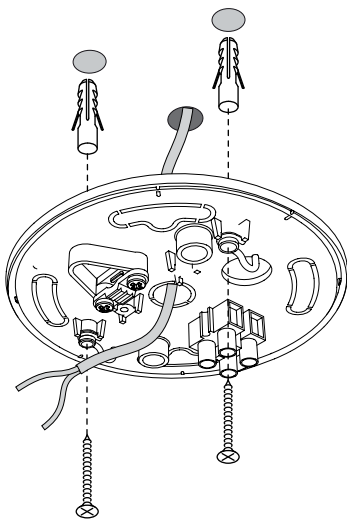
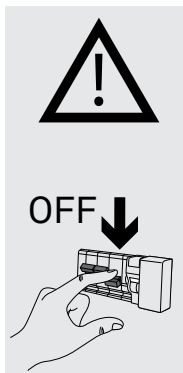
# 1.1



## 1.2

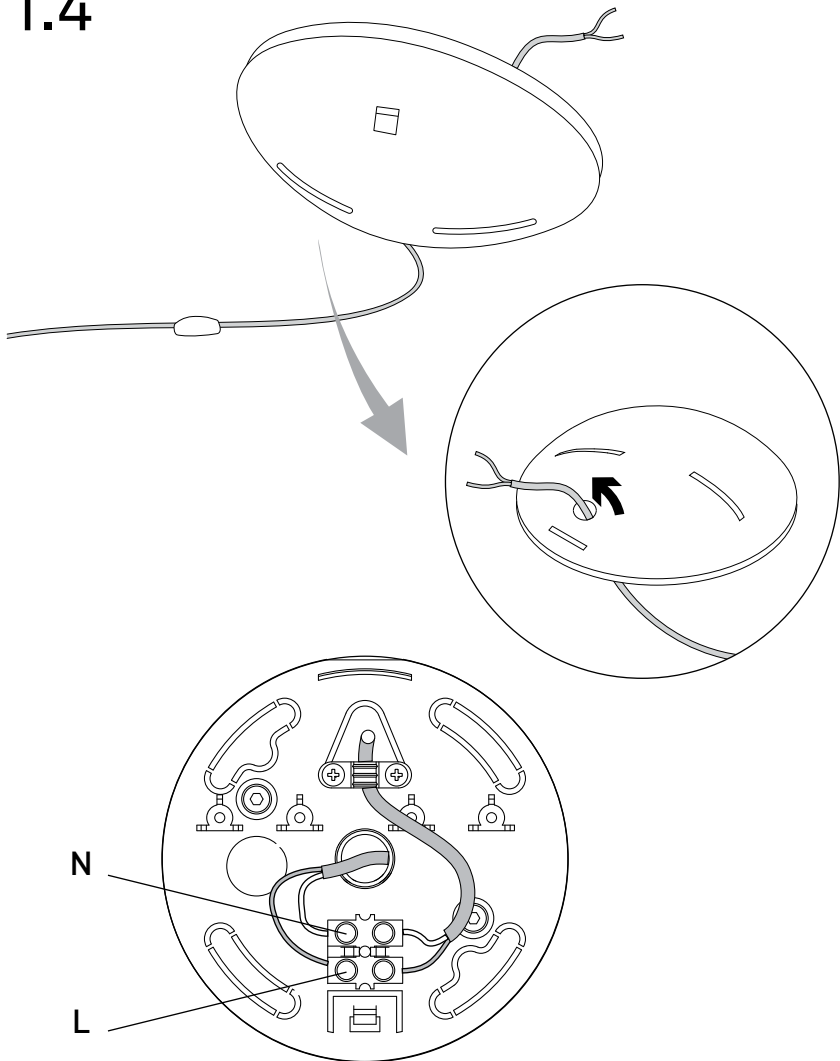


## 1.3

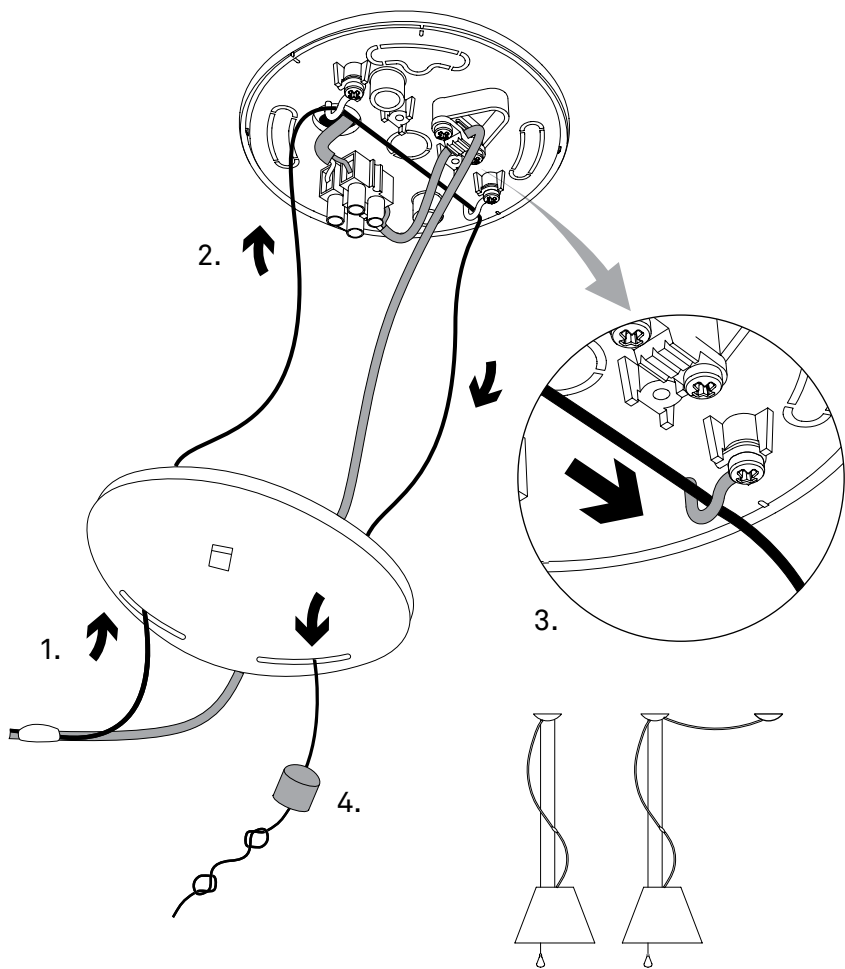




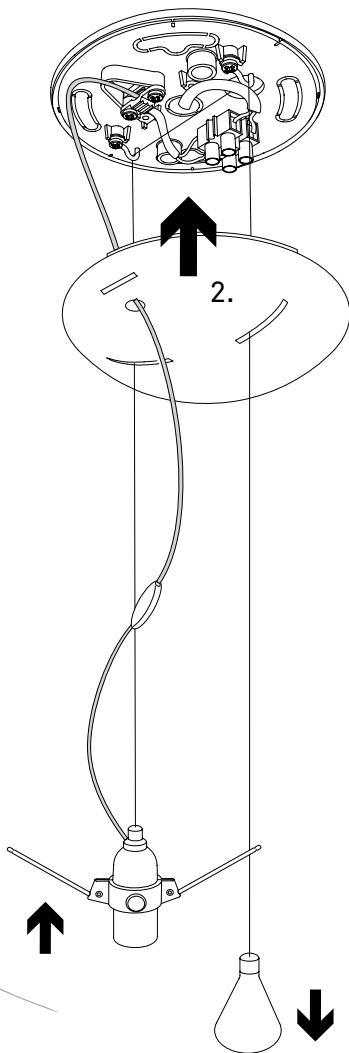
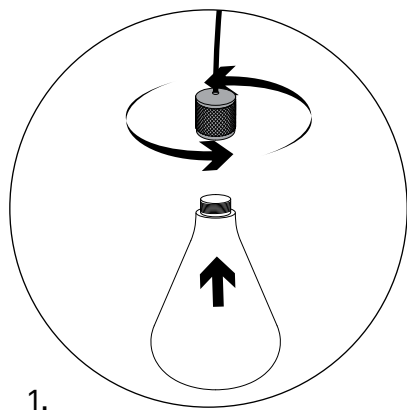
# 1.4



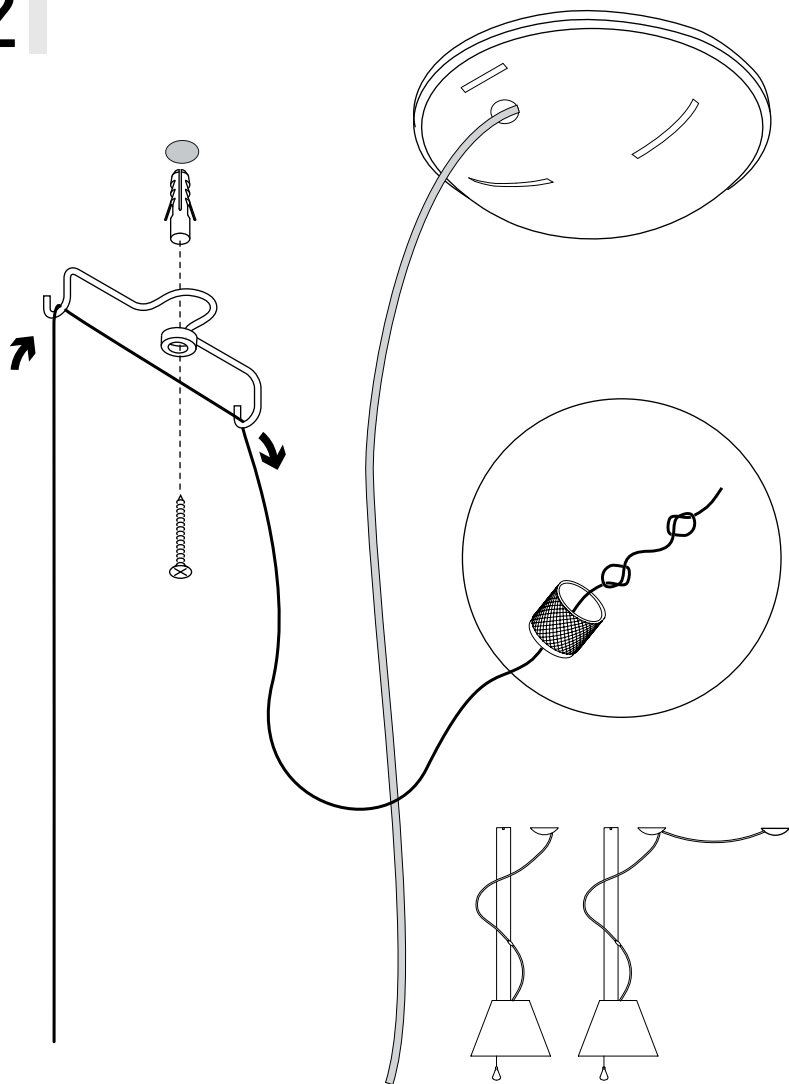
2

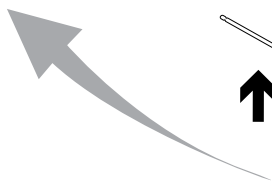
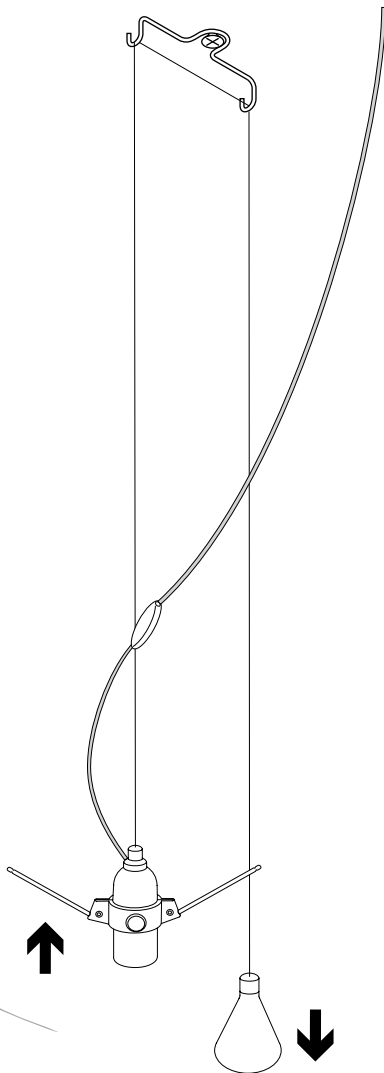
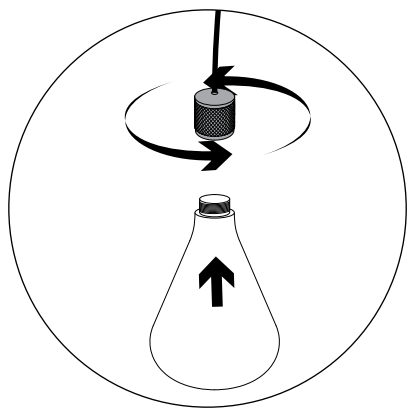


# 2.1

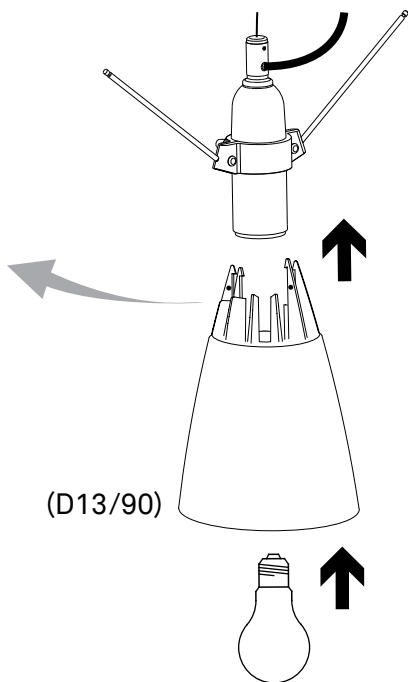
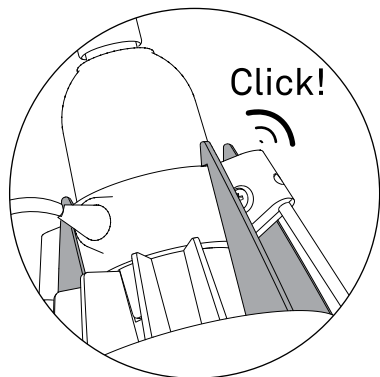


2

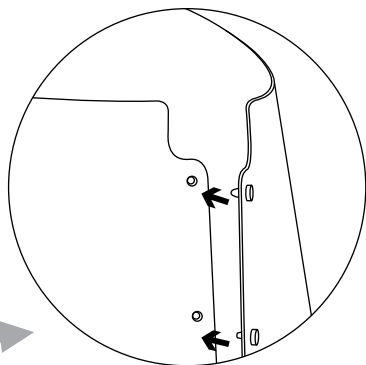
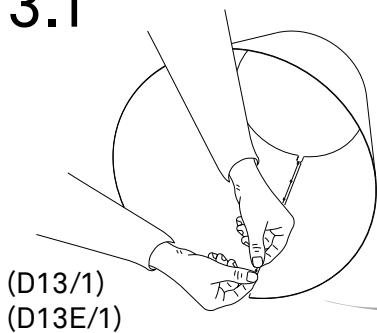


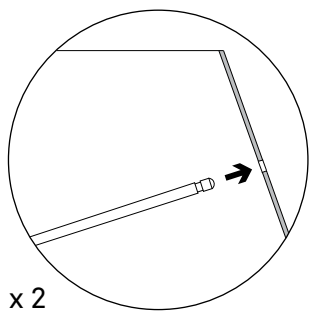


3

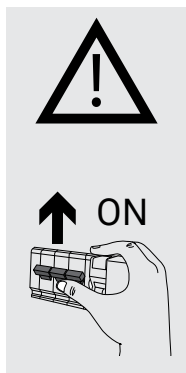
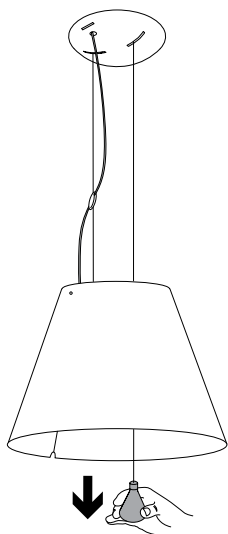
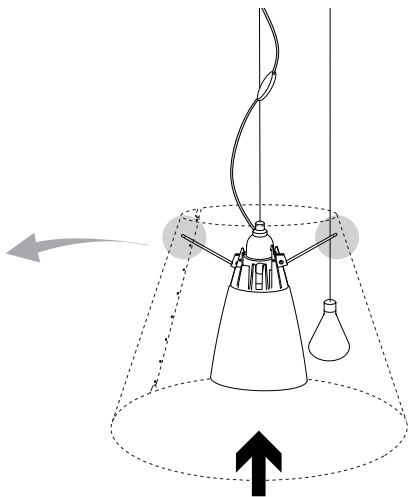


3.1





x 2





[www.luceplan.com](http://www.luceplan.com)

D130IA221