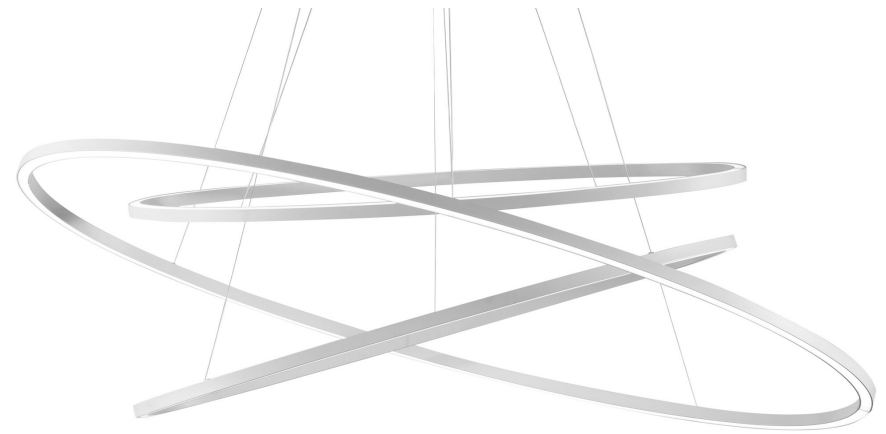


ELLISSE PENDANT TRIPLE

Federico Palazzari

LED pendant provides diffused orientable light. Made from extruded aluminum in different finishes: matt lacquered white, black or gold, or polished in natural or gold. Equipped with an opal diffuser. The lamps are made using a proprietary extrusion coupling technology.



LED 2700K

LAMPING

Source	linear LED
Total power	70W
Emission	diffused orientable uplight(minor), diffused orientable downlight (major/minor)
Switching	dimnable 1-10V
Tension	120V
Color temperature	2700K
Luminous flux	1050+1630+1050lm (luminous output)
Typ CRI	85
Energy class	A+
IP class	20
Dimensions	53.2 x 27.6 x 8
Materials	Aluminum + PC
Notes	adjustable cable length 8.2' max, DALI version on request

Codes

ELP LW2 57
ELP LN2 57
ELP LL2 57
ELP LO2 57
ELP LGW 57

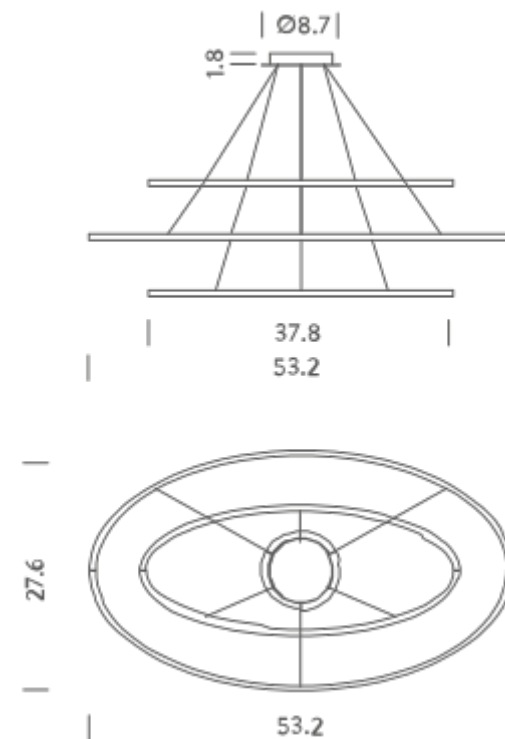
Structure

white
black
polished aluminum
gold painted
gold polished anodized

PACKAGE

Package 01 Dimension: 31.5 x 59.1 x 5.9 inches / Gross weight: 16.5 lbs

Certificazioni



LED 3000K

LAMPING

Source	linear LED
Total power	70W
Emission	diffused orientable uplight(minor), diffused orientable downlight (major/minor)
Switching	dimnable 1-10V
Tension	120V
Color temperature	3000K
Luminous flux	1050+1630+1050lm (luminous output)
Typ CRI	85
Energy class	A+
IP class	20
Dimensions	53.2 x 27.6 x 8
Materials	Aluminum + PC
Notes	adjustable cable length 8.2' max, DALI version on request

Codes

ELP LWW 57
ELP LNW 57
ELP LLW 57
ELP LOW 57

Structure

white
black
polished aluminum
gold painted

PACKAGE

Package 01 Dimension: 31.5 x 59.1 x 5.9 inches / Gross weight: 16.5 lbs

Certificazioni

