

ELLISSE PENDANT DOUBLE

Federico Palazzari

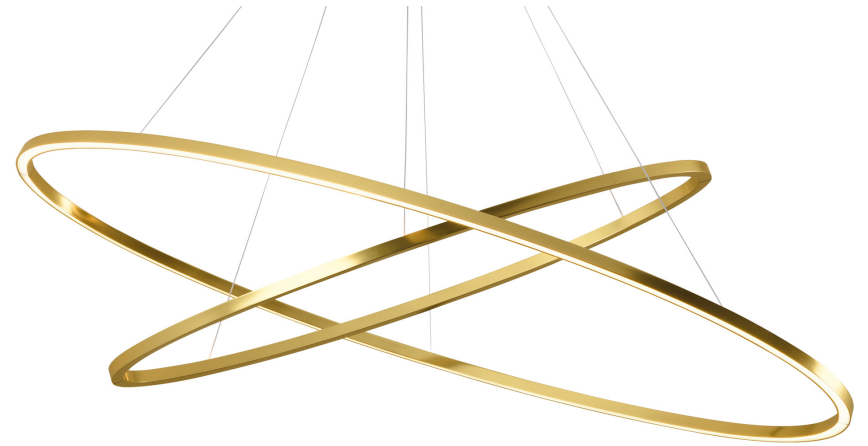
Collection of LED pendants, floor/wall lamps available in different versions: major, minor, double, triple and mega provides a direct or indirect diffused light.

In extruded aluminum in different versions: matt lacquered in the finishes, white, black and gold, natural polished and gold polished anodized.

Equipped with an opal diffuser.

The lamps are made using a proprietary extrusion coupling technology.

Ellisse Major is also available as floor or wall versions and is provided with a black marble base or a wall hook accessory.



LED 2700K

LAMPING

Source	linear LED
Total power	90W
Emission	diffused orientable uplight(minor), diffused orientable downlight (major)
Switching	dimmable 1-10V
Tension	110/240V
Color temperature	2700K
Luminous flux	2825+1850lm
Typ CRI	85
Energy class	A+
Materials	Aluminium
Notes	adjustable cable length from 2,5m to 0,4m, DALI version on request

Codes

ELP LW2 56
ELP LN2 56
ELP LO2 56
ELP LL2 56
ELP LGW 56

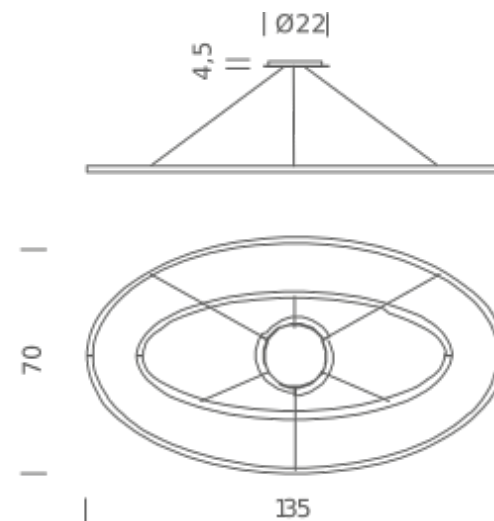
Structure/Diffuser

white/white
black/white
gold painted/white
polished aluminium/white
gold polished anodized/white

PACKAGE

Package 01 Dimension: 15x80x150 cm / Gross weight: 7,5 kg

Certificazioni



LED 3000K

LAMPING

Source	linear LED
Total power	90W
Emission	diffused orientable uplight(minor), diffused orientable downlight (major)
Switching	dimmable 1-10V
Tension	110/240V
Color temperature	3000K
Luminous flux	2825+1850lm
Typ CRI	85
Energy class	A+
Materials	Aluminium
Notes	adjustable cable length from 2,5m to 0,4m, DALI version on request

Codes

ELP LWW 56
ELP LNW 56
ELP LOW 56
ELP LLW 56

Structure/Diffuser

white/white
black/white
gold painted/white
polished aluminium/white

PACKAGE

Package 01 Dimension: 15x80x150 cm / Gross weight: 7,5 kg

Certificazioni

