

Ato

Specifications

kreon ato

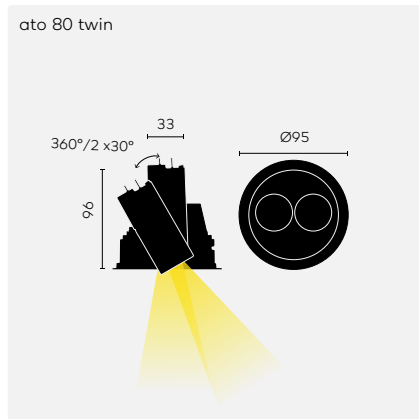
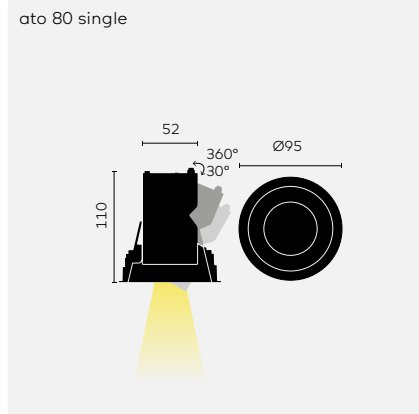
kreon ato provides a truly versatile lighting tool. It is a recessed indoor spotlight family for focused light. With single or double directional lampheads they, meet the needs of accent lighting requirements in residential environments, commercial premises and hospitality projects. kreon ato has a rotational adjustment of 360° and an angular adjustment of 30° which, when combined with the choice of high quality reflectors with faceted spherical smooth surfaces provides a truly versatile accent lighting tool. kreon ato single comes in two beam angles, flood (30°) and wide flood (40°) and can be additionally equipped with professional screening accessories. kreon ato twin has two lampheads with 30° flood optics than can be tilted independently.



ato 80 single, black with copper lamphead and glare preventer



ato 80 twin, white with chrome lampheads



	Colour trim	KR-code	Light sources	9027 2700K, CRI90+	9030 3000K, CRI90+	FL Flood (30°)	WFL Wide flood (40°)	P1 White lamphead	P2 Black lamphead	A0 Chrome lamphead	A5 Red copper lamphead	Optional accessories
ato 80 single Ø 90 H min. 110	○	KR937911	①	●	●	●	●	●	●	●	●	■
	●	KR937912	①	●	●	●	●	●	●	●	●	■
ato 80 twin Ø 90 H min. 110	○	KR937921	②	●	●	●		●	●	●	●	■
	●	KR937922	②	●	●	●		●	●	●	●	■
Optional accessories												
Plasterkit concrete		KR737702	Plasterkit for concrete installation									
Glare preventer (only for ato 80 single)	○	KR706721	Straight glare preventer, white, H30									
	●	KR706722	Straight glare preventer, black, H30									
	●	KR706720	Straight glare preventer, chrome, H30									
	●	KR706725	Straight glare preventer, red copper, H30									
Lenses		KR706070	Anti-glare louvre									
		KR706270	Diffusing lens									
Driver		KR772034	LED driver, 700mA, ON/OFF, 20W									
		KR772232	LED driver, 700mA, 1-10V, 20W									
		KR772236	LED driver, 700mA, DALI, 18W									
		KR772431	LED driver, 700mA, phase dim, 14W									

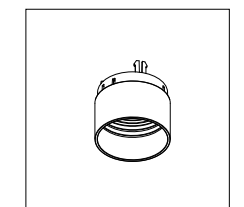
	CRI	CCT	Wattage	Drive current	Fixture lumen
① LED	CRI90+	2700K/3000K	12W	700mA	1150lm
② LED	CRI90+	2700K/3000K	2 x 6,7W	700mA	2 x 370lm

REMARKS

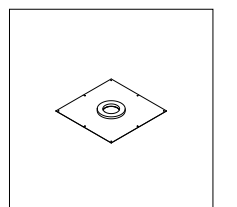
Lenses only in combination with a glare preventer. Max. 2 accessories per glare preventer.

Thickness boardmaterial:
9-26mm
Gear excluded.
◆ IP20

Straight glare preventer



Plasterkit concrete



kreon ato in-line

kreon ato in-line provides a truly versatile lighting tool. It is a trimless recessed indoor spotlight family for focused lighting. With single or double directional lampheads, they meet the needs of accent lighting requirements in residential environments, commercial premises and hospitality projects. kreon ato has a rotational adjustment of 360° and an angular adjustment of 30° which when combined with the choice of high quality reflectors with faceted spherical smooth surfaces provides a truly versatile accent lighting tool. kreon ato single comes in two beam angles, flood (30°) and wide flood (40°) and can be additionally equipped with professional screening accessories. kreon ato twin has two lampheads with 30° flood optics than can be tilted independently.

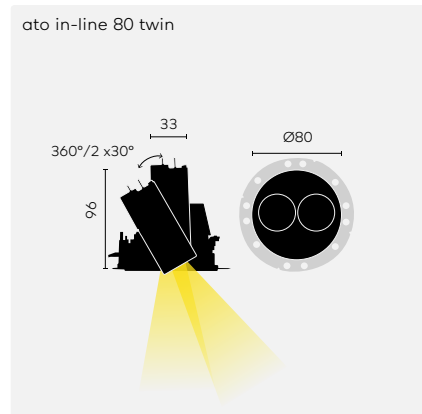
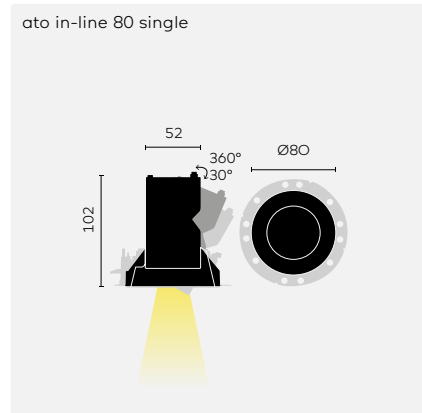


ato in-line 80 single, white with white lamphead



ato in-line 80 twin, black with chrome lampheads

kreon ato in-line 80



	Colour louvre	KR-code	Light sources	9027 2700K, CRI90+	9030 3000K, CRI90+	FL Flood (30°)	WFL Wide flood (40°)	P1 White lamphead	P2 Black lamphead	A0 Chrome lamphead	A5 Red copper lamphead	Required accessories	Optional accessories
ato in-line 80 single Ø 102 H min. 110	○	KR917911	①	●	●	●	●	●	●	●	●	■	■
	●	KR917912	①	●	●	●	●	●	●	●	●	■	■
ato in-line 80 twin Ø 102 H min. 110	○	KR917921	②	●	●	●		●	●	●	●	■	■
	●	KR917922	②	●	●	●		●	●	●	●	■	■
■ Required accessories													
Plasterkit		KR717104	Plasterkit, no shadowgap, trimless finish										
		KR717108	Plasterkit, shadowgap, trimless finish										
Plasterkit concrete		KR717101	Plasterkit for concrete installation, no shadowgap (430x430)										
		KR717102	Plasterkit for concrete installation, no shadowgap, small (200x200)										
		KR717109	Plasterkit for concrete installation, shadowgap (430x430)										
		KR717107	Plasterkit for concrete installation, shadowgap, small (200x200)										
■ Optional accessories													
Glare preventer (only for ato in-line 80 single)	○	KR706721	Straight glare preventer, white, H30										
	●	KR706722	Straight glare preventer, black, H30										
	●	KR706720	Straight glare preventer, chrome, H30										
	●	KR706725	Straight glare preventer, red copper, H30										
Lenses		KR706070	Anti-glare louvre										
		KR706270	Diffusing lens										
Driver		KR772034	LED driver, 700mA, ON/OFF, 20W										
		KR772232	LED driver, 700mA, 1-10V, 20W										
		KR772236	LED driver, 700mA, DALI, 18W										
		KR772431	LED driver, 700mA, phase dim, 14W										
Distance rings (for plasterkit concrete)		KR717307	Distance ring, 2mm (set of 5pcs.)										
		KR717308	Distance ring, 3mm (set of 5pcs.)										
		KR717309	Distance ring, 5mm (set of 5pcs.)										

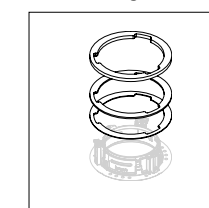
	CRI	CCT	Wattage	Drive current	Fixture lumen
① LED	CRI90+	2700K/3000K	12W	700mA	1150lm
② LED	CRI90+	2700K/3000K	2 x 6,7W	700mA	2 x 370lm

REMARKS

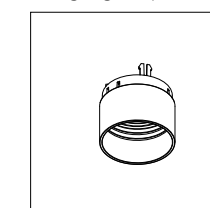
Lenses only in combination with a glare preventer. Max. 2 accessories per glare preventer.

Thickness boardmaterial: 9-26mm
Gear excluded.
⊕ IP20

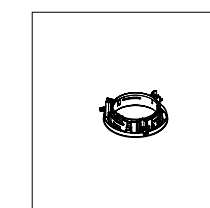
Distance rings



Straight glare preventer



Plasterkit



Plasterkit concrete

