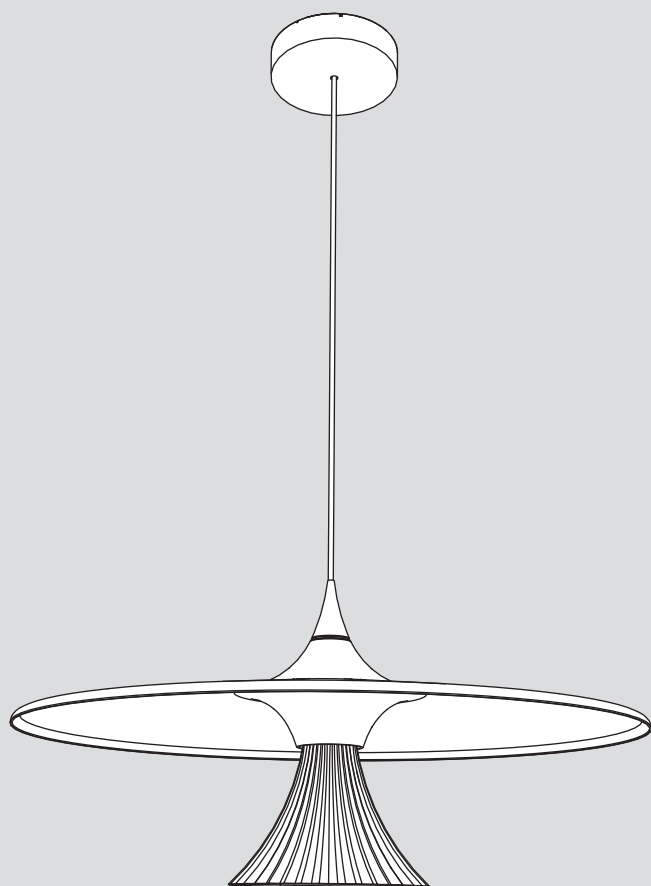


Artemide®

Ipno

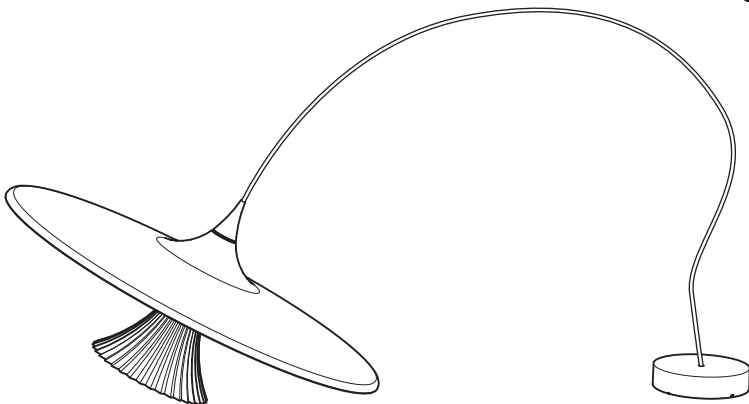
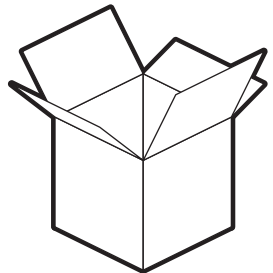
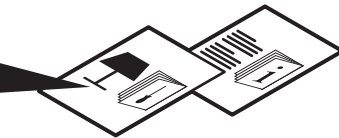
design
M. De Lucchi



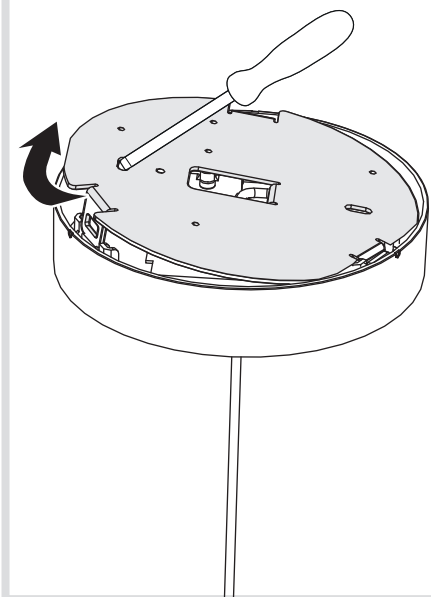


i

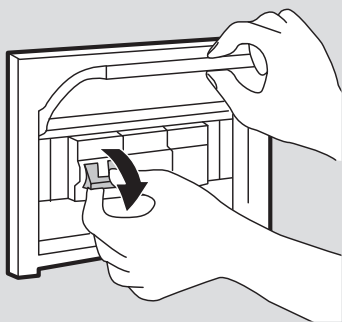
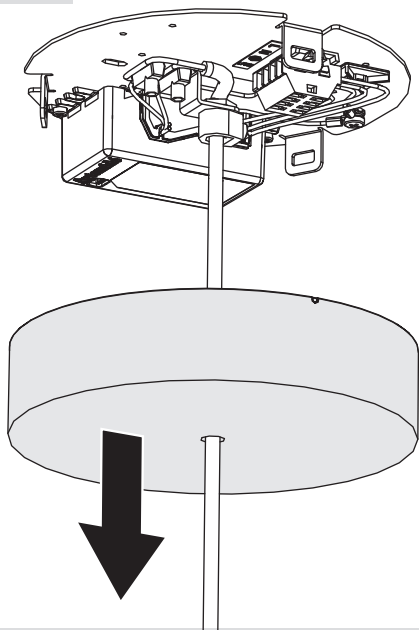
CE	IP20			
LED 1				
?	→		→	



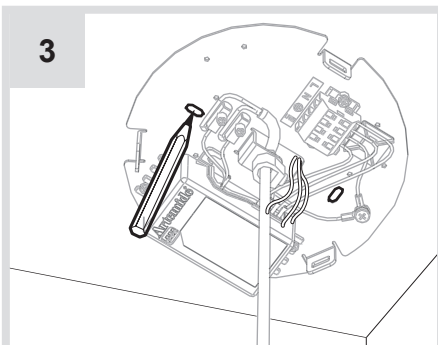
1



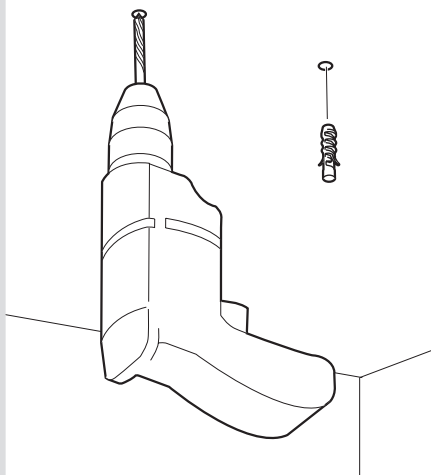
2

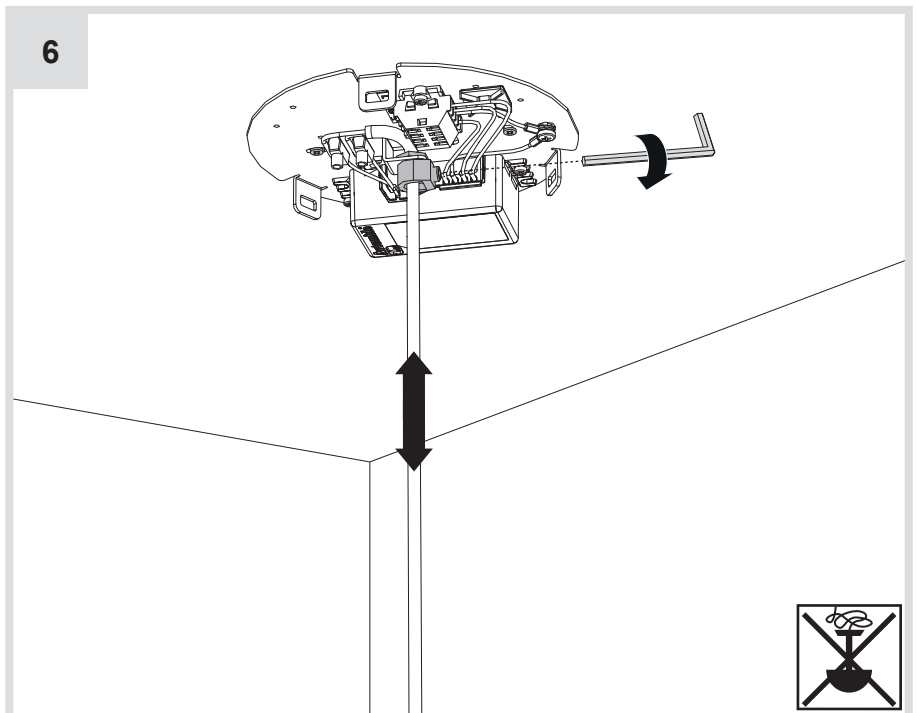
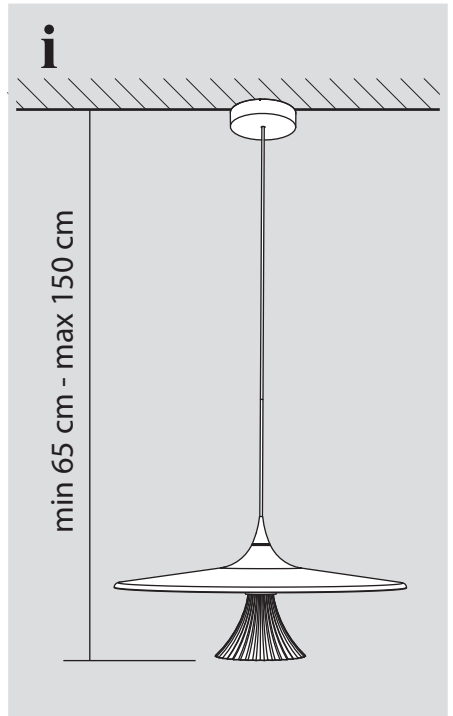
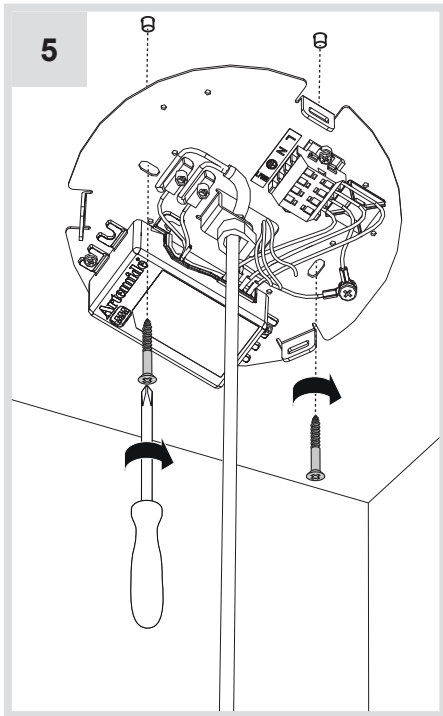


3

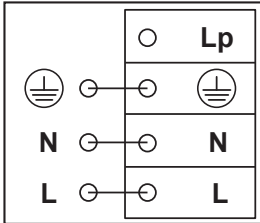
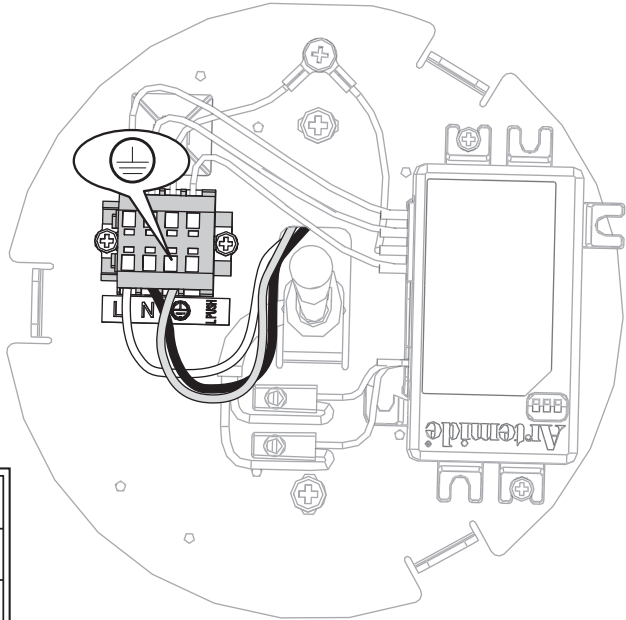


4

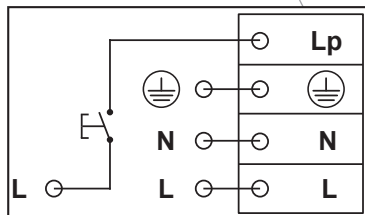
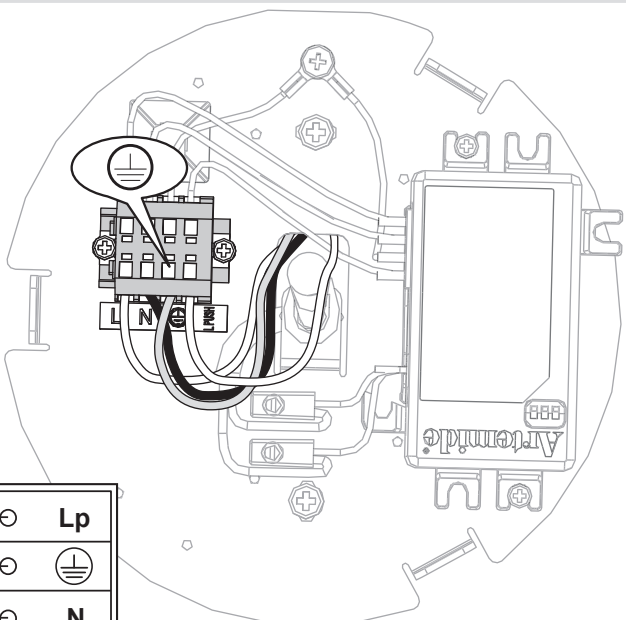




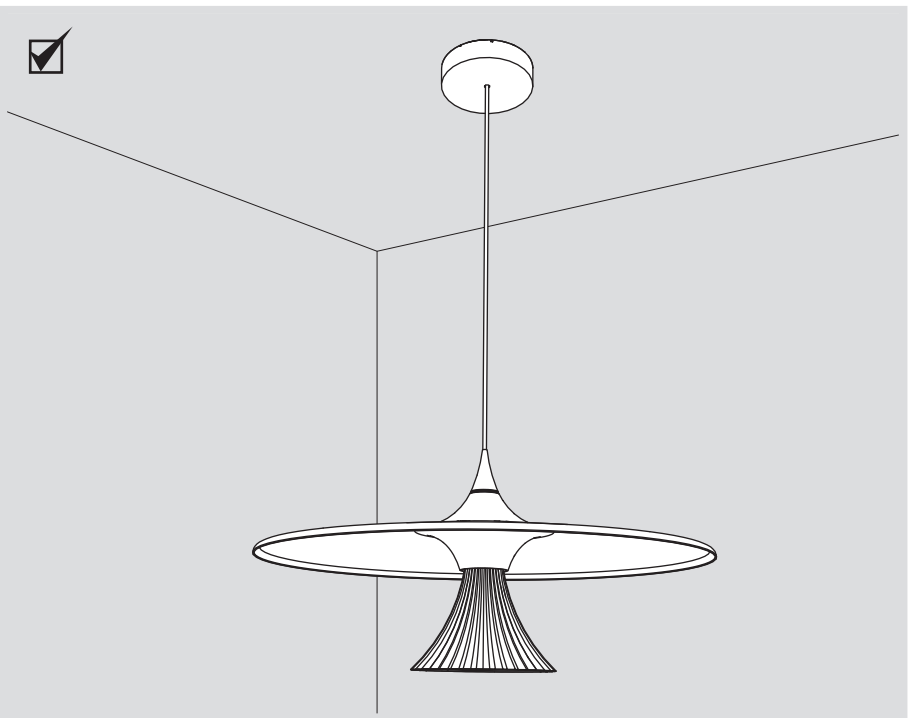
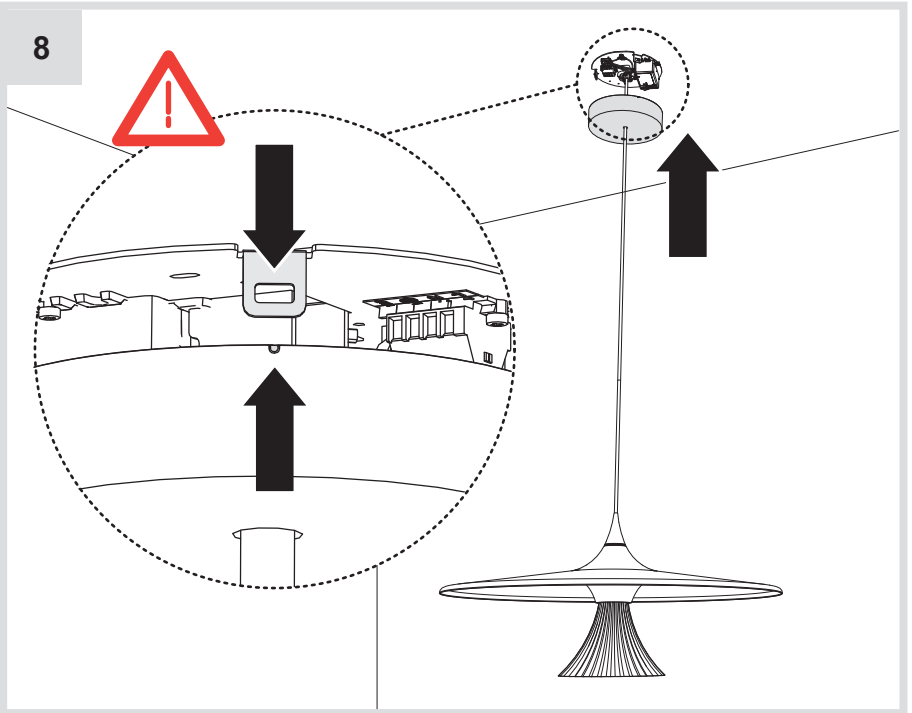
7a

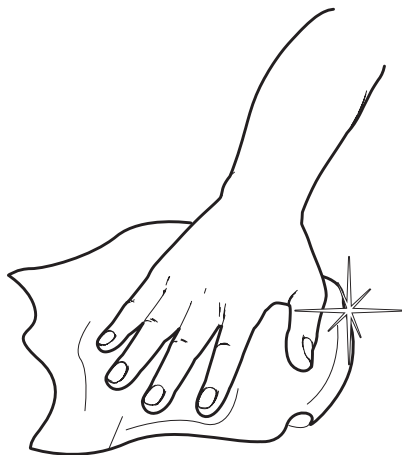
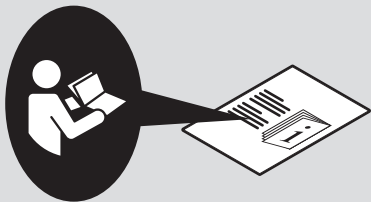


7b



8





Artemide®



Artemide

via Bergamo, 18
20010 Pregnana M.se (MI)
ITALIA

tel. +39 02 935 181
fax +39 02 935 90 254
fax +39 02 935 90 496

www.artemide.com

VAT IT00846890150

cod. Y513000950