

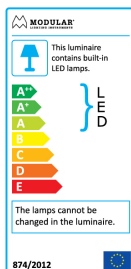
TETRIX PINHOLE 62 IP55 LED GE

We had a bit of a game in mind when we designed our recessed spot, Tetrix. Playing with pieces, fitting them together in all kinds of intricate ways. Easy to play with, and for everyone. Tetrix invites you to give it your personal touch with design options and accessories. It's versatile, fits everywhere, and is a breeze to install.

Art. Nr. 13516038

SPECIFICATIONS

Lamp	1x LED Array	
Gear / Transfo	LED gear not incl.	
Cut-out size	ø 62	
Weight	0.15kg	
Min. distance	0.1 m	
IP	IP55	
Glow wire test	650°	
Lifetime	L80 B20 @ 50.000 hrs	
CRI	90	
CIE flux code	99/99/100/100/70	
Power supply	350mA	500mA
	14.2	14.4
Connected load	5W	7.2W
Luminaire power	7.2W	
Lumen	343lm	461lm
Efficacy	69lm/W	64lm/W
UGR	14.9	15.9
Adjustability	Not Applicable	



Available label
<http://supemodular.com/assets/TYPE2.pdf>

	WARM WHITE 2700K / CRI 90+	WARM WHITE 3000K / CRI 90+	WARM WHITE 4000K / CRI 90+
	MEDIUM	MEDIUM	MEDIUM
black matt	13516083	13516283	13516483
white matt	13516038	13516238	13516438



TETRIX PINHOLE 62 IP55 LED GE

ACCESSORIES

HUE-DEVICE

70000154	NIKO PURE SWITCH FOR HUE - WHITE STEEL
70008054	HUE SENSOR
70000152	HUE DIMMER SWITCH
70000155	NIKO PURE SWITCH FOR HUE - BLACK STEEL

HUE-BRIDGE

70000617	HUE BRIDGE UK
70000616	HUE BRIDGE EU

HUE-MODULE

13190130	HUE DIM CIRCUIT MODULE 150-300W 0/1-10V
----------	---

CASAMBI

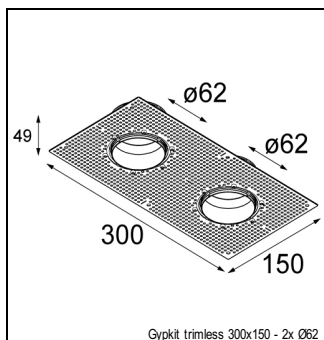
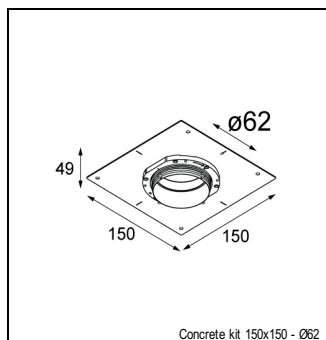
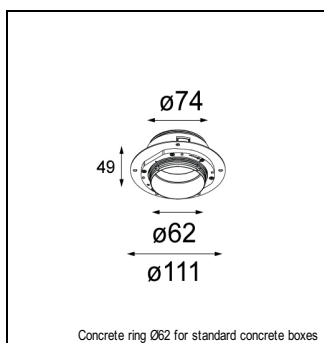
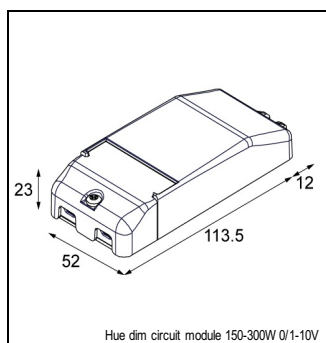
13470109	CASAMBI SWITCH WHITE
13470101	CASAMBI DIM MODULE TRE DIM
13470102	CASAMBI DIM MODULE DALI
13470100	CASAMBI DIM MODULE 1-10V

GYPKIT

13515630	CONCRETE RING Ø62 FOR STANDARD CONCRETE BOXES
13515530	CONCRETE KIT 150X150 - Ø62
12293330	GYPKIT TRIMLESS 300X150 - 2X Ø62
12293230	GYPKIT TRIMLESS 150X150 - Ø62

DRIVER-LED

13470130	CASAMBI LED GEAR 350-1050MA 25-60W
13470030	CASAMBI LED GEAR 300-1050MA 16-38W



TETRIX PINHOLE 62 IP55 LED GE

REQUIRED PARTS

RECESSED-FRAME

13515430	RECESSED RING Ø62
13510038	TETRIX FRAME ROUND 74 WHITE MATT
13510083	TETRIX FRAME ROUND 74 BLACK MATT

