

Elisabeth Carlo Colombo



TECHNICAL SHEET

1711-03 LARGE

Mounting: Lampada da tavolo / Table lamp

Environment: Indoor - IP20

Materials: Metallo e marmo / Metal and marble

Voltage: 230V 50/60Hz

Source: 2 x 8W - 3000 K

Lumen: 2x827lm

Dimming: dimmer on cable



1711-01 SMALL

Mounting: Lampada da tavolo / Table lamp

Environment: Indoor - IP20

Materials: Metallo e marmo / Metal and marble

Voltage: 230V 50/60Hz

Source: 2 x 8W - 3000 K

Lumen: 2x827lm

Dimming: dimmer on cable



1711-23 LARGE

Mounting: Sospensione / Suspension

Environment: Indoor - IP20

Materials: Metallo / Metal

Voltage: 230V 50/60Hz

Source: 8 x 8W - 3000 K

Lumen: 8x827lm

Dimming: Dimmable 0-10V



1711-30 WALL

Mounting: Applique / Wall lamp

Environment: Indoor - IP20

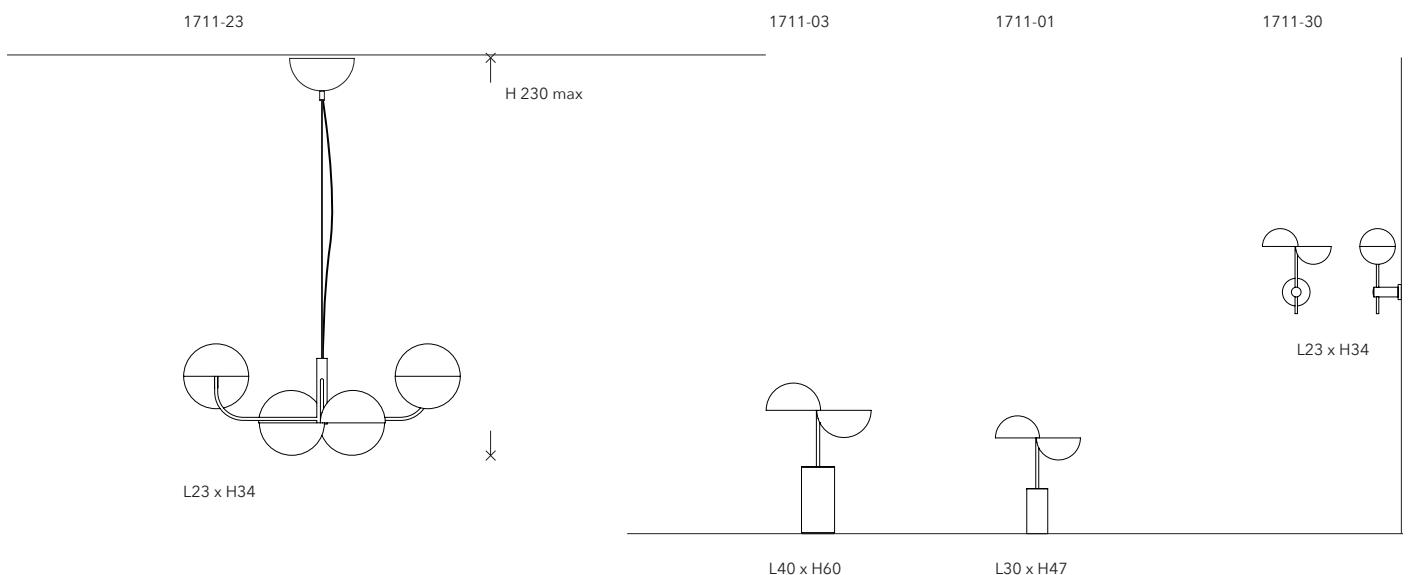
Materials: Metallo / Metal

Voltage: 230V 50/60Hz

Source: 2 x 6W - 3000 K

Lumen: 2x450lm

Dimming: Dimmable phase cut



Finiture / Finishes

Struttura / Structure



Cromo nero lucido
Glossy black chrome

Base / Base

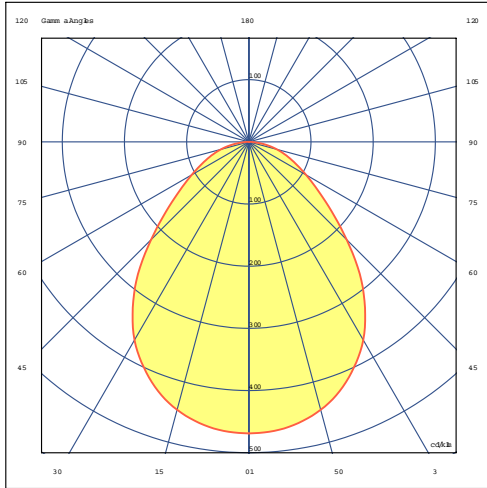


Cromo nero lucido
Glossy black chrome

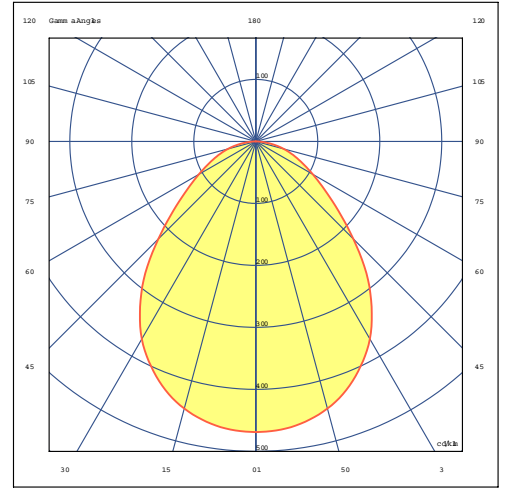


Marmo bianco Carrara
White Carrara marble

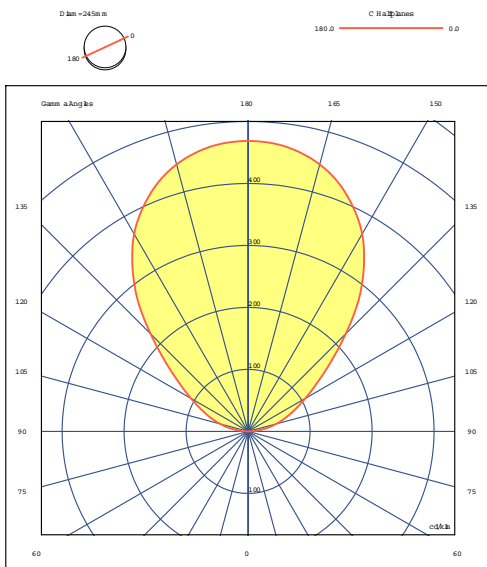
Fotometrie / Photometric Data



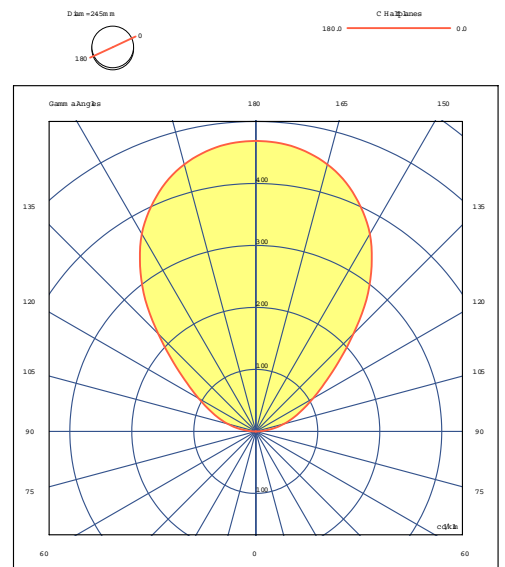
Large Table Lamp



Small Table Lamp



Suspension



Wall Lamp

CODES

CODICI / CODES	MISURA / SIZE	STRUTTURA / STRUCTURE	DIFFUSORE / SHADE	DETTAGLI / DETAILS
1711-30-2300-DXNE	wall lamp	cromo nero lucido / glossy black chrome		dimnable phase cut
1711-23-2300-DXNE	suspension	cromo nero lucido / glossy black chrome		dimnable 0-10V
1711-03-23M1-DXNE	large table lamp	cromo nero lucido / glossy black chrome	marmo bianco di Carrara / white Carrara marble	dimmer on cable
1711-03-2323-DXNE	large table lamp	cromo nero lucido / glossy black chrome	cromo nero lucido / glossy black chrome	dimmer on cable
1711-01-23M1-DXNE	small table lamp	cromo nero lucido / glossy black chrome	marmo bianco di Carrara / white Carrara marble	dimmer on cable
1711-01-2323-DXNE	small table lamp	cromo nero lucido / glossy black chrome	cromo nero lucido / glossy black chrome	dimmer on cable