

# BAIT MA MA

by Neri&Hu, 2014

Suspension lamp. Structure and canopy in bronze electroplated steel. Diffuser in blown transparent, amber and grey glass. Strip led column (dimmable 1-10V driver included) provide ambient light and led module placed at the bottom (connected direct to main) provide direct light. Led module are dimmable with phase-cut dimmers\*. Strip led and led module included.

Type: Suspension lamp

Environment: Indoor

Structure: Steel

Diffuser: Glass

Voltage: 120 V

Supply: Terminal strip


Dimmable driver included

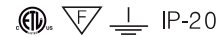
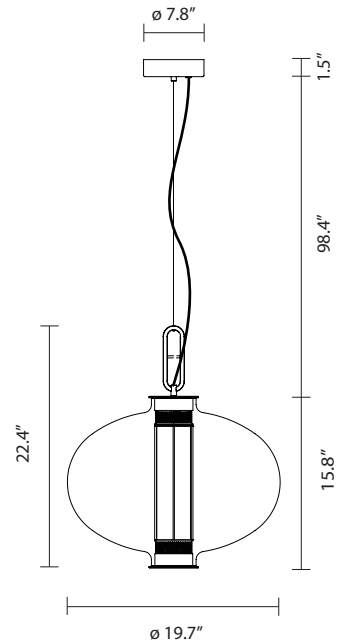
Cable length: 98.4"

Light source: Strip LED 9.6W 2700K 720Lm  
+ Module LED  $\varnothing$ 70 16.6W 3000K 1350Lm

BAI T MA MA

115030640976 **amber diffuser**  
115030640977 **grey diffuser**  
115030640978 **transparent diffuser**

 **6.3 kg**  
**11.3 kg**



\*For dimmable options, please contact [office@parachilna.eu](mailto:office@parachilna.eu)