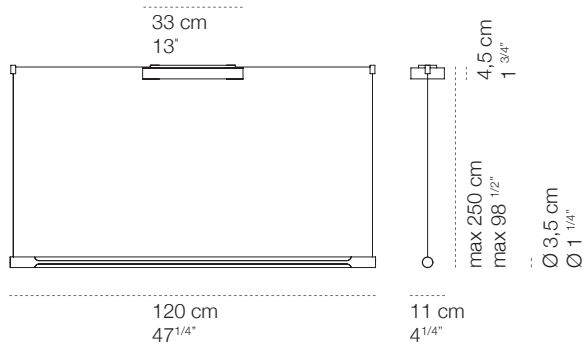


Stilo sospeso



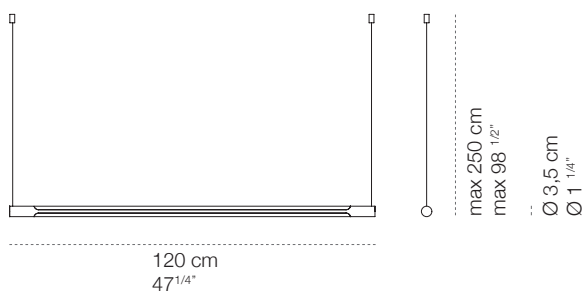
luminaire	
materials	aluminium, technopolymers, steel
environment	interiors
mounting location	ceiling
emission	direct and indirect light
weight	2,0 kg
voltage	220-240V
ballast	electronic integrated dimmable
dimming	phase-cut / push / dali casambi integrated / voice
Insulation class	1
IP classification	IP20
certifications	CE
design	Luta Bettonica, 2016-2018

light source	
source	LED
number of led	2x168
power	2x24W
luminous flux	2x2.400 lm
colour temperature	2.700K
CRI	90
energy label	

finish and code	
 white cod 1670 cod D1670 cod C1670 cod V1670	 black cod 1671 cod D1671 cod C1671 cod V1671
phase-cut/push dimmable dali casambi integrated voice (Amazon Alexa, Google Assistant)	

versions	
 Stilo sospeso driver	 Stilo sospeso remoto

Stilo sospeso driver remoto



luminaire	
materials	aluminium, technopolymers, steel
environment	interiors
mounting location	ceiling
emission	direct and indirect light
weight	1,2 kg
voltage	24VDC
ballast	not included
Insulation class	3
IP classification	IP40
certifications	CE
design	Luta Bettonica, 2016-2019

light source	
source	LED
number of led	2x168
power	2x24W
luminous flux	2x2.400 lm
colour temperature	2.700K
CRI	90
energy label	

finish and code	
	white cod 1675
	black cod 1676

versions	
	Stilo sospeso driver remoto

accessories for installation	
alimentatore remoto	
cod 1690	50W phase-cut/push ↷
cod 1622	60W push/dali ↷
cod 1691	50W casambi
cod 1692	50W voice (Amazon Alexa, Google Assistant)
cod 1633	100W ON/OFF ↷
cod 1623	100W push/dali ↷