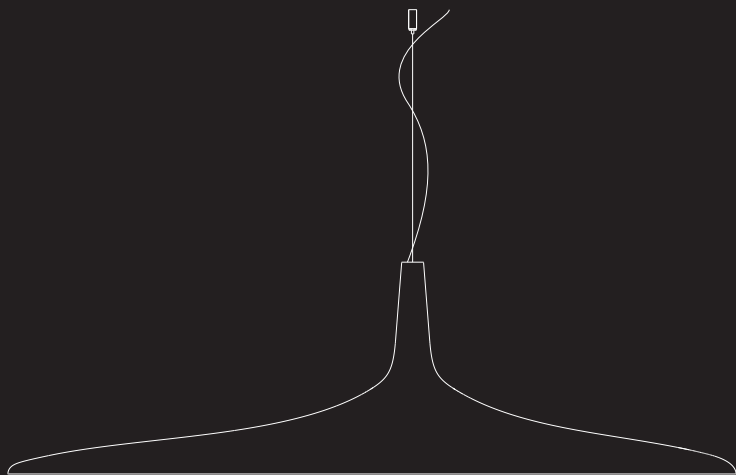


# SOLEIL NOIR

design Odile Decq

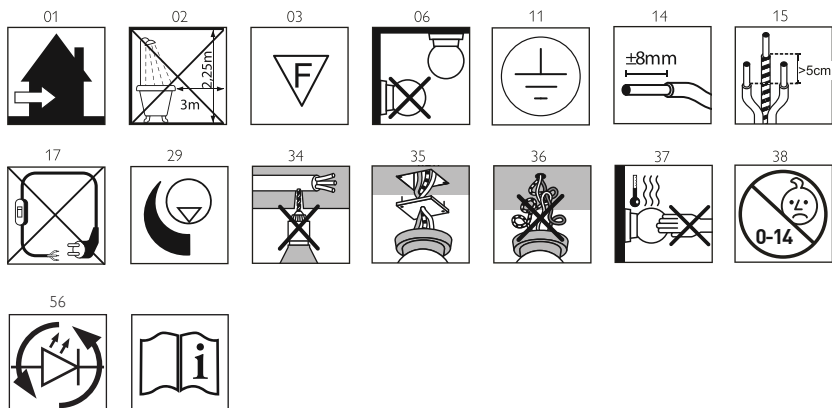


**LUCE  
PLAN**

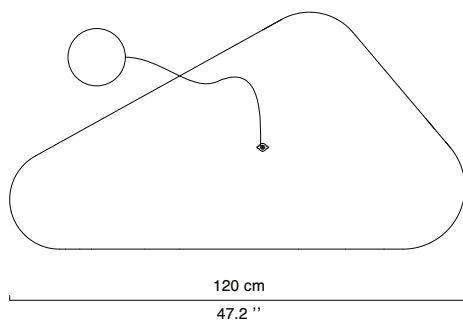
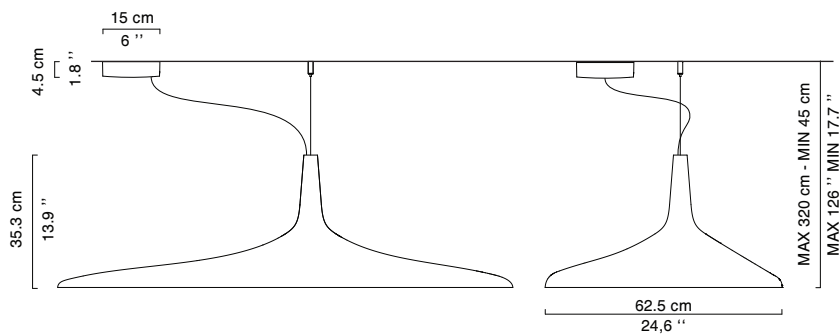
D89s



## D89s

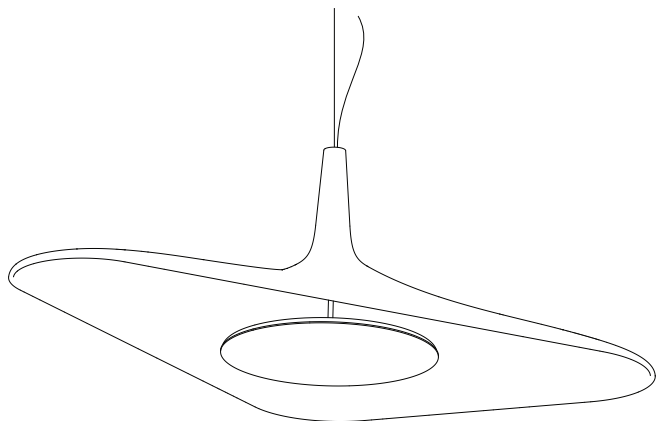


# D89s



**kg** 6.5 kg **lb** 14.3 lb

D89s

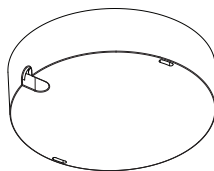


x1

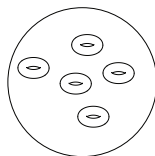
x1



x1

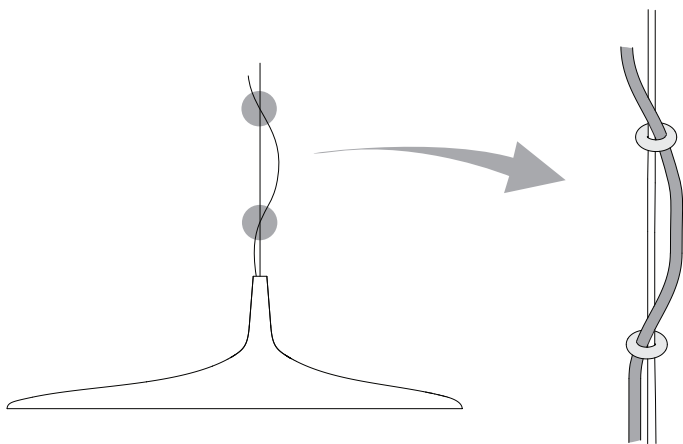
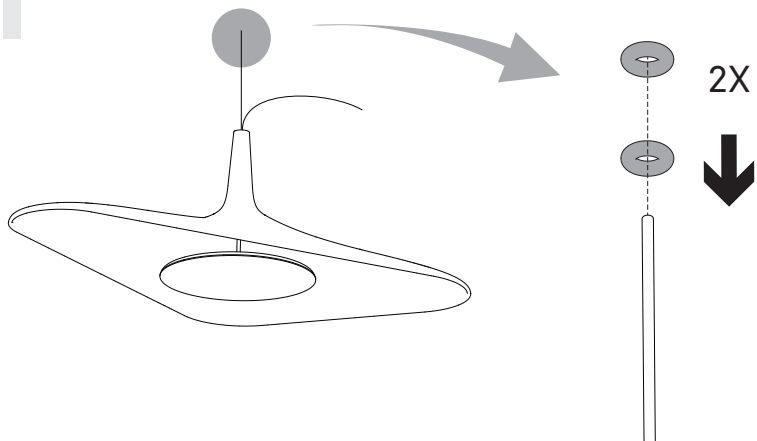


x1

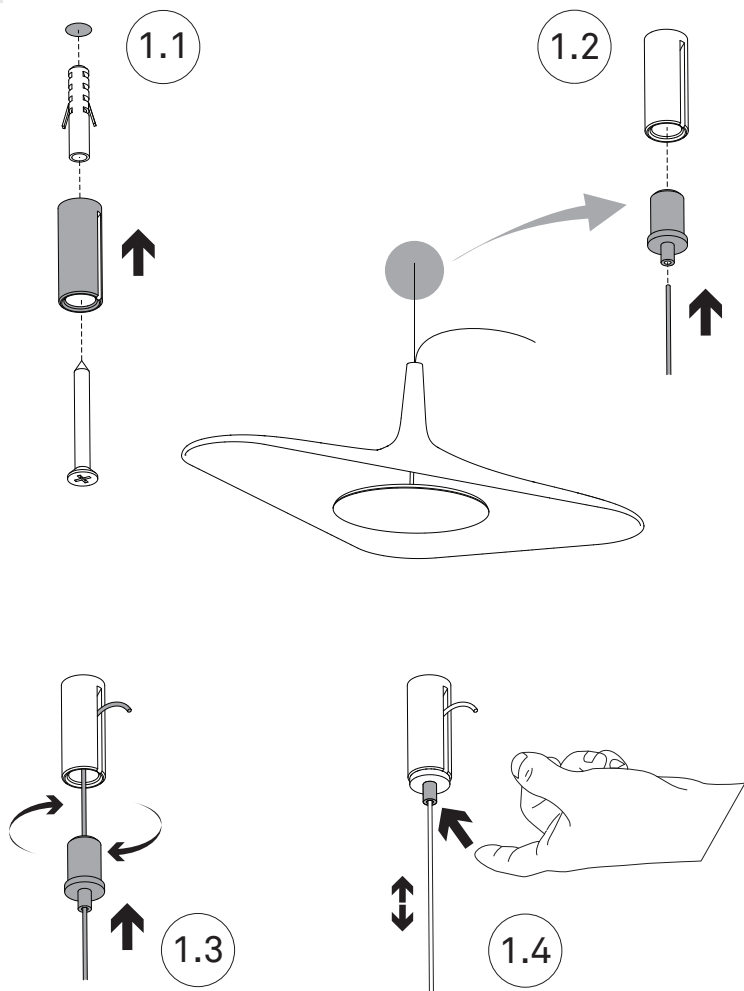


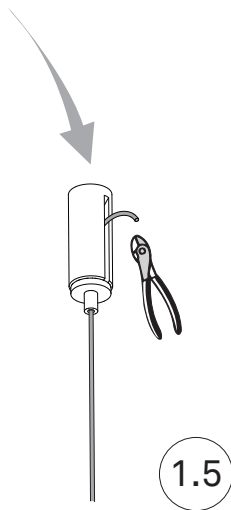
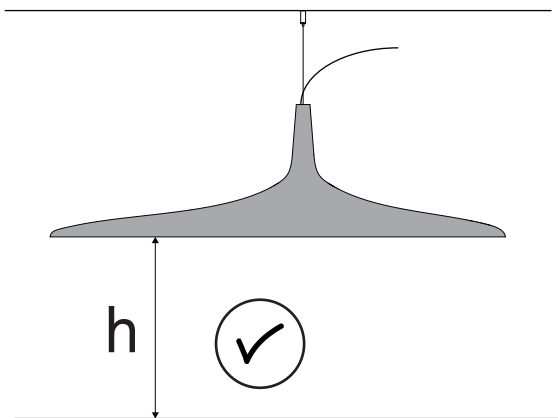
x1

1

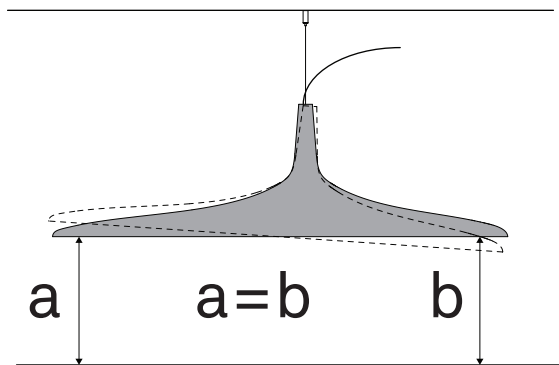
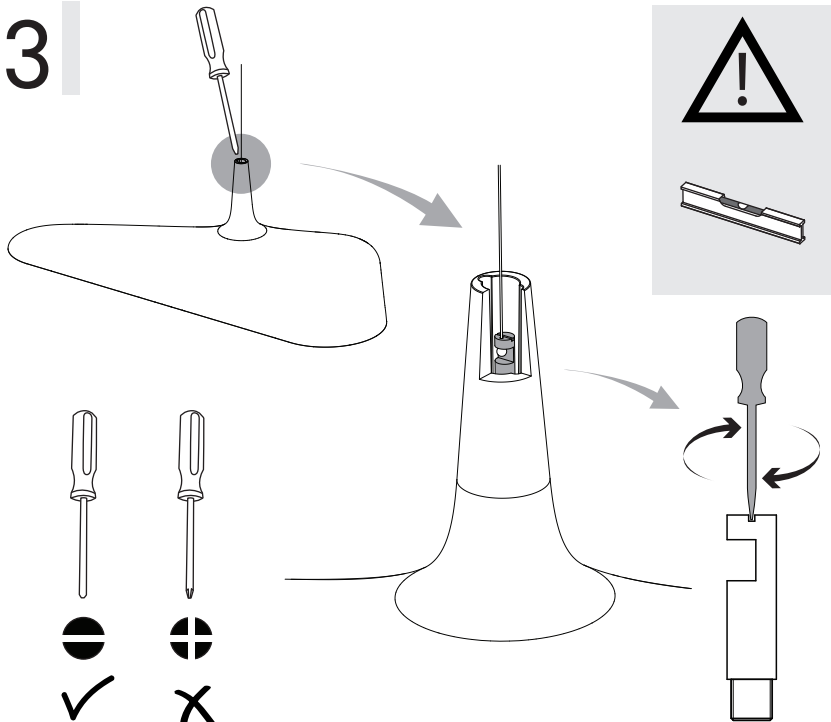


2

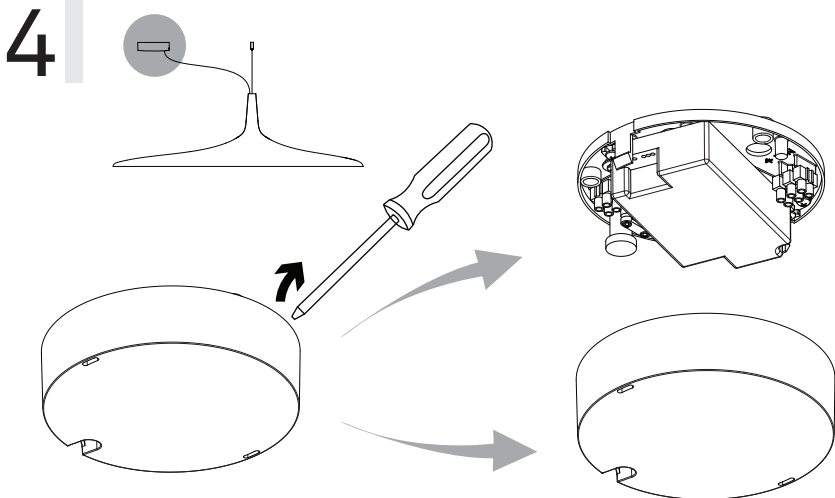




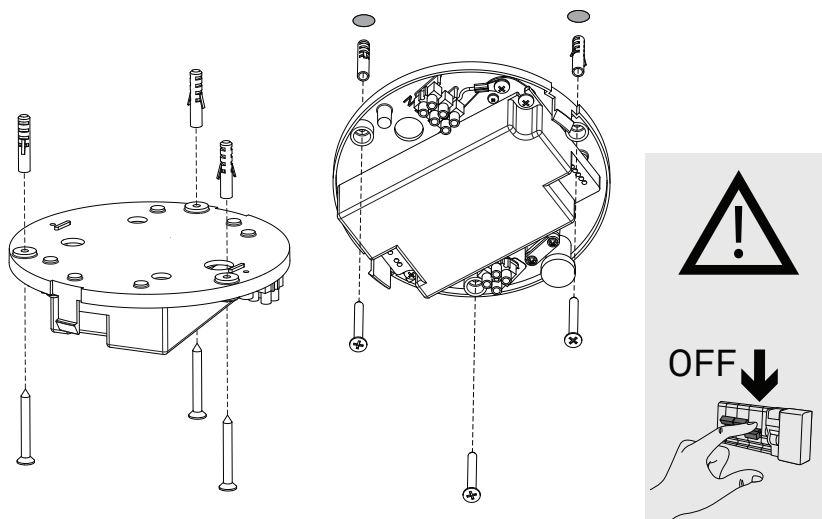
3



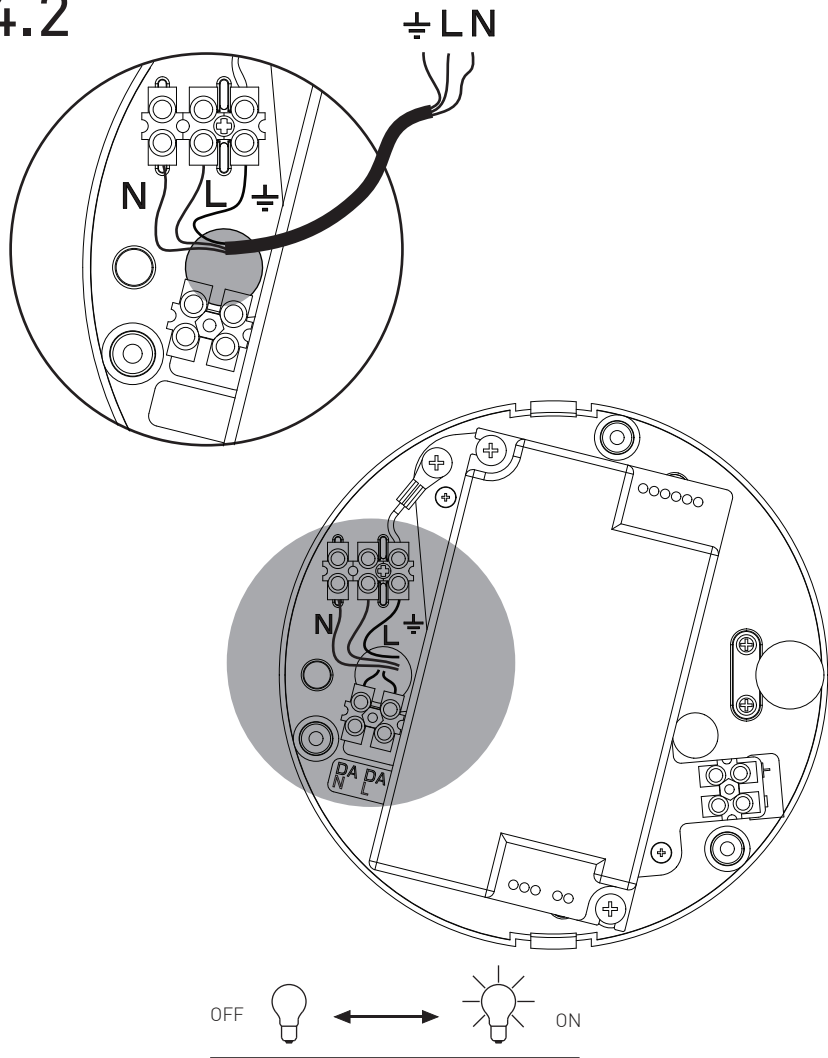




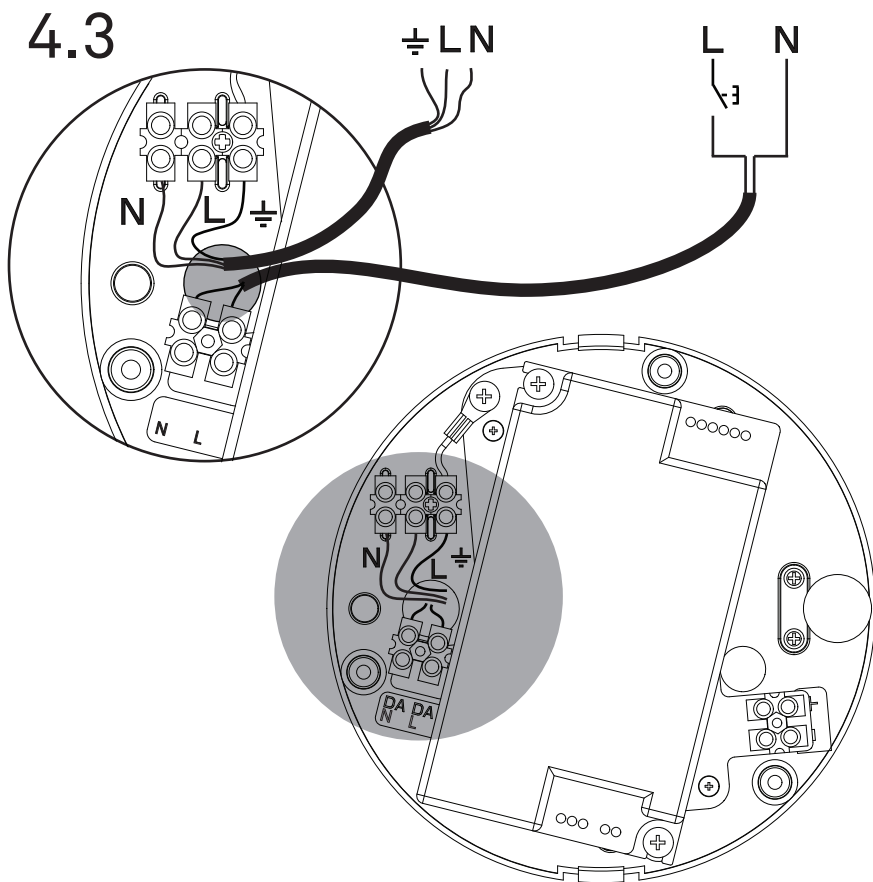
## 4.1



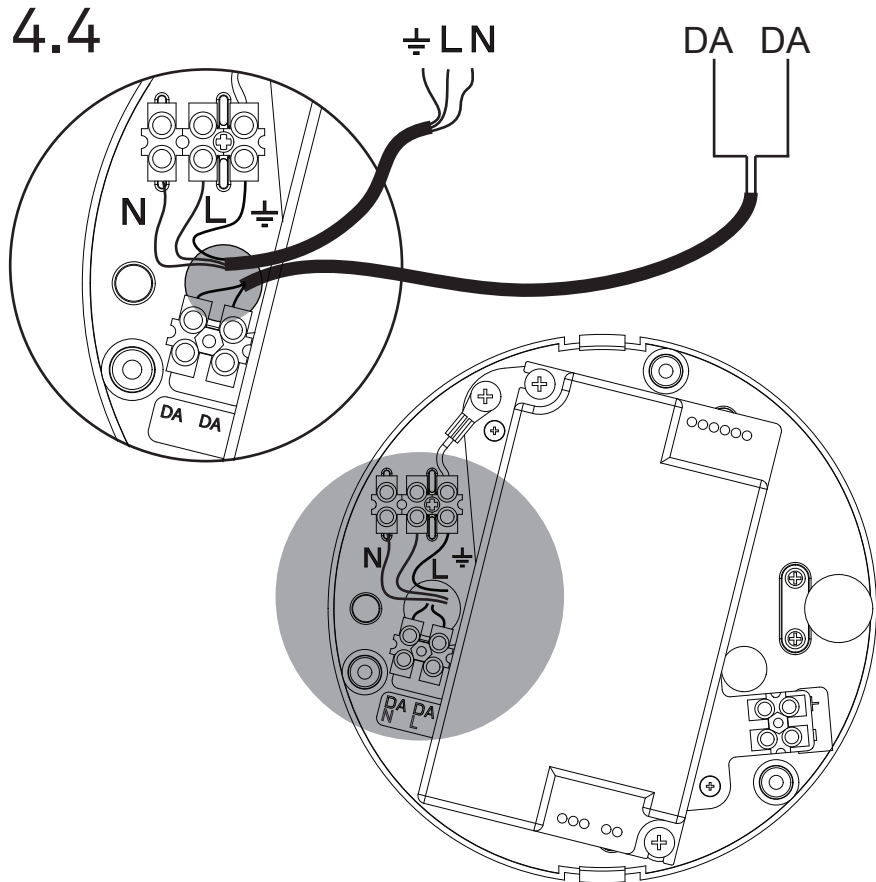
# 4.2

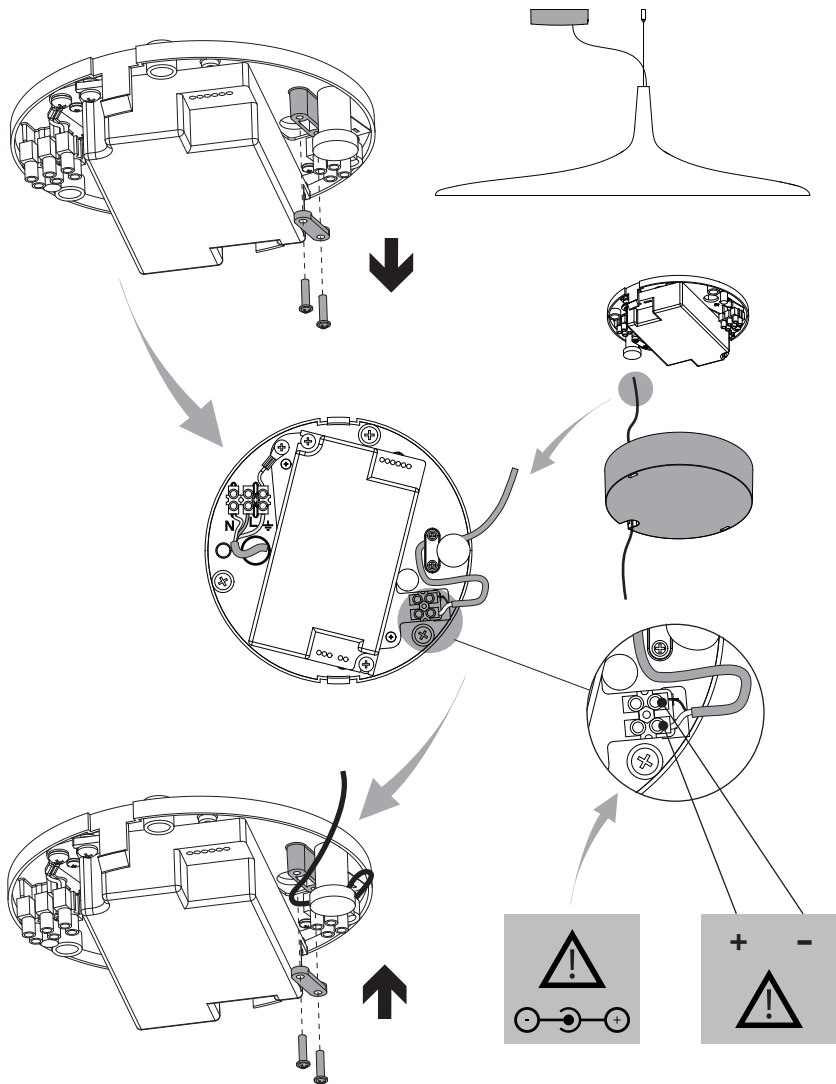


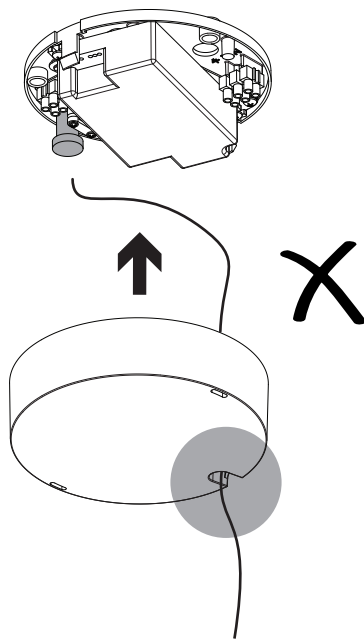
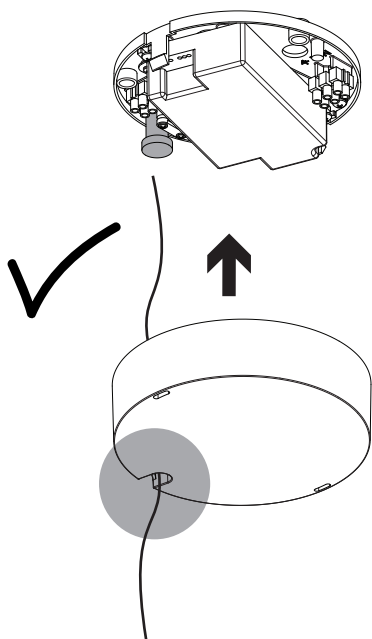
## 4.3



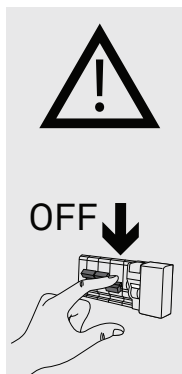
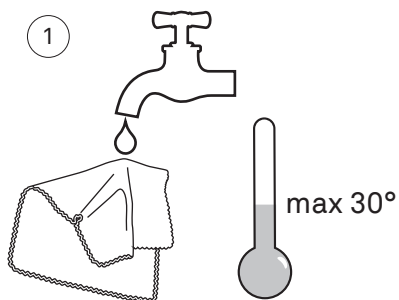
# 4.4



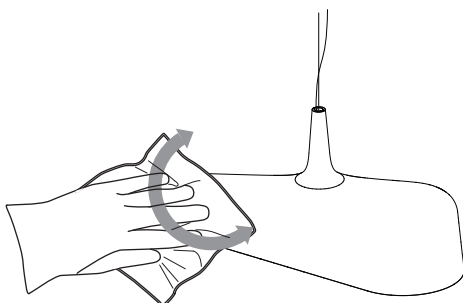




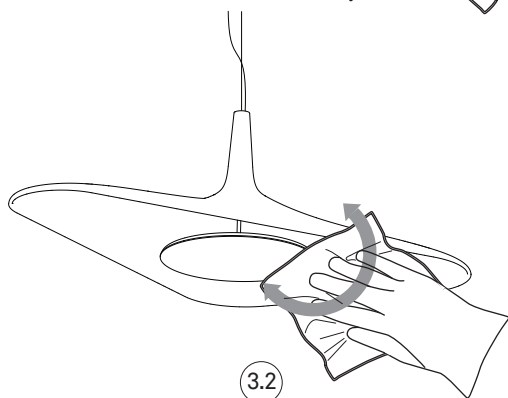
1



2



3.1



3.2



[www.luceplan.com](http://www.luceplan.com)

D890IA001