

SOLEIL NOIR

design Odile Decq

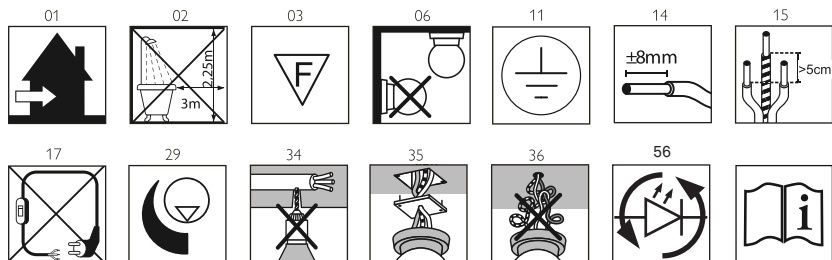


**LUCE
PLAN**

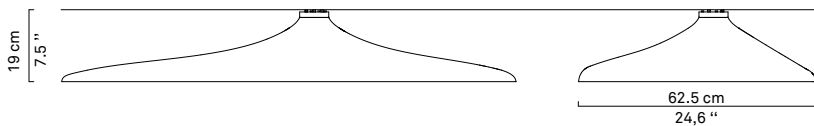
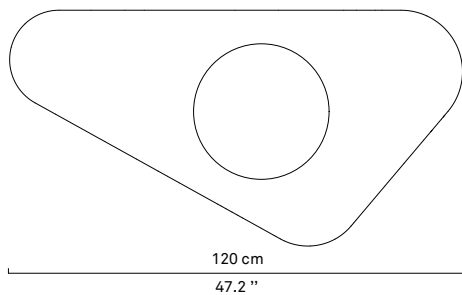
D89p



D89p



D89p



kg 6.1 kg **lb** 13.5 lb

D89p

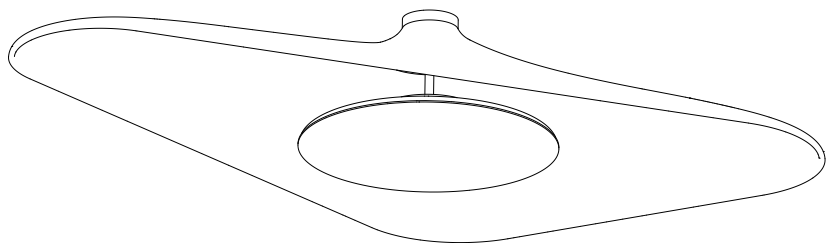


a

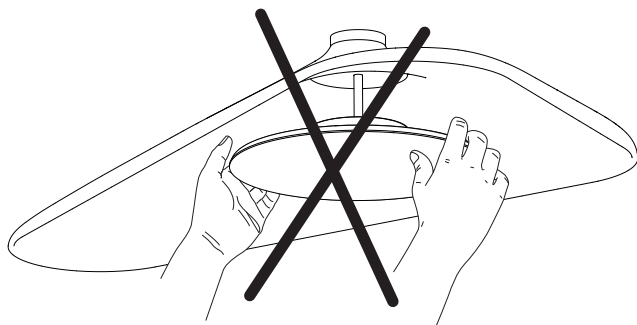
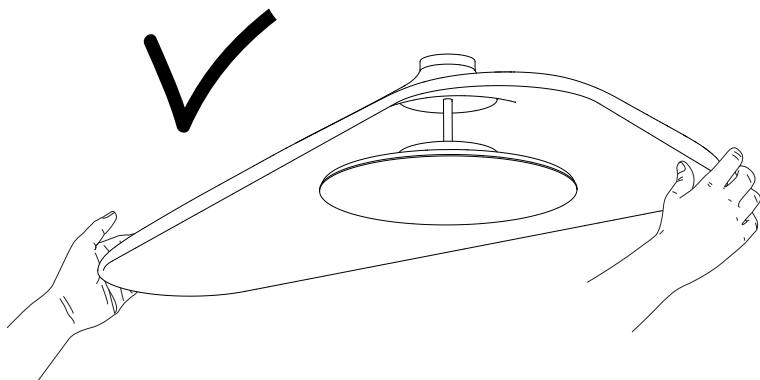


b

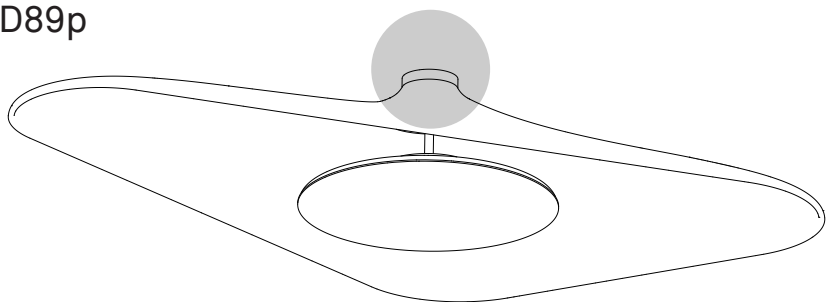
x1



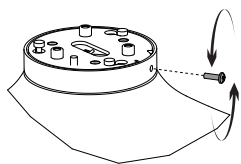
D89p



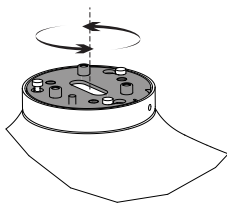
D89p



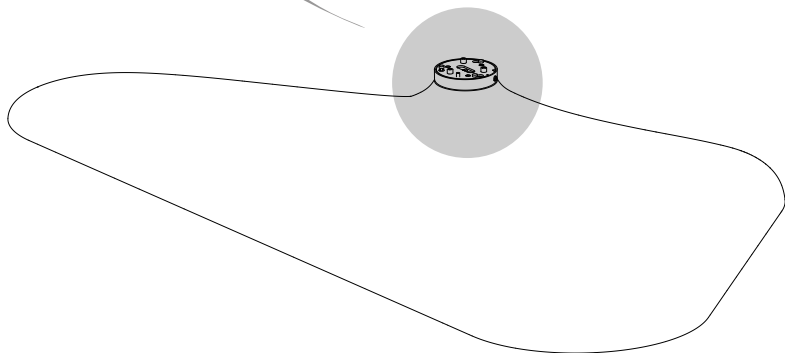
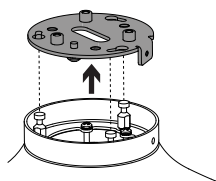
1



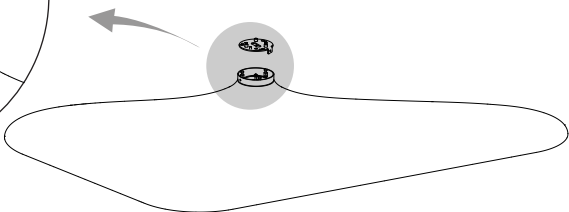
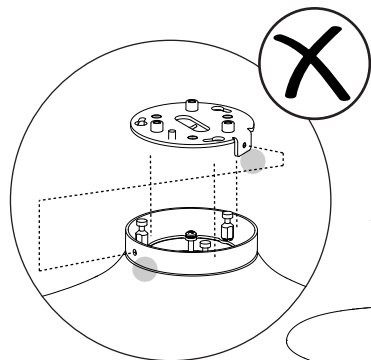
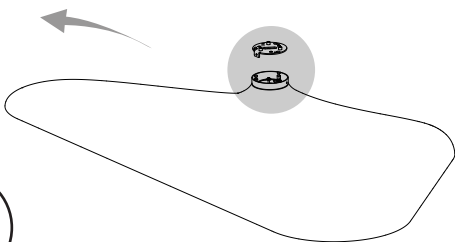
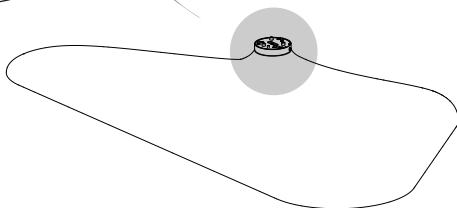
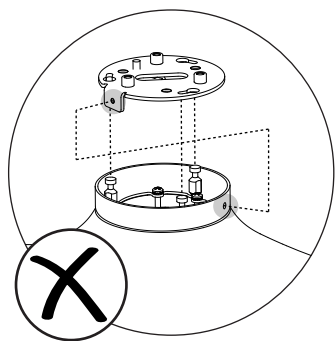
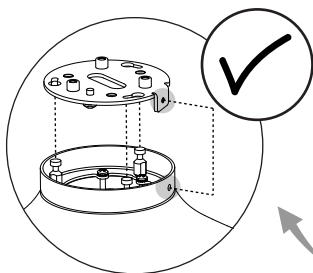
2



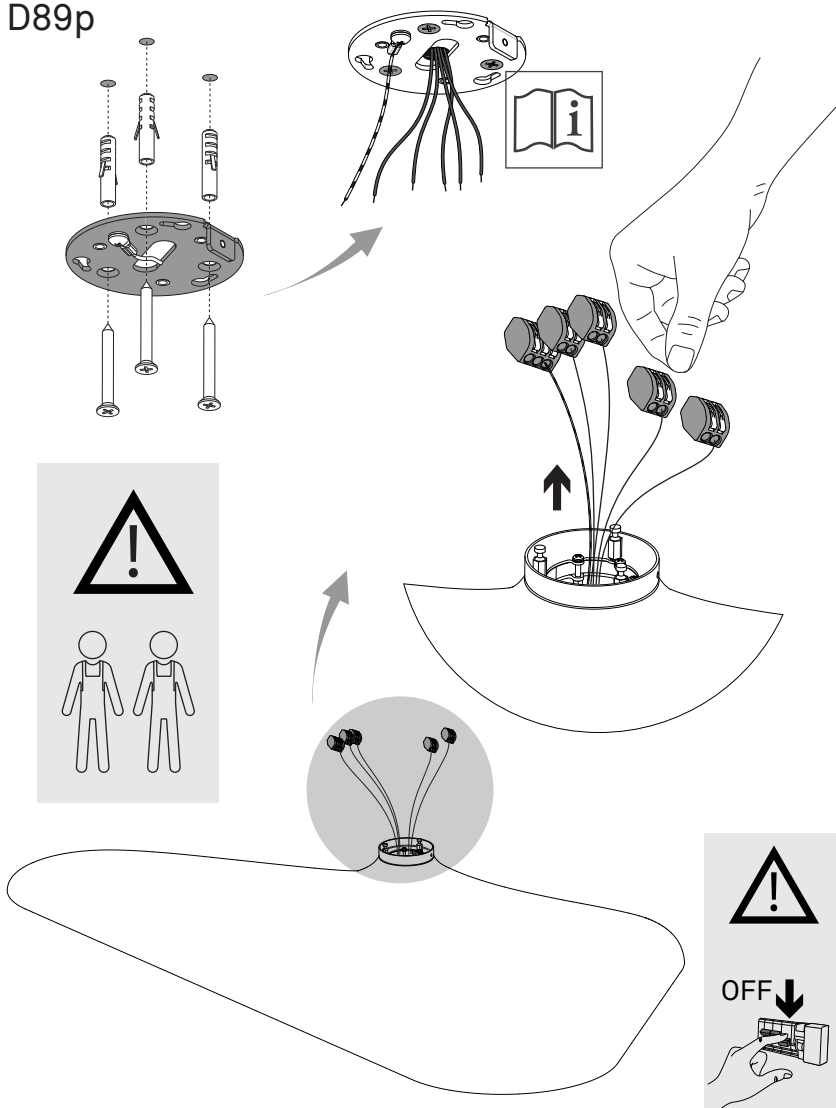
3



D89p



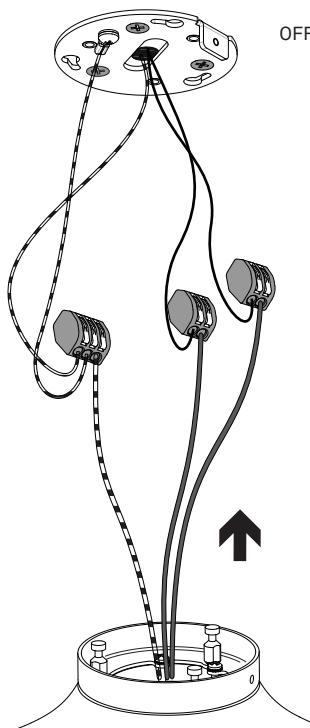
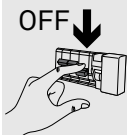
D89p



D89p



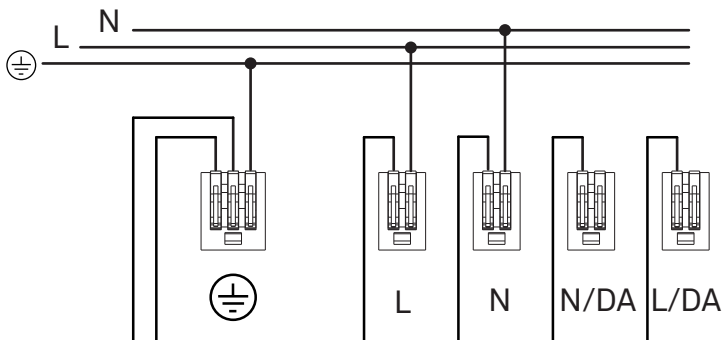
OFF



OFF



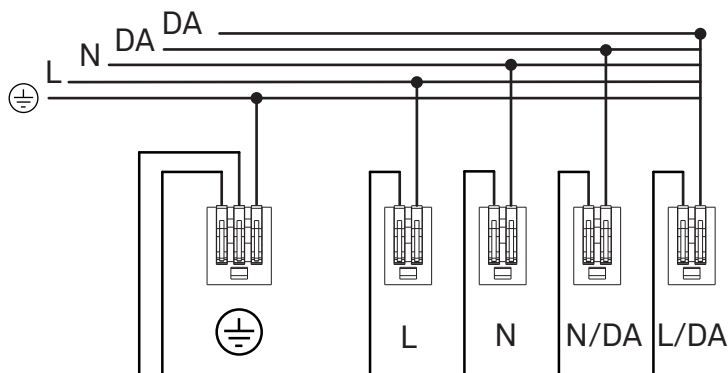
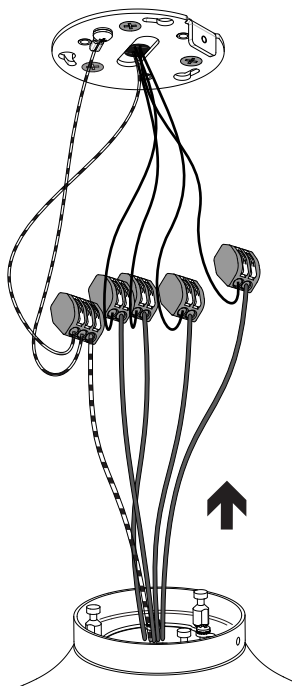
ON



D89p



OFF



D89p

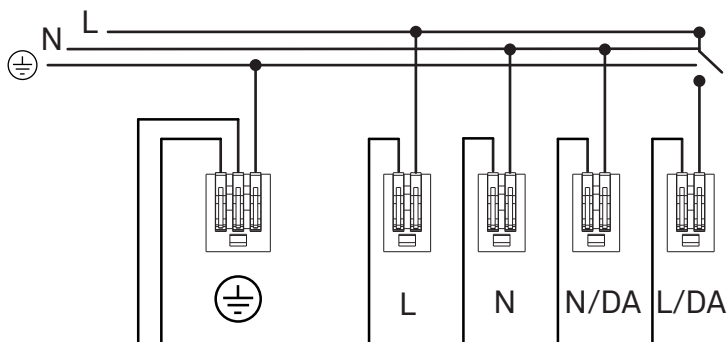
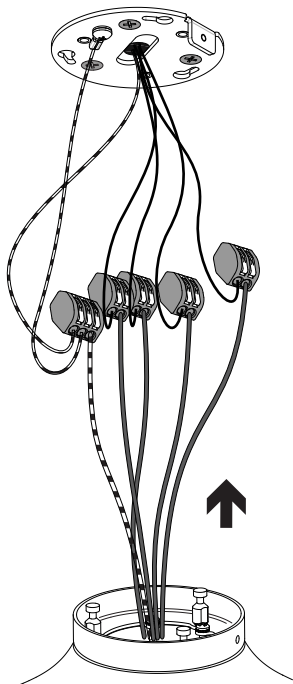
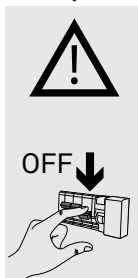
OFF

(0%)

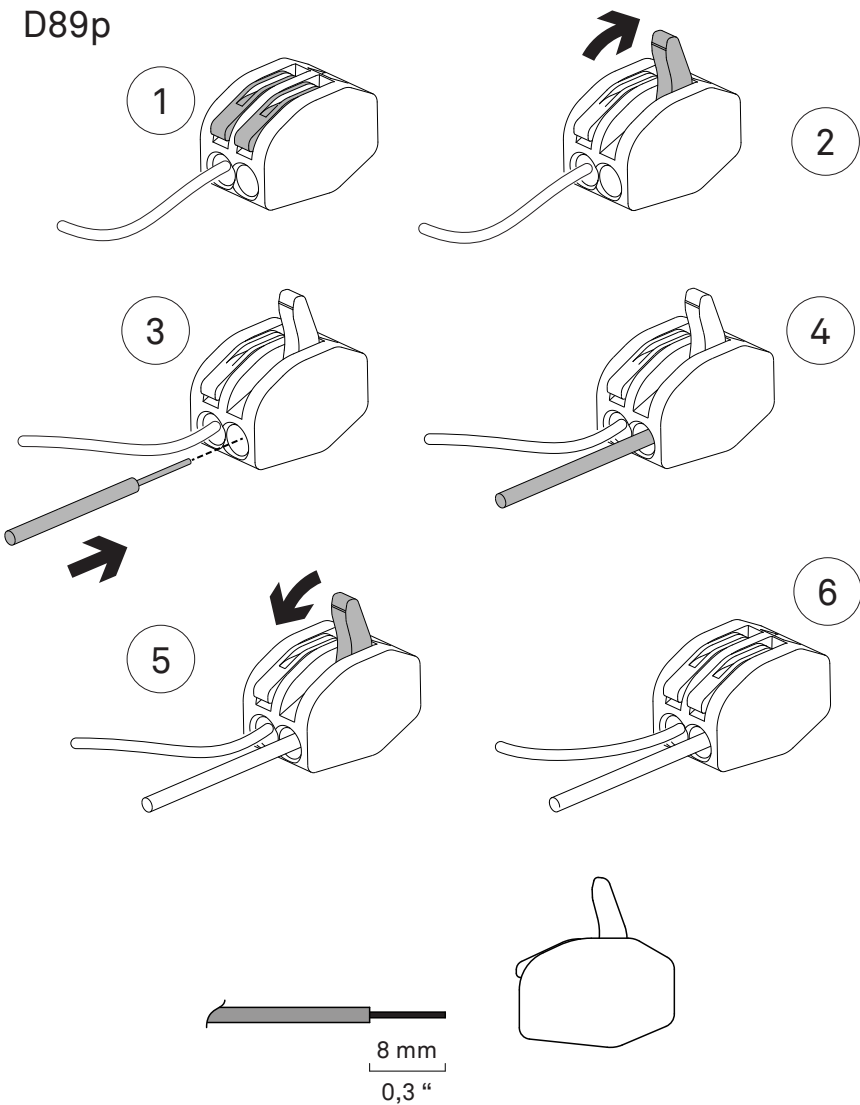


MAX
(100%)

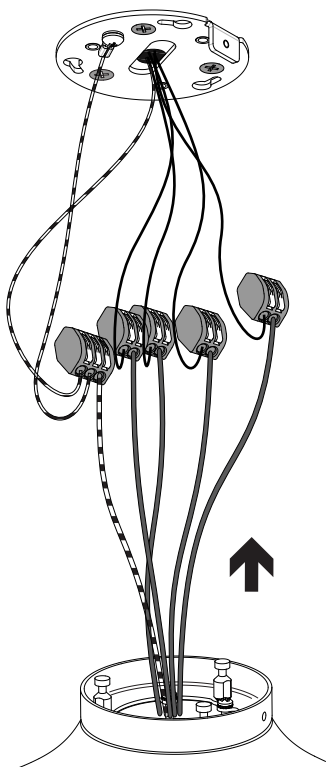
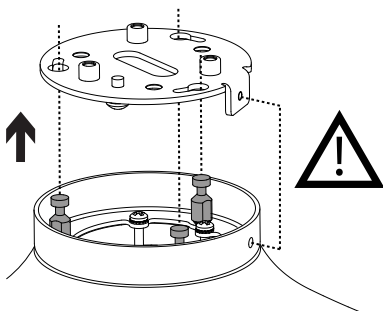
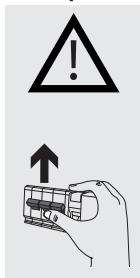
ON



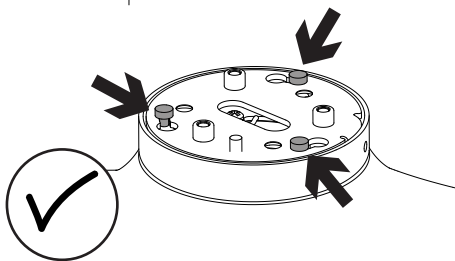
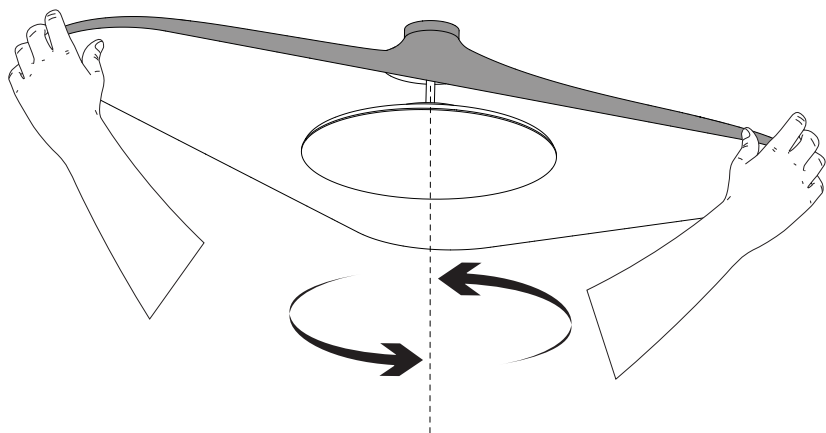
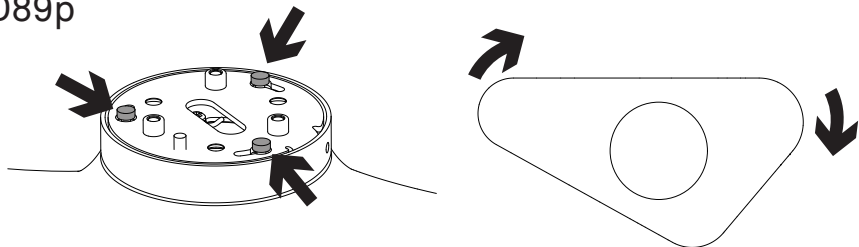
D89p



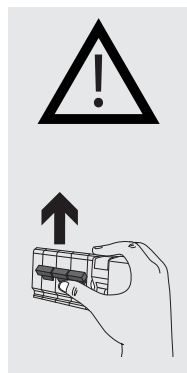
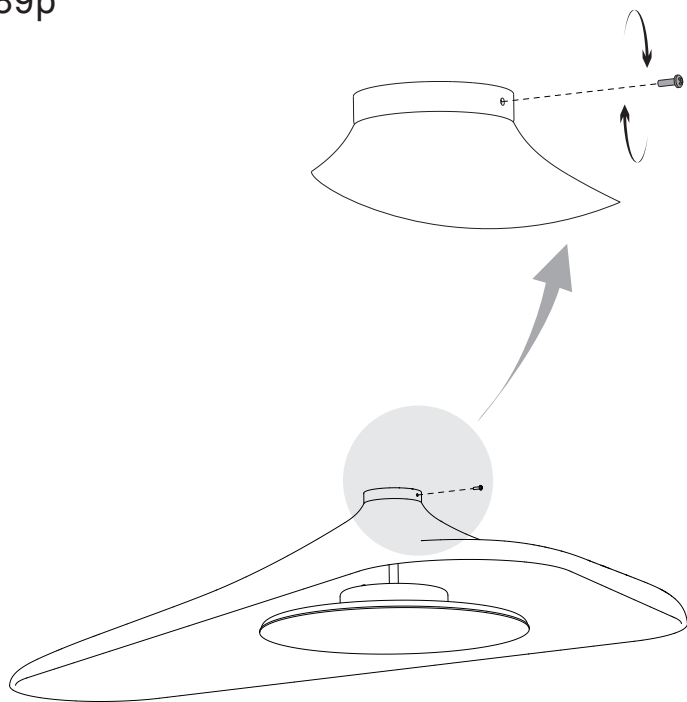
D89p



D89p

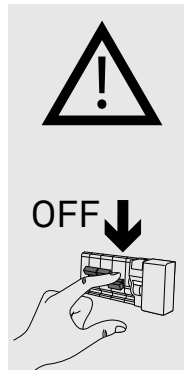
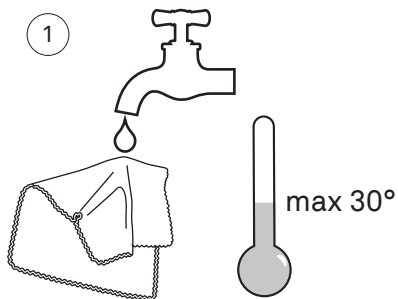


D89p

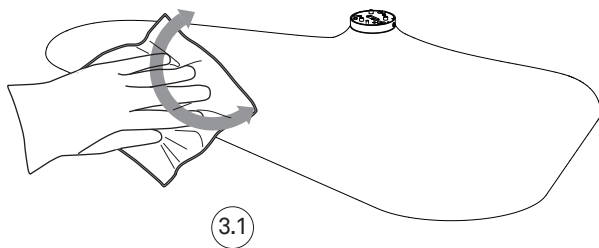


D89p

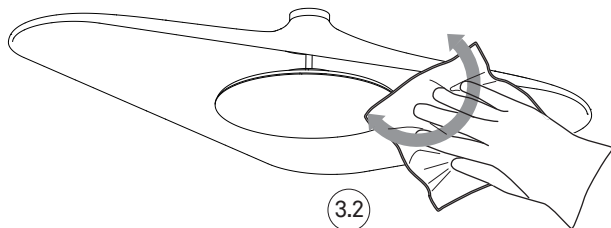
1



2



3.2





www.luceplan.com

D890IA002