



WEVER & DUCRÉ  
LIGHTING

# DRO FLOOR 3.0

6442E0YB0

Project
Type
Notes
Quantity
Date

### GENERAL

Floor  
 Surface  
 Jet Black + Brown Opal Glass  
 IP20  
 Interior  
 765 lm

### LED

Lamp A60  
 E27  
 Socket E27  
 4-12 W

### OPTICAL

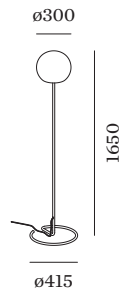
UGR < 16  
 65° < 1500 cd/m²

### PHYSICAL

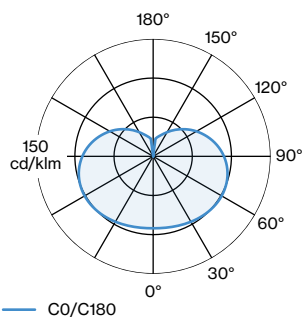
Diameter 300 mm  
 Height 1650 mm  
 5 kg  
 cable plug with dimmer

### ELECTRICAL

220 - 240 V  
 Total connected power 9.3 W  
 PC2



### LIGHT DISTRIBUTION



[6442E0YB0] The technical data represent rated values for an ambient temperature of 25°C. The data values for the luminous flux are initially subject to a tolerance of +/- 10%, those for the electrical connected load are initially subject to a tolerance of +/- 10%, and those for the colour temperature are initially subject to a tolerance of +/- 150 K. No liability is assumed for typographical or printing errors. The general terms and conditions of Wever & Ducré BVBA apply.  
 © Wever & Ducré BVBA · Spinnerijstraat 99/21 · 8500 Kortrijk · Belgium · www.weverducre.com



WEVER & DUCRÉ  
LIGHTING

# DRO FLOOR 3.0

6442E0YB0

## DECO LAMPS

### A60 LED Lamp

TYPE	Ø · H (MM)	ORDERCODE
2200K   E27	∅60 · 110	9 0 0 3 E 1 0 9
2700K   E27	∅60 · 110	9 0 0 3 E 1 3 8
2700K   E27	∅60 · 110	9 0 0 3 E 1 5 2