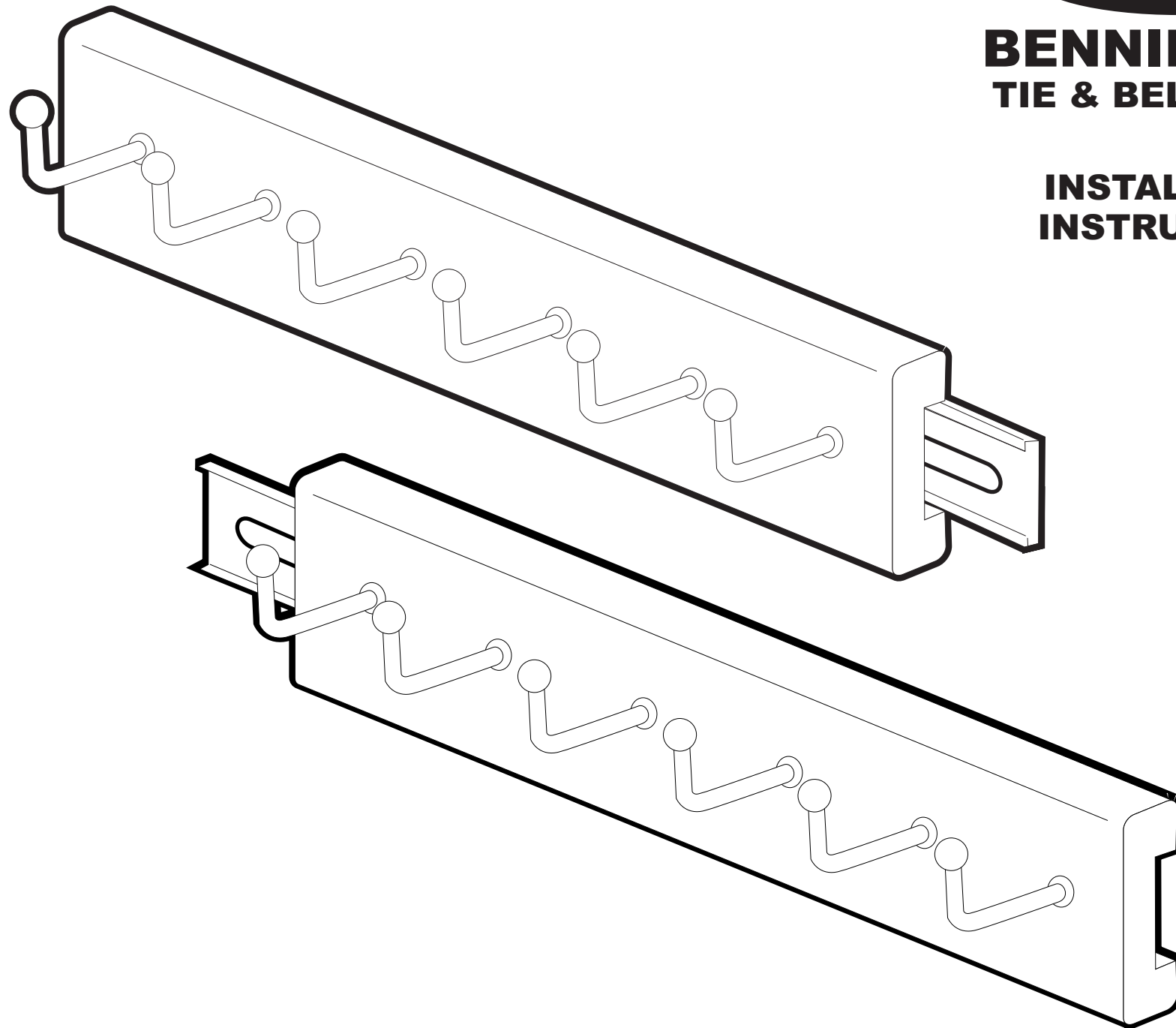


BENNINGTON TIE & BELT RACKS

INSTALLATION INSTRUCTIONS

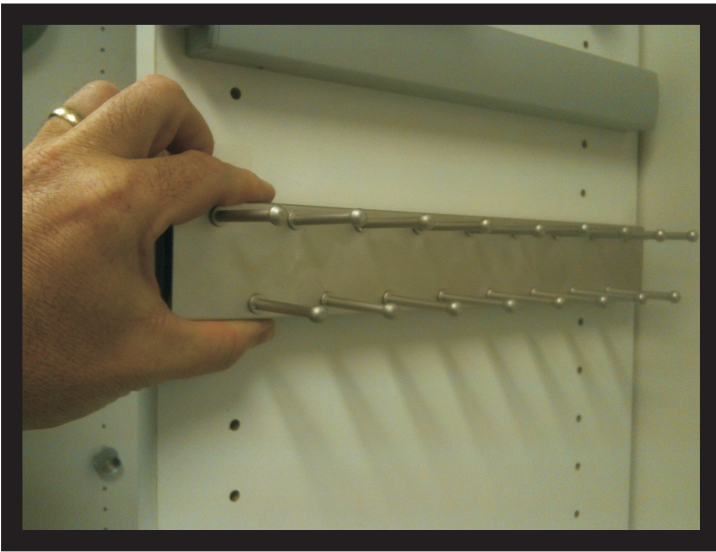




**These instructions are for left mounting.
Reverse for right mounting.**

Looking at the back of the tie rack, there are two screws holding the glide arm to the tie rack. Slightly loosen the left screw so it barely slides in the glide arm rail slot. Remove the right screw.





The tie rack will be mounted in this position.



Slide the rail out and let the tie rack hang so that the left mounting hole is under the slot on the glide arm. Insert the first mounting screw.



Slide the tie rack to the left so the right mounting slot is exposed.
Insert the right mounting screw into the slot and tighten.



On the back of the tie rack, replace the screw that was removed in the first step.



At this point the end caps can be mounted onto the ends of the tie rack, Be sure to place the curved finger grab on the outside facing end of the rack.

Slide the tie rack outward to attach the inside facing end cap.

