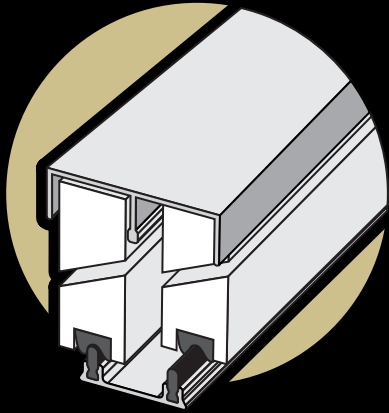




for 3/4 inch thick

TRACK ASSEMBLY No 2



glass, acrylic, pegboard,
fiber board, plywood, etc.

- Silent, smooth operation
- Economical and quick install
- High impact extruded polystyrene plastic

PACKAGE CONTAINS:

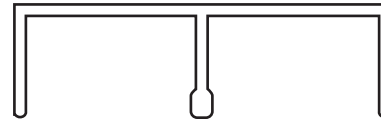
- 1pc. #48A34 upper guide
- 1pc. #821 lower track with fibre inserts
- 4pc. #1801 fibre glides screws

for 3/4 inch thick bypassing doors

www.epcohardware.com

PART IDENTIFICATION:

1 pc. #48A34 upper guide



1 pc. #821 lower track

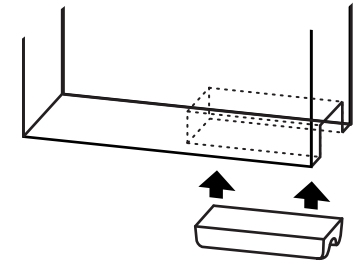


4 pc. #1801 fibre glides



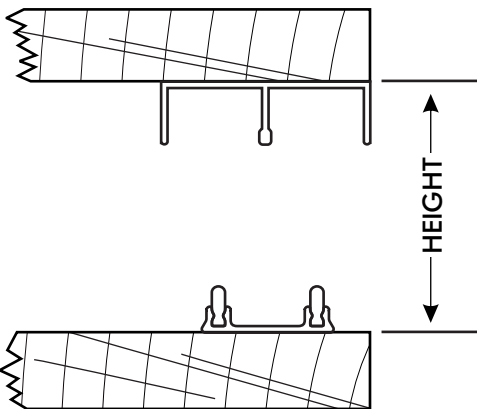
The upper guide is designed to provide a finished frame but may be covered with trim board or recessed if desired.

The panel base must be routed to accept fibre glides. Recess 5/16" to maximum 11/32"



The fibre glides are designed to mate with the fibre insert in the lower track. To get the best sliding qualities, apply a light coat of wax on fibre track twice a year.

SURFACE INSTALLATION



TO OBTAIN PANEL HEIGHT

Cut panel 5/8" less than height of finished opening.

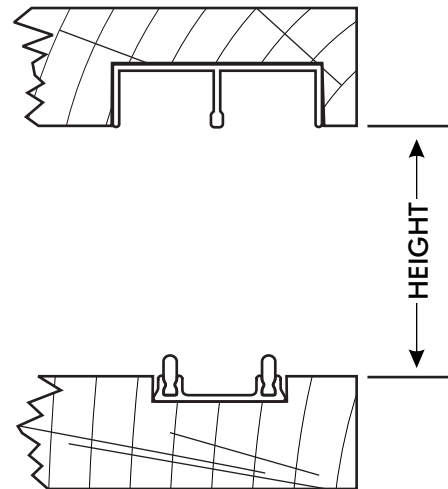
TO OBTAIN PANEL WIDTH

Add 1/2" to opening width and divide by 2 for 1/2" overlap.

Add 1" to opening width and divide by 2 for 1" overlap.

Use glue or brads to fasten track and guide to mounting surface.

RECESSED INSTALLATION



TO OBTAIN PANEL HEIGHT

For 1/4" bottom track recess, cut panel 9/32" larger than height of finished opening. Panel base must be routed to accept fibre glides.

TO OBTAIN PANEL WIDTH

Add 1/2" to opening width and divide by 2 for 1/2" overlap.

Add 1" to opening width and divide by 2 for 1" overlap.

Use glue or brads to fasten track and guide to mounting surface.