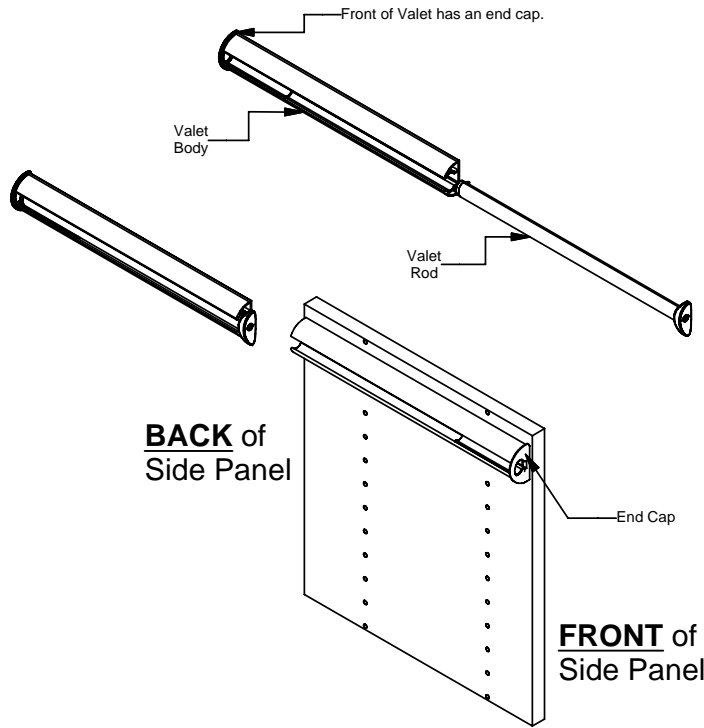
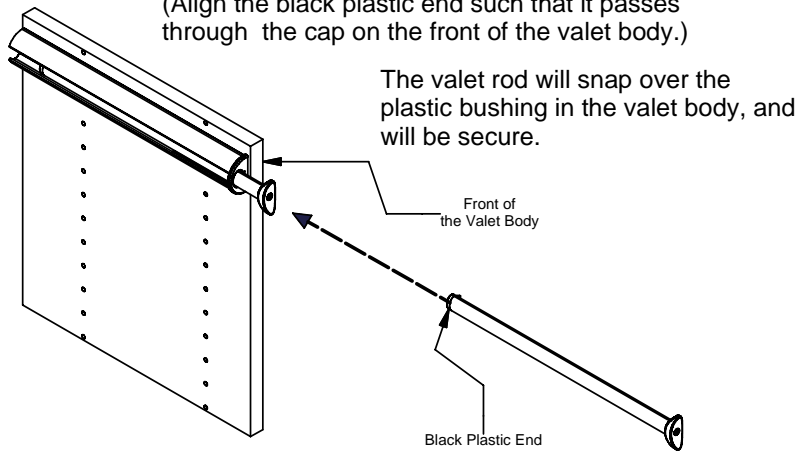


VALET Mounting Instructions

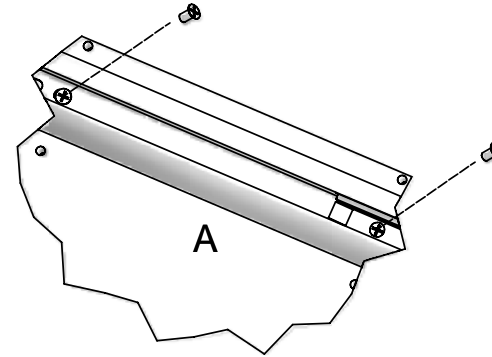
STEP 1. Pull the rod and remove it from the valet body.



STEP 3. Once the valet body has been attached, slide the valet rod into the front of the valet body. (Align the black plastic end such that it passes through the cap on the front of the valet body.)



STEP 2. The valet body is mounted to the side of the closet using Euro Screws or #8 wood screw.



STEP 4. To relocate the valet, remove the rear screw on the valet rod, remove the plastic end cap, then pass it over the plastic bushing in the body.

