



www.CENTORIOUTDOORS.com

SHARE YOUR PICTURES WITH US



#CENTORIOUTDOORS

ENJOY ULTIMATE FREEDOM

START HERE! USER MANUAL

VIDEO with installation and user guide can be found under our website



Find our video guides here

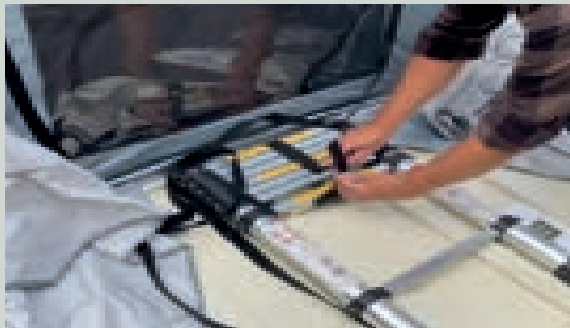
<https://centorioutdoors.com/pages/instruction-videos>

CENTORI OUTDOORS

Installation guide

1. Preparing the roof tent

- a) Unpack the tent from the transport box.
! Obs. The arrows must face upwards when unpacking.
- b) Open the tent slightly and take out the box/bag of mounting parts.



2. Mounting parts:

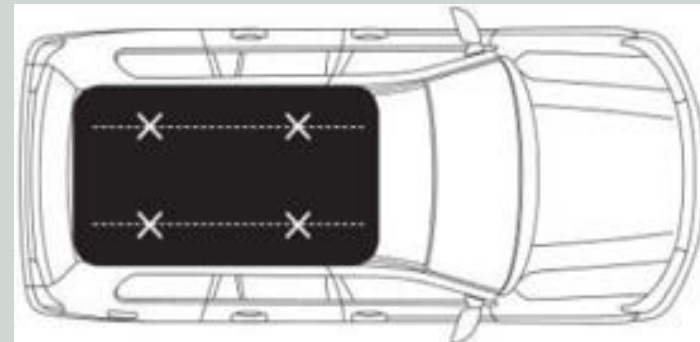
Check that all mounting parts are included in the box.



▶ Installation guide continued

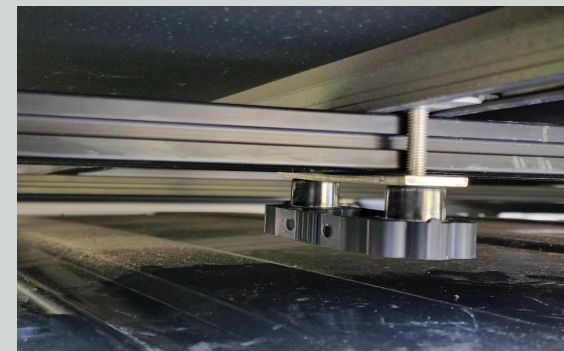
3. Position of the roof tent on the car

- a) Lift the roof tent up on your already mounted CROSS bars.
(A set of sawhorse can be used as an intermediate station).
- b) Wait to center the roof tent sideways until after point 4.
- c) The mounting points must be a minimum of 7 inches away from the edge



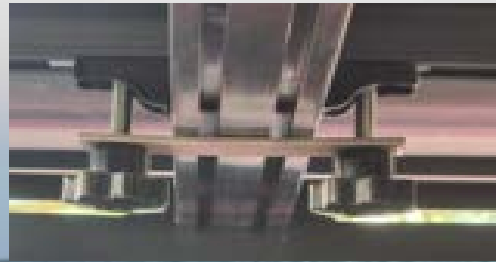
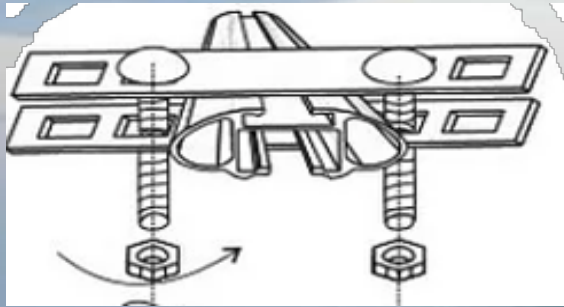
4. Fitting the bracket

- a) sliding plates with bolts on each aluminum rail from the front.
- b) Lift the roof tent evenly in the front end and push 2 pcs sliding plates into the other side of your roof bar.
(There must be 1 sliding plate with bolt on each side of your roof bars)



Installation guide continued

- c) Mount the bracket on the bolts located in the aluminum rails with the thumbscrews.
- d) Tighten well. Use work gloves for better grip. Tighten the thumbscrews regularly over time.
- e) OPTIONAL Insert the wind deflectors/RTT raiser onto the top of the aluminum rails.



! IMPORTANT:

Tighten the thumbscrews and check regularly that they are securely tightened.

If it is possible to mount an 8mm locking bolt or an anti-theft locking bolt under the thumbscrew.

The 4 mounting points must be a minimum of 7 inches away from the rail edge

User Manual:

1. Open the lock/buckles

- a) Open the lock & buckles by pressing the button with one hand and pulling out the rubber strap with the other hand.



2. Open the hardshell

- a) Place your hand on the center of the hardshell side and press quietly upwards. The gas shock absorbers then take over and open the tent automatically.



3. Pull out the ladder

- a) Raise the ladder slightly and pull it fully backwards in full length.
- b) It is very important that the ladder has said "click" in all joints, as they are thereby locked. Therefore, pull back an extra time to ensure this.



▷ User Manual continued

4. Open the tent

- a) Position yourself on the side of the ladder.
- b) Place one hand on the bottom of the ladder and press down on this, which will open the tent to vertical.
- c) Use the other hand to pull outwards at the top of the ladder, which opens the tent completely up.
- d) The ladder is lifted all the way back so that the tent now hangs freely in a horizontal position



5. Adjust the ladder

- a) It is very important to adjust the ladder correctly as it carries the part of the roof tent that hangs over the side of the car.
- b) When the ladder is fully extended, you start from the top of the ladder by adjusting one joint at a time.
- c) Click with one hand in each side on the top buttons on the ladder and lift up. Then the next step, etc. until the ladder is the correct length.
- d) The angle of the ladder should be slightly sloping so that it is easier to climb up and down but there is still full support.
! IMPORTANT: The ladder must be fully supported on the top step. The tent must NOT be able to move up and down.
- e) It is recommended to mount a storm protection strap on the tent from the top step of the ladder and down to the car's wheels, as this secures the tent.



▶ User Manual continued

6. Fit the rainfly

- a) Use the 2 long rods for the upper rainfly.
- b) Bend the rod up against the rainfly and mount the rod on the rainfly. Do not be afraid to bend the rod.

7. Window Awning

There are two options for setting up the side windows.

- a) For everyday use: Roll up the window overhang and fasten with the 2 buckles.
- b) In case of rain and wind: Mount the overhang with the short poles in the same way as the long rainfly poles.



8. Flex tent cloth

Make sure that the flex fabric where the tent folds in the sides is correctly mounted inside and outside with the small elastic straps from side to side.



▶ User Manual

Awning and Annex

- a. The awning or annex is zipped on the rainfly by the roof tent entry.
- b. For the Annex mount the 3ps Velcro straps underneath the tent floor.
- c. Set up the telescopic poles
- d. Set up ropes and pegs.
- e. Make sure that the small tentcloth overlay at the zipper between the roof tent and the awning / annex is mounted correctly so that the zipper is hidden from the weather and wind.





BAD WEATHER PROTECTION



Aaron Adventures

BAD WEATHER PROTECTION

- Always mount a storm protection / tent protection pole especially in rain and wind, so that the tent is properly tensioned.
- Make sure that the flex fabric where the tent folds in the sides is correctly mounted inside and outside with the small elastic straps from side to side.
- If your tent is wet when it is to be packed, dry the tent cloth for the worst water, then close all openings in the tent and fold the tent together.
Always remember to open the tent for drying when you get home.
- Always watch our tips and tricks videos and get good advice about correct setup



WATER PROOF AND FOUR SEASON TENT

- The tent is treated with water-protective coating. At a later point you can apply a new coating if needed .
 - The first time the tent gets wet, all seams expand and the tent becomes waterproof after this. Therefore, do not be nervous if a little water comes in the first time. You can advantageously take a water hose and make all external seams wet manually.
- Always mount a storm protection / tent protection strap when using the tent, and especially in rain and wind, so that the tent is properly tensioned.
- Make sure that the flex fabric where the tent folds in the sides is correctly mounted inside and outside with the small elastic straps from side to side.
 - If your tent is wet when it is to be packed, dry the tent cloth for the worst water, then close all openings in the tent and fold the tent together. Always remember to open the tent for drying when you get home.
 - In snow and extreme rain, the supplied snow/rain safety pole can be fitted if needed.
 - Always watch our tips and tricks video and get good advice about correct setup

Waterproofing and four season fabric





GENERAL INFO

Never use fire inside or near a roof tent.
Never block the exit and always have a fire
extinguisher

nearby.

Max speed 100km / h.

Max tent load weight 600 lbs.

It is YOUR responsibility that your car and roof racks
are suitable for the roof tent.

