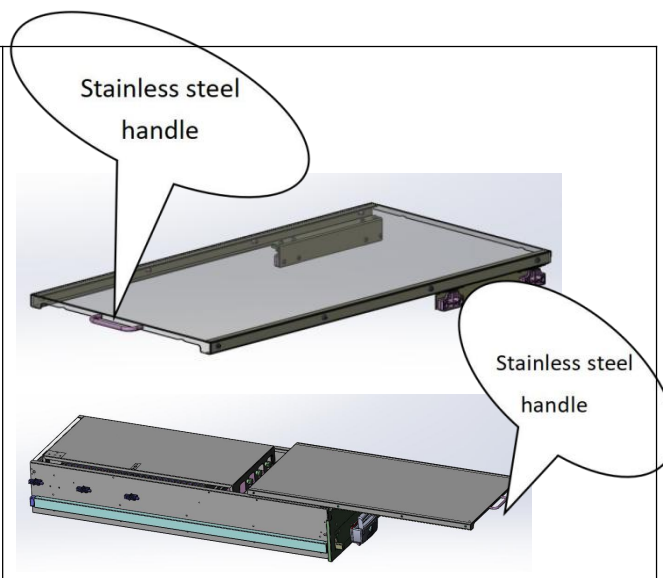


Operation Manual of Rotate Stoves System

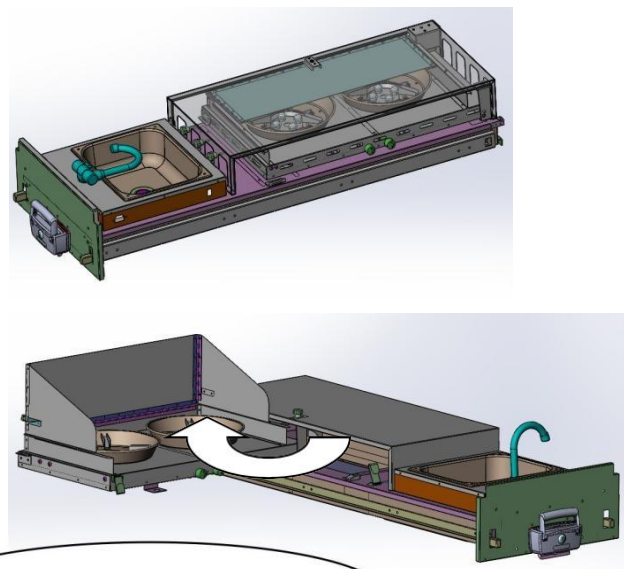
1.A1400 System divided into three parts:

1: Slide table plate (Stainless steel) as figure
 1-1 : Open the stove table, hold the stainless steel handle with your hand and pull it out to open it.
 1-2 : Close the stove table, hold the stainless steel handle by hand and push it in to close it.



1-2: Stove-body unit as figure

The stove can only rotate to the left.

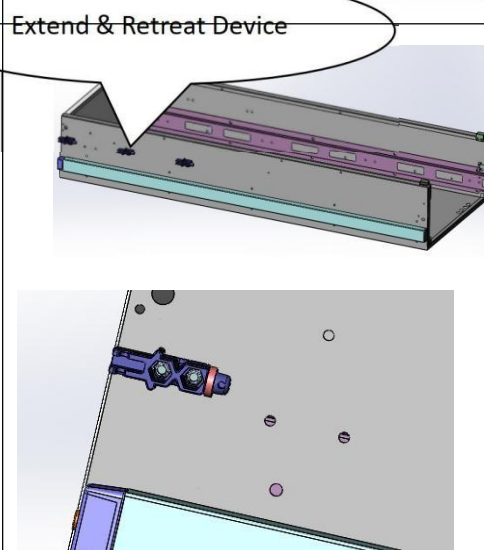


1-3: The fixing frame for stove unit, as figure

1. Figure (1) is a schematic diagram of the extend and retreat devices.

2. The extend and retreat device is a device that controls the forward and backward movement of the stove-body unit. The device has three gears, which are displayed on the installation of the body. It is recommended to pull out gears 1-2 when using the system. Gear 3 should be used first under special conditions.

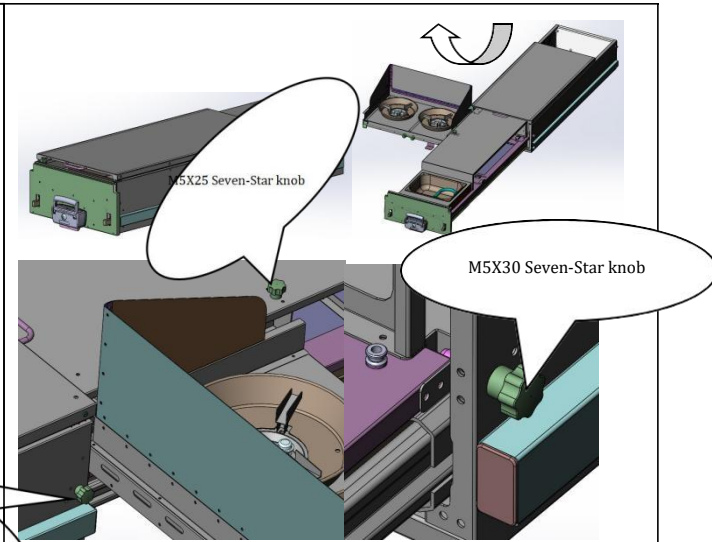
3. In the entire storage frame of the unit, the extend & retreat devices can only be pushed forward using external force



2: Schematic diagram of stove closing:

2-1: Schematic diagram of stove closing / opening:

1. When the stove is rotated and opened, the (2) M5X25MM Seven-Star knob in the figure shall be tightened.
2. When the main body of the stove is opened, the (3-4) M5X30MM Seven Star knob in the figure shall be tightened. When it is retracted, the Seven Star knob shall be twisted down, and the main body of the stove can be pushed in. The placement position of the Seven Star knob is shown in Item 4 of the installation manual.

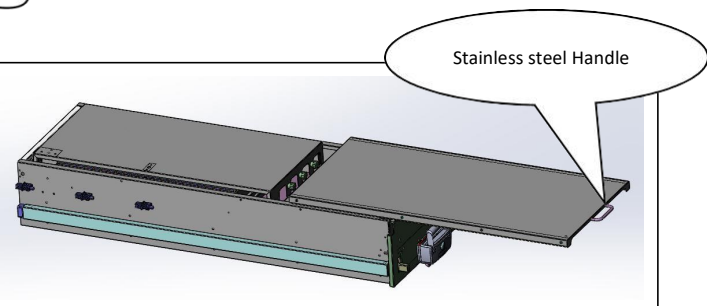


3: Schematic diagram of kitchen table opening:

3-1: Opening diagram of stove table

3-2: Open the stove table, grasp the stainless steel handle by hand and pull it out

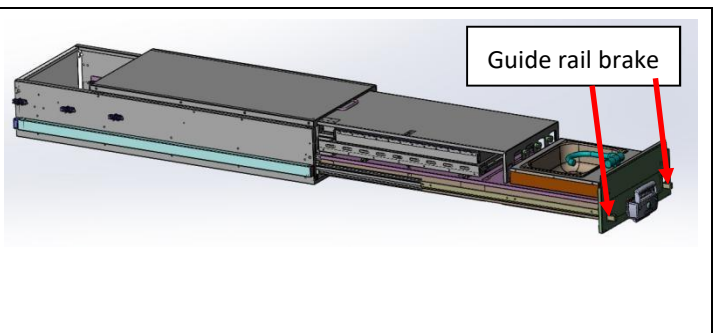
3-3: Close the stove table, grasp the stainless steel handle by hand and push it inward



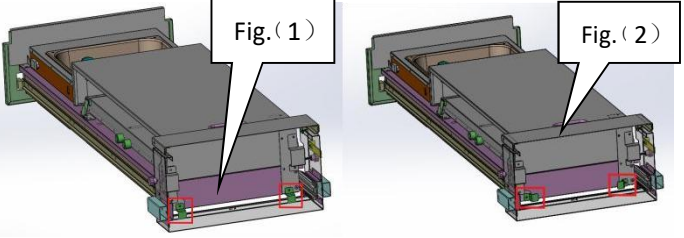
4: Schematic diagram of stove opening:

4-1: Open the stove, grasp the guide rail brake with both hands, gently lift it up, pull it out smoothly, pull it to the stop, and release both hands. (this guide rail has an anti pull-out and anti retreat device).


4-2: Close the stove, first open the pull rod of the extent and retreat device, push the fixed frame of the stove, then grasp the guide rail brake with both hands, gently lift it up, push it inward, push it to the stop position, and release both hands




5: Schematic diagram of stopper when the entire body dismantle and pull out:

<p>5-1:Figure 1 shows the stove stopper (vertical). When the stopper is perpendicular to the stove, the main body cannot be pulled out.</p> <p>5-2:Figure 2 shows the stove stopper (horizontal). The main body can be pulled out only when the stopper is horizontal to the stove.</p> <p>5-3:First rotate the stop to the horizontal, then grasp the guide rail brake with both hands, press it down gently, and pull it out smoothly. The whole stove can be pulled out.</p>	
---	--

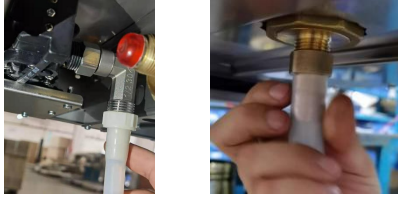
6: Connect butane gas / coal gas as shown in the figure:

<p>6-1 : Fig.1 connected to round tank butane gas</p> <p>6-2 : Fig. 2 connection to butane gas in round high tank (adapter to be added, as shown in the figure)</p> <p>6-3 : Fig. 3 connection to gas tank</p>	
--	--

7: Motor governor / power socket / power switch / igniter:

<p>7-1: Fig.1Motor Governor</p> <p>7-2: Fig.2 Power Socket</p> <p>7-3: Fig.3 Power Switch</p> <p>7-4: Fig.4 Igniter</p>	
---	---

8Waterpipe inlet / outlet interface diagram:

<p>8-1: Fig.1 Inlet pipe</p> <p>8-2: Fig.2 Outlet pipe</p>	
--	--



9: Stove parts:

<p>1-1 Wind Deflector</p>	
<p>1-2 Butane gas switch</p>	
<p>1-3 Five star stove</p>	
<p>1-4 Water Faucet</p>	

1-5 Pumping Motor	
1-6 Motor governor	
1-7 Butane and natural gas joint(connecter)	
1-8 Inlet pipe	
1-9 Outlet Pipe	
1-10 Anti slip stoper	
1-11 Butane tank base	
1-12 Power cord 5m	
1-13 Motor power switch	
1-14 Igniter device hammer	
1-15 Prompt flag	
1-16 Drawer stoper (Extend & Retreat device)	

1-1 : Parts including above

2-1: (1) pull out the mobile kitchen: 2: open the wind shield and fix it; 3: install the butane gas or natural gas tank; 4: adjust the water inlet pipe; 5: install the water outlet pipe; 6: plug in the vehicle power supply; 7: Cook / fry / fry / fry after doing the above; 8: prompt (if the motor is turned off, turn off the power source or turn off the faucet directly, and the motor will stop).

3-1: (close the mobile kitchen and close it step by step according to the above steps)  Note: drain the water left by the water pipe and faucet. If not, the water left will be left on the car. ,  记得用完 Remember to put away the stove after use. Be sure to remove butane gas and natural gas, and remember to turn off the gas switch.



Remember to remove the butane gas / natural gas tank / water inlet / outlet pipe after use!

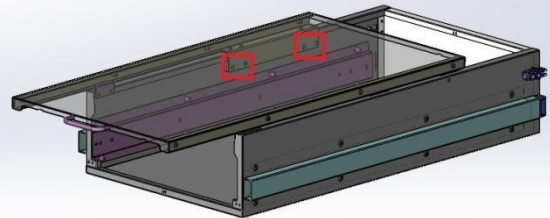
TRAY TABLE INSTALLATION

1. Plastic Part Installation

Fasten the four (4) plastic parts into the tray table by using eight (8) M5 × 12 mm cross recessed flat head screws.



Two (2) plastic parts on each side of the tray table.

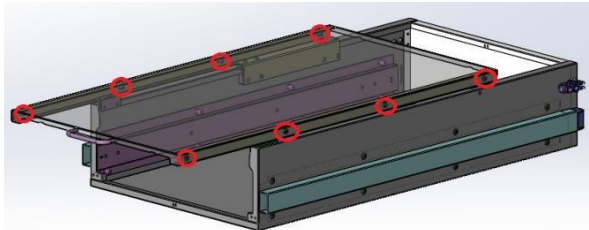


2. Screws Installation

Bolt eight (8) M5 × 12 mm cross recessed flat head screws onto the tray table.



Four (4) screws on each side of the tray table .



KITCHEN SYSTEM INSTALLATION

1. Plastic Part Installation

Install a track at the bottom of the system, and then secure it to the car's undercarriage with screws. Some cars come with pre-existing holes, while others may require drilling new ones.

