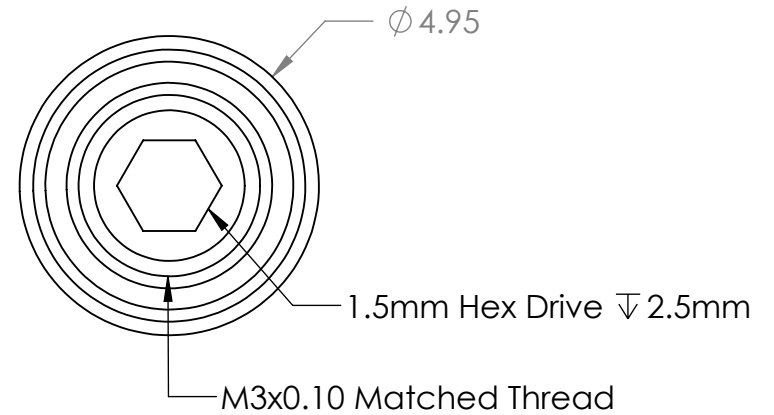
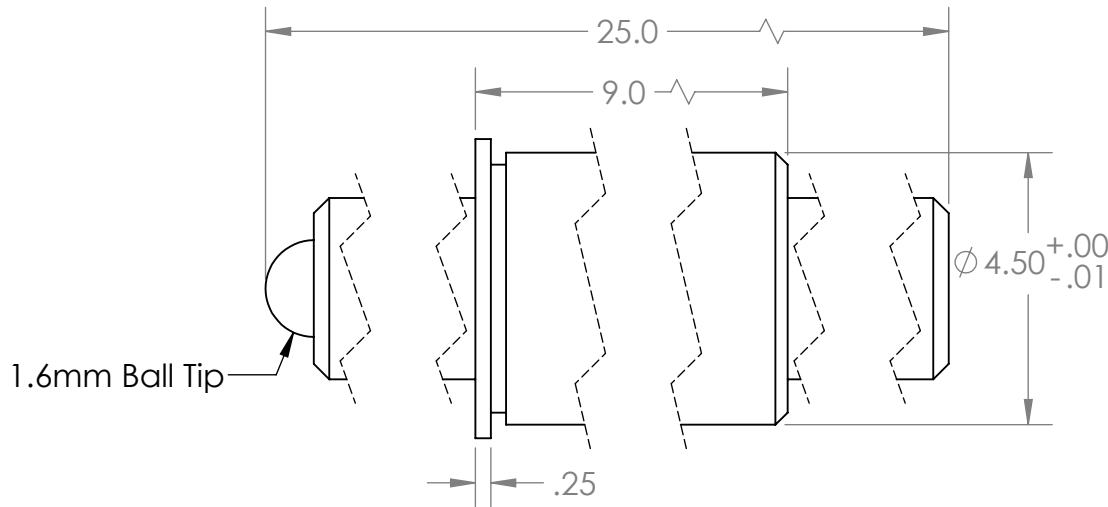


Scale: 4:1



**PROPRIETARY AND CONFIDENTIAL**  
 THE INFORMATION CONTAINED IN THIS DRAWING IS THE SOLE PROPERTY OF KOZAK MICRO ADJUSTERS. ANY REPRODUCTION IN PART OR AS A WHOLE WITHOUT THE WRITTEN PERMISSION OF KOZAK MICRO ADJUSTERS IS PROHIBITED.

		UNLESS OTHERWISE SPECIFIED:		NAME	DATE	Kozak Micro Adjusters					
		DIMENSIONS ARE IN MILLIMETERS	DRAWN	D.K.	10.09.12			TITLE: M3-0.10 x 25.0mm Adj. Screw & 9.0mm Adj. Bushing			
		TOLERANCES:	CHECKED	D.K.	10.24.12	SIZE DWG. NO. REV <b>A</b> TSBM3-10-25/9 <b>A</b>					
		FRACTIONAL ±	ENG APPR.	D.K.	10.26.12					SCALE: 8:1 WEIGHT: SHEET 1 OF 1	
		ANGULAR: MACH ± BEND ±	MFG APPR.	G.K.	11.12.12						
		ONE PLACE DECIMAL ±.1	Q.A.								
		TWO PLACE DECIMAL ±.01	COMMENTS:								
		INTERPRET GEOMETRIC TOLERANCING PER:									
		MATERIAL									
		303 SS & 360 Brass									
		FINISH									
NEXT ASSY	USED ON										
APPLICATION		DO NOT SCALE DRAWING									

5

4

3

2

1