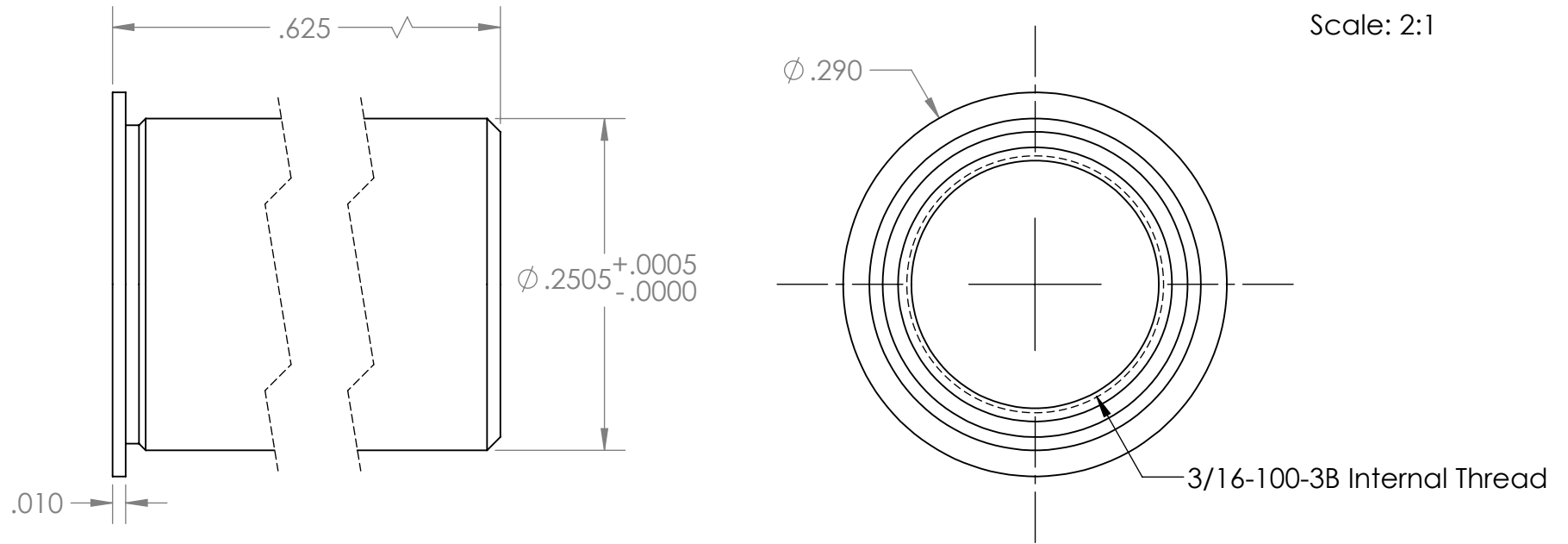


Scale: 2:1



**PROPRIETARY AND CONFIDENTIAL**  
 THE INFORMATION CONTAINED IN THIS DRAWING IS THE SOLE PROPERTY OF KOZAK MICRO ADJUSTERS. ANY REPRODUCTION IN PART OR AS A WHOLE WITHOUT THE WRITTEN PERMISSION OF KOZAK MICRO ADJUSTERS IS PROHIBITED.

		UNLESS OTHERWISE SPECIFIED:		NAME	DATE	Kozak Micro Adjusters			
		DIMENSIONS ARE IN INCHES		DRAWN	D.K.	10.09.12	TITLE: 3/16-100 x 0.625" Adj. Bushing		
		TOLERANCES:		CHECKED	D.K.	10.24.12			
		FRACTIONAL $\pm 1/64$		ENG APPR.	D.K.	10.26.12			
		ANGULAR: MACH $\pm$ BEND $\pm$		MFG APPR.	G.K.	11.12.12			
		TWO PLACE DECIMAL $\pm .01$		Q.A.			SIZE DWG. NO. REV <b>A</b> TB187-100-625-P <b>A</b>		
		THREE PLACE DECIMAL $\pm .005$		COMMENTS:					
		INTERPRET GEOMETRIC TOLERANCING PER:					SCALE: 8:1 WEIGHT: SHEET 1 OF 1		
		MATERIAL							
		510 Phosphor Bronze							
		FINISH							
NEXT ASSY	USED ON								
APPLICATION		DO NOT SCALE DRAWING							

5

4

3

2

1