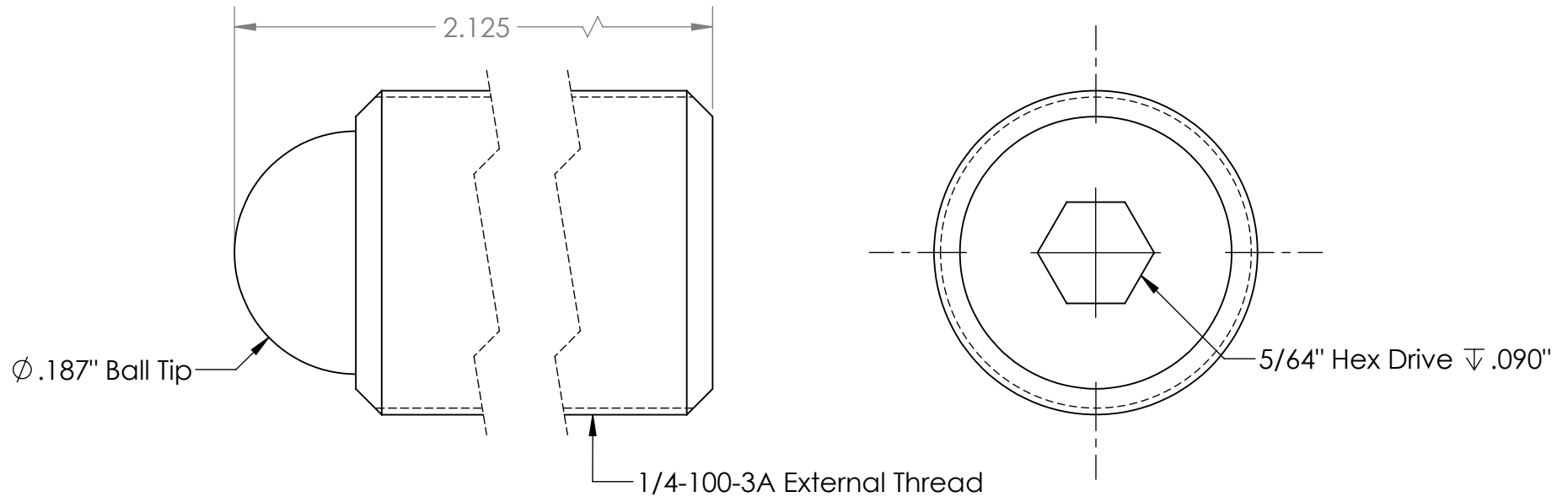


Scale: 3:2



PROPRIETARY AND CONFIDENTIAL
 THE INFORMATION CONTAINED IN THIS DRAWING IS THE SOLE PROPERTY OF KOZAK MICRO ADJUSTERS. ANY REPRODUCTION IN PART OR AS A WHOLE WITHOUT THE WRITTEN PERMISSION OF KOZAK MICRO ADJUSTERS IS PROHIBITED.

		UNLESS OTHERWISE SPECIFIED:	NAME	DATE	Kozak Micro Adjusters			
		DIMENSIONS ARE IN INCHES TOLERANCES: FRACTIONAL ±1/64 ANGULAR: MACH ± BEND ± TWO PLACE DECIMAL ±.01 THREE PLACE DECIMAL ±.005	DRAWN	D.K.			10.09.12	
		INTERPRET GEOMETRIC TOLERANCING PER:	CHECKED	D.K.	10.24.12	TITLE: 1/4-100 x 2.125" Adj. Screw		
		MATERIAL 303 Stainless Steel	ENG APPR.	D.K.	10.26.12			
		FINISH	MFG APPR.	G.K.	11.12.12			
NEXT ASSY	USED ON		Q.A.			SIZE	DWG. NO.	REV
APPLICATION		DO NOT SCALE DRAWING	COMMENTS:			A	TS250-100-2125-AA	A
			SCALE: 8:1	WEIGHT:	SHEET 1 OF 1			

5

4

3

2

1