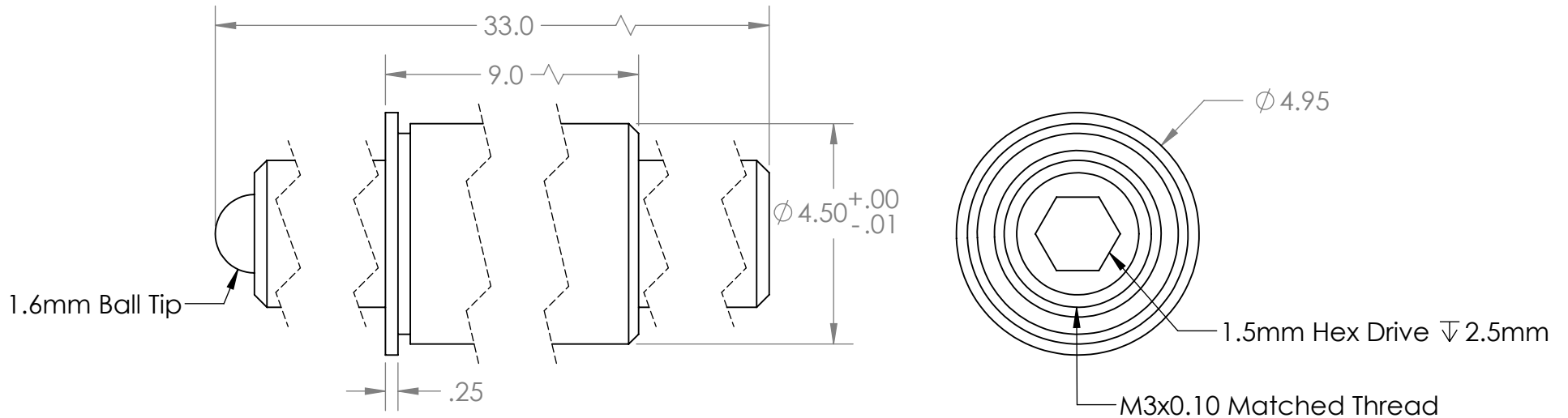


Scale: 2:1



**PROPRIETARY AND CONFIDENTIAL**  
 THE INFORMATION CONTAINED IN THIS DRAWING IS THE SOLE PROPERTY OF KOZAK MICRO ADJUSTERS. ANY REPRODUCTION IN PART OR AS A WHOLE WITHOUT THE WRITTEN PERMISSION OF KOZAK MICRO ADJUSTERS IS PROHIBITED.

		UNLESS OTHERWISE SPECIFIED:		NAME	DATE	Kozak Micro Adjusters		
		DIMENSIONS ARE IN MILLIMETERS	DRAWN	D.K.	10.09.12			
		TOLERANCES:	CHECKED	D.K.	10.24.12	SIZE DWG. NO. REV <b>A</b> TSBM3-10-33/9 <b>A</b>		
		FRACTIONAL ±	ENG APPR.	D.K.	10.26.12			
		ANGULAR: MACH ± BEND ±	MFG APPR.	G.K.	11.12.12	Q.A. COMMENTS:		
		ONE PLACE DECIMAL ±.1						
		TWO PLACE DECIMAL ±.01				MATERIAL 303 SS & 360 Brass		
		INTERPRET GEOMETRIC TOLERANCING PER:						